

COMPREHENSIVE SERVICES

We offer competitive repair and calibration services, as well as easily accessible documentation and free downloadable resources.

SELL YOUR SURPLUS

We buy new, used, decommissioned, and surplus parts from every NI series. We work out the best solution to suit your individual needs.

 Sell For Cash  Get Credit  Receive a Trade-In Deal

OBSOLETE NI HARDWARE IN STOCK & READY TO SHIP

We stock **New**, **New Surplus**, **Refurbished**, and **Reconditioned** NI Hardware.



Bridging the gap between the manufacturer and your legacy test system.

 1-800-915-6216

 www.apexwaves.com

 sales@apexwaves.com

All trademarks, brands, and brand names are the property of their respective owners.

Request a Quote

 **CLICK HERE**

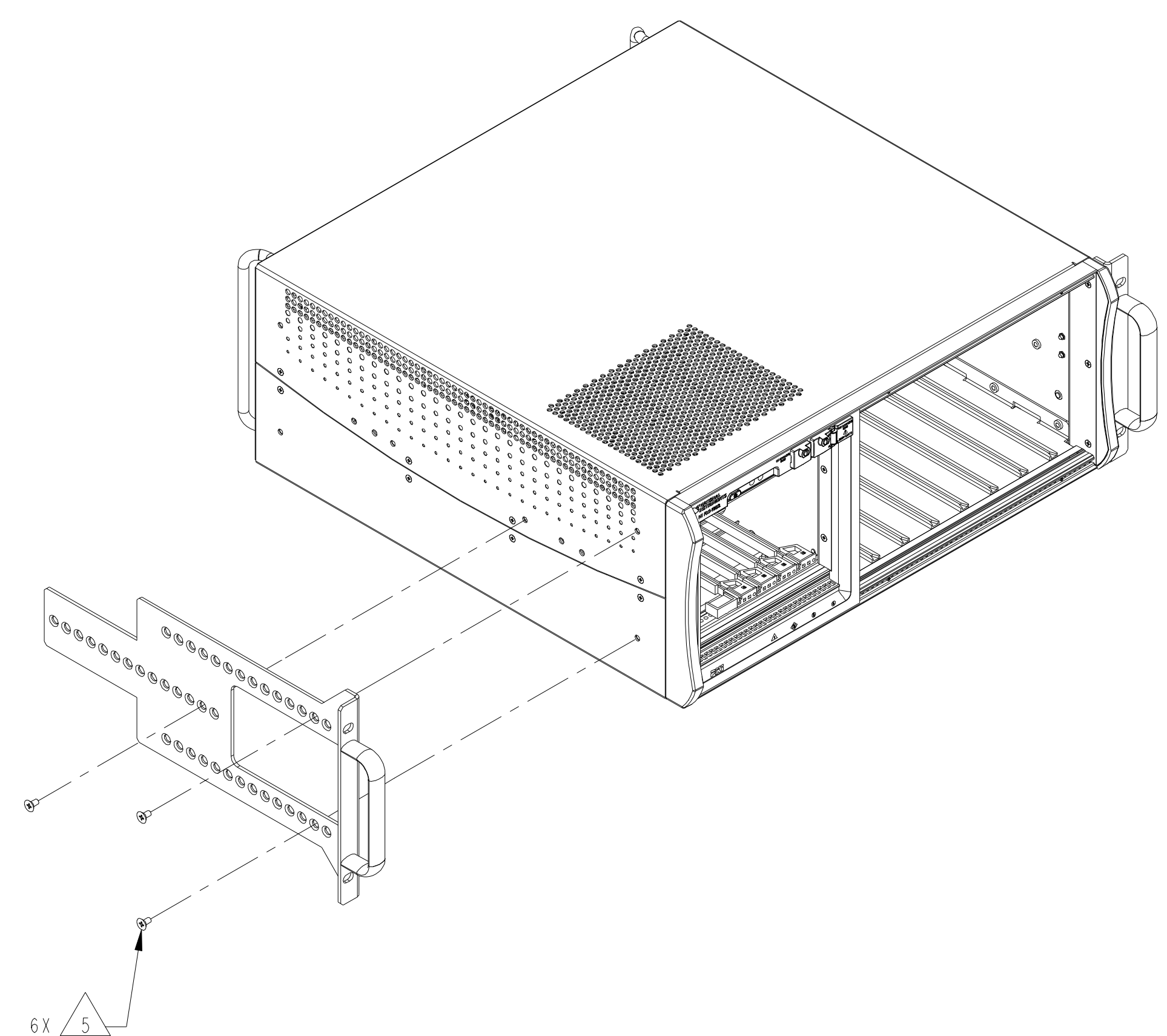
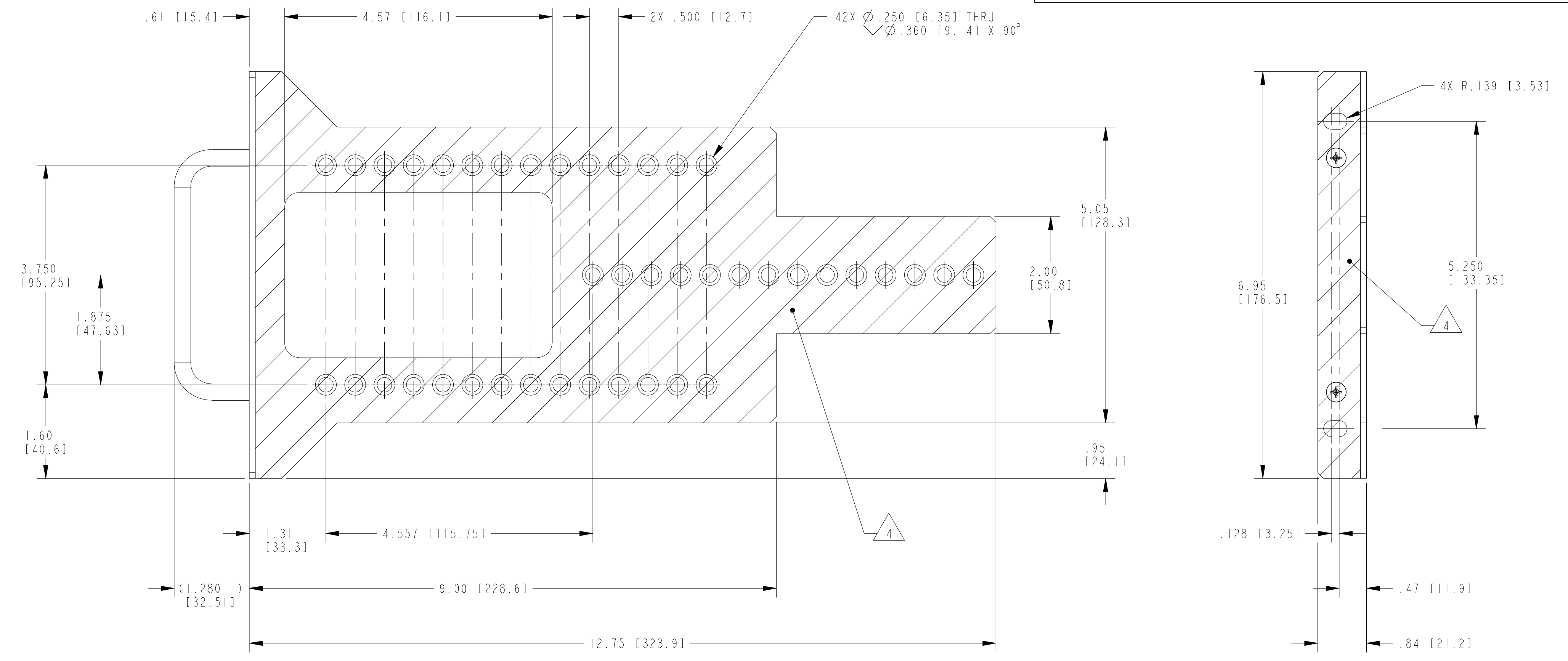
PXI-1052

This document contains confidential and proprietary information which is the property of National Instruments Corporation. This proprietary information is supplied to the possessor pursuant to the possessor's agreement to do the following:

1. to maintain this document in confidence;
2. not to reproduce, publish or copy it in whole or in part without written permission; and
3. not to use this document as a basis for the manufacture or sale of goods without written permission.

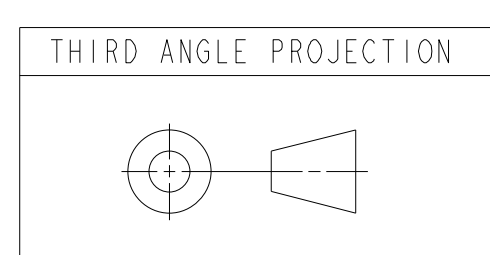
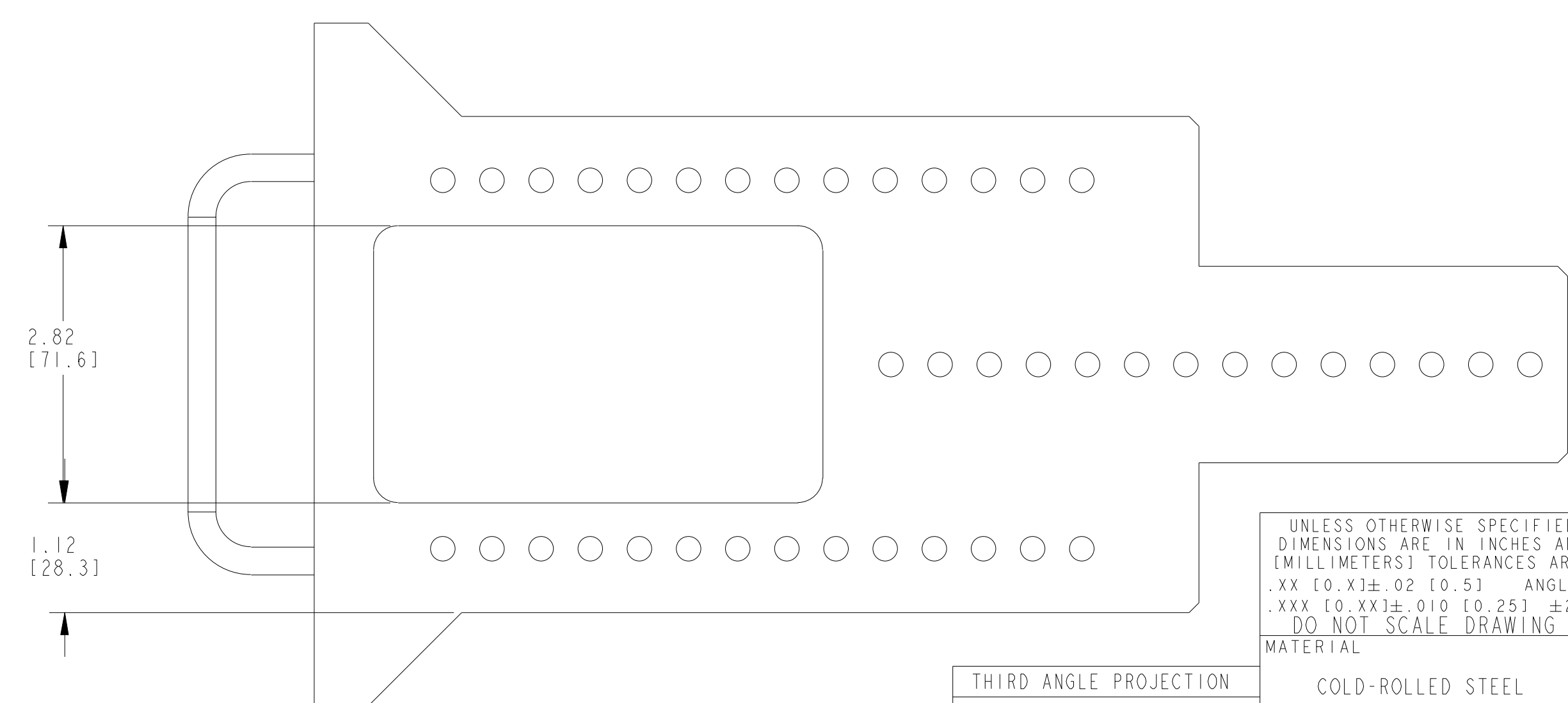
© COPYRIGHT 2004
NATIONAL INSTRUMENTS CORPORATION. ALL RIGHTS RESERVED.

REVISION HISTORY IS CONTROLLED IN AN ELECTRONIC DATABASE. CONTACT NI FOR REVISION DETAILS IF NEEDED.



INSTALLATION DETAIL
SCALE: 3/10

- 5 MOUNTING HARDWARE PROVIDED WITH RACK MOUNT KIT.
 - 4 HATCHED AREA SHALL BE KEPT FREE FROM PAINT.
 - 3 ALL SURFACES PAINTED NI WHITE.
 - 2 NICKEL PLATED PRIOR TO PAINTING.
1. DIMENSION IN () ARE FOR REFERENCE ONLY.
NOTES: UNLESS OTHERWISE SPECIFIED.



UNLESS OTHERWISE SPECIFIED, DIMENSIONS ARE IN INCHES AND [MILLIMETERS] TOLERANCES ARE: .XX [0.X] ± .02 [0.5] ANGLES: .XXX [0.XX] ± .010 [0.25] ± 2° DO NOT SCALE DRAWING	
MATERIAL	COLD-ROLLED STEEL
FINISH	2 3 4

DESIGN TEAM	
DRAWN	J. TALBOTT
CHECKER	V. TOTTH
DATE	2/26/04

NATIONAL INSTRUMENTS®		AUSTIN, TEXAS	
TITLE			
FRONT RACK MOUNT KIT, PXI-1052			
SIZE	CODE	IDENT NO.	DRAWING NO.
D	7U296		CD_190943-01
SCALE:	4/5	SHEET 1 OF 1	

CD_190943-01

CUSTOMER DRAWING