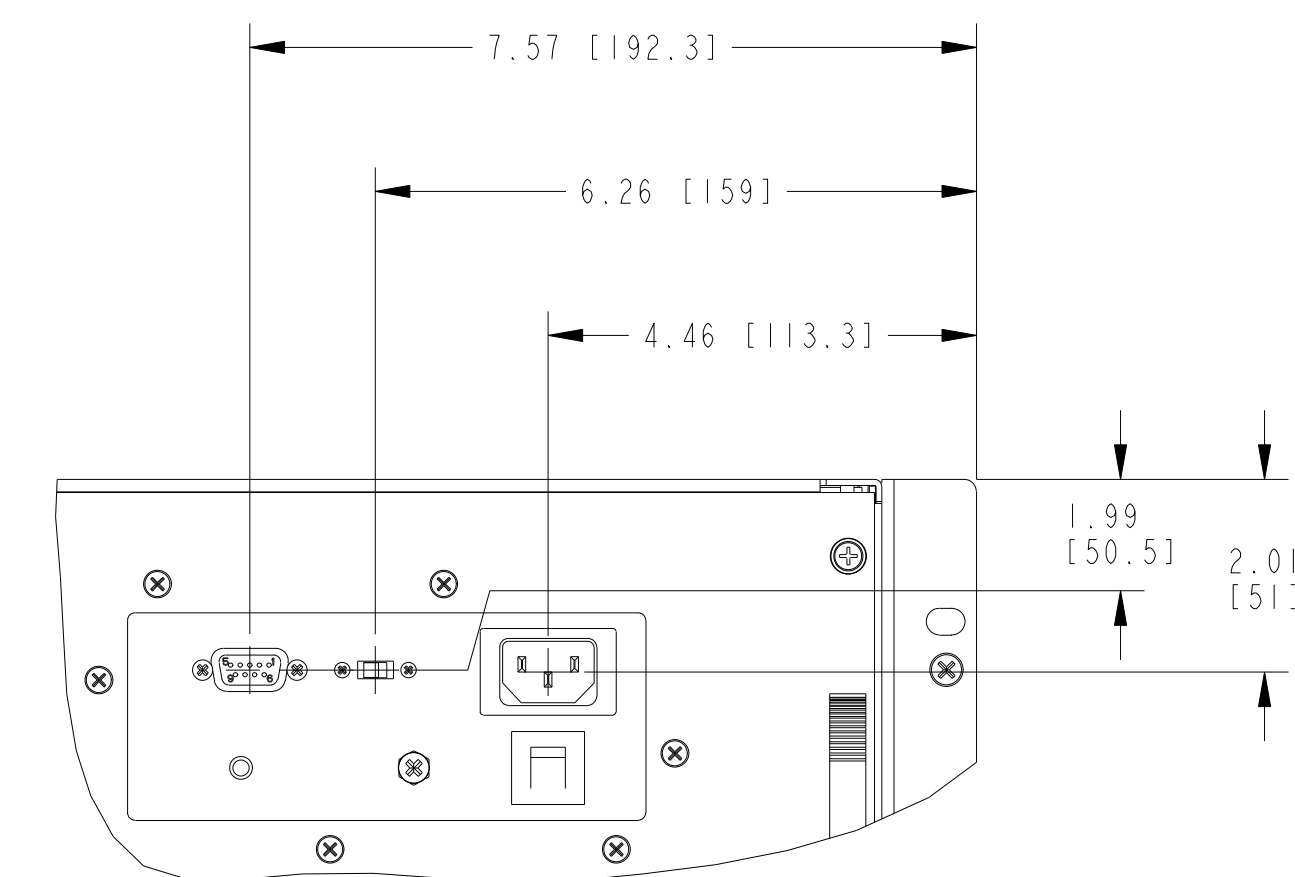
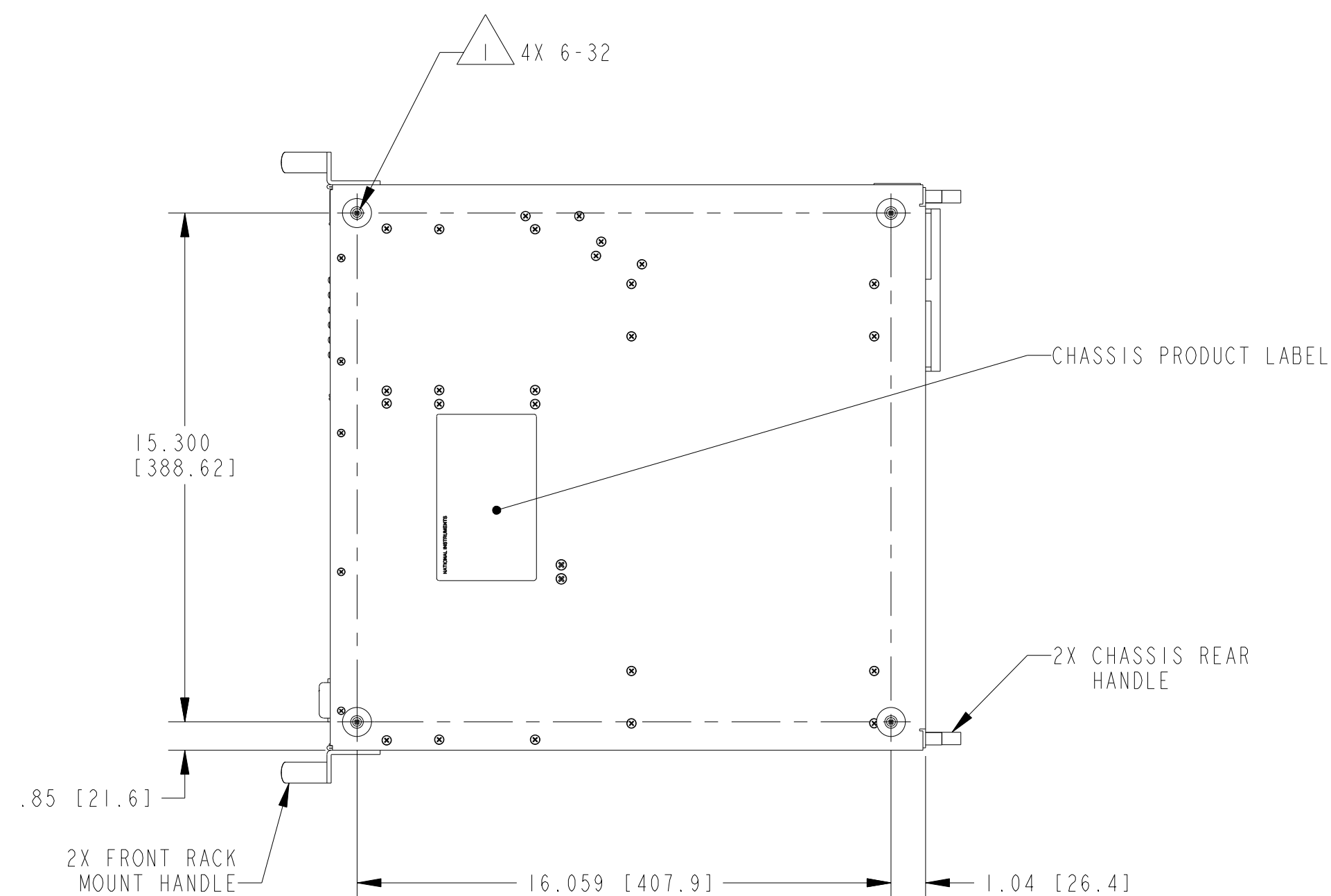


DETAIL A
 SCALE 1/1

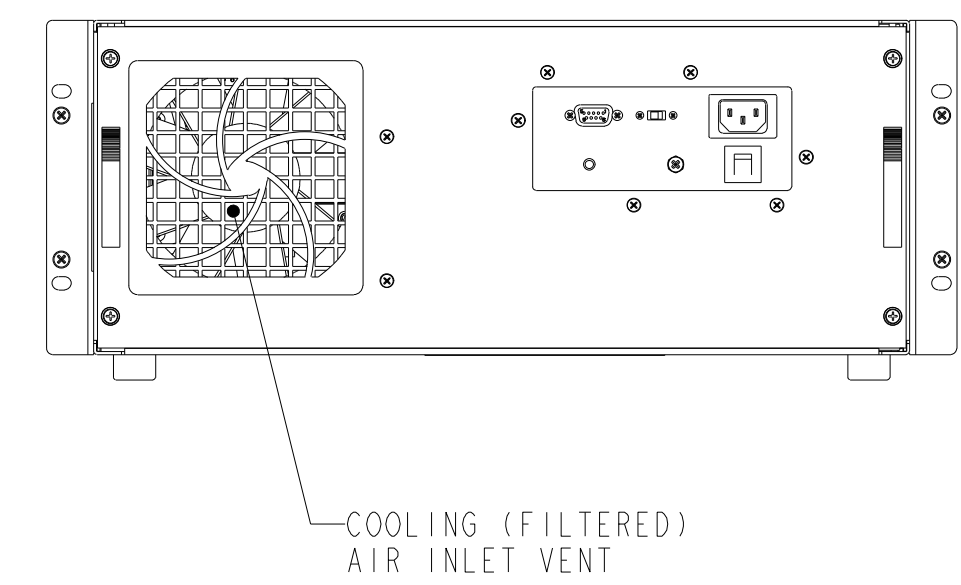
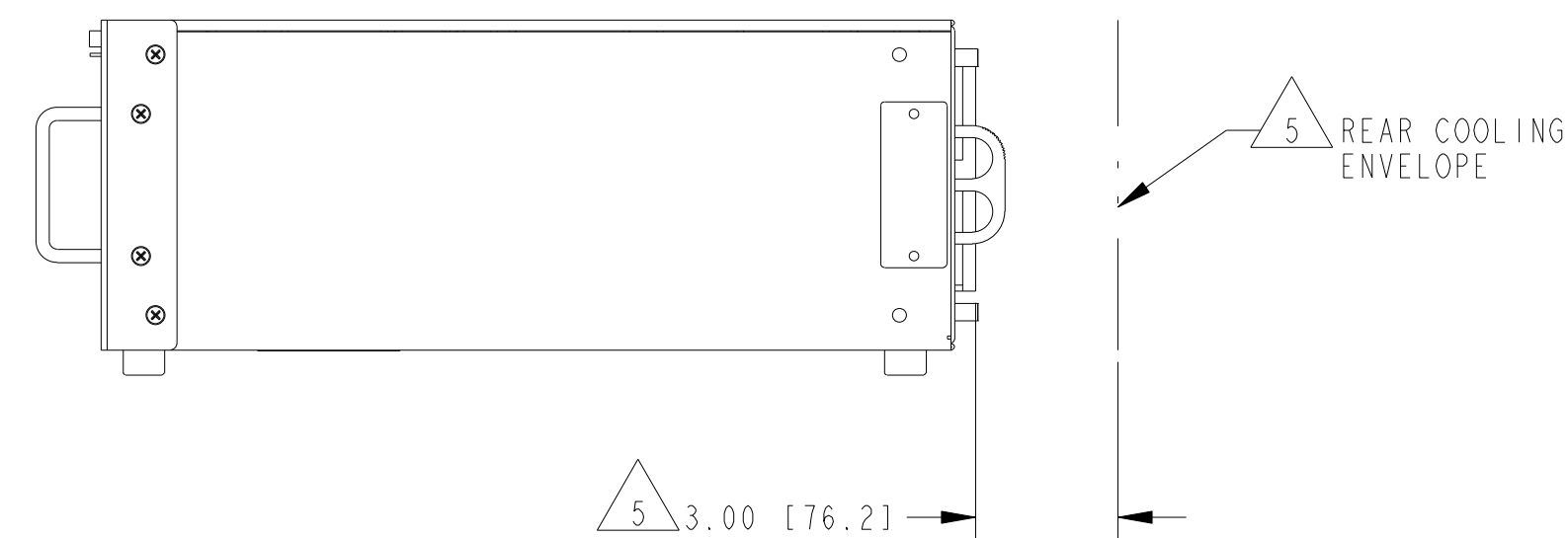
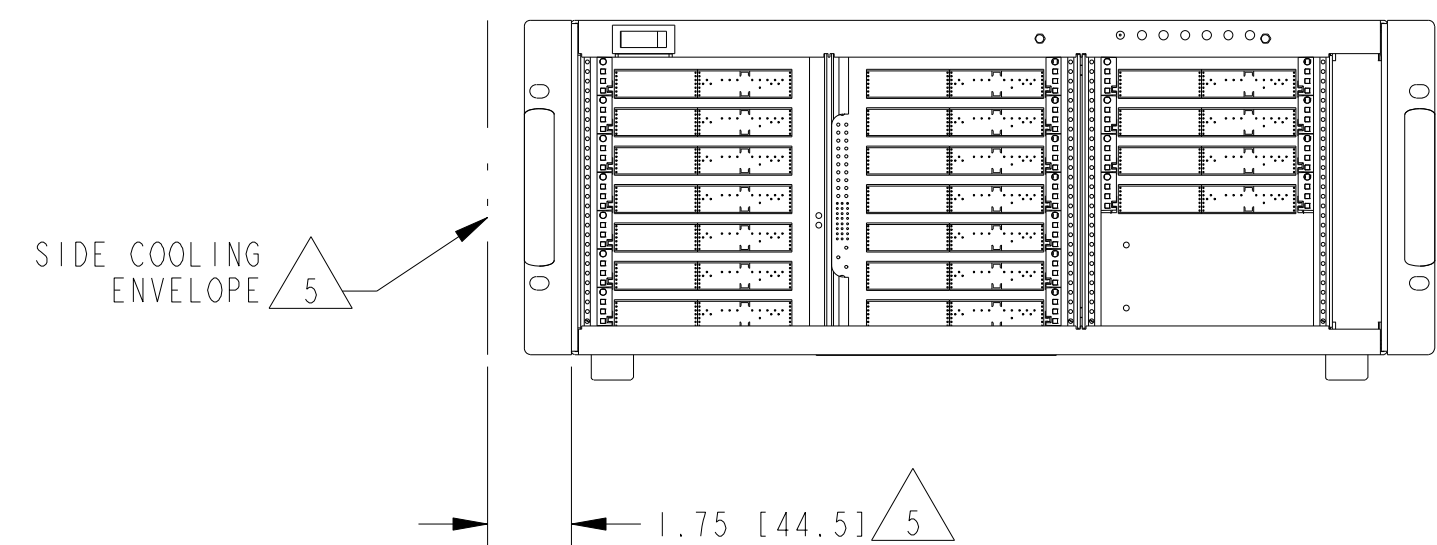
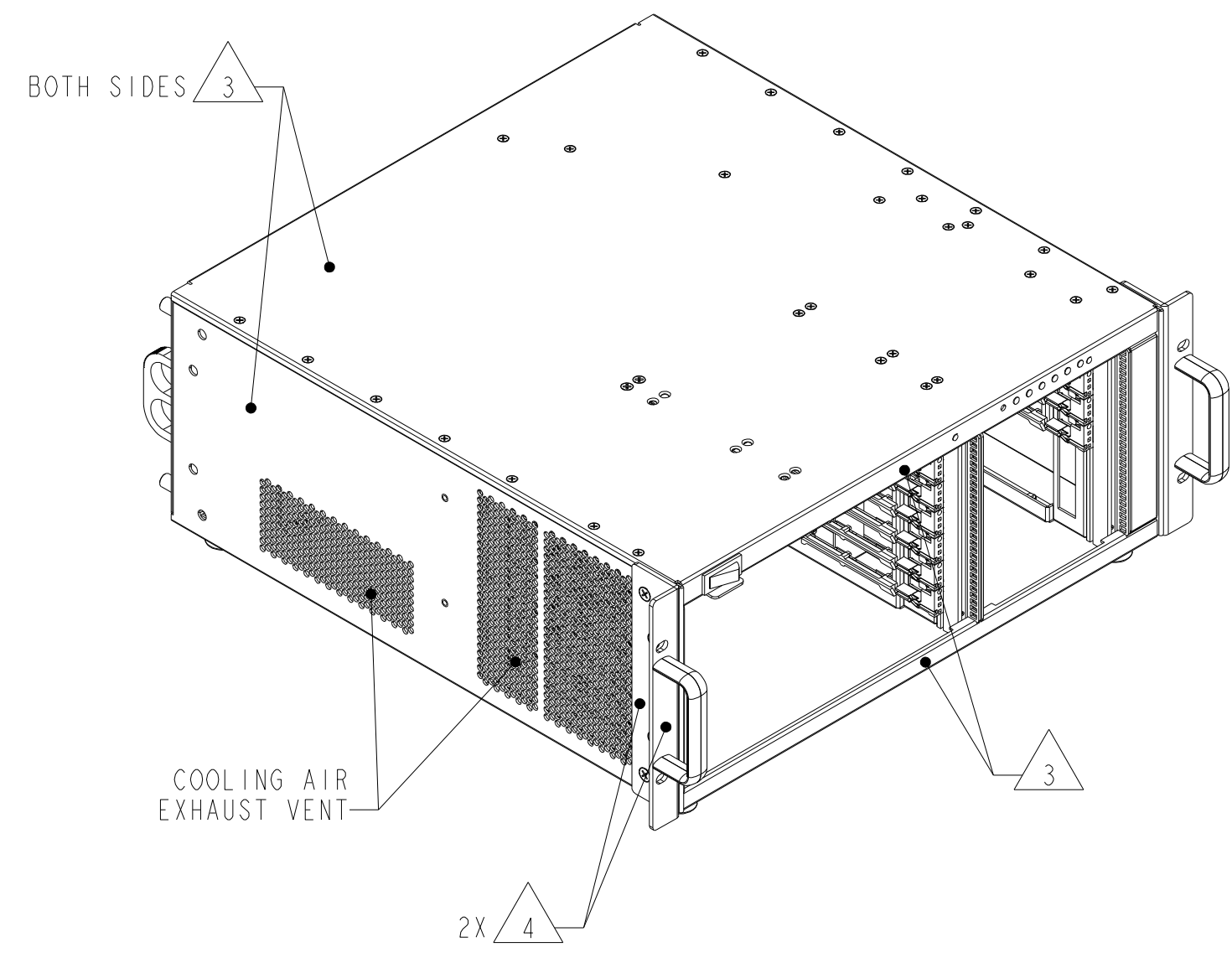


DETAIL B
 SCALE 1/2

- 6. REFER TO PRODUCT MANUAL ON NI.COM FOR MORE DETAILS.
- 5. USER MUST PROVIDE MINIMUM COOLING/VENTING CLEARANCE AS SHOWN. FAILURE TO PROVIDE THIS CLEARANCE MAY RESULT IN CHASSIS OR MODULE THERMAL RELATED FAILURES.
- 4. BLUE (PMS301) COLOR.
- 3. NI COMPASS WHITE COLOR.
- 2. THERE ARE FOUR HOLES ON EACH SIDE OF CHASSIS FOR OPTIONAL RACK MOUNT KIT.
- 1. FOUR 6-32 THREAD BOTTOM FEET MOUNTING HOLES MAY BE USED FOR MOUNTING CHASSIS IN CUSTOM APPLICATIONS.

NOTES: UNLESS OTHERWISE SPECIFIED.

UNLESS OTHERWISE SPECIFIED DIMENSIONS ARE IN INCHES AND [MILLIMETERS].	NATIONAL INSTRUMENTS® AUSTIN, TEXAS	
	TITLE CUSTOMER DRAWING, CHASSIS ASSEMBLY, PXI-1056	
DO NOT SCALE DRAWING THIRD ANGLE PROJECTION	SIZE CODE IDENT NO MM/DD/YYYY D 7U296 01/02/2008	
	SCALE: 1/4	SHEET 1 OF 2



COOLING INFORMATION