

COMPREHENSIVE SERVICES

We offer competitive repair and calibration services, as well as easily accessible documentation and free downloadable resources.

SELL YOUR SURPLUS

We buy new, used, decommissioned, and surplus parts from every NI series. We work out the best solution to suit your individual needs.

 Sell For Cash  Get Credit  Receive a Trade-In Deal

OBSOLETE NI HARDWARE IN STOCK & READY TO SHIP

We stock **New**, **New Surplus**, **Refurbished**, and **Reconditioned** NI Hardware.



Bridging the gap between the manufacturer and your legacy test system.

 1-800-915-6216

 www.apexwaves.com

 sales@apexwaves.com

All trademarks, brands, and brand names are the property of their respective owners.

Request a Quote

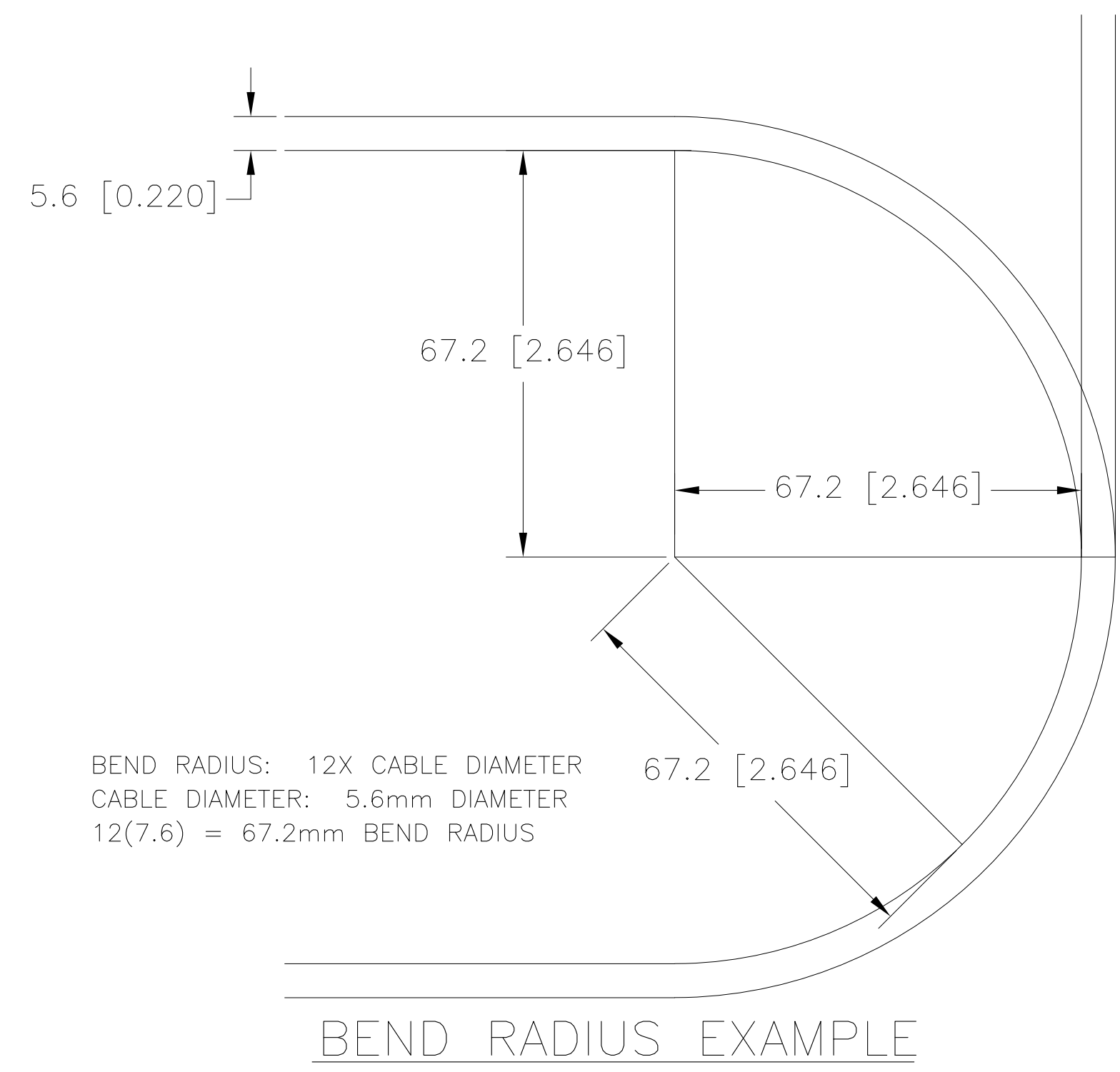
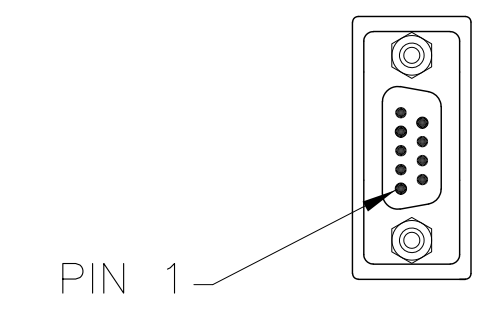
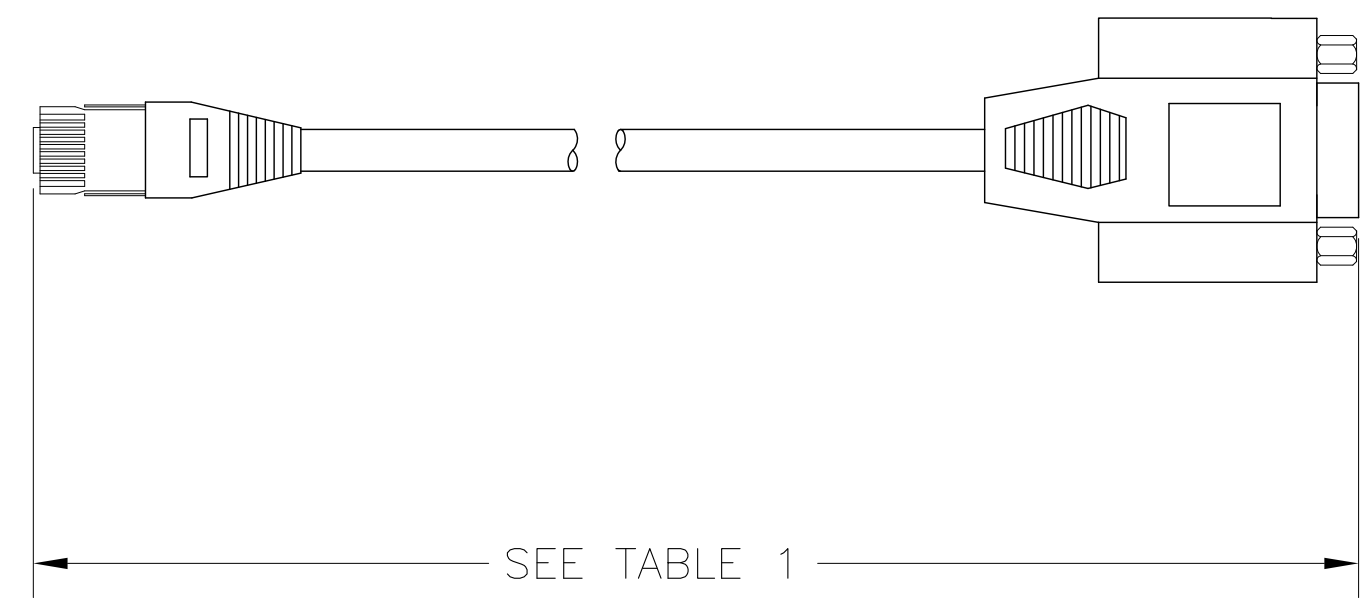
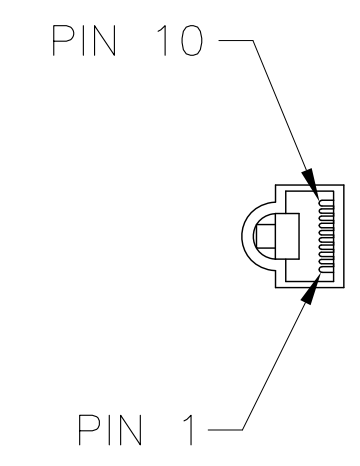
 **CLICK HERE**

182845-02

This document contains confidential and proprietary information which is the property of NI. This proprietary information is supplied to the possessor pursuant to the possessor's agreement to do the following:

1. to maintain this document in confidence;
2. not to reproduce, publish or copy it in whole or in part without written permission; and
3. not to use this document as a basis for the manufacture or sale of goods without written permission.

©COPYRIGHT 2020 NATIONAL INSTRUMENTS CORPORATION. ALL RIGHTS RESERVED.



WIRE LIST			
FROM	TO	SIGNAL-232	SIGNAL-485
P1-10	P2-1	DCD	GND
P1-9	P2-2	RX	HSI+
P1-8	P2-3	TX	HSO+
P1-7	P2-4	DTR	RXD+
P1-6	P2-5	GND	RXD-
P1-5	P2-6	DSR	HSI-
P1-4	P2-7	RTS	HSO-
P1-3	P2-8	CTS	TXD+
P1-2	P2-9	RI	TXD-
BRAID		SHIELD	SHIELD

TABLE 1	
LENGTH	TOLERANCE
<2 m	±5 cm
2 TO 5 m	±10 cm
<5 m	±15 cm

CONDUCTOR SPECIFICATIONS:

CONDUCTOR: 28AWGTINNED COPPER, 0.32 MILLIMETER DIAMETER
 INSULATION: SR-PVC, 0.85 MILLIMETER DIAMETER

BEND RADIUS: 12X CABLE DIAMETER (SEE EXAMPLE) PER SPECIFICATIONS
 2014 NEC SECTION 300.34 CONDUCTOR BEND RADIUS
 2014 NEC SECTION 300.24 BENDING RADIUS

1. REFER TO PRODUCT MANUAL ON NI.COM FOR MORE DETAILS.

NOTES: UNLESS OTHERWISE SPECIFIED.

CUSTOMER DRAWING

UNLESS OTHERWISE SPECIFIED DIMENSIONS ARE IN MILLIMETERS AND [INCHES]	NI.COM AUSTIN, TEXAS
DO NOT SCALE DRAWING THIRD ANGLE PROJECTION	TITLE SERIAL CABLE 10POS PLUG TO DB9M THIN PROFILE
	SIZE CODE IDENT NO. DATE D 7U296 09/01/2020
SCALE: 1/1	SHEET 1 OF 1