

## COMPREHENSIVE SERVICES

We offer competitive repair and calibration services, as well as easily accessible documentation and free downloadable resources.

## SELL YOUR SURPLUS

We buy new, used, decommissioned, and surplus parts from every NI series. We work out the best solution to suit your individual needs.

 Sell For Cash    Get Credit    Receive a Trade-In Deal

## OBSOLETE NI HARDWARE IN STOCK & READY TO SHIP

We stock **New**, **New Surplus**, **Refurbished**, and **Reconditioned** NI Hardware.



*Bridging the gap between the manufacturer and your legacy test system.*

 1-800-915-6216

 [www.apexwaves.com](http://www.apexwaves.com)

 [sales@apexwaves.com](mailto:sales@apexwaves.com)

*All trademarks, brands, and brand names are the property of their respective owners.*

**Request a Quote**

 **CLICK HERE**

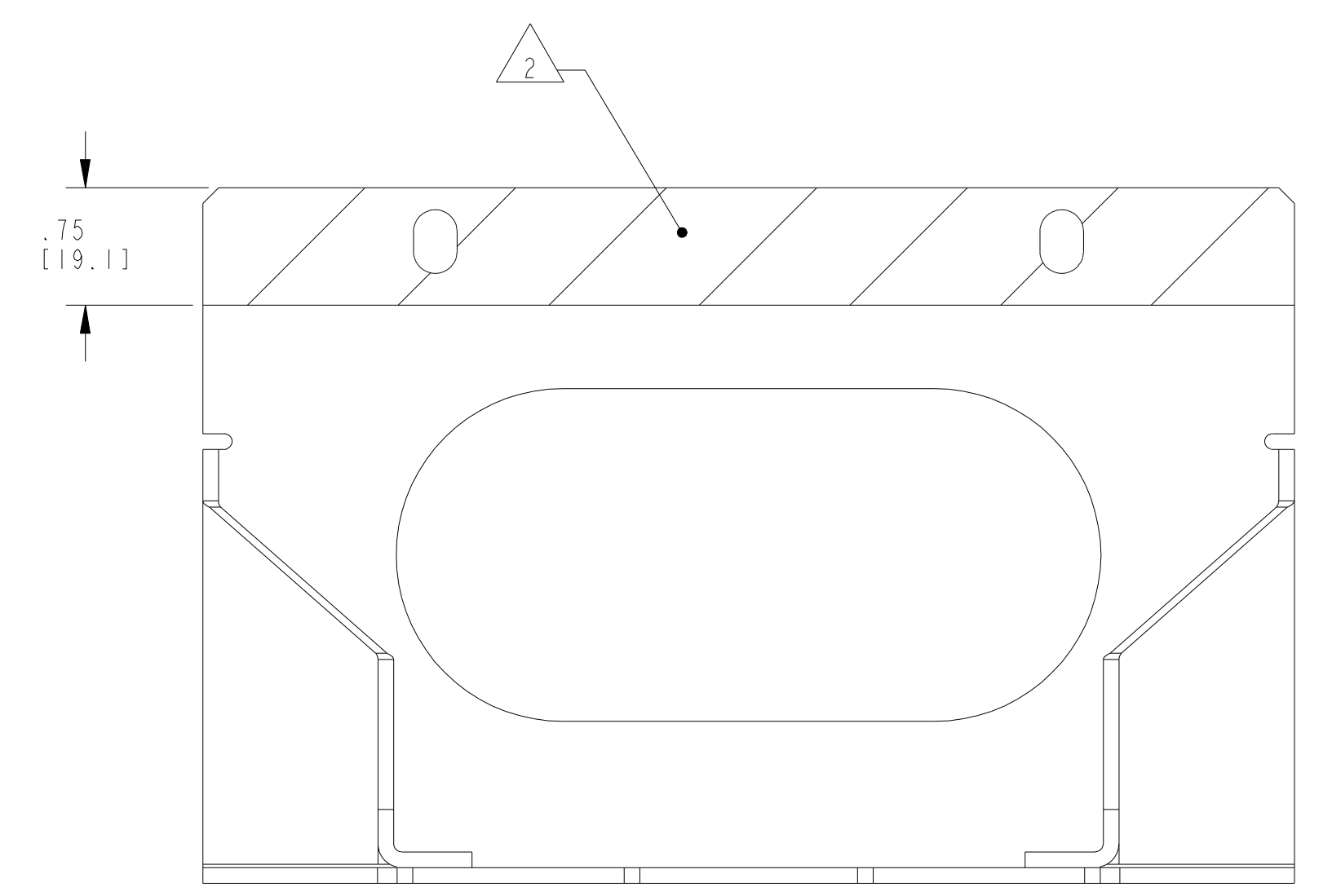
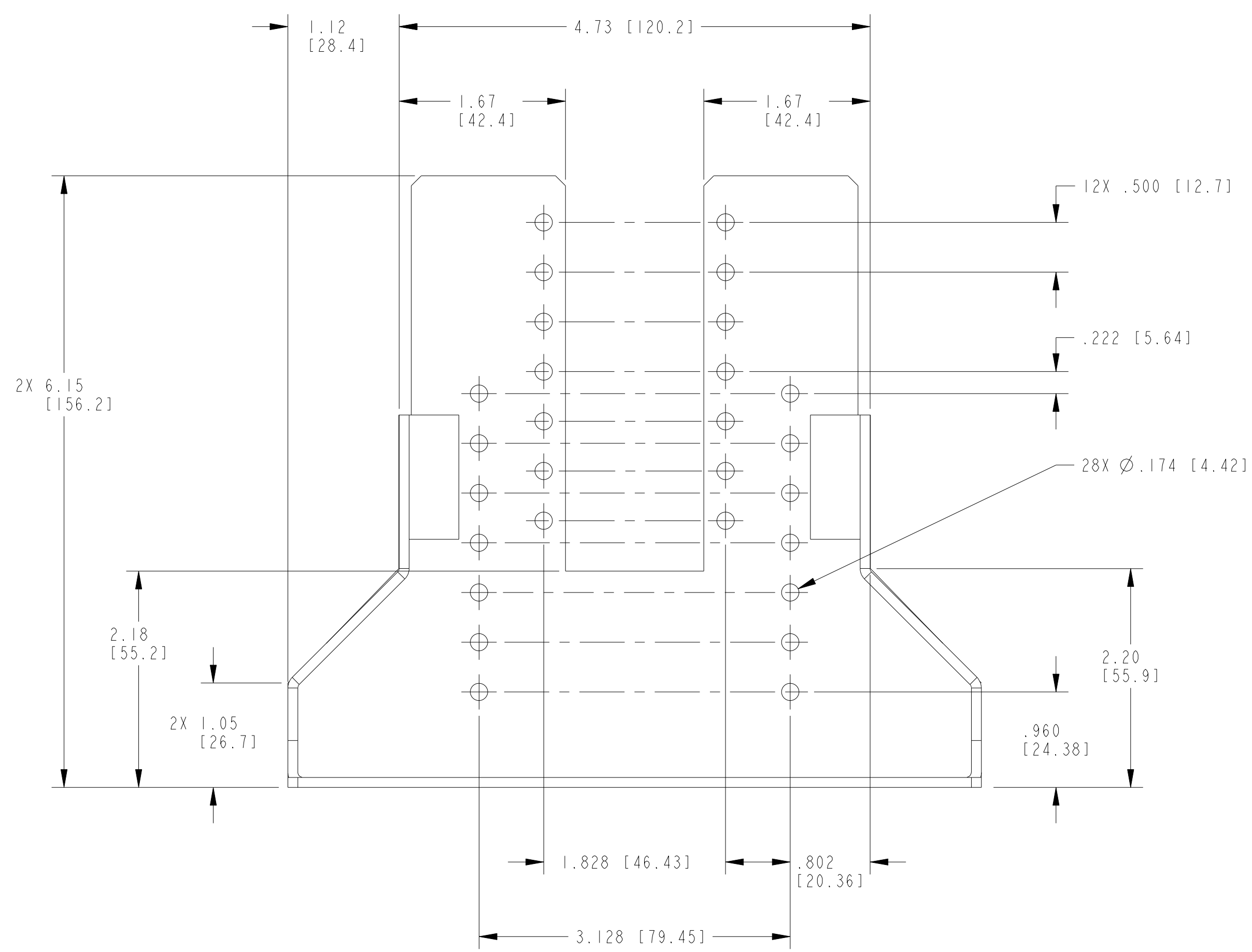
**778948-01**

This document contains confidential and proprietary information which is the property of National Instruments Corporation. This proprietary information is supplied to the possessor pursuant to the possessor's agreement to do the following:

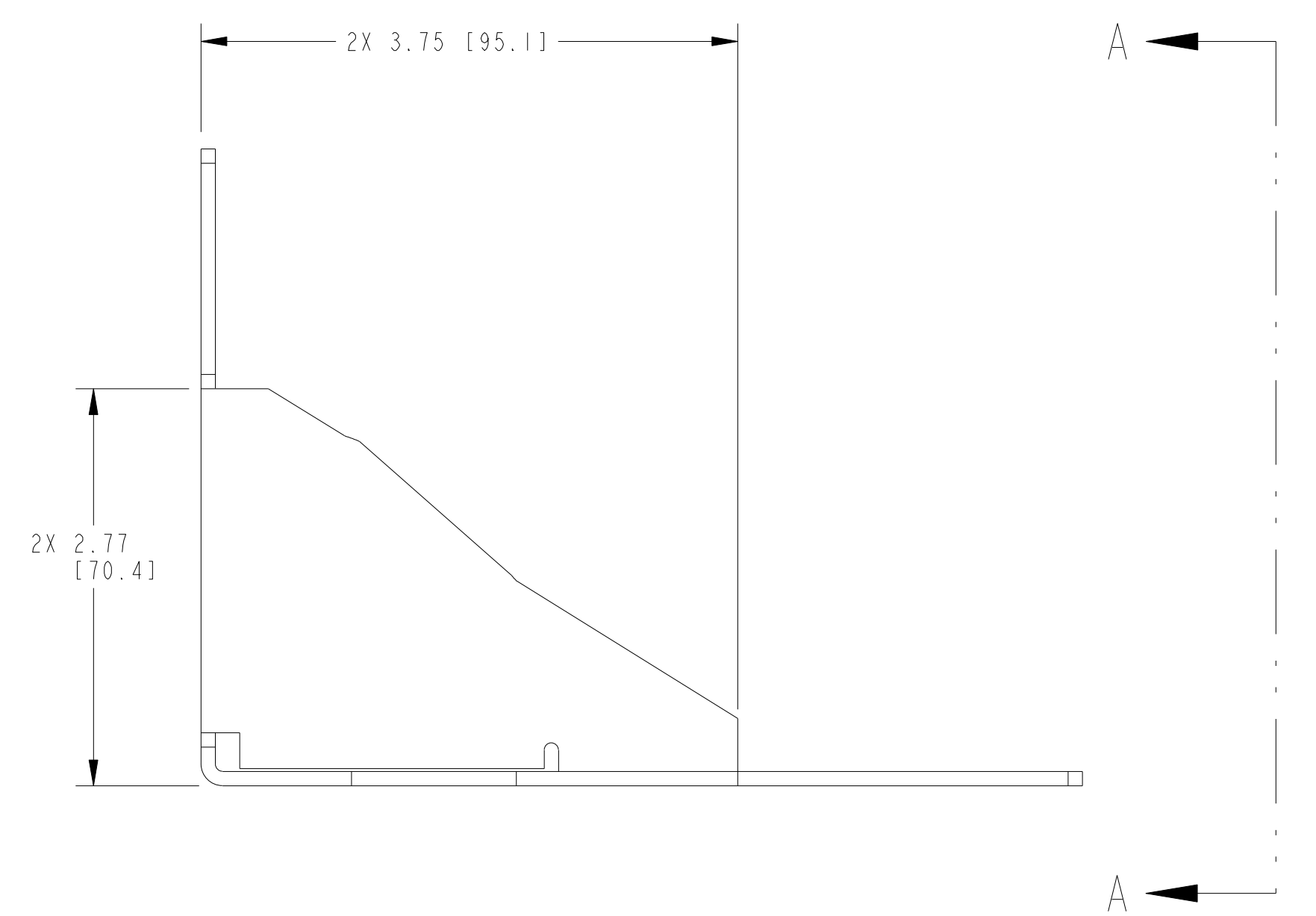
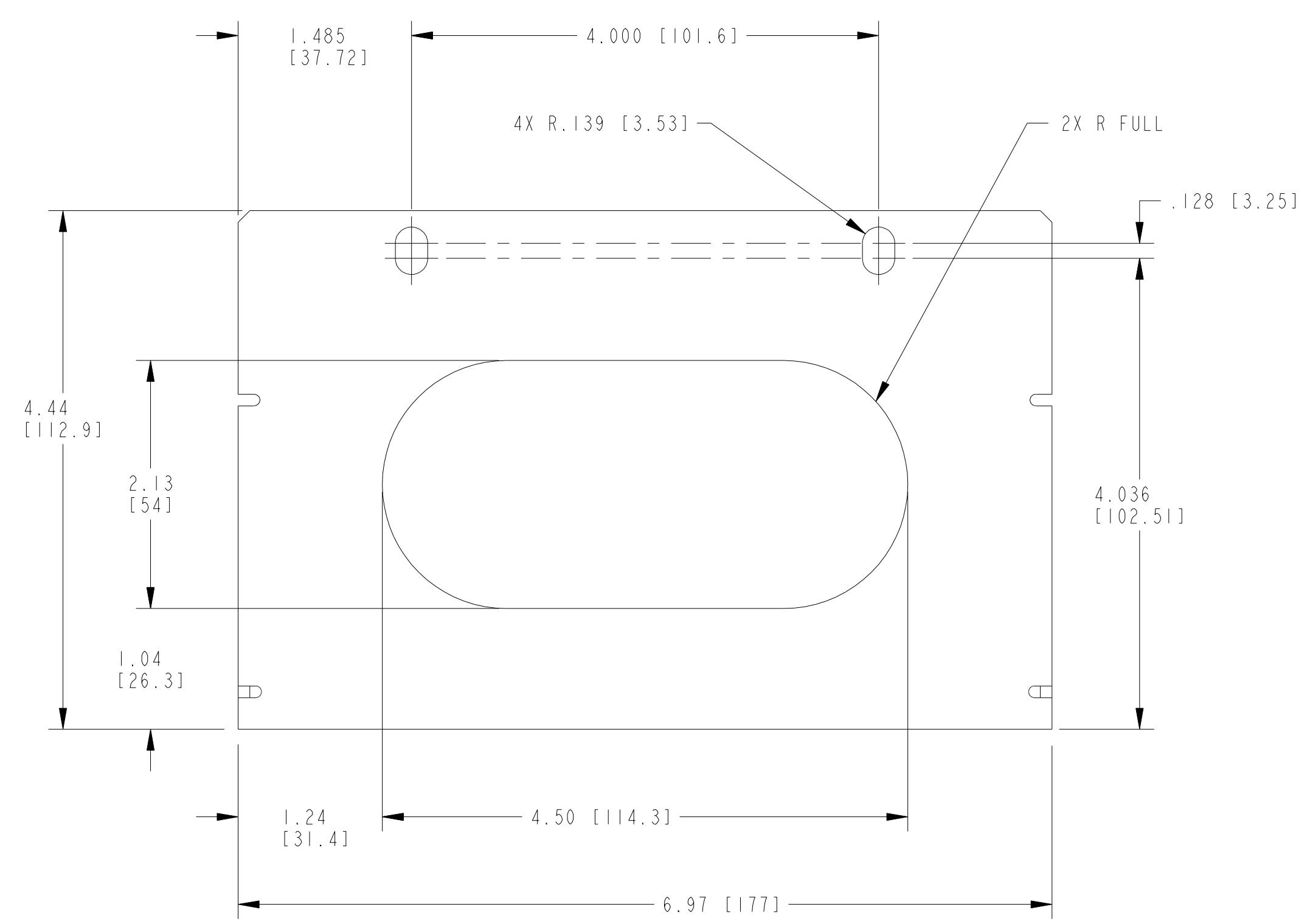
1. to maintain this document in confidence;
2. not to reproduce, publish or copy it in whole or in part without written permission; and
3. not to use this document as a basis for the manufacture or sale of goods without written permission.

© COPYRIGHT 2004  
NATIONAL INSTRUMENTS CORPORATION. ALL RIGHTS RESERVED.

REVISION HISTORY IS CONTROLLED IN AN ELECTRONIC DATABASE. CONTACT NI FOR REVISION DETAILS IF NEEDED.



SECTION A-A

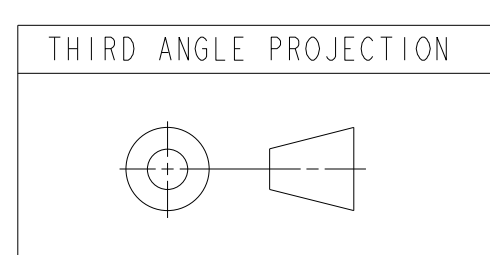


CUSTOMER DRAWING

2 HATCHED AREA SHALL BE KEPT FREE OF PAINT.

1. ALL SURFACES PAINTED NI WHITE PER NI SPECIFICATION 279900A-01.

NOTES: UNLESS OTHERWISE SPECIFIED.



UNLESS OTHERWISE SPECIFIED DIMENSIONS ARE IN INCHES AND [MILLIMETERS] TOLERANCES ARE: .XX [0.X] ± .02 [0.5] ANGLES: .XXX [0.XX] ± .010 [0.25] ± 2° DO NOT SCALE DRAWING	DESIGN TEAM		AUSTIN, TEXAS TITLE CUSTOMER DRAWING, BRACKET, RACK MOUNT, PXI-1031/1031DC
	DRAWN J. TALBOTT	6/01/04	
MATERIAL	CHECKER		SIZE [CODE IDENT NO.] DRAWING NO. REV D [7U296] CD_191123-01 2 SCALE: 1/1 SHEET 1 OF 1
FINISH	MECHANICAL ENGINEER B. BARTYZEL		