

COMPREHENSIVE SERVICES

We offer competitive repair and calibration services, as well as easily accessible documentation and free downloadable resources.

SELL YOUR SURPLUS

We buy new, used, decommissioned, and surplus parts from every NI series. We work out the best solution to suit your individual needs.


 Sell For Cash  Get Credit  Receive a Trade-In Deal

OBSOLETE NI HARDWARE IN STOCK & READY TO SHIP

We stock **New**, **New Surplus**, **Refurbished**, and **Reconditioned** NI Hardware.



Bridging the gap between the manufacturer and your legacy test system.

 1-800-915-6216

 www.apexwaves.com

 sales@apexwaves.com

All trademarks, brands, and brand names are the property of their respective owners.

Request a Quote

 **CLICK HERE**

PXI-1056

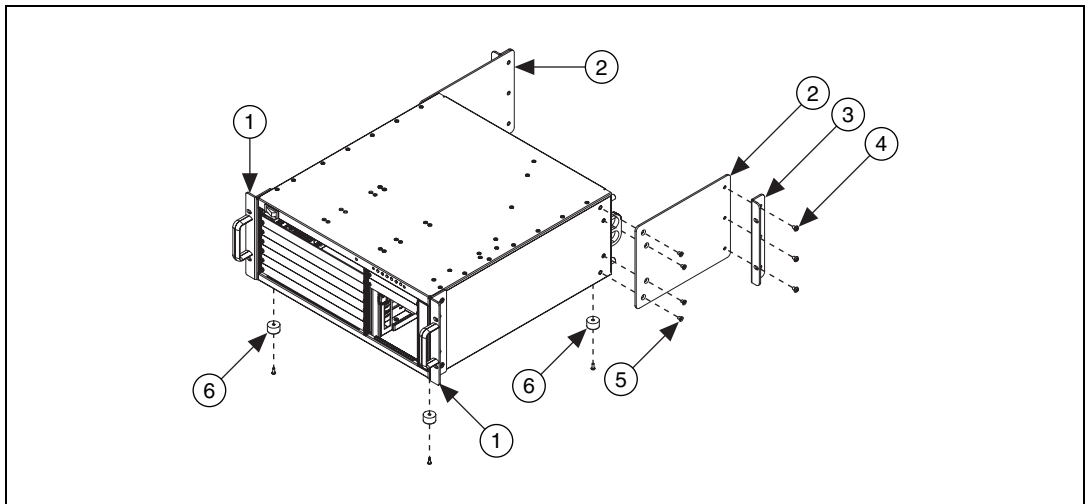
INSTALLATION GUIDE

NI PXI-1056 Optional Rear Rack Mount Kit



Note Use this kit in conjunction with the NI PXI-1056 front rack mount kit.

To mount the NI PXI-1056 in an instrument rack, complete the following steps.



1 Front Rack Mount Kit	3 Mounting Bracket Flange	5 10-32 Flathead Screws (Qty. 8)
2 Mounting Brackets	4 10-32 Panhead Screws (Qty. 6)	6 Bottom Feet

Figure 1. NI PXI-1056 in Rack Mount Configuration

1. Remove the bottom feet (as required) from the NI PXI-1056 chassis.
2. Install the mounting brackets onto each side of the chassis using the 10-32 flathead screws supplied.
3. Attach the mounting bracket flanges to the mounting brackets using the 10-32 panhead screws supplied.
4. Install the chassis in the instrument rack using eight screws (not supplied).

National Instruments, NI, ni.com, and LabVIEW are trademarks of National Instruments Corporation. Refer to the *Terms of Use* section on ni.com/legal for more information about National Instruments trademarks. Other product and company names mentioned herein are trademarks or trade names of their respective companies. For patents covering National Instruments products, refer to the appropriate location: **Help»Patents** in your software, the `patents.txt` file on your CD, or ni.com/patents.