

Serial

Getting Started with Your AT Serial Hardware and Software for Windows NT

Worldwide Technical Support and Product Information

ni.com

National Instruments Corporate Headquarters

11500 North Mopac Expressway Austin, Texas 78759-3504 USA Tel: 512 794 0100

Worldwide Offices

Australia 03 9879 5166, Austria 0662 45 79 90 0, Belgium 02 757 00 20, Brazil 011 284 5011,
Canada (Calgary) 403 274 9391, Canada (Ontario) 905 785 0085, Canada (Québec) 514 694 8521,
China 0755 3904939, Denmark 45 76 26 00, Finland 09 725 725 11, France 01 48 14 24 24,
Germany 089 741 31 30, Greece 30 1 42 96 427, Hong Kong 2645 3186, India 91805275406,
Israel 03 6120092, Italy 02 413091, Japan 03 5472 2970, Korea 02 596 7456, Mexico (D.F.) 5 280 7625,
Mexico (Monterrey) 8 357 7695, Netherlands 0348 433466, New Zealand 09 914 0488, Norway 32 27 73 00,
Poland 0 22 528 94 06, Portugal 351 1 726 9011, Singapore 2265886, Spain 91 640 0085,
Sweden 08 587 895 00, Switzerland 056 200 51 51, Taiwan 02 2528 7227, United Kingdom 01635 523545

For further support information, see the *Technical Support Resources* appendix. To comment on the documentation, send e-mail to techpubs@ni.com

© Copyright 1997, 2000 National Instruments Corporation. All rights reserved.

Important Information

Warranty

The serial hardware is warranted against defects in materials and workmanship for a period of one year from the date of shipment, as evidenced by receipts or other documentation. National Instruments will, at its option, repair or replace equipment that proves to be defective during the warranty period. This warranty includes parts and labor.

The media on which you receive National Instruments software are warranted not to fail to execute programming instructions, due to defects in materials and workmanship, for a period of 90 days from date of shipment, as evidenced by receipts or other documentation. National Instruments will, at its option, repair or replace software media that do not execute programming instructions if National Instruments receives notice of such defects during the warranty period. National Instruments does not warrant that the operation of the software shall be uninterrupted or error free.

A Return Material Authorization (RMA) number must be obtained from the factory and clearly marked on the outside of the package before any equipment will be accepted for warranty work. National Instruments will pay the shipping costs of returning to the owner parts which are covered by warranty.

National Instruments believes that the information in this document is accurate. The document has been carefully reviewed for technical accuracy. In the event that technical or typographical errors exist, National Instruments reserves the right to make changes to subsequent editions of this document without prior notice to holders of this edition. The reader should consult National Instruments if errors are suspected. In no event shall National Instruments be liable for any damages arising out of or related to this document or the information contained in it.

EXCEPT AS SPECIFIED HEREIN, NATIONAL INSTRUMENTS MAKES NO WARRANTIES, EXPRESS OR IMPLIED, AND SPECIFICALLY DISCLAIMS ANY WARRANTY OF MERCHANTABILITY OR FITNESS FOR A PARTICULAR PURPOSE. CUSTOMER'S RIGHT TO RECOVER DAMAGES CAUSED BY FAULT OR NEGLIGENCE ON THE PART OF NATIONAL INSTRUMENTS SHALL BE LIMITED TO THE AMOUNT THEREFORE PAID BY THE CUSTOMER. NATIONAL INSTRUMENTS WILL NOT BE LIABLE FOR DAMAGES RESULTING FROM LOSS OF DATA, PROFITS, USE OF PRODUCTS, OR INCIDENTAL OR CONSEQUENTIAL DAMAGES, EVEN IF ADVISED OF THE POSSIBILITY THEREOF. This limitation of the liability of National Instruments will apply regardless of the form of action, whether in contract or tort, including negligence. Any action against National Instruments must be brought within one year after the cause of action accrues. National Instruments shall not be liable for any delay in performance due to causes beyond its reasonable control. The warranty provided herein does not cover damages, defects, malfunctions, or service failures caused by owner's failure to follow the National Instruments installation, operation, or maintenance instructions; owner's modification of the product; owner's abuse, misuse, or negligent acts; and power failure or surges, fire, flood, accident, actions of third parties, or other events outside reasonable control.

Copyright

Under the copyright laws, this publication may not be reproduced or transmitted in any form, electronic or mechanical, including photocopying, recording, storing in an information retrieval system, or translating, in whole or in part, without the prior written consent of National Instruments Corporation.

Trademarks

CVI™, LabVIEW™, National Instruments™, and ni.com™ are trademarks of National Instruments Corporation.

Product and company names mentioned herein are trademarks or trade names of their respective companies.

WARNING REGARDING USE OF NATIONAL INSTRUMENTS PRODUCTS

(1) NATIONAL INSTRUMENTS PRODUCTS ARE NOT DESIGNED WITH COMPONENTS AND TESTING FOR A LEVEL OF RELIABILITY SUITABLE FOR USE IN OR IN CONNECTION WITH SURGICAL IMPLANTS OR AS CRITICAL COMPONENTS IN ANY LIFE SUPPORT SYSTEMS WHOSE FAILURE TO PERFORM CAN REASONABLY BE EXPECTED TO CAUSE SIGNIFICANT INJURY TO A HUMAN.

(2) IN ANY APPLICATION, INCLUDING THE ABOVE, RELIABILITY OF OPERATION OF THE SOFTWARE PRODUCTS CAN BE IMPAIRED BY ADVERSE FACTORS, INCLUDING BUT NOT LIMITED TO FLUCTUATIONS IN ELECTRICAL POWER SUPPLY, COMPUTER HARDWARE MALFUNCTIONS, COMPUTER OPERATING SYSTEM SOFTWARE FITNESS, FITNESS OF COMPILERS AND DEVELOPMENT SOFTWARE USED TO DEVELOP AN APPLICATION, INSTALLATION ERRORS, SOFTWARE AND HARDWARE COMPATIBILITY PROBLEMS, MALFUNCTIONS OR FAILURES OF ELECTRONIC MONITORING OR CONTROL DEVICES, TRANSIENT FAILURES OF ELECTRONIC SYSTEMS (HARDWARE AND/OR SOFTWARE), UNANTICIPATED USES OR MISUSES, OR ERRORS ON THE PART OF THE USER OR APPLICATIONS DESIGNER (ADVERSE FACTORS SUCH AS THESE ARE HEREAFTER COLLECTIVELY TERMED "SYSTEM FAILURES"). ANY APPLICATION WHERE A SYSTEM FAILURE WOULD CREATE A RISK OF HARM TO PROPERTY OR PERSONS (INCLUDING THE RISK OF BODILY INJURY AND DEATH) SHOULD NOT BE RELIANT SOLELY UPON ONE FORM OF ELECTRONIC SYSTEM DUE TO THE RISK OF SYSTEM FAILURE. TO AVOID DAMAGE, INJURY, OR DEATH, THE USER OR APPLICATION DESIGNER MUST TAKE REASONABLY PRUDENT STEPS TO PROTECT AGAINST SYSTEM FAILURES, INCLUDING BUT NOT LIMITED TO BACK-UP OR SHUT DOWN MECHANISMS. BECAUSE EACH END-USER SYSTEM IS CUSTOMIZED AND DIFFERS FROM NATIONAL INSTRUMENTS' TESTING PLATFORMS AND BECAUSE A USER OR APPLICATION DESIGNER MAY USE NATIONAL INSTRUMENTS PRODUCTS IN COMBINATION WITH OTHER PRODUCTS IN A MANNER NOT EVALUATED OR CONTEMPLATED BY NATIONAL INSTRUMENTS, THE USER OR APPLICATION DESIGNER IS ULTIMATELY RESPONSIBLE FOR VERIFYING AND VALIDATING THE SUITABILITY OF NATIONAL INSTRUMENTS PRODUCTS WHENEVER NATIONAL INSTRUMENTS PRODUCTS ARE INCORPORATED IN A SYSTEM OR APPLICATION, INCLUDING, WITHOUT LIMITATION, THE APPROPRIATE DESIGN, PROCESS AND SAFETY LEVEL OF SUCH SYSTEM OR APPLICATION.

Compliance

FCC/Canada Radio Frequency Interference Compliance*

Determining FCC Class

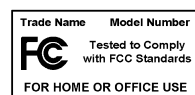
The Federal Communications Commission (FCC) has rules to protect wireless communications from interference. The FCC places digital electronics into two classes. These classes are known as Class A (for use in industrial-commercial locations only) or Class B (for use in residential or commercial locations). Depending on where it is operated, this product could be subject to restrictions in the FCC rules. (In Canada, the Department of Communications (DOC), of Industry Canada, regulates wireless interference in much the same way.)

Digital electronics emit weak signals during normal operation that can affect radio, television, or other wireless products. By examining the product you purchased, you can determine the FCC Class and therefore which of the two FCC/DOC Warnings apply in the following sections. (Some products may not be labeled at all for FCC; if so, the reader should then assume these are Class A devices.)

FCC Class A products only display a simple warning statement of one paragraph in length regarding interference and undesired operation. Most of our products are FCC Class A. The FCC rules have restrictions regarding the locations where FCC Class A products can be operated.

FCC Class B products display either a FCC ID code, starting with the letters **EXN**, or the FCC Class B compliance mark that appears as shown here on the right.

Consult the FCC web site <http://www.fcc.gov> for more information.



FCC/DOC Warnings

This equipment generates and uses radio frequency energy and, if not installed and used in strict accordance with the instructions in this manual and the CE Mark Declaration of Conformity**, may cause interference to radio and television reception. Classification requirements are the same for the Federal Communications Commission (FCC) and the Canadian Department of Communications (DOC).

Changes or modifications not expressly approved by National Instruments could void the user's authority to operate the equipment under the FCC Rules.

Class A

Federal Communications Commission

This equipment has been tested and found to comply with the limits for a Class A digital device, pursuant to part 15 of the FCC Rules. These limits are designed to provide reasonable protection against harmful interference when the equipment is operated in a commercial environment. This equipment generates, uses, and can radiate radio frequency energy and, if not installed and used in accordance with the instruction manual, may cause harmful interference to radio communications. Operation of this equipment in a residential area is likely to cause harmful interference in which case the user will be required to correct the interference at his own expense.

Canadian Department of Communications

This Class A digital apparatus meets all requirements of the Canadian Interference-Causing Equipment Regulations.

Cet appareil numérique de la classe A respecte toutes les exigences du Règlement sur le matériel brouilleur du Canada.

Class B

Federal Communications Commission

This equipment has been tested and found to comply with the limits for a Class B digital device, pursuant to part 15 of the FCC Rules. These limits are designed to provide reasonable protection against harmful interference in a residential installation. This equipment generates, uses and can radiate radio frequency energy and, if not installed and used in accordance with the instructions, may cause harmful interference to radio communications. However, there is no guarantee that interference will not occur in a particular installation. If this equipment does cause harmful interference to radio or television reception, which can be determined by turning the equipment off and on, the user is encouraged to try to correct the interference by one or more of the following measures:

- Reorient or relocate the receiving antenna.
- Increase the separation between the equipment and receiver.

- Connect the equipment into an outlet on a circuit different from that to which the receiver is connected.
- Consult the dealer or an experienced radio/TV technician for help.

Canadian Department of Communications

This Class B digital apparatus meets all requirements of the Canadian Interference-Causing Equipment Regulations.

Cet appareil numérique de la classe B respecte toutes les exigences du Règlement sur le matériel brouilleur du Canada.

European Union - Compliance to EEC Directives

Readers in the EU/EEC/EEA must refer to the Manufacturer's Declaration of Conformity (DoC) for information** pertaining to the CE Mark compliance scheme. The Manufacturer includes a DoC for most every hardware product except for those bought for OEMs, if also available from an original manufacturer that also markets in the EU, or where compliance is not required as for electrically benign apparatus or cables.

* Certain exemptions may apply in the USA, see FCC Rules §15.103 **Exempted devices**, and §15.105(c). Also available in sections of CFR 47.

** The CE Mark Declaration of Conformity will contain important supplementary information and instructions for the user or installer.

Contents

About This Manual

Conventions	xi
Related Documentation.....	xii

Chapter 1

Introduction

How to Use This Manual	1-1
What You Need to Get Started	1-2
Optional Equipment	1-2
Serial Hardware Overview.....	1-2
NI-Serial Software Overview	1-4
Time-Saving Development Tools	1-4
Using Your Serial Hardware with LabVIEW and LabWindows/CVI.....	1-5

Chapter 2

Installation and Verification

Installing the Microsoft PnP ISA Enabler Driver	2-1
Install the NI-Serial Software	2-1
Install the AT Serial Hardware	2-4
Verify the Installation	2-6
Determine Which Physical Port Is Associated with COMx.....	2-6
Run the Diagnostic Test	2-6
Connect the Cables	2-6
DB-9 Connector.....	2-7
Modular Jack Connector.....	2-8
DB-25 Connector.....	2-9
Connecting Two-Wire Devices	2-10

Chapter 3

Configuration

Change/View Communication Port Settings	3-1
General Port Settings	3-2
COM Port Number	3-2
Transceiver Mode.....	3-2
FIFO Enabled	3-3
FIFO Buffer Size	3-3
Resources.....	3-3

Resource Settings	3-4
AT Boards (Shared IRQ)	3-4
AT Boards (Non-Shared IRQ)	3-5

Chapter 4

Using Your Serial Hardware

Advanced Transceiver Control for the AT-485.....	4-1
Four-Wire Mode	4-1
Two-Wire Mode: $\overline{\text{DTR}}$ with Echo	4-1
Two-Wire Mode: $\overline{\text{DTR}}$ Controlled	4-2
Two-Wire Mode: $\overline{\text{TXRDY}}$ Auto Control.....	4-2
Setting the Transceiver Control Mode	4-2
Setting the Transceiver Mode with DeviceIoControl	4-3
General Programming Requirements	4-4

Appendix A

Serial Port Information

Appendix B

Uninstalling the Serial Hardware and Software

Appendix C

Troubleshooting and Common Questions

Appendix D

Specifications

Appendix E

Technical Support Resources

Glossary

Index

Figures

Figure 2-1. Add/Remove Programs Properties Dialog Box	2-2
Figure 2-2. NI-Serial Setup Screen.....	2-3
Figure 2-3. AT Serial Board Installation	2-5

Figure 2-4.	DB-9 Connector Pin Locations	2-7
Figure 2-5.	10-Position Modular Jack Pin Locations.....	2-8
Figure 2-6.	DB-25 Connector Pin Locations	2-9
Figure 2-7.	Connecting the Cables to Your Four-Port AT Serial Board	2-10
Figure 3-1.	niports Configuration Utility	3-1
Figure 3-2.	General Port Settings Dialog Box	3-2
Figure 3-3.	PnP Port Configuration Dialog Box for the AT-232/4.....	3-4
Figure A-1.	Typical Full-Duplex System	A-4
Figure A-2.	Typical Half-Duplex System.....	A-4
Figure A-3.	Multidrop Network Using Terminating Resistors.....	A-5
Figure A-4.	Transmission Line Using Bias Resistors.....	A-6
Figure A-5.	Straight-Through Cabling in a DTE-to-DCE Interface	A-7
Figure A-6.	Null-Modem Cabling in a DTE-to-DTE Interface	A-7
Figure B-1.	Selecting an Interface to Uninstall	B-1
Figure B-2.	Add/Remove Programs Properties Dialog Box.....	B-2
Figure B-3.	Uninstallation Results.....	B-3

Tables

Table 2-1.	DB-9 Pin Descriptions	2-7
Table 2-2.	10-Position Modular Jack Pin Descriptions	2-8
Table 2-3.	DB-25 Pin Descriptions	2-9
Table 4-1.	Transceiver Control Modes	4-1
Table 4-2.	DeviceIoControl Function Input Values	4-3
Table A-1.	RS-232, RS-422, and RS-485 Features	A-1
Table D-1.	Physical Characteristics of the Two-Port AT Serial Boards (Non-Isolated)	D-1
Table D-2.	Physical Characteristics of the Two-Port Isolated AT Serial Boards	D-2
Table D-3.	Physical Characteristics of the Four-Port AT Serial Boards (Non-Isolated)	D-2
Table D-4.	Physical Characteristics of the Four-Port Isolated AT Serial Boards ...	D-3
Table D-5.	Environmental Characteristics of the Serial Hardware	D-3
Table D-6.	Software Characteristics.....	D-4

About This Manual

This manual contains instructions to help you install and configure the National Instruments serial hardware and the NI-Serial software for Windows NT. The serial hardware covered by this manual includes the AT-232/2, AT-232/4, AT-485/2, and AT-485/4. This manual assumes that you are already familiar with Windows NT.

Conventions

This manual uses the following conventions:

» The » symbol leads you through nested menu items and dialog box options to a final action. The sequence **File»Page Setup»Options** directs you to pull down the **File** menu, select the **Page Setup** item, and select **Options** from the last dialog box.



This icon denotes a note, which alerts you to important information.



This icon denotes a caution, which advises you of precautions to take to avoid injury, data loss, or a system crash.

bold Bold text denotes items that you must select or click on in the software, such as menu items and dialog box options. Bold text also denotes parameter names.

italic Italic text denotes variables, emphasis, a cross reference, or an introduction to a key concept. This font also denotes text that is a placeholder for a word or value that you must supply.

`monospace` Text in this font denotes text or characters that you should enter from the keyboard, sections of code, programming examples, and syntax examples. This font is also used for the proper names of disk drives, paths, directories, programs, subprograms, subroutines, device names, functions, operations, variables, filenames and extensions, and code excerpts.

`monospace bold` Bold text in this font denotes the messages and responses that the computer automatically prints to the screen. This font also emphasizes lines of code that are different from the other examples.

Related Documentation

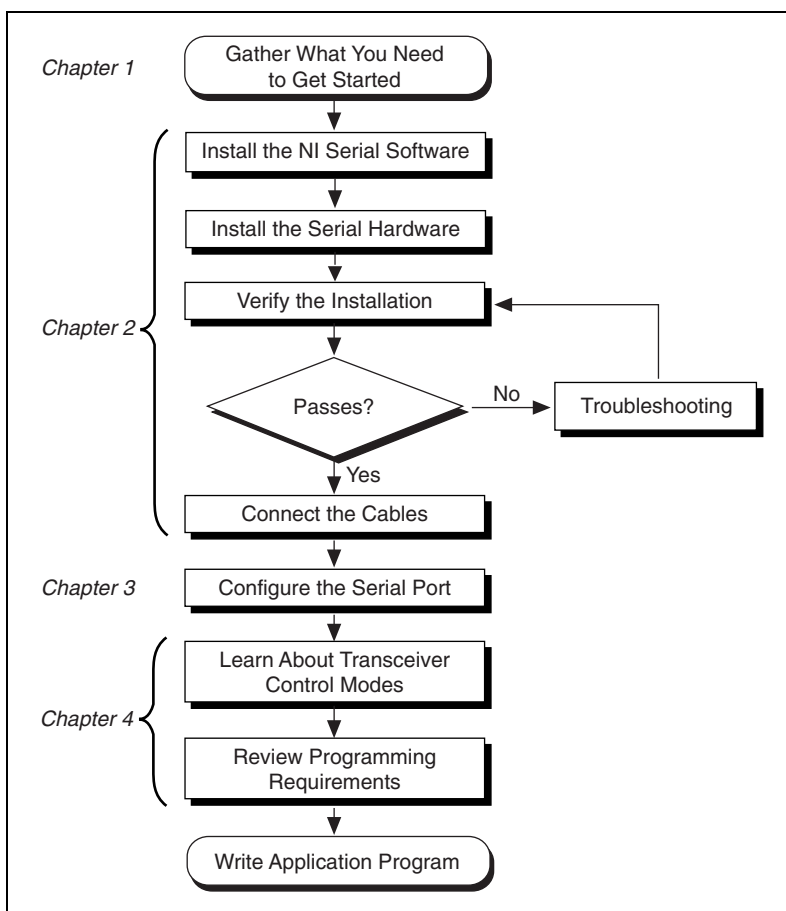
The following documents contain information that you might find helpful as you read this manual:

- ANSI/EIA-232-D Standard, *Interface Between Data Terminal Equipment and Data Circuit-Terminating Equipment Employing Serial Binary Data Interchange*
- EIA/RS-422-A Standard, *Electrical Characteristics of Balanced Voltage Digital Interface Circuits*
- EIA-485 Standard, *Standard for Electrical Characteristics of Generators and Receivers for Use in Balanced Digital Multipoint Systems*
- *Microsoft Win32 Software Developer Kit*, Online Documentation for *Win32 Overviews*, *Win32 Reference*, and *Microsoft Windows NT System Guide*, Microsoft Corporation
- *NS16550AF Universal Asynchronous Receiver/Transmitter with FIFOs*, National Semiconductor

Introduction

This chapter explains how to use this manual, lists what you need to get started, provides an overview of the serial hardware and the NI-Serial software, and describes optional equipment you can order.

How to Use This Manual



What You Need to Get Started

Make sure you have all of the following items before you attempt to install the serial hardware and software:

- Windows NT version 4.0 or later installed on your computer
- One of the following serial boards, which is included in your kit:
 - AT-232 (two or four port)
 - AT-485 (two or four port)
 - AT-232 (two or four port) Isolated
 - AT-485 (two or four port) Isolated
- CD, *NI-Serial Software for Windows 2000/NT/Me/9x*, which is included in your kit

If you have a four-port interface, you also need a 10-position modular jack to DB-9 cable.

Optional Equipment

Call National Instruments for more information about the following optional equipment:

- DB-9 RS-485 termination connector (AT-485 only)
- 10-position modular jack to DB-9 cable (four-port boards only)
- 10-position modular jack to DB-25 cable (four-port boards only)
- RS-232 9-pin to 9-pin null modem cable
- RS-232 9-pin to 25-pin null modem cable

Serial Hardware Overview

The serial hardware gives you a variety of solutions for serial communications. The AT-232 boards work with the RS-232 protocols, and the AT-485 boards work with the RS-422 and RS-485 protocols. You can use the AT-232 boards for serial communication up to distances of 50 ft. You can connect the AT-485 boards with up to 31 devices using serial cable lengths up to 4,000 ft.

The AT boards are available in three different versions:

- Shared IRQ: All ports on the board share the same IRQ.
- Isolated: All ports on the board are isolated and share the same IRQ.
- Each port requires a separate IRQ (no longer ships with the NI-Serial software for Windows 98/95).

Additionally, the AT serial boards are available in a two-port version (AT-232/2 and AT-485/2) or a four-port version (AT-232/4 and AT-485/4). The two-port versions use DB-9 connectors. The four-port versions use 10-position modular jacks to provide all four connections on a single back panel. Optional cable accessories convert the 10-position modular jacks to either DB-9 or DB-25 connectors with standard pinouts. Throughout this manual, references to AT serial boards generally refer to all versions of the boards.

The isolated AT-232 and AT-485 boards are designed for applications in harsh environments. Isolated ports provide reliable communication in situations involving ground loops from different ground levels or high common mode voltage induced on the lines in noisy environments. The non-isolated ports may not provide reliable communication in those situations. The isolation between each communication port and the host PC ensures safe operation of the PC and the devices connected to other ports on the same board in case of accidental high voltages on communication lines.

The AT-485 boards support four hardware transceiver control modes for reliable communication with two-wire and four-wire devices. Refer to Chapter 4, *Using Your Serial Hardware*, for more information about transceiver control modes.

All of the serial hardware uses standard 16550-compatible UARTs (Universal Asynchronous Receiver/Transmitters) for 100 percent compatibility with standard PC COM ports. The serial hardware contains FIFOs (First-In-First-Out buffers) for reduced susceptibility to interrupt latency and faster transmission rates. Full Plug and Play compatibility gives you the convenience of switchless configuration and installation. Refer to Appendix D, *Specifications*, for more information about the serial hardware specifications and operating conditions.

NI-Serial Software Overview

The NI-Serial software for Windows NT includes a native Windows NT kernel driver that can provide full interrupt-driven, buffered I/O for multiple COM ports. You can obtain a maximum baud rate of 115.2 KBaud. The NI-Serial software also provides a configuration utility, which is integrated with the Windows NT Control Panel. Refer to Appendix D, *Specifications*, for more information about software specifications and recommended operating conditions.

The NI-Serial software includes the following components:

- Device driver
- Diagnostic test
- Configuration utility
- Product manuals

The NI-Serial software supports all National Instruments serial hardware, including all AT, PCI, PXI, CompactPCI, and PCMCIA versions.

Time-Saving Development Tools

Your kit includes the NI-Serial software for Windows NT. In addition, you can order the LabWindows/CVI or LabVIEW software from National Instruments to speed your application development time and make it easier to communicate with your instruments.

LabVIEW is an easy-to-use, graphical programming environment you can use to acquire data from thousands of different instruments, including IEEE 488.2 devices, VXI devices, serial devices, PLCs, and plug-in data acquisition boards. After you have acquired raw data, you can convert it into meaningful results using the powerful data analysis routines in LabVIEW. LabVIEW also comes with hundreds of instrument drivers, which dramatically reduce software development time, because you do not have to spend time programming the low-level control of each instrument.

LabWindows/CVI is similar to LabVIEW, except that it combines an interactive, easy-to-use development approach with the programming power and flexibility of compiled ANSI C code.

For ordering information, or to request free demonstration software, contact National Instruments.

Using Your Serial Hardware with LabVIEW and LabWindows/CVI

After you install your serial hardware and the NI-Serial software, you can use standard serial I/O functions in LabVIEW and LabWindows/CVI with your serial interface. If you already have LabVIEW or LabWindows/CVI and want to use it with your serial hardware, refer to your LabVIEW or LabWindows/CVI documentation for information about serial I/O functions.

Installation and Verification

This chapter contains instructions to help you install the NI-Serial software, serial hardware, and cables, and to verify the installation.

Installing the Microsoft PnP ISA Enabler Driver

When you install an AT board, you must install the PnP ISA Enabler Driver.

The AT serial hardware is Plug and Play. Windows NT 4.0 does not support Plug and Play. In order for Windows NT to detect and install the Plug and Play hardware, you must install the PnP ISA Enabler driver included on your Windows NT 4.0 CD-ROM. Complete the following steps to install the driver:

1. Locate the `Pnpisa.inf` file in the `Drvlib\Pnpisa\X86` folder on the Windows NT 4.0 CD-ROM.
2. Right-click on the `Pnpisa.inf` file, then select **Install** on the menu that appears.
3. Restart the computer.

Install the NI-Serial Software

Install the NI-Serial software for Windows NT before you install the hardware. Make sure that you have already installed the PnP ISA Enabler driver as described in the previous section.

1. Log on as Administrator or as a user who has Administrator privileges.
2. Select **Start»Settings»Control Panel**.

3. Double-click on the **Add/Remove Programs** icon in the Control Panel to launch the Add/Remove Programs applet. A dialog box similar to the one in Figure 2-1 appears.

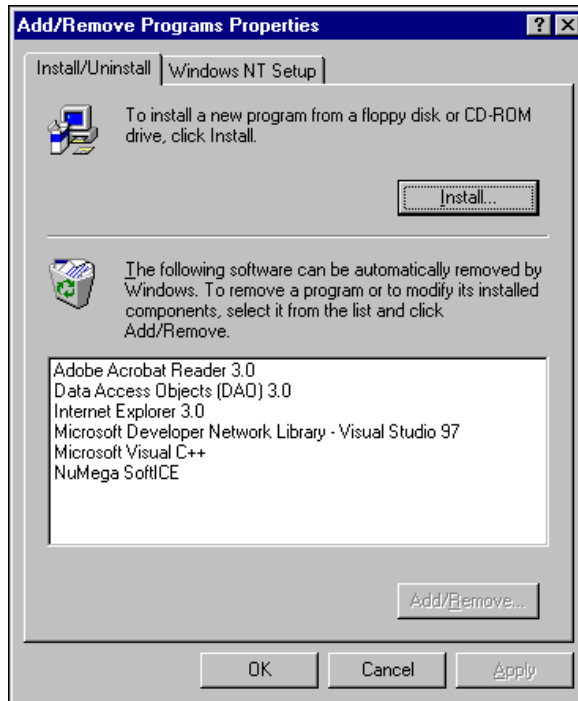


Figure 2-1. Add/Remove Programs Properties Dialog Box

4. Click on the **Install** button.
5. When prompted, insert the *NI-Serial Software for Windows 2000/NT/Me/9x* CD and click on the **Next** button to proceed. The software installation wizard begins with the screen shown in Figure 2-2.

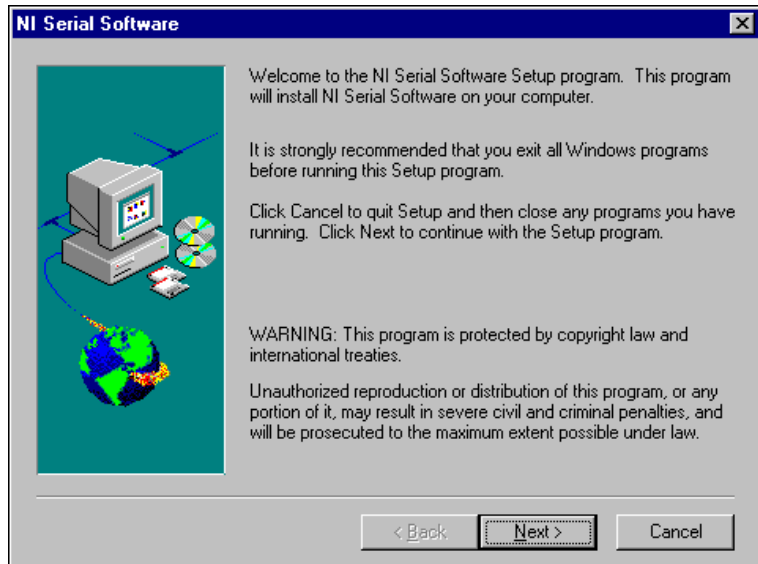


Figure 2-2. NI-Serial Setup Screen

The setup wizard guides you through the necessary steps to install the NI-Serial software. You can go back and change values where appropriate by clicking on the **Back** button. You can exit the setup where appropriate by clicking on the **Cancel** button.



Note This installation backs up the Microsoft Windows NT serial driver `serial.sys` to `serial.bak` and then overwrites `serial.sys`. You can find `serial.sys` in the Windows NT `....\system32\drivers` directory.

The software installation is complete. Proceed to the next section, *Install the AT Serial Hardware*.

Install the AT Serial Hardware

This section describes how to install your AT serial board.



Note If you are installing an AT-485, you might need to adjust the value of the bias resistors, depending on your application. For more information, refer to Appendix A, [Serial Port Information](#).



Caution Electrostatic discharge can damage several components on your board. To avoid such damage in handling the board, touch the antistatic plastic package to a metal part of your computer chassis before removing the board from the package.

Complete the following steps to install your AT serial board:

1. Turn off your computer. Keep the computer plugged in so that it remains grounded while you install the AT serial board.
2. Remove the top or side cover of the computer.
3. Remove the expansion slot cover on the back of the computer.
4. Insert the AT serial board into an unused slot with the serial connectors sticking out of the opening on the back panel. Make sure that you insert the board all the way into the slot. The board may seem to click firmly into place, even though it is only part of the way in. Figure 2-3 shows the installation of an AT serial board.

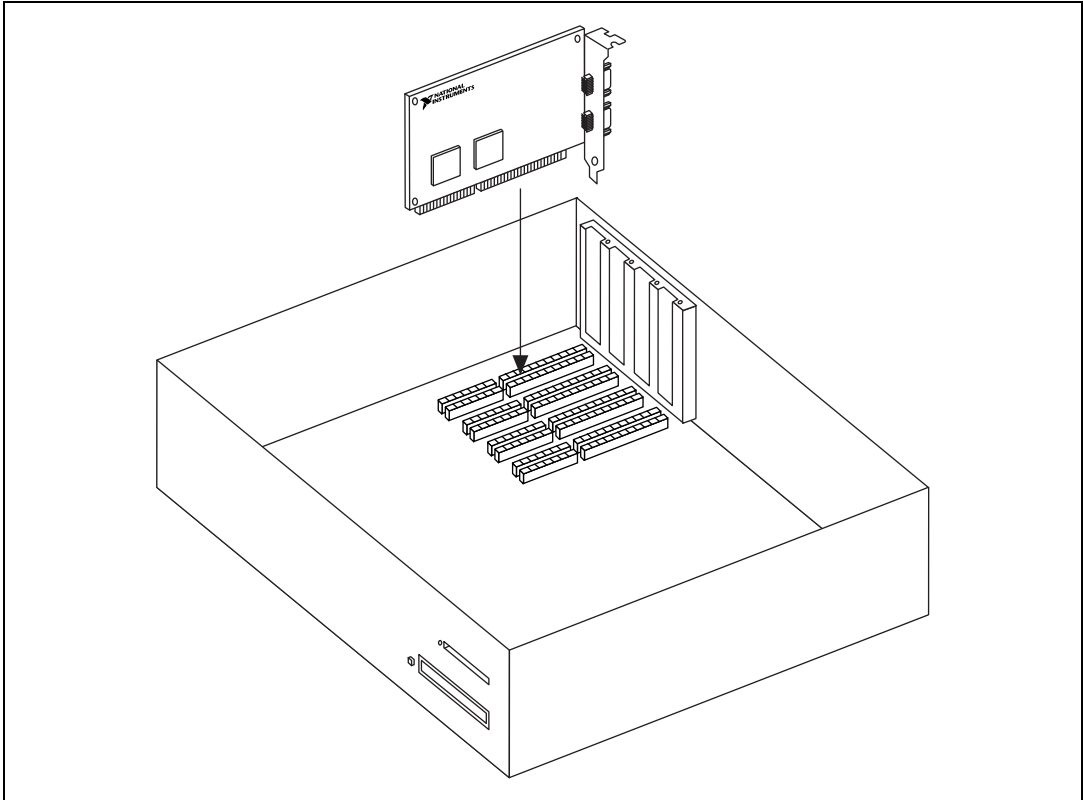


Figure 2-3. AT Serial Board Installation

5. Screw the mounting bracket of the AT serial board to the back panel rail of the computer.
6. Replace the cover, and turn on your computer.
7. Windows NT displays one or more **New Hardware Found** dialog boxes, depending on your serial hardware. In each dialog box, make sure that **Windows Default Driver** is selected, and click on **OK**.
8. The serial configuration software displays a **PnP Port Configuration** dialog box. Select a nonconflicting base I/O address and IRQ setting for the port/card, and click on **OK**. For more information on selecting resources for your post/card, refer to the *Resource Settings* section of Chapter 3, *Configuration*.
9. After you have selected the resources for all ports, choose to restart the computer when the system prompts you.

The serial hardware installation is now complete.

Verify the Installation

Determine Which Physical Port Is Associated with COMx

Select **Start»Settings»Control Panel**, and double-click on **niports**. A list showing installed National Instruments ports with their logical COMx names appears. If your interface is not on the list, refer to Appendix C, *Troubleshooting and Common Questions*.

Select the COM port you want and click on the **Settings** button to display the **General Port Settings** dialog box for that port. This dialog box displays the serial number of the serial hardware and the physical port number starting at 1. On all serial hardware, PORT1 refers to the top port, PORT2 refers to the next port down, and so on.

When you have finished verifying the driver installation and physical port, proceed to the next section, *Run the Diagnostic Test*.

Run the Diagnostic Test

To verify and test the installation, run the diagnostic program that came with your NI-Serial software. The diagnostic program verifies that your serial driver is installed properly, that the configuration of your hardware does not conflict with anything else in your system, and that the serial driver can communicate with your hardware correctly.

To run the test, select the **diagnostics** item under **Start»Programs»National Instruments Serial**.

If the diagnostic test completes with no failures, your serial hardware and software are installed properly. If it fails, refer to Appendix A, *Troubleshooting and Common Questions*, for troubleshooting instructions.

Connect the Cables

For the two-port AT serial boards, you can use the standard DB-9 connector found on most serial cables. To use the DB-9 connector with the four-port AT serial boards, you need the 10-position modular jack to DB-9 cable (available from National Instruments). This cable is included with the isolated four-port kits. You can also use a DB-25 connector with the four-port AT serial boards by ordering the 10-position modular jack to DB-25 cable from National Instruments.



Note To achieve the specified isolation voltage for four-port isolated AT boards, use ONLY the 10-position modular jack to DB-9 cable included in your four-port isolated AT serial board kit.

DB-9 Connector

Figure 2-4 and Table 2-1 give the pin locations and descriptions of the DB-9 connector, which is found on the two-port AT serial board and the 10-position modular jack to DB-9 cable.

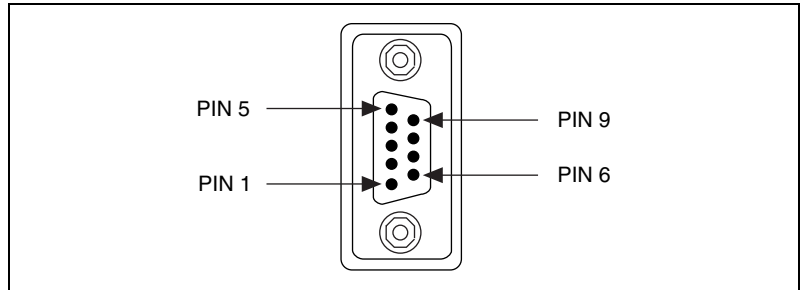


Figure 2-4. DB-9 Connector Pin Locations

Table 2-1. DB-9 Pin Descriptions

DB-9 Pin	232 Signal	485 Signal
Pin 1	DCD*	GND
Pin 2	RXD	CTS+ (HSI+)
Pin 3	TXD	RTS+ (HSO+)
Pin 4	DTR*	RXD+
Pin 5	GND	RXD-
Pin 6	DSR*	CTS- (HSI-)
Pin 7	RTS	RTS- (HSO-)
Pin 8	CTS	TXD+
Pin 9	RI*	TXD-

* These signals are not supported by the isolated 232 ports.

Modular Jack Connector

Figure 2-5 and Table 2-2 give the pin locations and descriptions of the 10-position modular jack, which is found on the four-port AT serial board.

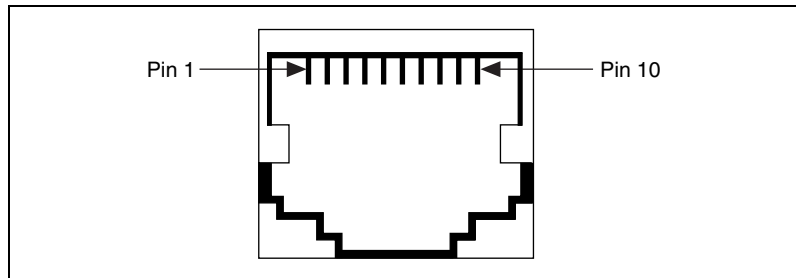


Figure 2-5. 10-Position Modular Jack Pin Locations

Table 2-2. 10-Position Modular Jack Pin Descriptions

10-Position Modular Jack	AT-232 Signal	AT-485 Signal
Pin 10	DCD*	GND
Pin 9	RXD	CTS+ (HSI+)
Pin 8	TXD	RTS+ (HSO+)
Pin 7	DTR*	RXD+
Pin 6	GND	RXD-
Pin 5	DSR*	CTS- (HSI-)
Pin 4	RTS	RTS- (HSO-)
Pin 3	CTS	TXD+
Pin 2	RI*	TXD-
Pin 1	No Connect	No Connect

* These signals are not supported by the isolated 232 ports.

DB-25 Connector

Figure 2-6 and Table 2-3 give the pin locations and descriptions of the DB-25 connector, which is on the optional 10-position modular jack to DB-25 cable.

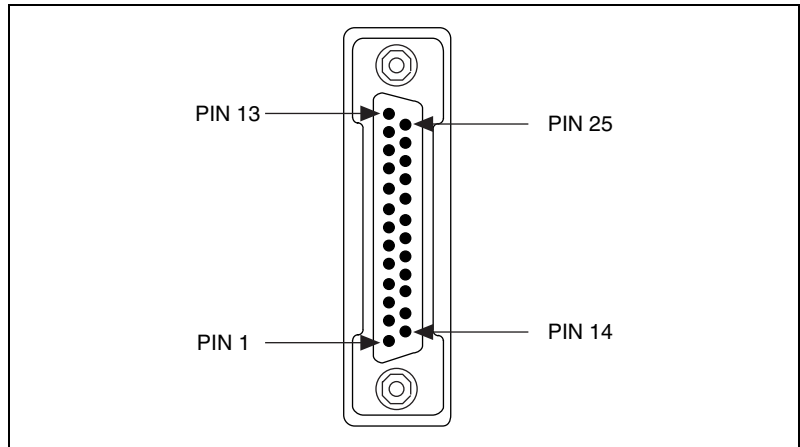


Figure 2-6. DB-25 Connector Pin Locations

Table 2-3. DB-25 Pin Descriptions

DB-25 Pin	AT-232 Signal	AT-485 Signal
Pin 2	TXD	RTS+ (HSO+)
Pin 3	RXD	CTS+ (HSI+)
Pin 4	RTS	RTS- (HSO-)
Pin 5	CTS	TXD+
Pin 6	DSR*	CTS- (HSI-)
Pin 7	GND	RXD-
Pin 8	DCD*	GND
Pin 20	DTR*	RXD+
Pin 22	RI*	TXD-

Pins not listed in this table are No Connect.
 * These signals are not supported by the isolated 232 ports.

Figure 2-7 shows how to connect the cables when you install a four-port version of the AT serial board.

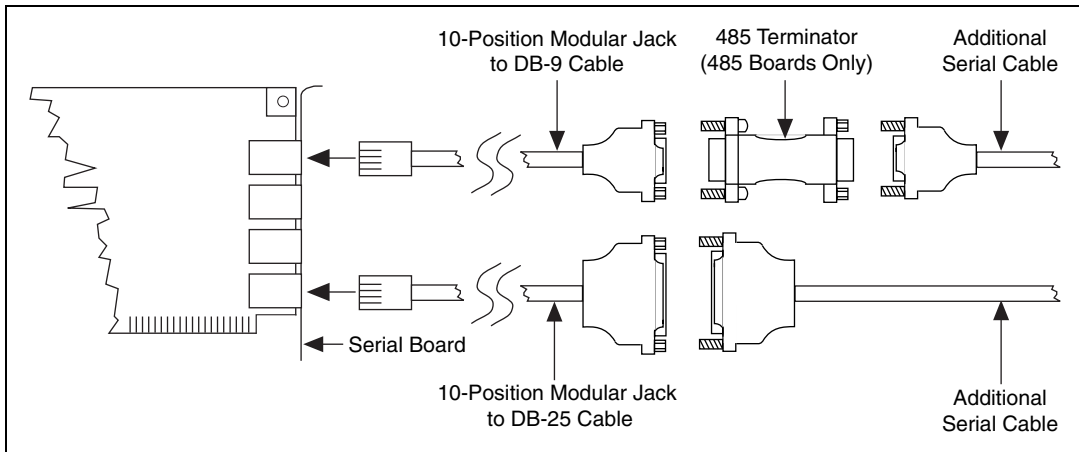


Figure 2-7. Connecting the Cables to Your Four-Port AT Serial Board

Connecting Two-Wire Devices

The AT-485 boards are designed to work with either two- or four-wire devices. If you are using a two-wire device, refer to the device documentation for specific wiring instructions.

In general, half-duplex networks use a single twisted pair of wires for communication in both directions, so you must connect both the transmitter and the receiver at each end of the same pair of wires. For example, to connect an RS-485 data acquisition device to a port on your AT-485 using half-duplex communication, you need a single twisted pair of wires. At the AT-485, connect the TXD+ and RXD+ signals (pins 8 and 4 on a DB-9 connector, pins 5 and 20 on a DB-25 connector) together and to one wire. Connect the other end of this wire to both the TXD+ and RXD+ signals on the data acquisition device. You use the same method to connect the TXD- and RXD- signals (pins 9 and 5 on a DB-9 connector, pins 22 and 7 on a DB-25 connector) to the second wire.

Refer to Chapter 4, *Using Your Serial Hardware*, for information on setting the transceiver mode for two-wire communication. Refer to Appendix A, *Serial Port Information*, for more information on duplex architectures.

Configuration

This chapter contains instructions to help you view or change the communication port settings.

Change/View Communication Port Settings

The serial configuration utility is fully integrated with the Windows NT Control Panel. You can use it to examine or modify the configuration of the serial port.

Follow these steps to configure the serial port.

1. Select **Start»Settings»Control Panel** and double-click on the **niports** icon. A list of National Instruments ports appears, as shown in Figure 3-1.

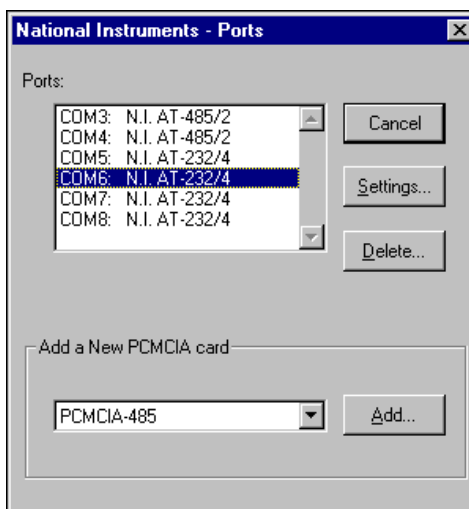


Figure 3-1. niports Configuration Utility

2. Select the port you are interested in.
3. Click on the **Settings** button to view or configure the port settings. Refer to the next section, *General Port Settings*, for more information.

4. Click on the **Resources** button in the **General Port Settings** dialog box to view or configure the resources for the port. Refer to the [Resource Settings](#) section, later in this chapter, for more information.
5. Click on **Delete** to remove hardware information about the port from Windows NT. You should do this before you remove the serial interface from the system.

General Port Settings

This section describes the options you can set in the **General Port Settings** dialog box, shown in Figure 3-2.

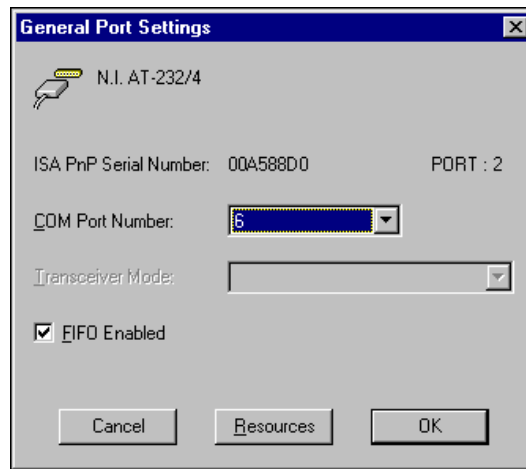


Figure 3-2. General Port Settings Dialog Box

COM Port Number

You can use the **COM Port Number** control to change the COM x name of the port selected.

Transceiver Mode

The transceiver mode selection shows the transceiver mode in use, and applies only to AT-485 boards. Refer to Chapter 4, [Using Your Serial Hardware](#), for more information about transceiver modes. If you use two-wire **TXRDY** mode, FIFOs must be enabled.

FIFO Enabled

You can use the **FIFO Enabled** control to enable or disable the FIFO buffers on the serial port. FIFO buffers are present on the 16550-compatible UARTs—one for the transmitter and one for the receiver.

FIFO Buffer Size

FIFO buffers are present on the 16550-compatible UARTs—one for the transmitter and one for the receiver. The receiver FIFO trigger denotes the number of characters received in the FIFO before the PC is interrupted to read the data. The transmit FIFO trigger denotes the maximum number of bytes written to the FIFO in a block when the PC is interrupted to write the data. Consider the following points when selecting FIFO settings:

- You can select larger FIFO settings to reduce the number of interrupts and therefore minimize system overhead.
- If transfer rates are high, you can lower receive FIFO settings to reduce the number of interrupts and therefore prevent overrun errors due to interrupt latency.
- If data transfer sizes are small, selecting receive FIFO settings just above data sizes can reduce efficiency, so select lower settings.

Resources

Click on the **Resources** button to display the resource configuration dialog box for the port. For more information on resource configuration, refer to the next section, [Resource Settings](#).

Resource Settings

The following sections explain the resource configuration options for each serial interface.

AT Boards (Shared IRQ)

Figure 3-3 shows the **PnP Port Configuration** dialog box for an AT-232/4 with shared IRQ. The dialog boxes for other shared IRQ AT boards are similar.

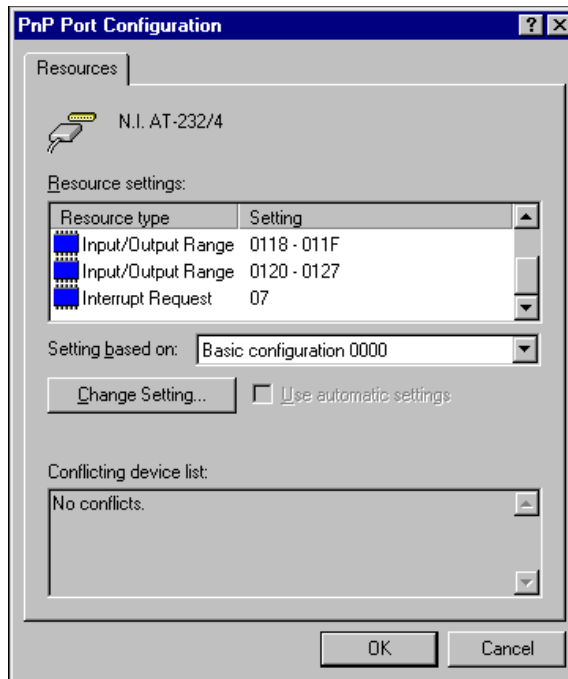


Figure 3-3. PnP Port Configuration Dialog Box for the AT-232/4

Each shared IRQ AT board requires multiple base I/O settings (one for each port) and one IRQ that is shared between the ports.

Input/Output Range:

Each **Input/Output Range** listing displays the I/O address ranges assigned to the corresponding port on the board.

Interrupt Request:

The IRQ shared between the ports on the board.



Note The niports utility informs you if your resources conflict with the resources of any other interface in the system. It does not check for conflicts with ports on the same board. Make sure to assign base I/O addresses that do not conflict with those assigned to another port on the same board.



Note If you are unable to change the base I/O address by double-clicking on the Input/Output Range control, select a different Basic Configuration in the Setting based on: control.

AT Boards (Non-Shared IRQ)

Each port on the board requires one I/O window and one IRQ.

Input/Output Range: The base I/O address range assigned to the port.

IRQ: The IRQ assigned to the port.

Using Your Serial Hardware

This chapter describes how to set the hardware transceiver control mode for your RS-485 interfaces and lists some general programming requirements.

Advanced Transceiver Control for the AT-485

The AT-485 boards support four modes of hardware transceiver control. (Transceiver modes apply only to these interfaces.) You can use hardware flow control to enable and disable your transmitters and receivers to work on different bus topologies. Table 4-1 lists the status of the transmitters and receivers under each of the transceiver control modes.

Table 4-1. Transceiver Control Modes

Mode	Transmitter	Receiver
Four-wire mode	Always enabled	Always enabled
Two-wire mode: $\overline{\text{DTR}}$ with echo	Enabled with $\overline{\text{DTR}}$ unasserted	Always enabled
Two-wire mode: $\overline{\text{DTR}}$ controlled	Enabled with $\overline{\text{DTR}}$ unasserted	Enabled with $\overline{\text{DTR}}$ asserted
Two-wire mode: $\overline{\text{TXRDY}}$ auto control	Enabled with $\overline{\text{TXRDY}}$ asserted	Enabled with $\overline{\text{TXRDY}}$ unasserted



Note Signal names with an overscore, such as $\overline{\text{DTR}}$, indicate that the signal is active low.

Four-Wire Mode

Use the four-wire mode for most full-duplex systems. In this mode, the transmitter and receiver are always enabled. This mode is the default.

Two-Wire Mode: $\overline{\text{DTR}}$ with Echo

Use this mode in half-duplex systems where the $\overline{\text{DTR}}$ (Data Terminal Ready) line must control the transmitter. In the $\overline{\text{DTR}}$ -with-echo mode, the transmitter is tri-stated when the $\overline{\text{DTR}}$ signal of the UART (Universal

Asynchronous Receiver/Transmitter) is asserted. To transmit, your application must first clear the $\overline{\text{DTR}}$ bit to enable the transmitter. After the data is fully transmitted, your application once again sets the $\overline{\text{DTR}}$ bit to disable the transmitter. Because the receiver is always enabled in this mode, you not only receive packets from other devices, you also receive the packets sent from your transmitter.

Two-Wire Mode: $\overline{\text{DTR}}$ Controlled

This mode is similar to the two-wire, $\overline{\text{DTR}}$ -with-echo mode. Use this mode in half-duplex systems where the $\overline{\text{DTR}}$ line must control the transmitter. Although this mode uses the same method as the $\overline{\text{DTR}}$ -with-echo mode to control the transmitter, the hardware automatically disables the receiver whenever the transmitter is enabled. Thus, you do not receive packets that you have transmitted.

Two-Wire Mode: $\overline{\text{TXRDY}}$ Auto Control

In this mode, the hardware transparently enables the transmitter and receiver in a two-wire system. This mode removes the burden of flow control from the user software. By connecting the transmitter to the $\overline{\text{TXRDY}}$ (Transmit Ready) line, the hardware enables the transmitter for each byte to be transmitted. Also, the hardware disables the receiver whenever the transmitter is enabled, so you do not receive packets that you have transmitted.



Note It is recommended that you use the two-wire $\overline{\text{TXRDY}}$ auto control mode when you are communicating with a two-wire device. Because this mode handles the transmitter/receiver enabling for a two-wire connection in your hardware, it reduces the software overhead required to perform this operation in your application program. For more information about serial communication in two- or four-wire modes, refer to the section [Serial Communication Issues](#) in Appendix A, [Serial Port Information](#).

Setting the Transceiver Control Mode

The recommended method for setting the transceiver control mode is with the serial configuration utility located in the Windows NT Control Panel. For more information, refer to the [General Port Settings](#) section in Chapter 3, [Configuration](#). The mode you select in the Control Panel is automatically configured when you open a port on a serial interface.

Setting the Transceiver Mode with DeviceIoControl

The NI-Serial software extends the Windows function `DeviceIoControl` for programming the transceiver control mode. To program the transceiver control mode using `DeviceIoControl`, complete the following steps.

1. Add the following lines to your source code.


```
#include <winioctl.h>

#define IOCTL_SERIAL_SET_TRANSCEIVER_MODE
CTL_CODE(FILE_DEVICE_SERIAL_PORT, 37,
METHOD_BUFFERED, FILE_ANY_ACCESS)
```
2. Use the Win32 function `DeviceIoControl`. Use the defined control code value listed in Step 1 to set the transceiver mode, and the input buffer values (unsigned long) listed in Table 4-2 for programming different transceiver modes.

Table 4-2. DeviceIoControl Function Input Values

Transceiver Mode	DeviceIoControl Function Input Value
Four-wire mode	128
Two-wire mode: $\overline{\text{DTR}}$ with echo	129
Two-wire mode: $\overline{\text{DTR}}$ controlled	130
Two-wire mode: $\overline{\text{TXRDY}}$ auto control	131

For example, to set two-wire $\overline{\text{TXRDY}}$ auto control mode, use the following call:

```
ULONG TransceiverMode = 131;
DeviceIoControl(hDevice,
IOCTL_SERIAL_SET_TRANSCEIVER_MODE, (PVOID)
&TransceiverMode, sizeof(ULONG), lpOutBuffer,
nOutBufferSize, lpBytesReturned, lpOverlapped);
```

General Programming Requirements

Once installed, the NI-Serial software is integrated into the standard Windows NT communications software. NI serial ports are used like any other Windows NT communications (COM) port. Windows NT has standard communication functions for use within either 16-bit (Win16) applications or 32-bit (Win32) applications.

As you begin developing your application, remember that you must use the standard Microsoft Windows serial communication functions. For information about Microsoft Windows serial communication functions, refer to the *Win32 Software Development Kit*, online help for *Win32 Overviews*, and *Win32 Reference*.

If you have LabVIEW or LabWindows and want to use it with your serial hardware, refer to your LabVIEW or LabWindows documentation for information about serial I/O functions.

Serial Port Information

This appendix discusses the RS-232, RS-422, and RS-485 standards and explains some of the issues involved with these types of serial communication.

Table A-1 lists the features of the RS-232, RS-422, and RS-485 standards.

Table A-1. RS-232, RS-422, and RS-485 Features

Feature	RS-232	RS-422	RS-485
Type of transmission lines	Single ended	Differential	Differential
Maximum number of drivers	1	1	32
Maximum number of receivers	1	10	32
Maximum cable length	50 ft.	4,000 ft.	4,000 ft.
Maximum data rate	20 kbytes/s	10 Mbytes/s	10 Mbytes/s
Maximum CMV	± 25 V	± 7 V	+12 to -7 V
Driver output	5 to 25 V	2 to 6 V	1.5 to 6 V
Driver load	>3 k Ω	100 Ω	60 Ω

RS-232

RS-232, as specified in the ANSI/EIA-232-D Standard, *Interface Between Data Terminal Equipment and Data Circuit-Terminating Equipment Employing Serial Binary Data Interchange*, standardizes serial communication between computers and between computer terminals and modems. Most applications use the RS-232 standard for interfacing peripherals to personal computers. RS-232 uses transmission lines in which the state of each signal is represented by referencing the voltage level of a single line to ground. RS-232 was designed for serial communication up to

distances of 50 ft. and with data rates up to 20 kbytes/s. However, because of improvements in line drivers and cabling, you can often increase the actual performance of the bus past the limitations on speed and distance recommended in the specification.

RS-422

RS-422, as specified in the EIA RS-422-A Standard, *Electrical Characteristics of Balanced Voltage Digital Interface Circuits*, defines a serial interface much like RS-232. However, RS-422 uses balanced (or differential) transmission lines. Balanced transmission lines use two transmission lines for each signal. The state of each signal is represented, not by a voltage level on one line referenced to ground as in RS-232, but rather by the relative voltage of the two lines to each other. For example, the TX signal is carried on two wires, wire A and wire B. A logical 1 is represented by the voltage on line A being greater than the voltage on line B. A logical 0 is represented by the voltage on line A being less than the voltage on line B. Differential voltage transmission creates a signal that is much more immune to noise as well as voltage loss due to transmission line effects. Thus, you can use RS-422 for much longer distances (up to 4,000 ft.) and much greater transmission speeds (up to 10 Mbytes/s) than RS-232.

RS-485

RS-485, as specified in the EIA-485 Standard, *Standard for Electrical Characteristics of Generators and Receivers for Use in Balanced Digital Multipoint Systems*, expands on the RS-422 standard by increasing the number of devices you can use from 10 to 32 and by working with half-duplex bus architectures. Unlike the RS-422 standard, RS-485 addresses the issue of using multiple transmitters on the same line. RS-485 defines the electrical characteristics necessary to ensure adequate signal voltages under maximum load, short-circuit protection, and the ability to withstand multiple drivers driving conflicting signals at the same time.

Serial Communication Issues

This section explains some serial communication issues, such as duplex architectures, termination methods, bias resistors, and types of connecting equipment.

Duplex Architectures

Duplex refers to the means of bandwidth usage in a serial system. The two common means of bi-directional serial communication are full duplex and half duplex. Half-duplex communication involves a transmitter and a receiver connected to each end of the same wire or pair of wires. Because the same transmission line is used for both sending and receiving data, devices cannot send data in both directions at the same time. First, one device transmits over the wire(s) to the receiver of the second device. When the first device finishes transmitting, both devices switch the connections from their transmitter to their receiver or vice versa. The device that was receiving data can then transmit over the line.

In full-duplex communication, the devices use a separate wire (or pair of wires) for simultaneous transmission in each direction. Thus, there is no need to switch between transmitting and receiving.

In a differential serial bus (for example, RS-422 or RS-485), a half-duplex system can transmit and receive over the same twisted pair of wires. Thus, half-duplex communication is often referred to as *two-wire* communications. Likewise, full-duplex communication is often referred to as *four-wire* communications, because the full-duplex system uses a separate pair of wires for communication in each direction.

Full Duplex

A typical full-duplex multidrop bus architecture involves a master-slave protocol. Only one device, the master, can control access to the bus. All other devices are slaves. Slave devices must wait for the master to give them access to the bus. In a typical full-duplex system, one transmission line connects the bus master's transmitter to all of the slave receivers. A second transmission line connects all of the slave transmitters to the bus master's receiver. Because in a differential system each transmission line is composed of two separate wires, a full-duplex system is often referred to as a four-wire system. Figure A-1 shows a typical full-duplex system.

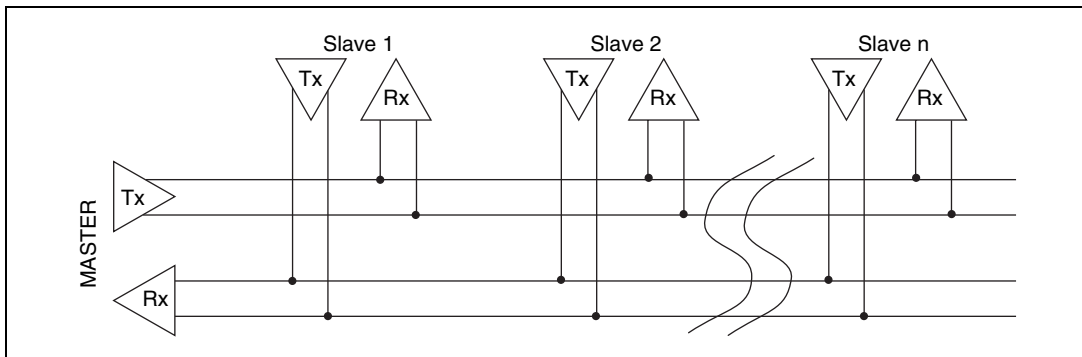


Figure A-1. Typical Full-Duplex System

Half Duplex

A typical half-duplex multidrop bus architecture also involves a master-slave protocol. In a half-duplex system, all transmitters and receivers are connected to the same transmission line. A half-duplex system is often referred to as a two-wire system. Figure A-2 shows a typical half-duplex system.

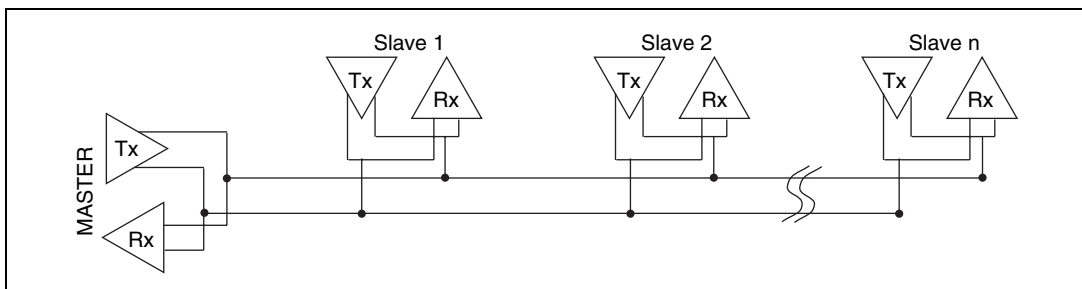


Figure A-2. Typical Half-Duplex System

Termination

Because each differential pair of wires is a transmission line, you must properly terminate the line to prevent reflections. A common method of terminating a two-wire multidrop RS-485 network is to install terminating resistors at each end of the multidrop network. If you daisy-chained multiple instruments together, you need a terminating resistor at only the first and last instruments. The terminating resistor should match the characteristic impedance of the transmission line (typically 100–120 Ω). National Instruments offers an optional DB-9 RS-485 termination connector that contains embedded terminating resistors for easy termination.

Figure A-3 shows a multidrop network using terminating resistors.

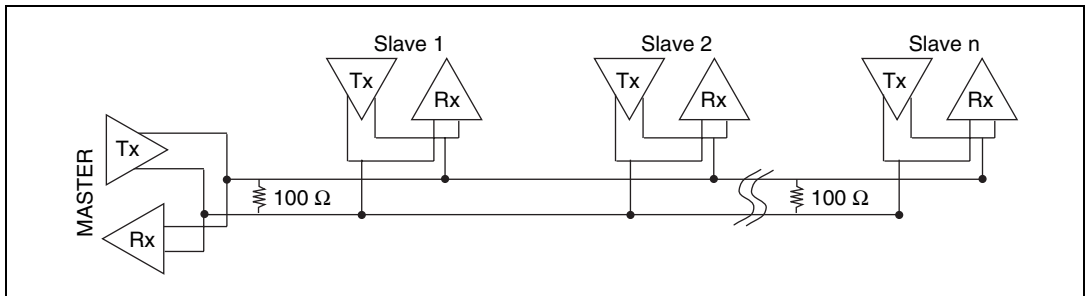


Figure A-3. Multidrop Network Using Terminating Resistors

Bias Resistors

A transmission line enters an indeterminate state if no nodes are transmitting on it. This indeterminate state can cause the receivers to receive invalid data bits from noise picked up on the cable. To prevent these data bits, you should force the transmission line into a known state. By installing two 620 Ω bias resistors at one node on the transmission line, you can create a voltage divider that forces the voltage between the differential pair to be less than 200 mV, the threshold voltage for the receiver. You should install these resistors on only one node.

Figure A-4 shows a transmission line using bias resistors.

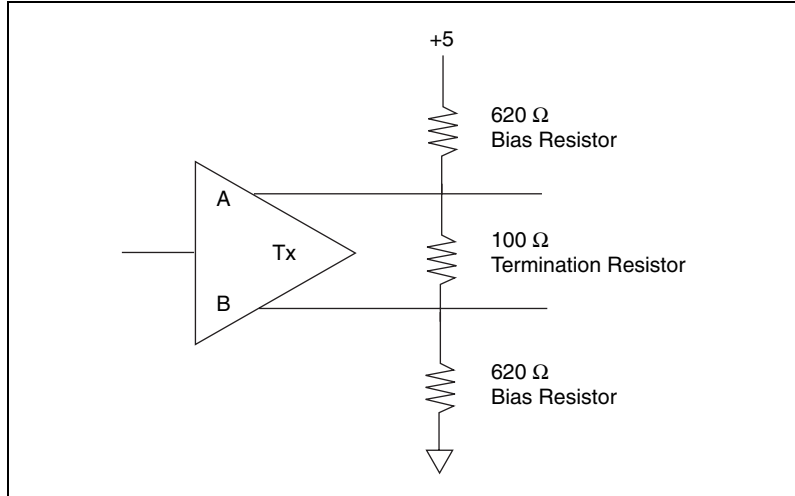


Figure A-4. Transmission Line Using Bias Resistors

Rather than using two 620 Ω resistors at one node, you can also increase the value of the resistors and put them at every node. For instance, if there are eight nodes in a system, you can use 4.7 k Ω resistors at each node to effectively achieve the same result.

DTE vs. DCE

Data Terminal Equipment (DTE) and Data Communications Equipment (DCE) were the terms used in the RS-232 specification for the types of equipment on either end of a serial connection. (A DCE is called Data Circuit-Terminating Equipment in Revision D of the RS-232 specification.) In general, DTE and DCE refer to computer equipment and modems, respectively. Because the RS-232 specification mainly involves connecting a DTE directly to a DCE and vice versa, the pinouts are defined so that cabling is simple. That is, a cable connected a computer to a modem by wiring pin 1 to pin 1, pin 2 to pin 2, and so on. This method is commonly known as *straight-through* cabling.

Figure A-5 shows straight-through cabling in a DTE-to-DCE interface.

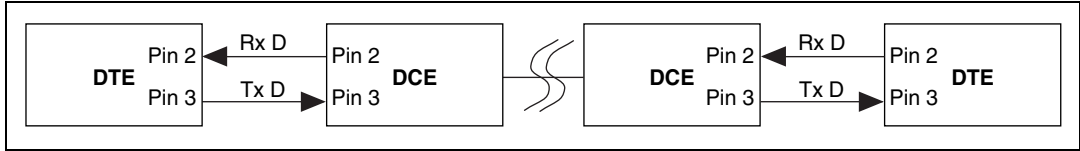


Figure A-5. Straight-Through Cabling in a DTE-to-DCE Interface

Straight-through cabling is still the standard method to connect a modem to your PC. However, because many applications use serial communication to connect two or more DTEs without modems, the cabling becomes more complicated. If two DTEs are wired together using a straight-through cable, one transmitter is connected to the other transmitter, and one receiver is connected to the other receiver. In this setup, no transmissions can occur. Thus, these applications must use a cabling scheme that connects the transmitter on one device to the receiver on the other device and vice versa. This method is known as *null-modem* cabling, because it replaces the two modems that traditional RS-232 applications would require between the two DTEs. You should use a null-modem cable to communicate from one serial port to another.

Figure A-6 shows null-modem cabling in a DTE-to-DTE interface.

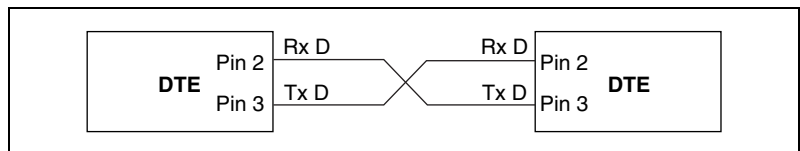


Figure A-6. Null-Modem Cabling in a DTE-to-DTE Interface

Uninstalling the Serial Hardware and Software

This appendix explains how to uninstall your serial hardware and NI-Serial software.

Removing the Hardware Information

Before physically removing the serial hardware, you must remove the hardware information from the Windows NT Control Panel.

Follow these steps to uninstall the hardware:

1. Double-click on the **niports** icon under **Start»Settings»Control Panel**.
2. Select the port to remove from the list of ports as shown in Figure B-1.

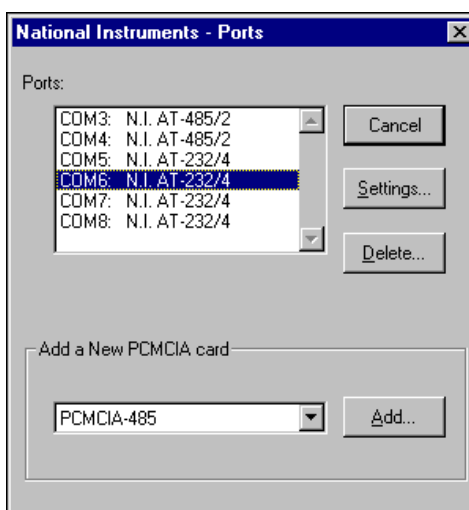


Figure B-1. Selecting an Interface to Uninstall

3. Click on the **Delete** button.



Note For shared IRQ AT boards, all ports on the interface are removed.

Uninstalling the NI-Serial Software

Before uninstalling the software, remove all serial port information from the Windows NT Control Panel, as described in the previous section. You do not need to shut down Windows NT before uninstalling the software.

Complete the following steps to remove the NI-Serial software.

1. Select **Start»Settings»Control Panel**.
2. Double-click on the **Add/Remove Programs** icon in the Control Panel to launch the Add/Remove Programs applet. A dialog box similar to the one in Figure B-2 appears. This dialog box lists the software available for removal.

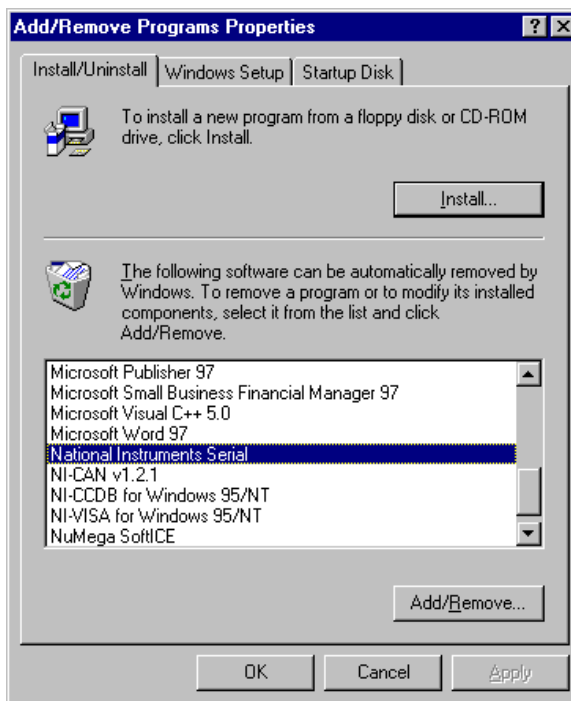


Figure B-2. Add/Remove Programs Properties Dialog Box

3. Select the serial software you want to remove, and click on the **Add/Remove** button. The uninstall program runs and removes all folders, utilities, and registry entries associated with the NI-Serial software. Figure B-3 shows the results of a successful uninstallation.

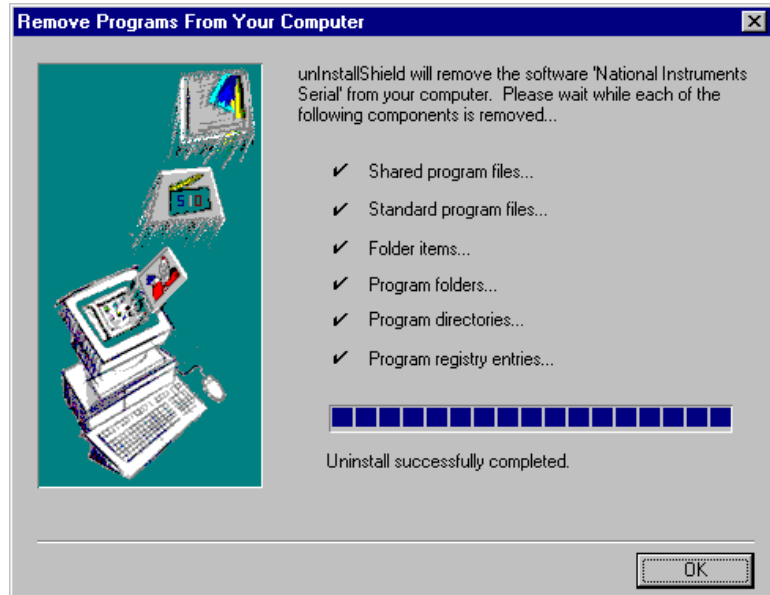


Figure B-3. Uninstallation Results

4. Shut down Windows NT, power off your computer, and remove your serial interfaces.

If you want to reinstall the hardware and software, refer to Chapter 2, *Installation and Verification*.



Troubleshooting and Common Questions

This appendix describes how to troubleshoot problems and answers some common questions.

Missing Serial Port in the niports List

The serial configuration utility **niports** contains configuration information for serial hardware it is aware of that is installed in your system.

To start the configuration utility, select **Start»Settings»Control Panel**, and double-click on the **niports** icon.

If your AT serial board is missing from the list, follow these steps:

1. Make sure the hardware is installed.
2. Make sure you have installed the Microsoft PnP ISA Enabler driver. **niports** cannot recognize the AT boards without the Microsoft PnP ISA Enabler driver. For more information, refer to the *Installing the Microsoft PnP ISA Enabler Driver* section of Chapter 2, *Installation and Verification*.

Resolving Resource Conflicts

Resource conflicts occur when your system contains hardware that is configured to use the same resources as your serial interface. The serial driver detects some resource conflicts when it loads. When the driver detects conflicts as it loads, it records an error message describing the conflict. You can use the Event Viewer to see which resource is in conflict. To run the Event Viewer, select **Start»Programs»Administrative Tools»Event Viewer**.

After you have identified the resource that caused the conflict, use the serial configuration utility, **niports**, to reconfigure your serial interface so that it uses conflict-free resources. For more information, refer to Chapter 3, *Configuration*.

To help in the selection of conflict-free resources, Microsoft has provided a utility called Windows NT Diagnostics. This utility displays a list of the I/O port addresses, IRQ levels, and DMA channels that are currently being used in your system. Assign resources not listed by this utility to your serial interface.

To run the Windows NT Diagnostics, select **Start»Programs»Administrative Tools»Windows NT Diagnostics**.

Troubleshooting Diagnostic Messages

This section lists possible diagnostic error messages, along with solutions.

- If the **No National Instruments serial port found** error message appears, refer to Chapter 2, *Installation and Verification*, to follow these troubleshooting steps:
 1. Verify the hardware resources. To verify the hardware resources, click on the **Resources** button on the **General Port Settings** page. For more information about resource conflicts, refer to Chapter 3, *Configuration*.
 2. Verify that the National Instruments serial driver is installed. Use the Windows Explorer to display the **Properties** of `serial.sys`.
 3. If either the serial hardware or `serial.sys` file is missing, reinstall the hardware and software. You should find `serial.sys` in the `\WinNT\system32\drivers` directory.
- If the utility reports fewer ports installed than it should, refer to Chapter 2, *Installation and Verification*, and follow these troubleshooting steps:
 1. Verify the hardware resources.
 2. Verify that the National Instruments serial driver is installed. Use the Windows Explorer to display the **Properties** of `serial.sys`.
 3. Check the hardware installation to make sure the correct number of boards/ports are installed.

- If the **I/O address test failed, Interrupt test cannot be performed.** error message appears, verify the hardware resources as described in Chapter 3, *Configuration*. If the test still fails, you probably have an I/O address conflict with legacy boards in your system. Use the **niports** configuration utility to change the base I/O addresses assigned to your ports. For more information, refer to Chapter 3, *Configuration*.
- If the **Interrupt test failed** error message appears, verify the hardware resources as described in Chapter 3, *Configuration*. If the test still fails, you probably have an IRQ conflict with legacy boards in your system. Use the **niports** configuration utility to change the IRQ level assigned to your port. For more information, refer to Chapter 3, *Configuration*.

Common Questions

How can I determine which type of serial hardware I have installed?

Double-click on the **niports** icon under **Start»Settings»Control Panel** to display a list of installed ports.

What do I do if the diagnostic test fails with an error?

Refer to the troubleshooting sections of this manual for specific information about what might cause the test to fail.

How can I determine which port is associated with COMx?

Refer to the section *Determine Which Physical Port Is Associated with COMx*, in Chapter 2, *Installation and Verification*.

How can I change the COM number of my National Instruments serial ports?

Refer to the *General Port Settings* section in Chapter 3, *Configuration*.

How can I determine which version of the NI-Serial software I have installed?

The **Read Me** file gives the version of the software. To read the file, select **Read Me** under **Start»Programs»National Instruments Serial**.

How many interrupts are required for my serial interface?

If you have a shared IRQ card or an isolated serial card, you need one interrupt per card. This is the hardware that currently ships with Windows NT.

If you have an older, non-shared IRQ card, you need as many interrupts as there are ports on the card.

Specifications

This appendix describes the characteristics of the serial hardware, the NI-Serial software, and the recommended operating conditions.

Hardware Specifications

Table D-1. Physical Characteristics of the Two-Port AT Serial Boards (Non-Isolated)

Characteristic	Specification
Dimensions	10.67 by 16.51 cm (4.2 by 6.5 in.)
I/O Connector	DB-9
Power Requirement (from PC AT I/O channel)	
AT-485/2	+5 VDC 390 mA Typical 510 mA Maximum
AT-232/2	+5 VDC 260 mA Typical 340 mA Maximum
AT-485/2 (Shared IRQ)	+5 VDC 140 mA Typical 180 mA Maximum
AT-232/2 (Shared IRQ)	+5 VDC 70 mA Typical 100 mA Maximum

Table D-2. Physical Characteristics of the Two-Port Isolated AT Serial Boards

Characteristic	Specification
Dimensions	10.67 by 18.70 cm (4.2 by 7.4 in.)
I/O Connector	DB-9
Isolation Voltage	
From Port to Port	3000 Vrms/60s
From Any Port to Host Computer	2000 Vrms/60s
Power Requirement (from PC AT I/O channel)	
AT-485/2 Isolated	+5 VDC 220 mA Typical 260 mA Maximum
AT-232/2 Isolated	+5 VDC 160 mA Typical 200 mA Maximum

Table D-3. Physical Characteristics of the Four-Port AT Serial Boards (Non-Isolated)

Characteristic	Specification
Dimensions	10.67 by 16.51 cm (4.2 by 6.5 in.)
I/O Connector	10-position modular jack
Power Requirement (from PC AT I/O channel)	
AT-485/4	+5 VDC 160 mA Typical 200 mA Maximum
AT-232/4	+5 VDC 110 mA Typical 150 mA Maximum
AT-485/4 (Shared IRQ)	+5 VDC 160 mA Typical 200 mA Maximum
AT-232/4 (Shared IRQ)	+5 VDC 110 mA Typical 150 mA Maximum
* The four-port AT serial board requires cables to convert the 10-position modular jack to either DB-9 or DB-25 connectors.	

Table D-4. Physical Characteristics of the Four-Port Isolated AT Serial Boards

Characteristic	Specification
Dimensions	10.67 by 25.40 cm (4.2 by 10.0 in.)
I/O Connector	10-position modular jack
Isolation Voltage	
From Port to Port	3000 Vrms/60s
From Any Port to Host Computer	2000 Vrms/60s
Power Requirement (from PC AT I/O channel)	
AT-485/4 Isolated	+5 VDC 300 mA Typical 360 mA Maximum
AT-232/4 Isolated	+5 VDC 280 mA Typical 320 mA Maximum
* The four-port isolated AT serial board requires cables, which are included in your kit, to convert the 10-position modular jack to a DB-9 connector. Use only the types of cables provided in your kit.	

Table D-5. Environmental Characteristics of the Serial Hardware

Characteristic	Specification
Operating Environment	
Component Temperature	0 to 70° C
Relative Humidity	10 to 90%, noncondensing
Storage Environment	
Temperature	-40 to 120° C
Relative Humidity	5 to 90%, noncondensing
EMI	
AT Serial	FCC Class B Verified
AT Serial Isolated	FCC Class A Verified

Software Specifications

Table D-6. Software Characteristics

Characteristic	Specification
Maximum Serial Transfer Rate	115,200 bps*
* Actual speed may vary considerably from speed shown due to system and instrumentation capabilities.	

Technical Support Resources

Web Support

National Instruments Web support is your first stop for help in solving installation, configuration, and application problems and questions. Online problem-solving and diagnostic resources include frequently asked questions, knowledge bases, product-specific troubleshooting wizards, manuals, drivers, software updates, and more. Web support is available through the Technical Support section of ni.com

NI Developer Zone

The NI Developer Zone at ni.com/zone is the essential resource for building measurement and automation systems. At the NI Developer Zone, you can easily access the latest example programs, system configurators, tutorials, technical news, as well as a community of developers ready to share their own techniques.

Customer Education

National Instruments provides a number of alternatives to satisfy your training needs, from self-paced tutorials, videos, and interactive CDs to instructor-led hands-on courses at locations around the world. Visit the Customer Education section of ni.com for online course schedules, syllabi, training centers, and class registration.

System Integration

If you have time constraints, limited in-house technical resources, or other dilemmas, you may prefer to employ consulting or system integration services. You can rely on the expertise available through our worldwide network of Alliance Program members. To find out more about our Alliance system integration solutions, visit the System Integration section of ni.com

Worldwide Support

National Instruments has offices located around the world to help address your support needs. You can access our branch office Web sites from the Worldwide Offices section of ni.com. Branch office Web sites provide up-to-date contact information, support phone numbers, e-mail addresses, and current events.

If you have searched the technical support resources on our Web site and still cannot find the answers you need, contact your local office or National Instruments corporate. Phone numbers for our worldwide offices are listed at the front of this manual.

Glossary

Prefix	Meaning	Value
p-	pico-	10^{-12}
n-	nano-	10^{-9}
μ -	micro-	10^{-6}
m-	milli-	10^{-3}
k-	kilo-	10^3
M-	mega-	10^6
G-	giga-	10^9
t-	tera-	10^{12}

° degrees

% percent

Ω ohms

A amperes

ANSI American National Standards Institute

b bits

B bytes

baud bits per second

bps bits per second

C Celsius

COM Computer Output Microform

CTS Clear To Send

DB- <i>xx</i>	subminiature D connector (where <i>xx</i> is the number of pins)
DCD	Data Carrier Detect
DCE	Data Communications Equipment or Data Circuit-Terminating Equipment
DMA	direct memory access
DSR	Data Set Ready
DTE	Data Terminal Equipment
$\overline{\text{DTR}}$	Data Terminal Ready (where the overscore denotes that the signal is active low)
EIA	Electronic Industries Association
EMI	electromagnetic interference
FCC	Federal Communications Commission
FIFO	first-in-first-out
ft.	feet
GND	Ground
HSI	Handshake Input
HSO	Handshake Output
Hz	hertz
IEEE	Institute of Electrical and electronic Engineers
in.	inches
I/O	input/output
IRQ	interrupt request
ISA	Industry Standard Architecture
Kbaud	kilobits per second

m	meters
MB	megabytes of memory
PC	personal computer
PCI	Peripheral Components Interconnect
PCMCIA	Personal Computer Memory Card International Association
PnP	Plug and Play
RAM	random-access memory
RI	Ring Indicator
RTS	Request to Send
RX	Receive
RXD	Receive Data
s	seconds
SCSI	Small Computer Systems Interface
TX	Transmit
TXD	Transmit Data
<u>TXRDY</u>	Transmit Ready (where the overscore denotes that the signal is active low)
UART	universal asynchronous receiver/transmitter
V	volts
VDC	volts direct current
VXI	VME eXtensions for Instrumentation

Index

Numerics

- 10-position modular jack, 2-8
 - pin descriptions (table), 2-8
 - pin locations (figure), 2-8

A

- add/remove programs properties dialog box (figure), 2-2, B-2
- advanced transceiver control for the AT-485, 4-1
 - four-wire mode, 4-1
 - setting transceiver control mode, 4-2
 - transceiver mode control modes (table), 4-1
 - two-wire mode: $\overline{\text{DTR}}$ controlled, 4-2
 - two-wire mode: $\overline{\text{DTR}}$ with Echo, 4-1
 - two-wire mode: $\overline{\text{TXRDY}}$ auto control, 4-2
- AT serial board installation (figure), 2-5
- AT-485, 2-10
 - advanced transceiver control for, 4-1
 - setting transceiver control mode, 4-2
 - transceiver mode control modes (table), 4-1
 - two-wire mode: $\overline{\text{DTR}}$ controlled, 4-2
 - two-wire mode: $\overline{\text{DTR}}$ with Echo, 4-1
 - two-wire mode: $\overline{\text{TXRDY}}$ auto control, 4-2

B

- bias resistors, A-5
 - using in transmission line (figure), A-6

C

- cable connection, 2-6
- changing communication port settings, 3-1
- COM port number, 3-2

- common questions, C-3
 - determining number of interrupts required for a serial interface, C-4
 - determining port associated with COM x , C-3
 - determining type of serial hardware installed, C-3
 - determining version of NI-Serial software installed, C-3
 - diagnostic test failure, C-3
 - naming National Instruments serial ports, C-3
- communication port settings, 3-1
 - viewing or changing, 3-1
- communication port settings configuration, 3-1 configuration, 3-1
 - resource settings, 3-4
- connecting cables, 2-6
- connecting cables to four-port AT serial board (figure), 2-10
- connecting two-wire devices, 2-10
- conventions, *xi*
- customer education, E-1

D

- DB-25 connector, 2-9
 - pin descriptions (table), 2-9
 - pin locations (figure), 2-9
- DB-9 connector, 2-7
 - pin descriptions (table), 2-7
 - pin locations (figure), 2-7
- DCE vs. DTE, A-6
- determining number of interrupts required for a serial interface, C-4
- determining port associated with COM x , 2-6, C-3

- determining type of serial hardware
 - installed, C-3
- determining version of NI-Serial software
 - installed, C-3
- development tools for saving time, 1-4
- DeviceloControl, 4-3
 - input values (table), 4-3
 - setting transceiver mode with, 4-3
- diagnostic messages, C-2
 - troubleshooting, C-2
- diagnostic test failure, C-3
- DTE vs. DCE, A-6
- DTE-to-DCE interface, A-7
 - straight-through cabling in (figure), A-7
- DTE-to-DTE interface, A-7
 - null-modem cabling in (figure), A-7
- duplex architectures, A-3
 - full duplex, A-4
 - half duplex, A-4

E

- environmental characteristics, D-3

F

- FIFO buffer size, 3-3
- FIFO enabled, 3-3
 - FIFO buffer size, 3-3
- four-port boards
 - connecting cables to (figure), 2-10
- four-wire mode, 4-1
- full duplex, A-4
 - full-duplex system (figure), A-4

G

- general port settings, 3-2
 - COM port number, 3-2
 - dialog box (figure), 3-2
 - FIFO enabled, 3-3

- resources, 3-3
- transceiver mode, 3-2
- general programming requirements, 4-4
- getting started, 1-2
- glossary, G-1

H

- half duplex, A-4
 - half-duplex system (figure), A-4
- hardware installation, 2-4
 - getting started, 1-2
 - verification, 2-6
- hardware specifications, D-1

I

- installation
 - AT serial board installation (figure), 2-5
 - determining port associated with
 - COMx, 2-6
 - getting started, 1-2
 - installing the PnP ISA Enabler Driver, 2-1
 - running the diagnostic test, 2-6
 - serial hardware, 2-4
 - serial software, 2-1
 - verification, 2-1
 - verifying hardware installation, 2-6
- installing the PnP ISA Enabler Driver, 2-1
- introduction, 1-1

L

- LabVIEW, 1-4
 - using with serial hardware, 1-5
- LabWindows/CVI, 1-4
 - using with serial hardware, 1-5

M

- missing serial port in the niports list, C-1
- modular jack connector, 2-8
 - pin descriptions (table), 2-8
 - pin locations (figure), 2-8
- multidrop network using terminating resistors (figure), A-5

N

- naming National Instruments serial ports, C-3
- National Instruments Web support, E-1
- NI Developer Zone, E-1
- NI serial setup screen (figure), 2-3
- niports configuration utility (figure), 3-1
- null-modem cabling in a DTE-to-DTE interface (figure), A-7

O

- optional equipment, 1-2
- overview of serial hardware, 1-2
- overview of serial software, 1-4

P

- physical characteristics
 - four-port isolated serial boards, D-3
 - four-port serial boards, D-2
 - two-port serial boards, D-1
- physical characteristics of two-port isolated serial boards, D-2
- pin descriptions
 - DB-25
 - connector, 2-9
 - connector pin descriptions (table), 2-9
 - connector pin locations (figure), 2-9

DB-9

- connector, 2-7
- connector pin descriptions (table), 2-7
- connector pin locations (figure), 2-7
- PnP port configuration dialog box for the AT-232/4 (figure), 3-4

R

- related documentation, *xii*
- resolving resource conflicts, C-1
- resource settings, 3-4
 - AT boards (non-shared IRQ), 3-5
 - AT boards (shared IRQ), 3-4
- RS-232 standard, A-1
 - features (table), A-1
- RS-422 standard, A-2
 - features (table), A-1
- RS-485 standard, A-2
 - features (table), A-1
- running the diagnostic test, 2-6

S

- selecting an interface to uninstall (figure), B-1
- serial communication issues, A-3
 - bias resistors, A-5
 - DTE vs. DCE, A-6
 - duplex architectures, A-3
- serial hardware
 - general programming requirements, 4-4
 - installation, 2-4
 - overview, 1-2
 - selecting an interface to uninstall (figure), B-1
 - uninstalling, B-1
 - using, 4-1
 - using with LabVIEW and LabWindows/CVI, 1-5

- serial port information, A-1
- serial software
 - add/remove programs properties dialog box (figure), B-2
 - installation, 2-1
 - overview, 1-4
 - successful uninstallation (figure), B-3
 - uninstalling, B-2
- setting transceiver control mode, 4-2
 - setting with DeviceloControl, 4-3
- setup screen for NI serial software (figure), 2-3
- software installation, 2-1
 - getting started, 1-2
- software specifications, D-4
- specifications, D-1
 - environmental characteristics, D-3
 - hardware specifications, D-1
 - physical characteristics
 - four-port isolated serial boards, D-3
 - four-port serial boards, D-2
 - two-port serial boards, D-1
 - physical characteristics of two-port isolated serial boards, D-2
 - software specifications, D-4
- straight-through cabling in a DTE-to-DCE interface (figure), A-7
- successful uninstallation (figure), B-3
- system integration, by National Instruments, E-1

T

- technical support resources, E-1
- termination, A-5
 - multidrop network using terminating resistors (figure), A-5
- time-saving development tools, 1-4
- transceiver control modes (table), 4-1
- transceiver mode, 3-2
 - setting with DeviceloControl, 4-3

- transmission line using bias resistors (figure), A-6
- troubleshooting, C-1
 - diagnostic messages, C-2
 - missing serial port in the niports list, C-1
 - resolving resource conflicts, C-1
- two-wire devices, 2-10
 - connecting, 2-10
- typical full-duplex system (figure), A-4
- typical half-duplex system (figure), A-4

U

- uninstalling serial hardware, B-1
- uninstalling serial software, B-2
- using serial hardware, 4-1
- using this manual, 1-1

V

- verifying hardware installation, 2-6
- viewing or changing communication port settings, 3-1

W

- Web support from National Instruments, E-1
- worldwide technical support, E-2