

COMPREHENSIVE SERVICES

We offer competitive repair and calibration services, as well as easily accessible documentation and free downloadable resources.

SELL YOUR SURPLUS

We buy new, used, decommissioned, and surplus parts from every NI series. We work out the best solution to suit your individual needs.

 Sell For Cash  Get Credit  Receive a Trade-In Deal

OBSOLETE NI HARDWARE IN STOCK & READY TO SHIP

We stock **New**, **New Surplus**, **Refurbished**, and **Reconditioned** NI Hardware.



Bridging the gap between the manufacturer and your legacy test system.

 1-800-915-6216

 www.apexwaves.com

 sales@apexwaves.com

All trademarks, brands, and brand names are the property of their respective owners.

Request a Quote

 **CLICK HERE**

CB-27

CB-27 CONNECTOR BLOCK INSTALLATION GUIDE

This installation guide describes how to connect the CB-27 connector block. With the CB-27 connector block, you can easily connect analog and digital signals to the following National Instruments (NI) 27-pin PCMCIA data acquisition (DAQ) devices:

- DAQCard-AO-2DC
- DAQCard-500
- DAQCard-516
- NI PCMCIA-4350



Note Other NI PCMCIA DAQ devices may be compatible with the CB-27. Refer to the device user manual for compatibility information.

The CB-27 consists of a connector block with 28 screw terminals and a 30-position right angle connector with ejector ears. Each screw terminal corresponds to a pin number on the 30-position connector. Refer to the DAQ device user manual for connector pinout information.

Conventions

The following conventions are used in this guide:

»

The » symbol leads you through nested menu items and dialog box options to a final action. The sequence **File»Page Setup»Options** directs you to pull down the **File** menu, select the **Page Setup** item, and select **Options** from the last dialog box.



This icon denotes a note, which alerts you to important information.



This icon denotes a caution, which advises you of precautions to take to avoid injury, data loss, or a system crash. When this symbol is marked on the product, refer to the *Read Me First: Safety and Radio-Frequency Interference* document, shipped with the product, for precautions to take.

DAQCard™, National Instruments™, NI™, and ni.com™ are trademarks of National Instruments Corporation. Product and company names mentioned herein are trademarks or trade names of their respective companies. For patents covering National Instruments products, refer to the appropriate location: **Help»Patents** in your software, the `patents.txt` file on your CD, or `ni.com/patents`.

October 2002
320933C-01

bold	Bold text denotes items that you must select or click in the software, such as menu items and dialog box options. Bold text also denotes parameter names.
<i>italic</i>	Italic text denotes variables, emphasis, a cross reference, or an introduction to a key concept. This font also denotes text that is a placeholder for a word or value that you must supply.
monospace	Text in this font denotes text or characters that you should enter from the keyboard, sections of code, programming examples, and syntax examples. This font is also used for the proper names of disk drives, paths, directories, programs, subprograms, subroutines, device names, functions, operations, variables, filenames and extensions, and code excerpts.

What You Need to Get Started

To set up and use the CB-27, you need the following components:

- A computer
- CB-27 connector block
- CB-27 Connector Block Installation Guide*
- PR27-30F I/O cable or PSH 32-30F cable (for the NI PCMCIA-4350)
- CB-27 quick-reference label
- One of the following devices:
 - NI PCMCIA-4350
 - DAQCard-AO-2DC
 - DAQCard-500
 - DAQCard-516
 - Other PCMCIA DAQ device
- Read Me First: Safety and Radio-Frequency Interference*
- Number 2 Phillips screwdriver
- 1/8 in. flathead screwdriver
- Tie wraps

Installing the CB-27



Caution Refer to the *Read Me First: Safety and Radio-Frequency Interference* document before removing equipment covers or connecting/disconnecting any signal wires.

To connect the CB-27 to the DAQ device, complete the following steps:

1. Insert the DAQ device into the PCMCIA slot of the computer.
2. Plug the PR27-30F into the 27-pin connector on the DAQ device or the PSH32-30F cable into the 32-pin connector on the NI PCMCIA-4350.



Caution The PR27-30F and PSH32-30F cables are keyed so that you can insert them only one way. Do *not* put strain on the I/O cable when inserting it into and removing it from the DAQCard and the CB-27 connector block.

3. Connect the signals to the CB-27 connector block. Refer to the [Connecting the Signals](#) section for instructions.
4. Insert the other end of the PR27-30F or PSH32-30F cable into the CB-27 connector. The cable connector is keyed with a centered tab that you must align with the slot on the CB-27 mating header. Firmly push in the cable connector until the ejector ears on the CB-27 connector snap into position.



Note Make sure that the PR27-30F ribbon cable or the PSH32-30F cable is not twisted between the DAQ device and the CB-27.

Figure 1 shows a typical configuration with the CB-27 connected to a DAQ device and portable computer.

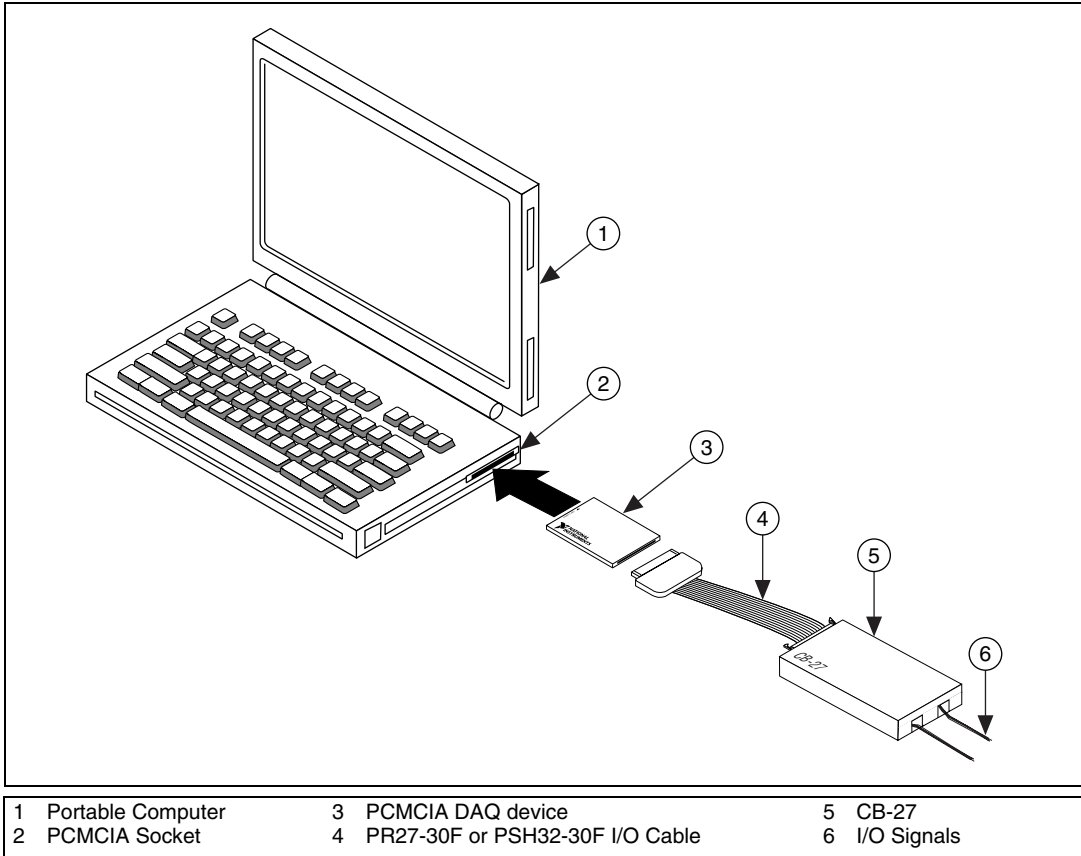


Figure 1. A Typical Configuration

Connecting the Signals



Note A blank quick-reference label, which shows the screw terminals for PCMCIA DAQ devices, is shipped with the CB-27. You can fill in the blanks with the signal information from the DAQ device user manual and put the label on the inside of the CB-27 cover for easy reference. The DAQ device kit also contains a completed quick-reference label.

The NI PCMCIA-4350 kit includes a label for you to apply to the CB-27 accessory. This label provides the pin correlation between these two devices. Table 1 shows the correlation between the screw terminals on the CB-27 and signal names on the NI PCMCIA-4350.

Table 1. Using the PCMCIA DAQ or NI PCMCIA-4350 Device
with the CB-27

PCMCIA DAQ Device Signal Name	CB-27 Screw Terminal
AGND	1
CH0+	2
CH0-	3
CH1+	4
CH1-	5
CH2+	6
CH2-	7
CH3+	8
CH3-	9
CH4+	10
CH4-	11
CH5+	12
CH5-	13
CH6+	14
CH6-	15
CH7+	16
CH7-	17
IEX+	18
IEX-	19
RSVD1	20
RSVD2	21
GND	22

Table 1. Using the PCMCIA DAQ or NI PCMCIA-4350 Device with the CB-27 (Continued)

PCMCIA DAQ Device Signal Name	CB-27 Screw Terminal
DIO0	23
DIO1	24
DIO2	25
DIO3	26
DGND	27

To connect the signals to the connector block, refer to Figure 2 as you complete the following steps:

1. Make sure that the PR27-30F or PSH32-30F cable is disconnected from the CB-27. Refer to the [Removing the Cable](#) section for instructions.
2. Remove the screws from the bottom of the CB-27, as shown in Figure 2, to remove the top cover and the front panel.
3. Connect the wires to the screw terminals by stripping off 6 mm (0.25 in.) of the wire insulation and inserting the wires (26–18 AWG) into the screw terminals. Tighten the terminal screws.
4. After you connect the wires to the screw terminals, attach the wires to the CB-27. Bunch the wires from one side of the connector block and tie them to a strain-relief tab using a tie wrap. Repeat for the other side of the connector block.
5. Replace the front panel and the top cover and reinsert the screws. Make sure all the wires come out of the front panel openings.

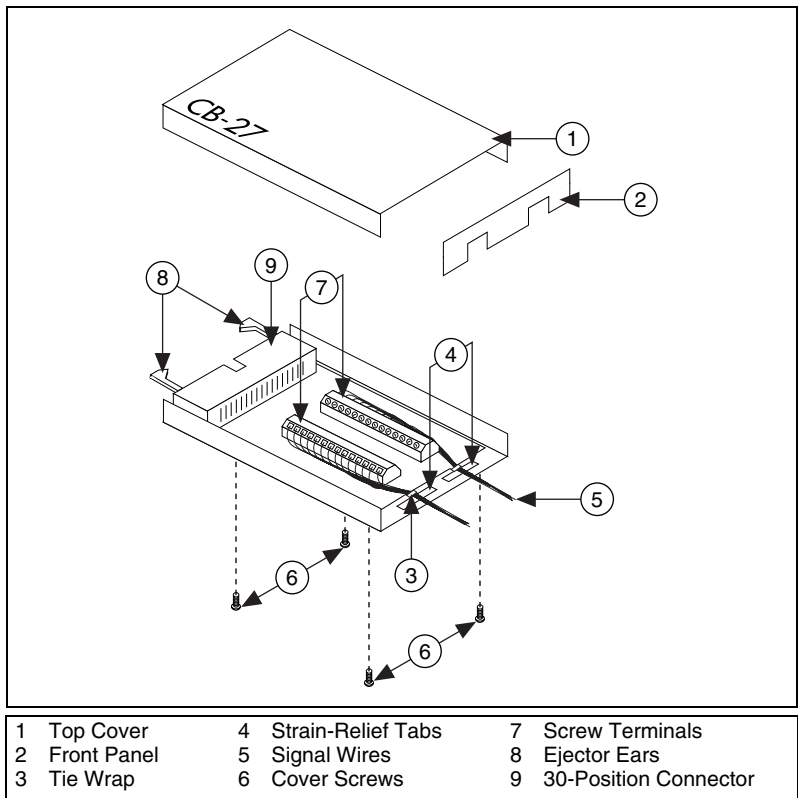


Figure 2. Connecting Signals to the CB-27

You now can connect the connector block to the PR27-30F or PSH32-30F cable.

Removing the Cable

To remove the PR27-30F or PSH32-30F I/O cable, complete the following steps:

1. Grasp the cable connector near the DAQ device and pull it straight out. If you pull the cable out using a rocking motion or pull directly on the cable, you can damage the pins on the cable or on the DAQ device. Remember to push on the latching ears of the PSH32-30F cable before disconnecting it from the NI PCMCIA-4350.
2. Press outward on the ejector ears of the CB-27 connector to pop the cable connector out.

Specifications

These ratings are typical at 25 °C unless otherwise stated.

Maximum Working Voltage

Maximum working voltage refers to the signal voltage plus the common-mode voltage.

Each input must remain within ± 20 V of ground.

Safety

The CB-27 meets the requirements of the following standards for safety and electrical equipment for measurement, control, and laboratory use:

- EN 61010-1, IEC 61010-1
- UL 3121-1
- CAN/CSA C22.2 No. 1010.1



Note For UL and other safety certifications refer to the product label or to ni.com.

Electromagnetic Compatibility

CE, C-Tick, and FCC Part 15 (Class A) Compliant

Electromagnetic emissionsEN 55011, ISM Group I,
Class A at 10 m
FCC Part 15A above 1 GHz

Electromagnetic immunityEvaluated to EN 61326-1;
A1:1998, Table 1



Note For full EMC compliance, you must operate this device with shielded cabling. In addition, all covers and filler panels must be installed. Refer to the *Read Me First: Safety and Radio-Frequency Interference* document for FCC Regulatory statements and related information.

CE Compliance

The CB-27 meets the following amended essential requirements of applicable European Directives for CE marking:

- Low-Voltage Directive (safety): 73/23/EEC
- Electromagnetic Compatibility Directive (EMC): 89/336/EEC



Note Refer to the Declaration of Conformity (DoC) for this product for any additional regulatory compliance information. To obtain the DoC for this product, click **Declaration of Conformity** at ni.com/hardref.nsf/. This Web site lists the DoCs by product family. Select the appropriate product family, followed by the product, and a link appears to the DoC in Adobe Acrobat format. Click the Acrobat icon to download or read the DoC.

Technical Support Resources

NI Web Support

NI Web support is your first stop for help in solving installation, configuration, and application problems and questions. Online problem-solving and diagnostic resources include frequently asked questions, knowledge bases, product-specific troubleshooting wizards, manuals, drivers, software updates, and more. Web support is available through the Technical Support section of ni.com.

Worldwide Support

NI has offices located around the world to help address your support needs. You can access our branch office Web sites from the Worldwide Offices section of ni.com. Branch office Web sites provide up-to-date contact information, support phone numbers, email addresses, and current events.

If you have searched the technical support resources on our Web site and still cannot find the answers you need, contact your local office or NI corporate. For telephone support in the United States, dial 512 795 8248. For telephone support outside the United States, contact your local branch office:

Australia 03 9879 5166, Austria 0662 45 79 90 0, Belgium 02 757 00 20,
Brazil 55 11 3262 3599, Canada (Calgary) 403 274 9391,
Canada (Montreal) 514 288 5722, Canada (Ottawa) 613 233 5949,
Canada (Québec) 514 694 8521, Canada (Toronto) 905 785 0085,
China 86 21 6555 7838, Czech Republic 02 2423 5774,
Denmark 45 76 26 00, Finland 09 725 725 11, France 01 48 14 24 24,
Germany 089 741 31 30, Greece 01 42 96 427, Hong Kong 2645 3186,
India 91 80 4190000, Israel 03 6393737, Italy 02 413091,
Japan 03 5472 2970, Korea 02 3451 3400, Malaysia 603 9596711,
Mexico 001 800 010 0793, Netherlands 0348 433466,
New Zealand 09 914 0488, Norway 32 27 73 00, Poland 22 3390 150,
Portugal 210 311 210, Russia 095 238 7139, Singapore 65 6 226 5886,
Slovenia 3 425 4200, South Africa 11 805 8197, Spain 91 640 0085,
Sweden 08 587 895 00, Switzerland 056 200 51 51,
Taiwan 02 2528 7227, United Kingdom 01635 523545