

COMPREHENSIVE SERVICES

We offer competitive repair and calibration services, as well as easily accessible documentation and free downloadable resources.

SELL YOUR SURPLUS

We buy new, used, decommissioned, and surplus parts from every NI series. We work out the best solution to suit your individual needs.

 Sell For Cash  Get Credit  Receive a Trade-In Deal

OBSOLETE NI HARDWARE IN STOCK & READY TO SHIP

We stock **New, New Surplus, Refurbished, and Reconditioned** NI Hardware.



Bridging the gap between the manufacturer and your legacy test system.

 1-800-915-6216

 www.apexwaves.com

 sales@apexwaves.com

All trademarks, brands, and brand names are the property of their respective owners.

Request a Quote

 **CLICK HERE**

CSM-200mA

GETTING STARTED GUIDE

NI Digital Multimeters

This document contains English and Japanese language instructions.

このドキュメントは、英語 および日本語で記載されています。ナショナルインスツルメンツの日本語マニュアルは、ni.com/jp/manuals でご覧いただけます。

This document explains how to install, configure, test, and set up the NI PCMCIA-4050, NI PXI/PCI-4060, NI PXI/PCI/PCIe/USB-4065, NI PXI/PCI-4070, NI PXI-4071, and NI PXI-4072 National Instruments digital multimeters (DMMs) for common measurements.

For more information on these DMMs, such as features and programming information, refer to the *NI Digital Multimeters Help*, which is located at **Start»All Programs»National Instruments»NI-DMM»Documentation»NI Digital Multimeters Help**. For the most current versions of specifications and other documentation, visit ni.com/manuals. For the latest version of NI-DMM driver software, visit ni.com/idnet.

Contents


Conventions	2
1. Verifying the System Requirements	3
2. Unpacking	4
3. Verifying the Kit Contents.....	4
Other Required Items	5
4. Installing the Software	5
5. Installing the Hardware.....	6
Installing a PXI DMM	6
Installing a PXI Express Compatible DMM.....	7
Uninstalling a PXI DMM	7
Installing a PCI DMM	8
Installing a PCI Express DMM.....	9
Installing a USB DMM.....	9
Installing a PCMCIA DMM	13
6. Windows Device Recognition	13
7. Configuring and Testing in MAX.....	14
8. Connecting Signals	16
DC and AC Voltage	16
DC and AC Current	17
2-Wire Resistance	18
4-Wire Resistance (NI 4060, NI 4065 and NI 407x only).....	19
Capacitance and Inductance (NI 4072 only).....	19
Voltage Drop Across a Diode	20
Using Cables and Probes	21
9. Programming the DMM.....	21
DMM Soft Front Panel	21
NI-DMM/Switch Express VI.....	21
NI LabVIEW SignalExpress Limited Edition	22


NI-DMM Instrument Driver	22
NI-DMM Examples	22
Appendix A: Front Panels.....	23
PXI/PCI/PCI Express/USB	23
PCMCIA	24
Appendix B: Chassis Recommendations and System Considerations	25
PXI Chassis Recommendations	25
PCI Chassis Recommendations	25
USB System Considerations.....	26
Appendix C: Fuse Replacement	26
NI 4060	27
NI 4065	30
NI 407x	32
NI CSM-10A/200mA	34
Appendix D: Where to Go for Support.....	35


Conventions


The following conventions are used in this manual:

- » The » symbol leads you through nested menu items and dialog box options to a final action. The sequence **File»Page Setup»Options** directs you to pull down the **File** menu, select the **Page Setup** item, and select **Options** from the last dialog box.

-  This icon denotes a tip, which alerts you to advisory information.

-  This icon denotes a note, which alerts you to important information.

-  This icon denotes a caution, which advises you of precautions to take to avoid injury, data loss, or a system crash. When this symbol is marked on a product, refer to the *Read Me First: Safety and Radio-Frequency Interference* document included with the device for precautions to take.

-  This icon, and this symbol marked on a product, denotes a hot surface, which indicates a device may be hot. Touching this device may result in bodily injury.

- bold** Bold text denotes items you must select or click in the software, such as menu items and dialog box options. Bold text also denotes parameter names.

- italic* Italic text denotes variables, emphasis, a cross-reference, hardware labels, or an introduction to a key concept. Italic text also denotes text that is a placeholder for a word or value you must supply.

- `monospace` Text in this font denotes text or characters you should enter from the keyboard and programming examples. This font also is used for proper names of disk drives, paths, directories, programs, and filenames.

- monospace italic* Italic text in this font denotes placeholder text for a word or value you must supply.

- NI 4050 Refers to the NI PCMCIA-4050.

- NI 4060 Refers to the NI PXI/PCI-4060.

NI 4065	Refers to the NI PXI/PCI/PCIe/USB-4065.
NI 4070	Refers to the NI PXI/PCI-4070.
NI 4071	Refers to the NI PXI-4071.
NI 4072	Refers to the NI PXI-4072.
NI 407x	Refers to the NI 4070, NI 4071, and NI 4072.
DMM	Digital multimeter—refers to the NI PCMCIA-4050, NI PXI-4060, NI PCI-4060, NI PXI-4065, NI PCI-4065, NI PCIe-4065, NI USB-4065, NI PXI-4070, NI PCI-4070, NI PXI-4071, or NI PXI-4072.
PCI Express	A version of PCI that maintains the PCI software usage model and replaces the physical bus with a high-speed (2.5 Gb/s) serial bus serving multiple lanes.
Platform	Text in this font denotes a specific platform and indicates the text following it applies only to that platform.
PXI Express compatible module	A PXI module compatible with existing PXI slots and PXI hybrid slots. PXI Express compatible modules maintain hardware and software compatibility, with the exception of local bus.

1. Verifying the System Requirements

To use NI-DMM, your system must meet certain requirements. For more information on minimum system, recommended system, and supported application development environments (ADEs), refer to the *NI-DMM Readme* file. Before installing NI-DMM, access this file on your NI-DMM driver software CDs. After you install NI-DMM, you can access this file at **Start»All Programs»National Instruments»NI-DMM»Documentation**.



Note Waveform acquisition performance at full rate (1.8 MS/s) on the NI 407x depends highly on system-specific factors such as CPU speed, memory architecture, and system chipset characteristics. Simultaneous acquisitions on multiple NI 407x devices or acquisitions of longer durations require a faster processor or more memory. Other applications running at the same time also can affect performance.

2. Unpacking

(PCI, PCI Express, and PXI devices) The DMM ships in an antistatic package to prevent electrostatic discharge (ESD). ESD can damage several components on the DMM.



Caution *Never* touch the exposed pins of connectors.

To avoid damage while handling the DMM, take the following precautions:

- Ground yourself using a grounding strap or by touching a grounded object.
- Touch the antistatic package to a metal part of the computer chassis before removing the DMM from the package.

Remove the DMM from the package and inspect it for loose components or any sign of damage. Notify NI if the DMM appears damaged in any way. Do *not* install a damaged DMM into the computer or chassis.

Store the DMM in the antistatic envelope when not in use.

(USB devices) Remove the USB DMM from the package and inspect it for loose components or any sign of damage. Notify NI if the DMM appears damaged in any way. Do not install a damaged DMM.



Caution Treat the USB DMM device as you would any static sensitive device. Always properly ground yourself and the equipment when handling the USB DMM device or connecting to it.

3. Verifying the Kit Contents

To set up and use the DMM, you need the following items from the shipping kit:

- NI 4050, NI 4060, NI 4065, or NI 407x
- Test probes
- USB cable (USB devices only)
- NI-DMM instrument driver DVD-sized case, containing the NI-DMM driver software CDs, which include the *NI Digital Multimeters Help* and the *NI-DMM Readme File*
- Other included documents:
 - *NI Digital Multimeters Getting Started Guide*
 - Specifications document included with the DMM
 - *Read Me First: Safety and Radio-Frequency Interference*

Other Required Items

In addition to the kit contents, you also need the following:

- 1/8 in. flathead screwdriver
- One of the following configurations:
 - **(PCI devices)**—A desktop computer with its documentation and one available PCI slot.
 - **(PCI Express devices)**—A desktop computer with its documentation and one available x1, x4, x8, or x16 PCI Express slot.
 - **(USB devices)**—A desktop or laptop computer with its documentation and one available USB 2.0 or 1.1 compliant slot.
 - **(PXI devices)**—A PXI, PXI/CompactPCI, or PXI/SCXI combination chassis, chassis documentation, and a controller.



Note If you are using a MXI interface to control a PXI chassis and encounter performance or initialization issues, refer to your MXI documentation to ensure that the MXI interface is properly set up. Software optimization might be necessary. For MXI-3 optimization, select **Start» All Programs»National Instruments MXI-3»MXI-3 Optimization**. The MXI-4 hardware automatically performs MXI-4 optimization.

4. Installing the Software

Before installing the DMM, complete the following steps to install the software:

1. (Optional) Install an application development environment (ADE), such as LabVIEW or LabWindows™/CVI™, if you are developing an application for the DMM.
2. Install the latest service packs for your operating system.
3. Insert Disk 1 of 2 of the NI-DMM CD set into the CD drive. The NI-DMM installer should open automatically. If the installation window does *not* appear, navigate to the CD drive, double-click the drive, and double-click `setup.exe`.
4. Follow the instructions in the installation prompts.
(Windows Vista) Users may see access and security messages during installation. Accept the prompts to complete the installation.
5. When the installer completes, a dialog box appears and asks if you want to restart, shut down, or restart later. Select **Restart**.
6. If you are using a system running the LabVIEW Real-Time Module, download NI-DMM to the target using Measurement & Automation Explorer (MAX). For information about which DMMs the LabVIEW Real-Time Module supports, refer to the *NI-DMM Readme* file at **Start» All Programs»National Instruments»NI-DMM»Documentation**. Refer to the *Measurement & Automation Explorer Remote Systems Help* by selecting **Help»Help Topics»Remote Systems** in MAX.

5. Installing the Hardware



Cautions Unless you are using a USB device, you *must* power off the PC or PXI chassis before installing the DMM hardware.

To prevent damage due to ESD or contamination for all PXI, PCI, and PCI Express devices, handle the DMM by the metal bracket or edges. Refer to the *Read Me First: Safety and Radio-Frequency Interference* document for more information.



Notes Install the NI-DMM software before installing the hardware.

Refer to the [Appendix B: Chassis Recommendations and System Considerations](#) section for more information about installing the DMM in a PC or PXI chassis.

Installing a PXI DMM

To determine if your DMM is a PXI or PXI Express compatible DMM, refer to Figure 2. To install a PXI DMM, refer to Figure 1 and complete the following steps.

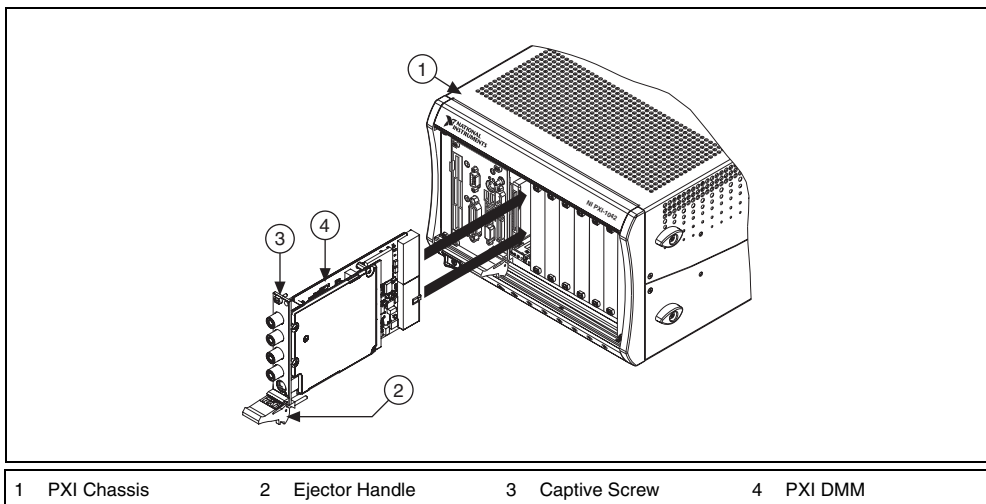


Figure 1. PXI Installation

1. Power off and unplug the PXI chassis.
2. Slide the PXI DMM into an available slot until the ejector handle locks in the up position, and tighten the captive screw(s).
3. Plug in and power on the PXI chassis.

Installing a PXI Express Compatible DMM

To determine if your DMM is a PXI or PXI Express compatible DMM, refer to Figure 2. To install a PXI Express compatible DMM, refer to the [Installing a PXI DMM](#) section using a PXI Express compatible slot.



Note Refer to your PXI chassis documentation to determine which slots are PXI Express compatible.

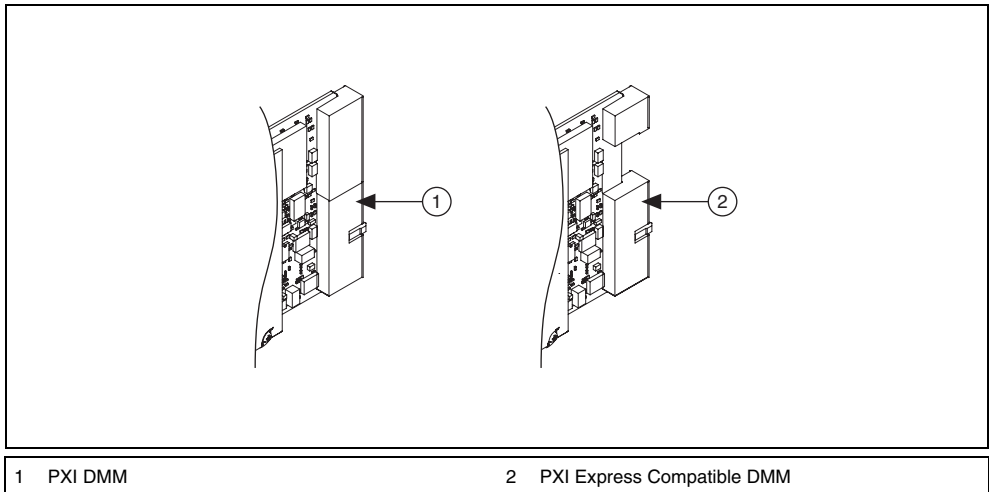


Figure 2. PXI DMM and PXI Express Compatible DMM

Uninstalling a PXI DMM



Hot Surface During operation, the metal surfaces of PXI DMMs may exceed safe handling temperatures and cause burns. Allow the DMM to cool before removing it from the chassis or when moving it to a different peripheral slot. When removing the DMM, hold it by the ejector handle and front panel *only*.

When removing a PXI DMM from the chassis, ensure you are grounded with a grounding strap or are touching a grounded metal surface. To avoid ESD, do *not* touch the exposed connector pins or any exposed circuitry on the device. When not in use, store the PXI DMM in the original antistatic envelope to avoid damage.

Installing a PCI DMM

To install a PCI DMM, refer to Figure 3 and complete the following steps.

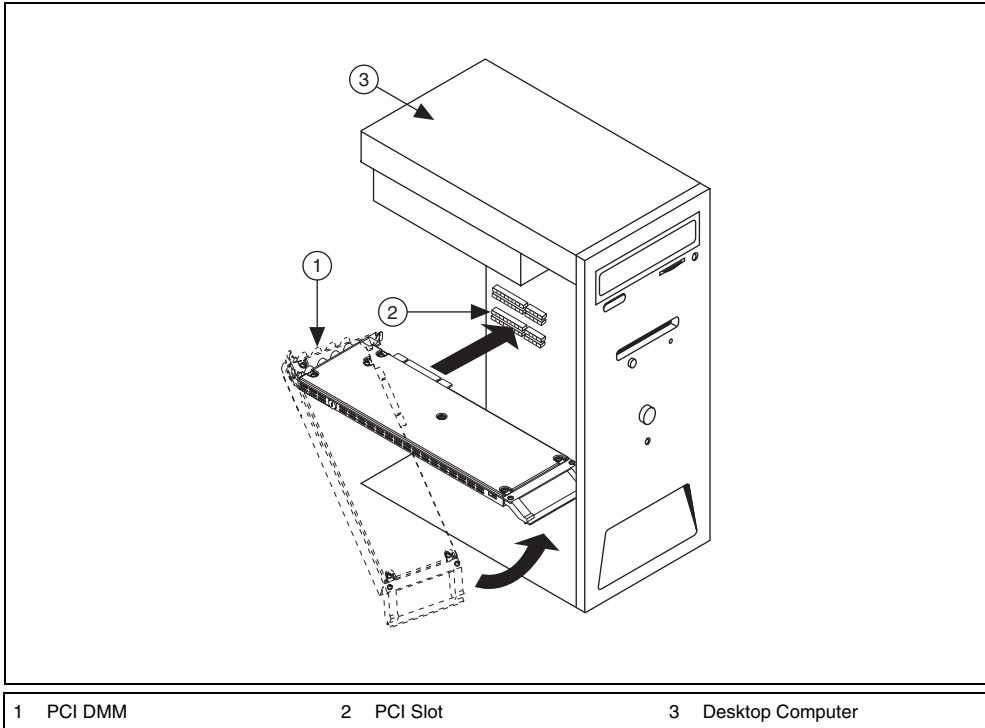


Figure 3. PCI Installation

1. Power off and unplug the PC.
2. Remove the PC cover.
3. Insert the PCI DMM into an open PCI slot.
4. Secure the PCI DMM with the screw provided.



Caution It is important to completely screw the DMM into the PCI slot for both mechanical stability and to create a solid ground connection, which will reduce electrical noise. Improperly secured DMMs may affect the accuracy of the specifications.

5. Replace the PC cover.
6. Plug in and power on the computer.

Installing a PCI Express DMM

To determine PCI Express slots, refer to Figure 4. To install a PCI Express DMM, refer to the [Installing a PCI DMM](#) section using any PCI Express slot.

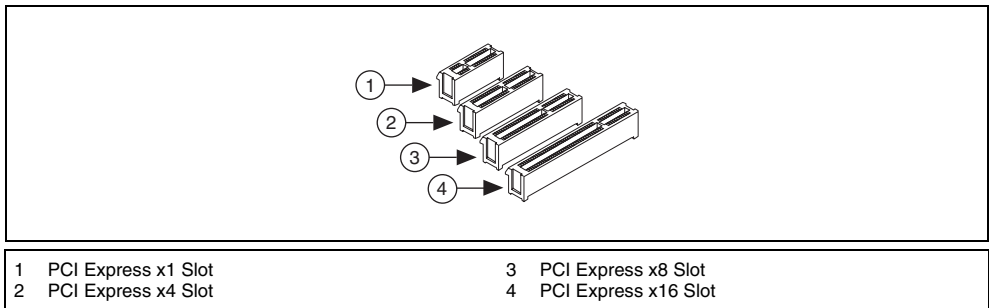


Figure 4. PCI Express Slots

Installing a USB DMM

To install a USB DMM, refer to Figure 5, and connect the USB cable to the PC and DMM.



Note The LED next to the USB connector of the device will be lit with a solid green light once the PC loads the driver for the device.

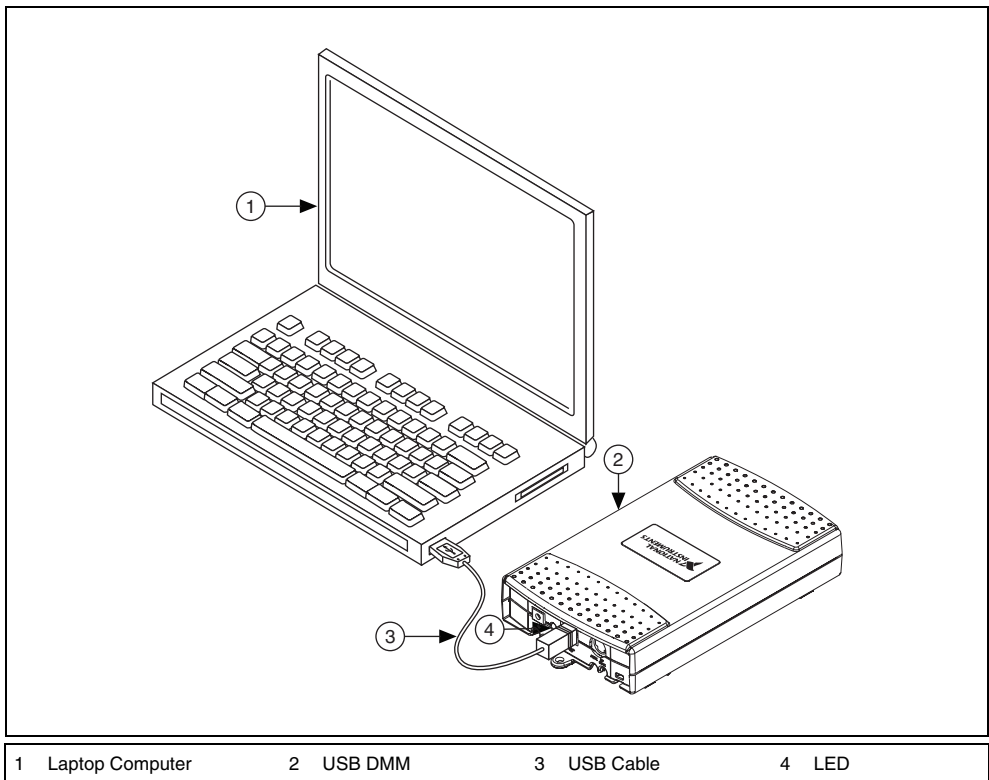


Figure 5. USB Installation

USB Cable Strain Relief

You can choose between two strain relief options for your USB DMM:

- **Cable Strain Relief Groove Method**—Press the USB cable into one of the two grooves on the underside of the USB device. Choose the USB cable groove that matches your USB cable size, as shown in Figure 6.
- **Zip Tie Method**—Thread a zip tie through the zip tie bar on the underside of the USB device and tighten around the USB cable, as shown in Figure 6.

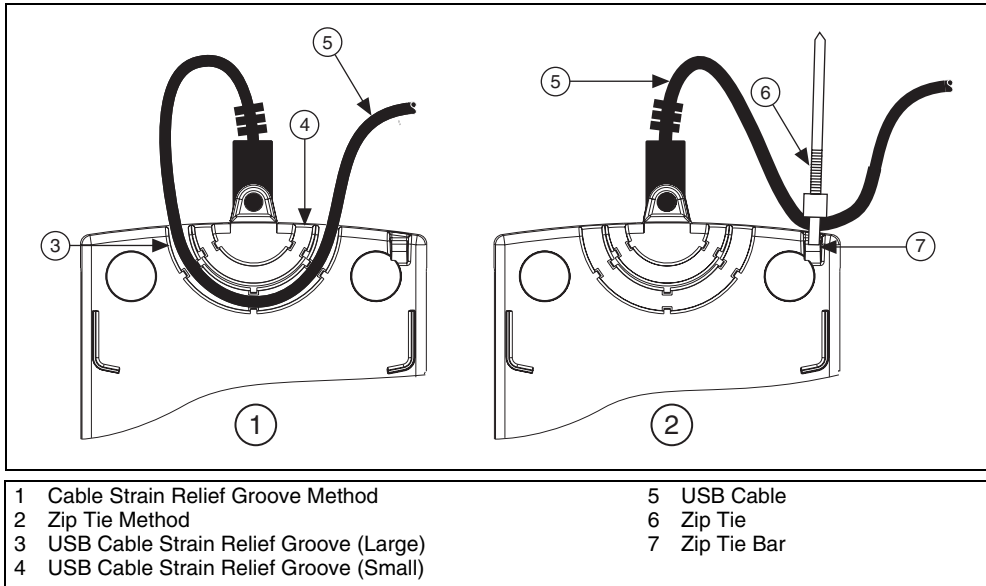


Figure 6. USB Cable Strain Relief Options

USB Ground Lug

(Optional) Connect the chassis ground to the ground lug. The ground lug protects your laptop or desktop from transient potential, which could affect the measurement inputs of the USB device. Refer to Figure 20 for the location of the USB ground lug.

Using the USB DMM on a Desktop



Note The plastic guides on the underside of the USB DMM allow stacking on top of other National Instruments USB devices, such as the NI USB-5133 high-speed digitizer. Do *not* apply the rubber feet if you are stacking the USB DMM on top of another National Instruments USB device.

For secure desktop use, adhere the supplied rubber, non-skid feet to the underside of the device, as shown in Figure 7.

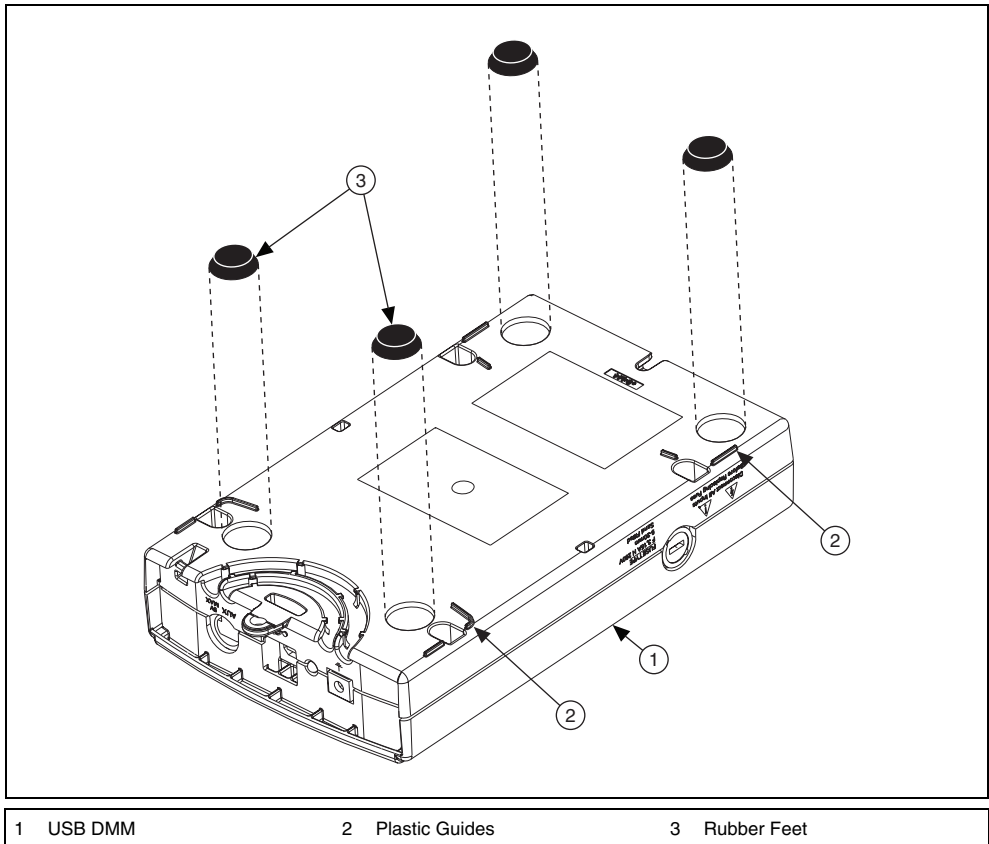


Figure 7. Applying Rubber Feet to the USB DMM

Panel Mounting the USB DMM

To mount the USB DMM on a board or panel, complete the following steps while referring to Figure 8.

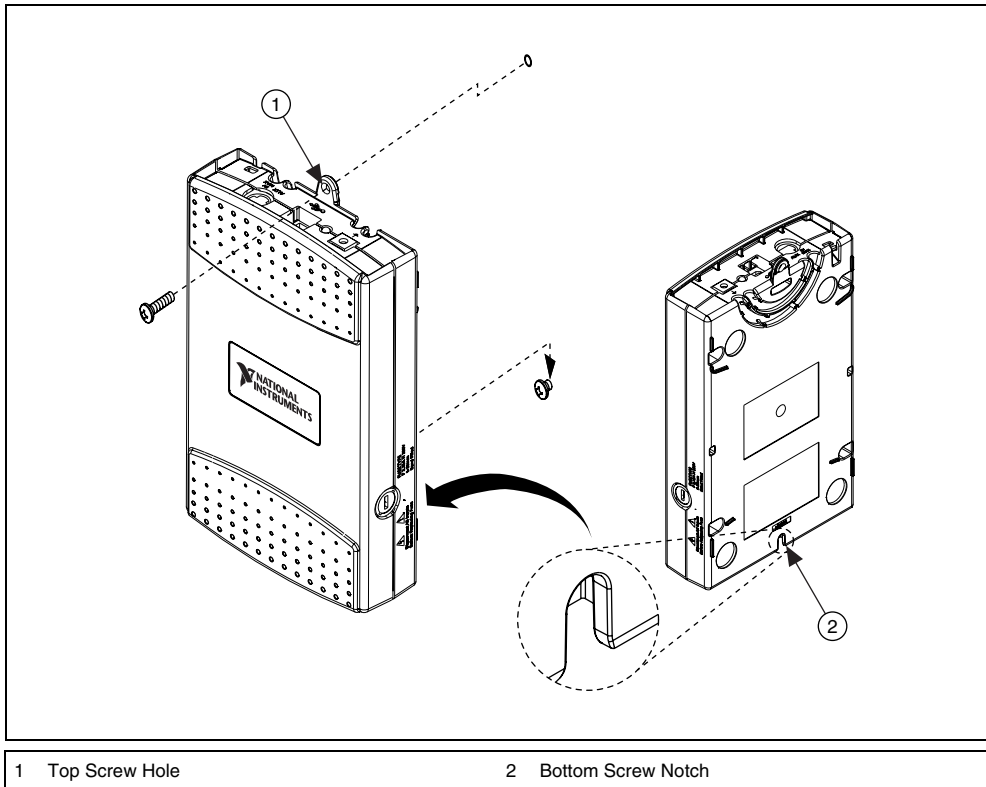


Figure 8. Mounting the USB DMM on a Panel



Notes Do *not* apply the rubber feet to the USB DMM when panel mounting.

Apply strain relief, as described in the [USB Cable Strain Relief](#) section, before panel mounting.

1. Download and print the panel mounting template PDF attached in the KnowledgeBase document. Go to ni.com/info and enter the info code rd3233 to locate the KnowledgeBase.
2. Using the template, mark the bottom point and top point on the panel. The points will be 162 mm (6.375 in.) apart.
3. Remove the USB cable from the connector on the USB DMM.
4. Screw a #8 or M4 screw into the bottom point on the panel.
5. Set the USB DMM on the screw by fitting it into the bottom screw notch on the underside of the device.
6. Screw a #8 or M4 screw through the USB DMM top screw hole into the panel.

Installing a PCMCIA DMM

To install the PCMCIA DMM, insert the PCMCIA DMM into an available PCMCIA slot as shown in Figure 9.

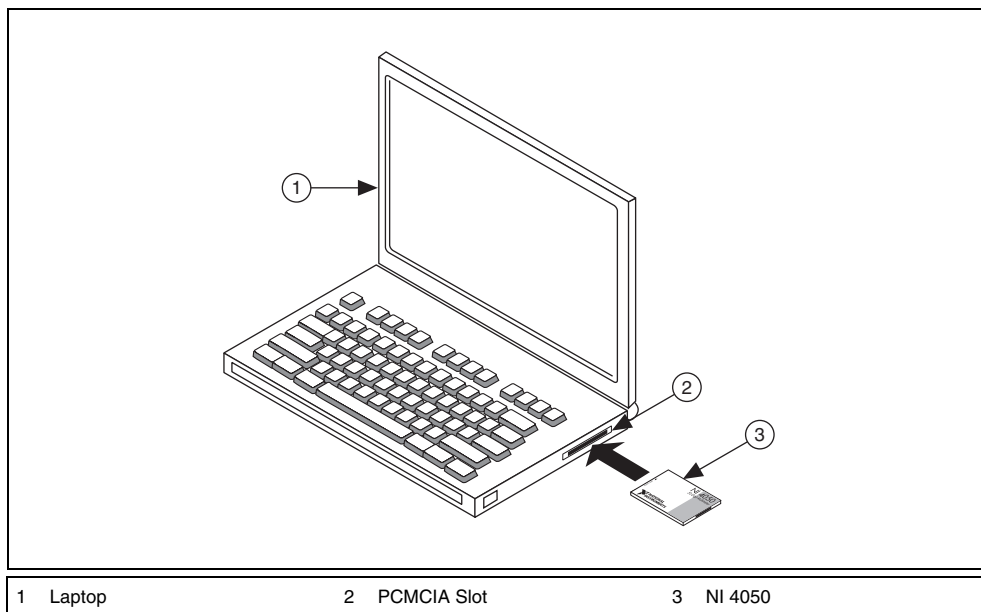


Figure 9. PCMCIA Installation

6. Windows Device Recognition

Windows recognizes any newly installed device the first time the computer reboots after hardware is installed. On some Windows systems, the Found New Hardware wizard opens with a dialog box for every NI device installed. **Install the software automatically (Recommended)** is selected by default. Click **Next** or **Yes** to install the software for each device.



Note (USB devices) When you first install your USB DMM, Windows will recognize a new device. Click **Next** on any dialog boxes that appear to complete the installation.

After Windows recognizes newly installed NI USB devices, a dialog box prompts you to select from the following options, which may vary depending on the devices and software installed on your system:

- **Begin a Measurement with This Device Using NI LabVIEW SignalExpress** opens LabVIEW SignalExpress.
- **Use This Device Interactively** launches the NI-DMM Soft Front Panel (SFP).
- **Begin an Application with This Device** launches LabVIEW.
- **Configure and Test This Device** opens MAX to your device so you can configure settings.
- **Take No Action** leaves your device in the system but does not launch an application.

7. Configuring and Testing in MAX

To configure and test the DMM in MAX, complete the following steps:

1. Launch MAX (**Start»All Programs»National Instruments»Measurement & Automation**). MAX automatically detects the DMM you installed.

2. Expand **Devices and Interfaces**.

If you are using a DMM with the LabVIEW Real-Time Module, expand **Remote Systems**. Find the target device IP address or name, expand it, and then expand **Devices and Interfaces**.



Note Only NI-DAQmx devices are listed under **Remote Systems»Devices and Interfaces**.

(Windows Vista) Windows Vista does not support Traditional NI-DAQ (Legacy) for DMMs. Refer to the *Supported Hardware* section of the *NI-DMM Readme* file at **Start»All Programs»National Instruments»NI-DMM»Documentation** to determine which operating system is compatible with your DMM.

3. Verify that the DMM appears under **Devices and Interfaces**.

The DMMs appear in the NI-DAQmx and Traditional NI-DAQ (Legacy) folders in **Devices and Interfaces**, as follows.

Device	Folder Name(s)
NI 4065, NI PCI-4070, NI 4071, NI 4072	NI-DAQmx
NI PXI-4070	NI-DAQmx and Traditional NI-DAQ (Legacy) *
NI 4050, NI 4060	Traditional NI-DAQ (Legacy) *
* Windows Vista does not support Traditional NI-DAQ (Legacy) for DMMs.	



Notes If the DMM is not listed, press <F5> to refresh. If the DMM is still not listed, repeat the steps in the [5. Installing the Hardware](#) section. If the DMM still does not appear, visit NI Technical Support at ni.com/support. For more information about using MAX, refer to the available help files within MAX.

The NI PXI-4070 is supported by both NI-DAQmx and Traditional NI-DAQ (Legacy). When present with both versions of NI-DAQ, the NI PXI-4070 is listed with a different name under the NI-DAQmx and Traditional NI-DAQ (Legacy) folders in **Devices and Interfaces**.

4. Record the device number or device name assigned to the DMM. You need this when programming the DMM.
 - **(NI-DAQmx devices)** The assigned device name is appended to the DMM in its configuration tree label. For example, after installing the NI PXI-4070, the device configuration tree label may appear as NI PXI-4070 : "Dev1", where *Dev1* is the device name that MAX assigned to the DMM. When developing your application, the resource name for the DMM is this device name.
 - **(Traditional NI-DAQ (Legacy) devices)** Select the DMM to see its properties in the configuration view. The device number appears in the Values column. When developing your application, the resource name for the DMM is DAQ : : *n*, where *n* is the device number MAX assigned to the DMM.



Note To avoid modifying existing applications that use a Traditional NI-DAQ (Legacy) device number, change the assigned NI-DAQmx device name. To change an NI-DAQmx device name, right-click the DMM, select **Rename**, and enter the Traditional NI-DAQ (Legacy) device number used in your application. For more information about device naming conventions, refer to the *niDMM Initialize* or *niDMM_init* topic in the *NI Digital Multimeters Help* located at **Start»All Programs»National Instruments»NI-DMM»Documentation»NI Digital Multimeters Help**.

5. Perform a self-test on the DMM to verify installation.
 - **(NI-DAQmx devices)** Right-click the DMM and select **Self-Test**. If you need help during the self-test, open the *Measurement & Automation Explorer Help for NI-DAQmx* by selecting **Help»Help Topics»NI-DAQmx»MAX Help for NI-DAQmx**.
 - **(Traditional NI-DAQ (Legacy) devices)** Right-click the DMM, select **Properties**, and click **Test Resources**.

A dialog box appears and indicates whether the DMM passed the test.



Note If the DMM does not pass the test, repeat the steps in the [5. Installing the Hardware](#) section. If the DMM still does not pass the test, visit NI Technical Support at ni.com/support.

6. **(NI-DAQmx NI 407x devices only)** Perform a self-calibration on the DMM. Right-click the DMM and select **Self-Cal**. The DMM must warm up for at least 60 minutes before self-calibrating.
7. Launch the DMM Soft Front Panel to run functional tests and to use the DMM. You can launch the DMM SFP from **Start»All Programs»National Instruments»NI-DMM»NI-DMM Soft Front Panel**.



Note (NI 4050 and NI 4060 only) You can complete the following steps to run the functional test panels and to use the DMM. Right-click the NI 4050 and NI 4060 and click **Test Panels**. Refer to the [8. Connecting Signals](#) section to connect a signal to the DMM. Click **Close** to close the test panels for the NI 4050 and NI 4060.

8. Connecting Signals

The following sections explain how to connect signals to the DMM front panel connectors for common measurements.

For more information about these common measurements, refer to the *NI Digital Multimeters Help at Start»All Programs»National Instruments»NI-DMM»Documentation»NI Digital Multimeters Help*.



Caution Always refer to the specifications document included with the DMM *before* connecting signals. Failure to observe the specified maximum signal ratings can cause shock, a fire hazard, or damage to the devices connected to the DMM. NI is *not* liable for any damage or injuries resulting from incorrect signal connections.

DC and AC Voltage

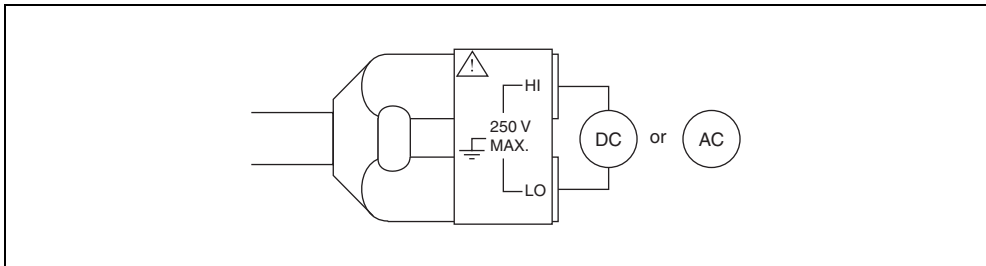


Figure 10. NI 4050 Signal Connections for Voltage Measurements

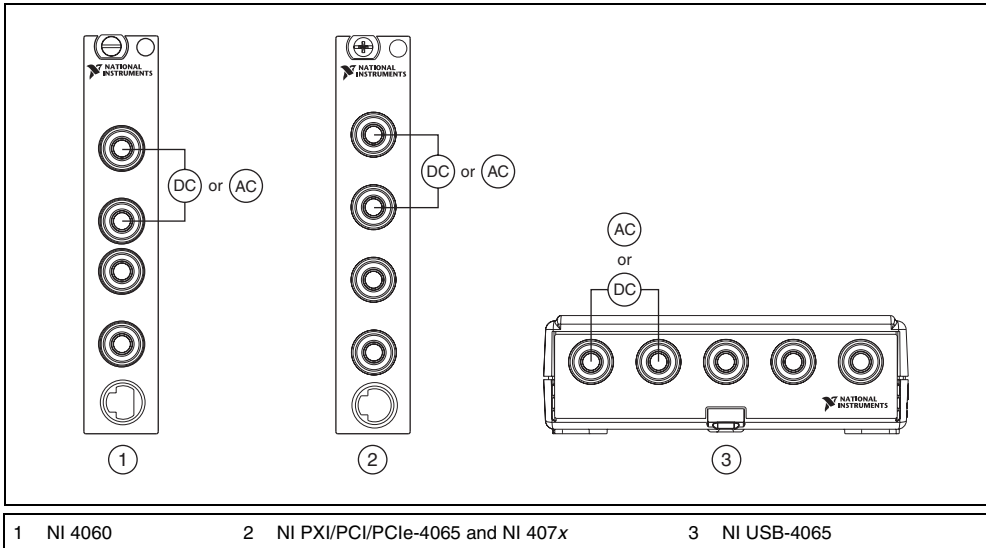


Figure 11. NI 4060, NI 4065, and NI 407x Signal Connections for Voltage Measurements

DC and AC Current

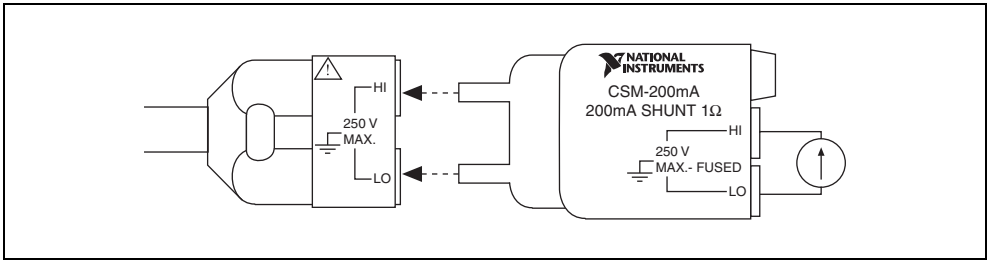


Figure 12. NI 4050 Signal Connections for Current Measurements



Note To measure current, the NI 4050 requires the NI CSM-200mA or NI CSM-10A current shunt module (shown in Figure 12), which is available from NI. Refer to the *NI CSM-10A/200mA Installation Guide* at [Start»All Programs»National Instruments»NI-DMM»Documentation](#).

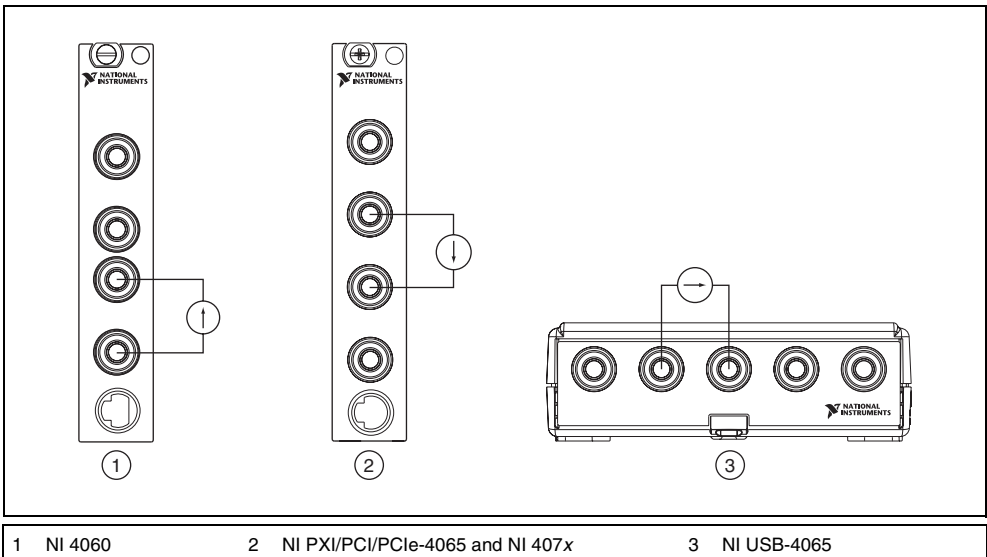


Figure 13. NI 4060, NI 4065, and NI 407x Signal Connections for Current Measurements



Tip To measure current beyond the specifications of the NI 4060, NI 4065 and NI 407x, NI offers a 10 A current shunt module, the NI CSM-10A. Refer to the *NI CSM-10A/200mA Installation Guide* at [ni.com/manuals](#) for more information. Refer to [ni.com/instruments](#) for purchasing information.

2-Wire Resistance

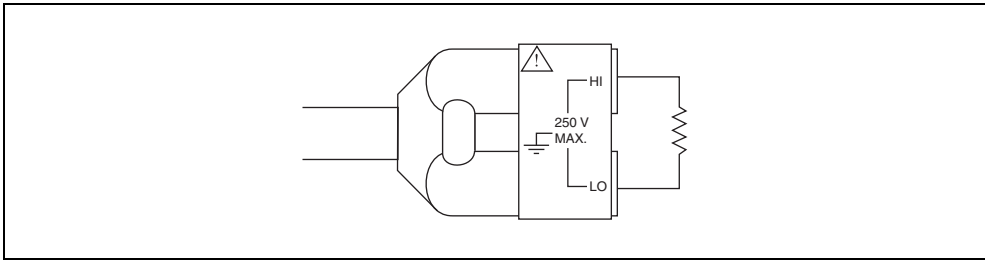
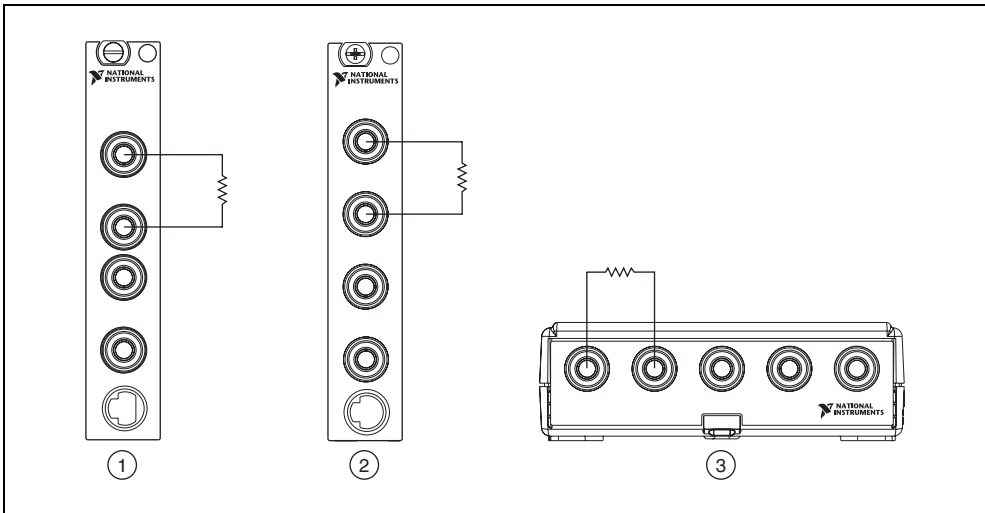


Figure 14. NI 4050 Signal Connections for 2-Wire Resistance Measurements



1 NI 4060

2 NI PXI/PCI/PCle-4065 and NI 407x

3 NI USB-4065

Figure 15. NI 4060, NI 4065, and NI 407x Signal Connections for 2-Wire Resistance Measurements

4-Wire Resistance (NI 4060, NI 4065 and NI 407x only)

4-wire resistance measurements use both pairs of terminals. Use the configuration to measure low resistances accurately by eliminating the effects of lead resistance.



Note The NI 4050 does *not* support 4-wire resistance measurements.

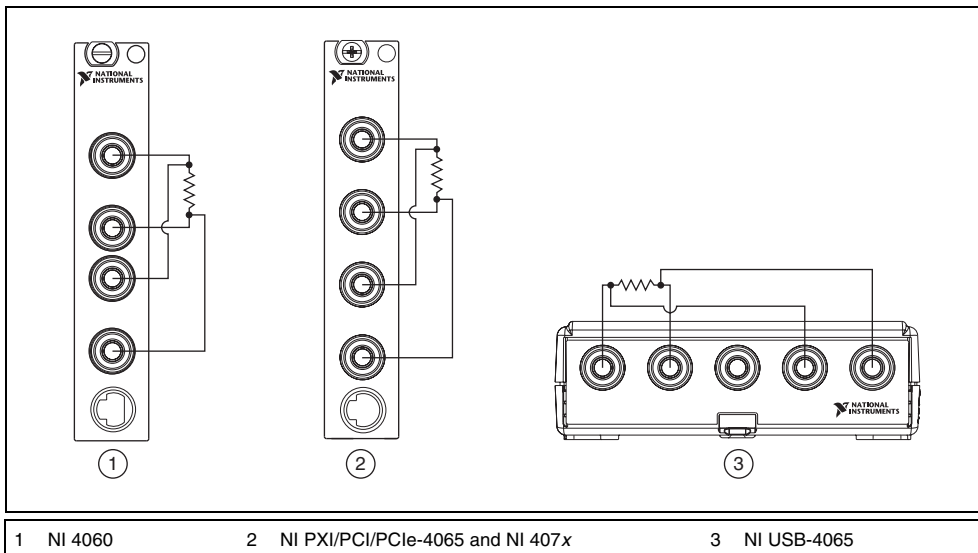


Figure 16. NI 4060, NI 4065, and NI 407x Signal Connections for 4-Wire Resistance Measurements

Capacitance and Inductance (NI 4072 only)

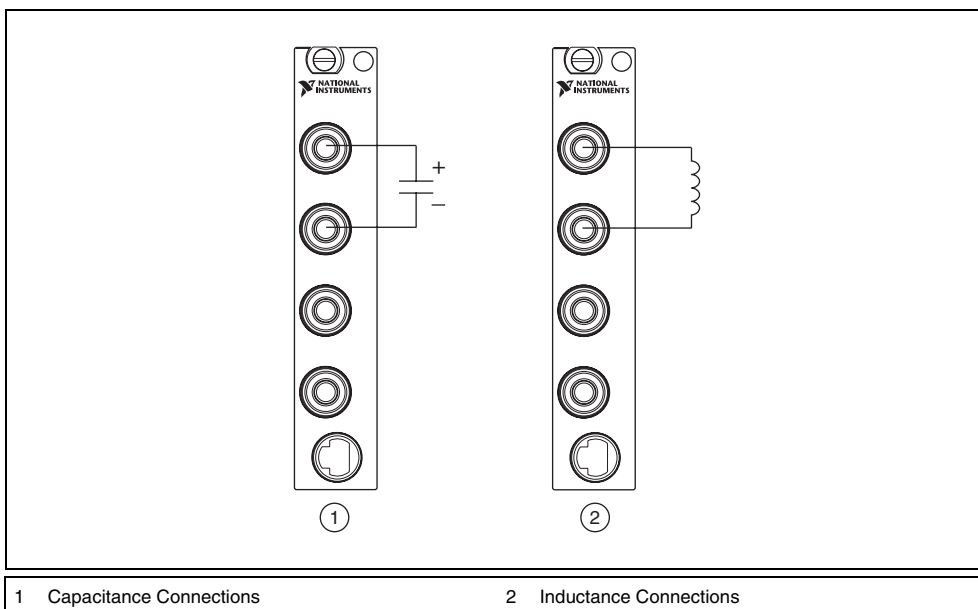


Figure 17. NI 4072 Signal Connections for Capacitance and Inductance Measurements

Voltage Drop Across a Diode

The DMM can excite a device under test and read the resulting voltage drop, which is useful for testing diodes.

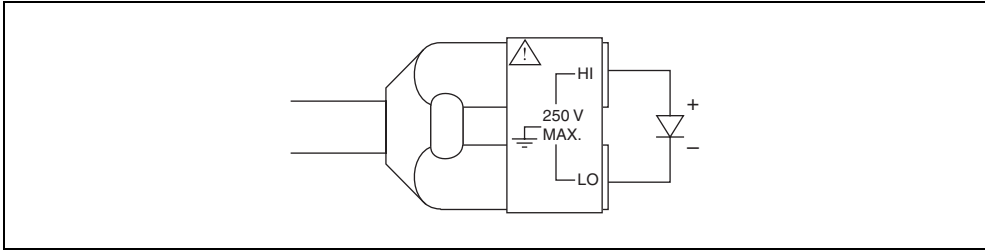
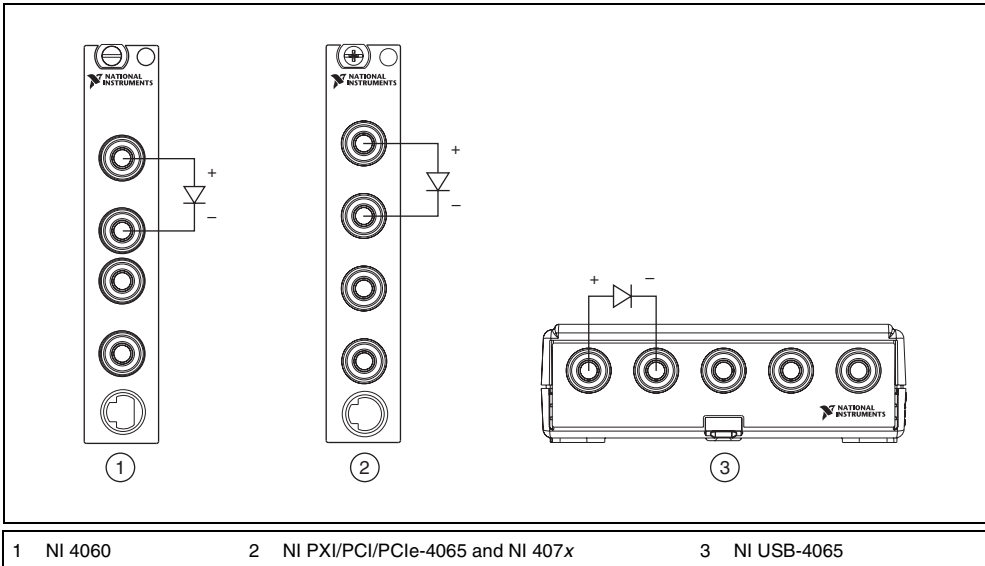


Figure 18. NI 4050 Signal Connections for Diode Measurements



1 NI 4060

2 NI PXI/PCI/PCle-4065 and NI 407x

3 NI USB-4065

Figure 19. NI 4060, NI 4065, and NI 407x Signal Connections for Diode Measurements

Using Cables and Probes

The DMM shipping kit contains a pair of test probes with safety banana plugs. These probes meet international safety requirements, including UL 3111 and IEC 1010-1, for the full range of applications supported by the DMM.



Caution Before using any probes or accessories not supplied by NI, ensure that they meet applicable safety requirements for the signal levels you may encounter.

Connect the test probes to the banana plug connectors on the DMM front panel using safety banana plugs. The shrouds around the banana plugs prevent you from contacting potentially hazardous voltages connected to the test probes. You can also connect the cable to standard, unshrouded banana plug probes or accessories. Use unshrouded probes or accessories only when the voltages are less than 30 V_{rms} and 42 V_{pk}, or 60 VDC.



Cautions (NI 4050 users) To prevent possible safety hazards, the maximum voltage between either of the inputs and the ground of the computer should never exceed ± 250 VDC or 250 V_{rms}.

(NI 4060 users) To prevent possible safety hazards, the maximum voltage between either of the inputs and the ground of the computer should never exceed ± 300 VDC or 300 V_{rms}. The maximum current the NI 4060 can measure between the current inputs is ± 200 mA DC or 200 mA_{rms}.

(NI 4065 users) To prevent possible safety hazards, the maximum voltage between either of the inputs and the ground of the computer should never exceed ± 300 VDC or 300 V_{rms}. The maximum current the NI 4065 can measure between the current inputs is ± 3 A DC or 3 A_{rms}.

(NI 4071 users) To prevent possible safety hazards, the maximum voltage between either of the inputs and the ground of the computer is 500 VDC or 500 V_{pk} (sine wave), except between the HI terminal and ground, where the maximum voltage is 1,000 VDC or 700 V_{rms} (sine wave). The maximum current the NI 4071 can measure between the current inputs is ± 3 A DC or 3 A_{rms}.

(NI 4070/4072 users) To prevent possible safety hazards, the maximum voltage between either of the inputs and the ground of the computer should never exceed ± 300 VDC or 300 V_{rms}. The maximum current the NI 4070/4072 can measure between the current inputs is ± 1 A DC or 1 A_{rms}.

9. Programming the DMM

You can acquire data with the DMM by using the DMM SFP, NI-DMM/Switch Express VI, NI LabVIEW SignalExpress, or the NI-DMM instrument driver in your application, and you can run the NI-DMM examples to demonstrate the functionality of the DMMs.

DMM Soft Front Panel

The DMM SFP is a software representation of a traditional benchtop DMM. Use the DMM SFP to test the basic functionality of the DMM and to become familiar with its operation. You can launch the DMM SFP from **Start»All Programs»National Instruments»NI-DMM»DMM Soft Front Panel**.

NI-DMM/Switch Express VI

The NI-DMM/Switch Express VI configures and acquires a signal using NI-DMM with National Instruments digital multimeters and PXI or SCXI switch modules. You can launch the NI-DMM/Switch Express VI from LabVIEW 7.x or later.

NI LabVIEW SignalExpress Limited Edition

NI-DMM 2.7 and later includes a stand-alone, evaluation version of NI LabVIEW SignalExpress that allows you to quickly configure your NI hardware to acquire, generate or perform hardware comparison using your DMM. LabVIEW SignalExpress LE gives you a 30-day trial of the Full Edition of LabVIEW SignalExpress. After that period, you must activate your version of LabVIEW SignalExpress LE, which is free, or purchase the Full Edition. If you activate your version of LabVIEW SignalExpress LE before your 30-day trial of the Full Edition is complete, the full features are still available for the remainder of your 30-day trial.

NI-DMM Instrument Driver

NI-DMM features a set of operations and attributes that exercise all the functionality of the DMM, including configuration, control, and other module-specific functions. NI-DMM controls all NI digital multimeters.

Refer to the *Programming* section of the *NI Digital Multimeters Help* at **Start»All Programs»National Instruments»NI-DMM»Documentation»NI Digital Multimeters Help** for information about using NI-DMM in your applications.

NI-DMM Examples

The NI-DMM examples are instructional tools that demonstrate some of the functionality of the DMMs you can use or integrate into your systems. NI-DMM includes examples covering single point measurements, multipoint measurements, triggering, waveform acquisitions (NI 407x only), and performance (NI 407x only).



Tip For best accuracy, NI 407x users should run the Self-Cal example after the DMM has been installed and has warmed up.

Refer to the *Examples* section of the *NI-DMM Readme* file at **Start»All Programs»National Instruments»NI-DMM»Documentation** for a complete example list. Refer to ni.com/zone for examples that use National Instruments DMMs with National Instruments switch modules.

LabVIEW and LabWindows/CVI users can use the NI Example Finder to search or browse examples. NI-DMM examples are classified by keyword, so you can search for a particular device or measurement function.

To browse the NI-DMM examples available in LabVIEW, launch LabVIEW, click **Help»Find Examples**, and navigate to **Hardware Input and Output»Modular Instruments»NI-DMM (Digital Multimeters)**.

To browse the NI-DMM examples available in LabWindows/CVI, launch LabWindows/CVI, select **Help»Find Examples**, and navigate to **Hardware Input and Output»Modular Instruments»NI-DMM (Digital Multimeters)**.

Appendix A: Front Panels

PXI/PCI/PCI Express/USB

The PXI, PCI, PCI Express front panels have four shrouded banana plug connectors and one 9-pin connector. The USB front panel has five shrouded banana plug connectors and one 9-pin connector. Refer to Figure 20 for the front panels for the NI 4060, NI 4065, and NI 407x.

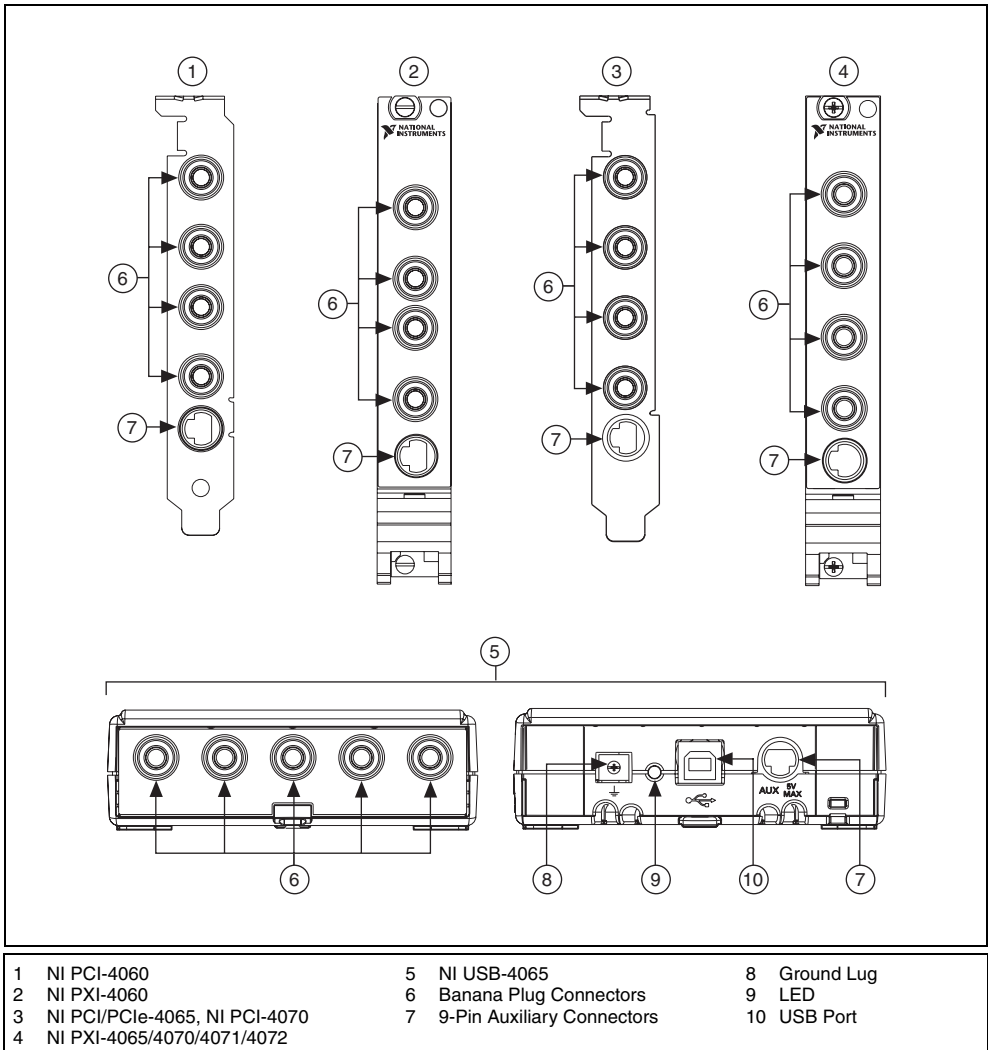


Figure 20. Front Panel Connectors on the PXI, PCI, PCI Express, and USB DMMs

The banana plug connectors are high-voltage, safety signal connectors. The 9-pin connector labeled *AUX I/O* is a digital signal connector, which carries TTL-level triggering signals for use with external scanning equipment. Refer to the *NI Digital Multimeters Help*, located at **Start»All Programs»National Instruments»NI-DMM»Documentation»NI Digital Multimeters Help**, for information about scanning.



Note The *AUX I/O* connector is not isolated. It is not referenced to your measurement circuit. The connector is referenced to the ground of your computer. The digital signals on this connector should not operate beyond -0.5 to 5.5 V of your computer ground. The trigger signals are TTL-compatible.

PCMCIA



Caution To measure current with the NI PCMCIA-4050, you *must* use a current shunt module. Refer to the [8. Connecting Signals](#) section of this document for more information.

An accessory cable connects the NI PCMCIA-4050 to a pair of test probes equipped with shrouded banana plugs. Both the accessory cable and the test probes ship with the NI PCMCIA-4050. The accessory cable connector is polarized and cannot be plugged in incorrectly.

Refer to Figure 21 to connect the accessory cable to the NI PCMCIA-4050.

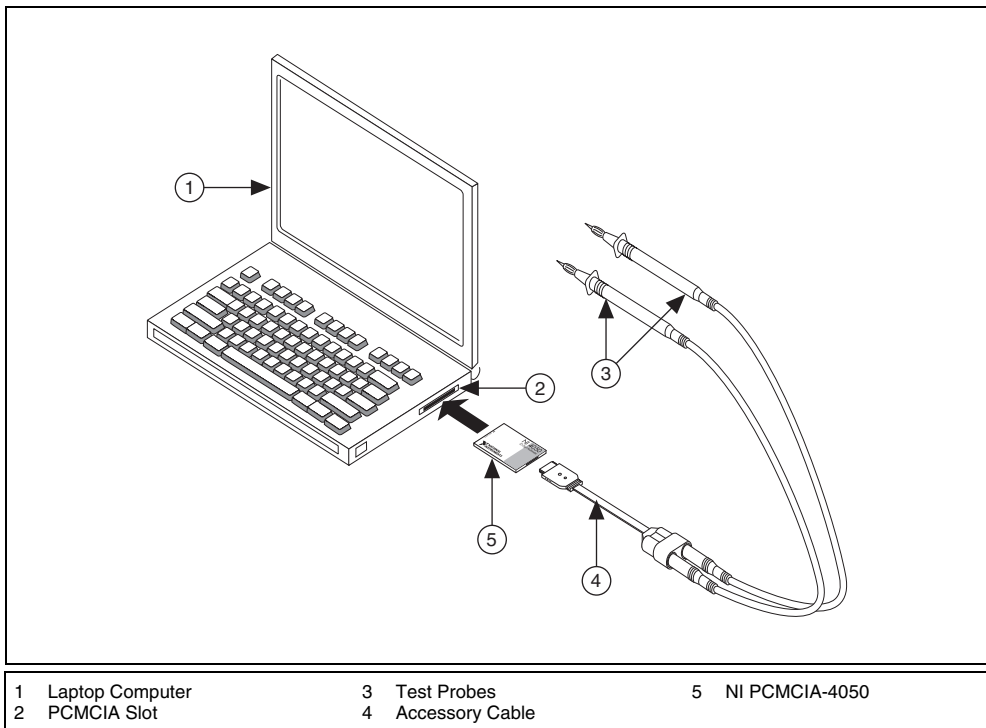


Figure 21. Connecting Cables and Probes to the NI PCMCIA-4050

Appendix B: Chassis Recommendations and System Considerations

This appendix specifies the recommended chassis components and conditions for a system that includes National Instruments DMMs.

PXI Chassis Recommendations

The NI PXI-4060/4065 and NI PXI-407x are designed to operate in any PXI-compliant chassis. Temperature on these DMMs can vary with slot position in the chassis. Complete the following recommendations to minimize this temperature variation and ensure normal operating conditions for these DMMs:

- Perform routine maintenance of the chassis cooling fan filters, including cleaning. Such maintenance ensures continuous cooling effectiveness, keeps dust off the components of the PXI DMMs, and ensures accurate high-resistance measurements. NI recommends cleaning the chassis fan filters at a maximum interval of six months and keeping the chassis environment clean to minimize dust that enters the chassis. For more information about cleaning the chassis fan filters, refer to your chassis documentation.
- Install PXI filler panels in all empty slots.
- Verify the PXI chassis fans that provide forced air remain unobstructed and can allow for proper cooling of the PXI chassis, devices, and controller.

PXI Express Chassis

Some PXI Express chassis provide hybrid slots. A hybrid slot can accept either PXI Express modules or PXI Express compatible modules, but not standard PXI modules.

To determine if your chassis contains hybrid slots, refer to your chassis documentation. For more information about hybrid slots, visit ni.com/support, and enter **PXI Express FAQ** in the Search field.

Refer to the *PXI Express Compatibility* section of the *NI Digital Multimeters Help*, located at **Start» All Programs»National Instruments»NI-DMM»Documentation»NI Digital Multimeters Help**, to determine if your DMM is PXI or PXI Express compatible and for more information about PXI Express compatibility.

PCI Chassis Recommendations

The NI PCI-4060, NI PCI-4065, and NI PCI-4070 are designed to operate in any ATX-compliant industrial or personal computer. Complete the following recommendations to ensure normal operating conditions for these DMMs:



Caution For optimal electromagnetic compatibility (EMC) performance and input protection, you *must* install the front panel screw.

- Verify the PCI front panel brackets on the NI PCI-4060, NI PCI-4065, and NI PCI-4070 have a firm, direct, metal-to-metal mounting connection for proper grounding. Some computer manufacturers use a securing lever made of plastic; such a lever is unacceptable for safety reasons, and you must remove it. Also, you must screw down the PCI devices. If the computer chassis does not allow you to meet these requirements, you must use a different computer chassis.
- Install all covers for the industrial chassis or personal computer.
- Install PCI filler panels in all unused PCI slots.

Additional Recommendations for the NI PCI-4070

The cooling capability of most industrial and personal computers is less than the cooling capability of a PXI chassis. The NI PCI-4060 and the NI PCI/PCIe-4065 dissipate low enough power that additional cooling is not needed in most computers. The NI PCI-4070 dissipates higher power, and NI strongly recommends NI PCI-4070 users implement the following precautions to maximize the cooling capability of the computer:

- Install an additional 80 mm, 32 cubic ft/min (CFM) fan that forces air towards the NI PCI-4070. Most computer chassis contain one or two mounting locations for this type of fan. These fans are inexpensive and readily available at most computer supply stores.



Note If the hard drive mounts vertically in front of the fan mounting location(s) in the computer chassis, you must move the hard drive to a horizontal 3.5 in. drive bay or to another suitable location that does not obstruct the fan mounting location(s).

- Add additional fans, such as PCI fan cards and chassis fans, to increase the air circulation inside the computer.

USB System Considerations

The NI USB-4065 conforms to USB 2.0 specifications and is 1.1 compliant. The NI USB-4065 is a high powered USB device that supports both Hi-Speed and full-speed USB protocol. For more information about power requirements, refer to the *NI 4065 Specifications*.

Appendix C: Fuse Replacement

This appendix explains how to replace the fuse in the NI 4060, NI 4065, NI 407x, and NI CSM-10A/200mA.



Caution For protection against fire, replace the fuse only with fuses of the same type and rating. Refer to Table 1 for fuse types.



Note The NI 4050 does *not* have a user-replacable fuse.

Table 1. Appropriate Fuses for the NI 4060, NI 4065, NI 407x, and Current Shunt Modules

DMM	Fuse Rating	Fuse Type	Manufacturer
NI 4060	F 500 mA 250 V	Fast-Acting	Schurter
	F 500 mA 250 V	Fast-Acting	Littelfuse
NI 4070/4072	F 1.25 A 250 V	Fast-Acting	Littelfuse
NI 4065, NI 4071	F 3.15 A 250 V	Fast-Acting	Littelfuse
NI CSM-10A	F 12.5 A 250 V	Fast-Acting	Schurter
NI CSM-200mA	F 500 mA 250 V	Fast-Acting	Schurter

NI 4060

To replace the fuse, complete the following steps.

(NI PXI-4060)

1. Remove all front panel connections from the NI PXI-4060.
2. Power down the chassis, and remove the device.
3. View the device at the angle shown in Figure 22, and locate the fuse holder.

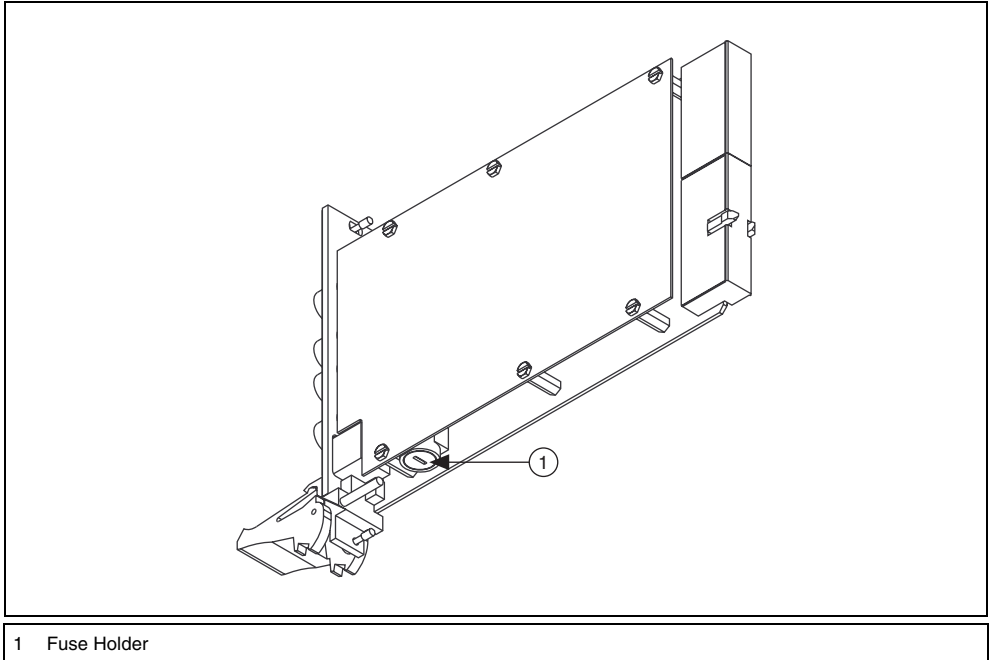


Figure 22. Locating the Fuse on the NI PXI-4060

4. Insert a screwdriver into the slot on the fuse holder.
5. Turn counterclockwise.
6. Pull out the holder, and remove the 5×20 mm glass fuse.
7. Verify the fuse is blown by measuring discontinuity across the fuse using another meter.
8. Insert a new fuse into the holder and slide the holder back into place.
9. Turn the fuse holder clockwise until it snaps shut.

(NI PCI-4060)

1. Remove all front panel connections from the NI PCI-4060.
2. Power off the computer, and remove the device.
3. Remove the four screws that secure the top and bottom insulators onto the device, as shown in Figure 23.

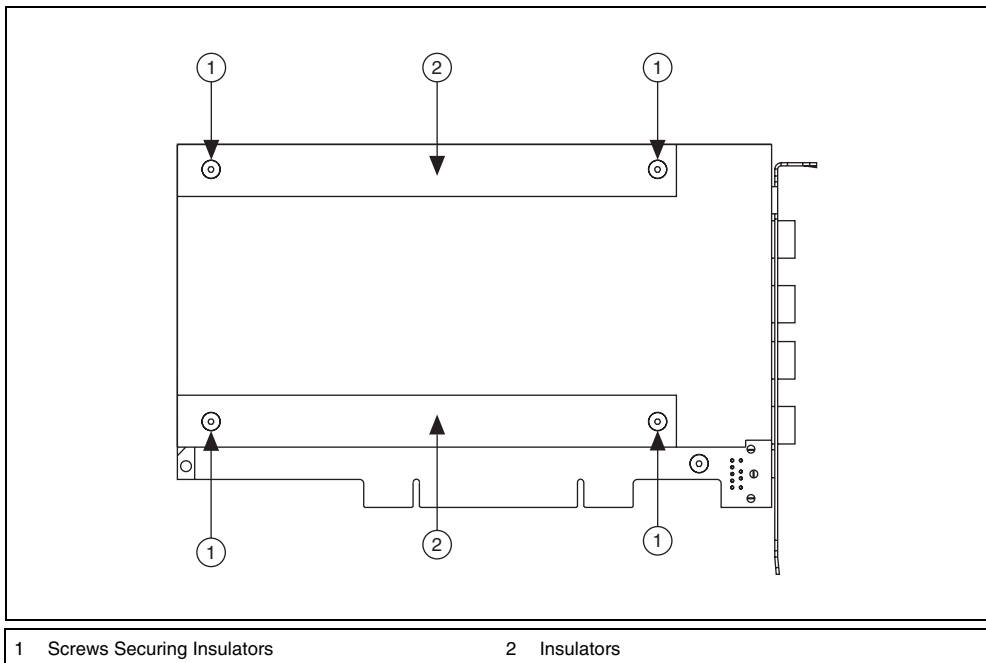


Figure 23. Removing the Insulators from the NI PCI-4060

4. Remove the top and bottom insulators.

5. Locate the 5 × 20 mm glass fuse shown in Figure 24.

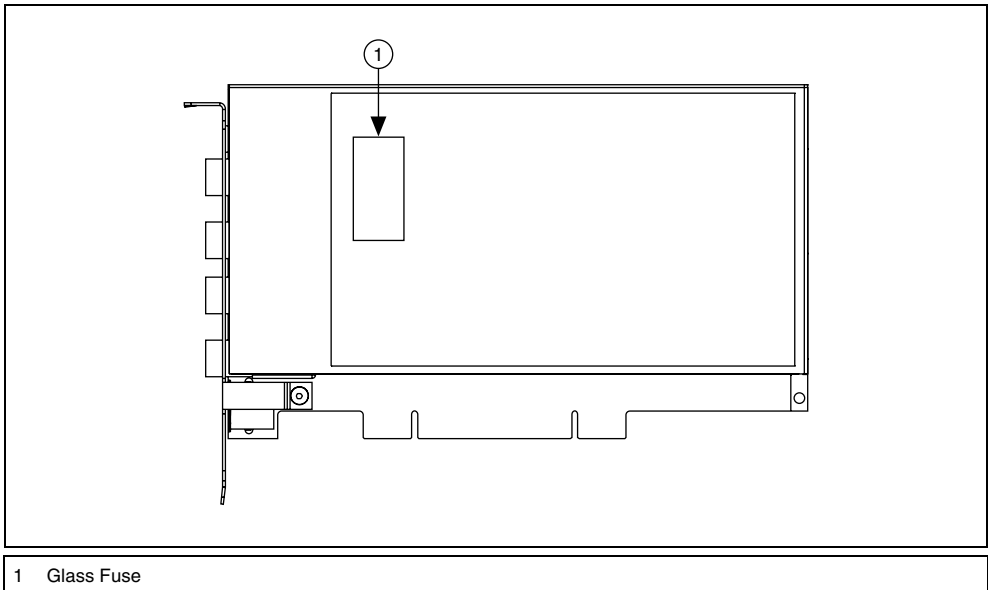


Figure 24. Removing the Fuse from the NI PCI-4060

6. Remove the fuse, and verify the fuse is blown by measuring discontinuity across the fuse using another meter.
7. Press the new fuse into the silver holding fixture until you hear a snap.



Caution Do *not* operate the NI PCI-4060 without both insulators replaced and secured.

8. Reattach the top and bottom insulators in the opposite order you removed them.

NI 4065

1. Remove all front panel connections from the NI 4065.
 - **(NI PXI/PCI/PCIe-4065)** Power down the chassis, and remove the device.
 - **(NI USB-4065)** Disconnect the USB cable from the NI USB-4065.
2. Locate the fuse holder on the NI 4065.
 - **(NI PXI-4065)** View the device at the angle shown in Figure 25.
 - **(NI PCI/PCIe-4065)** View the device at the angle shown in Figure 26.
 - **(NI USB-4065)** View the device at the angle shown in Figure 27.

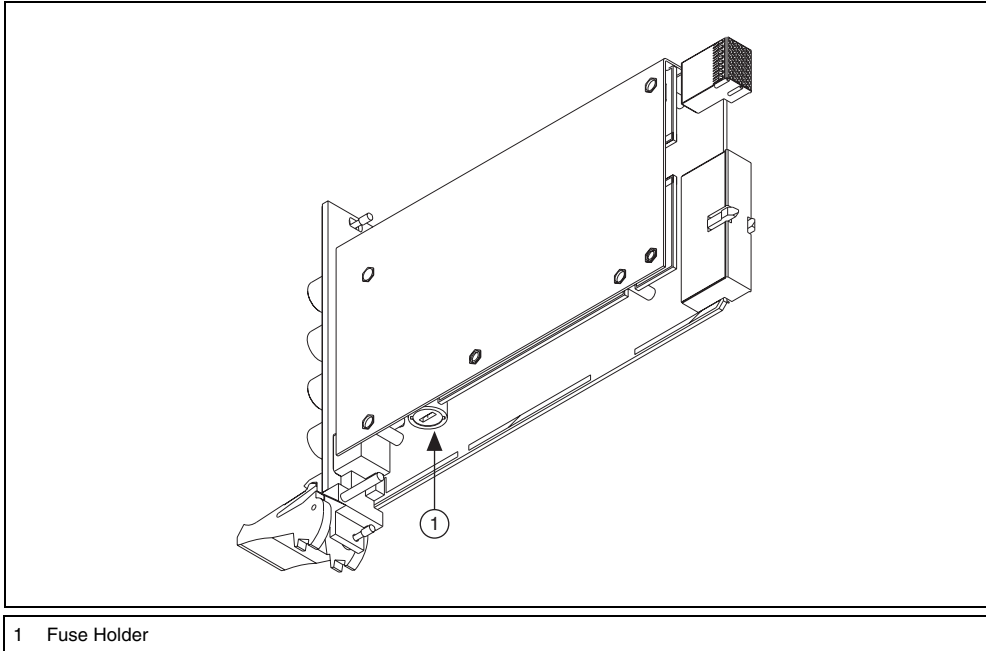
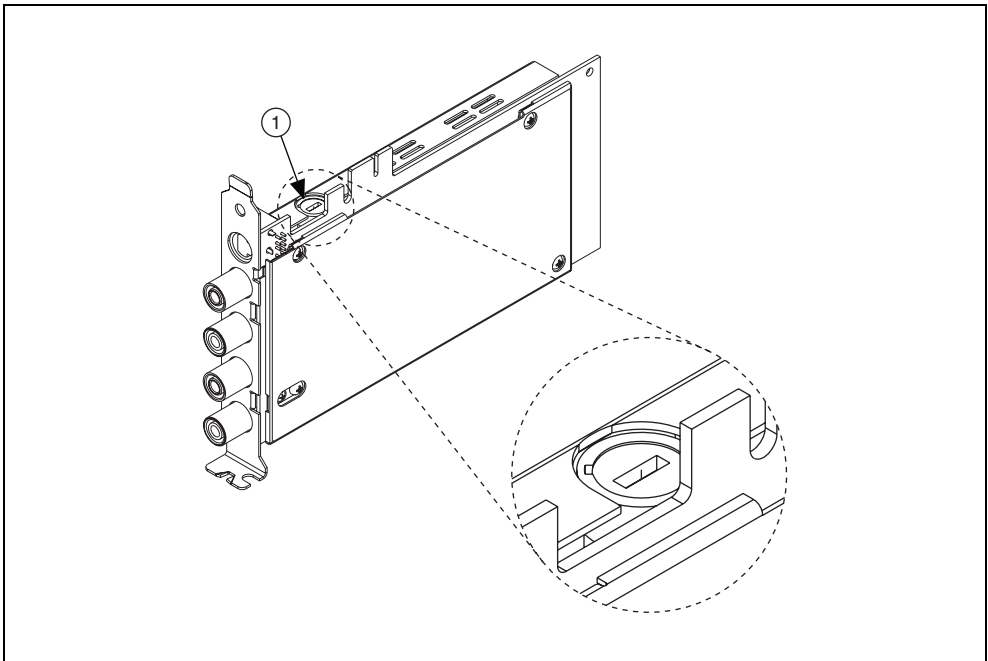
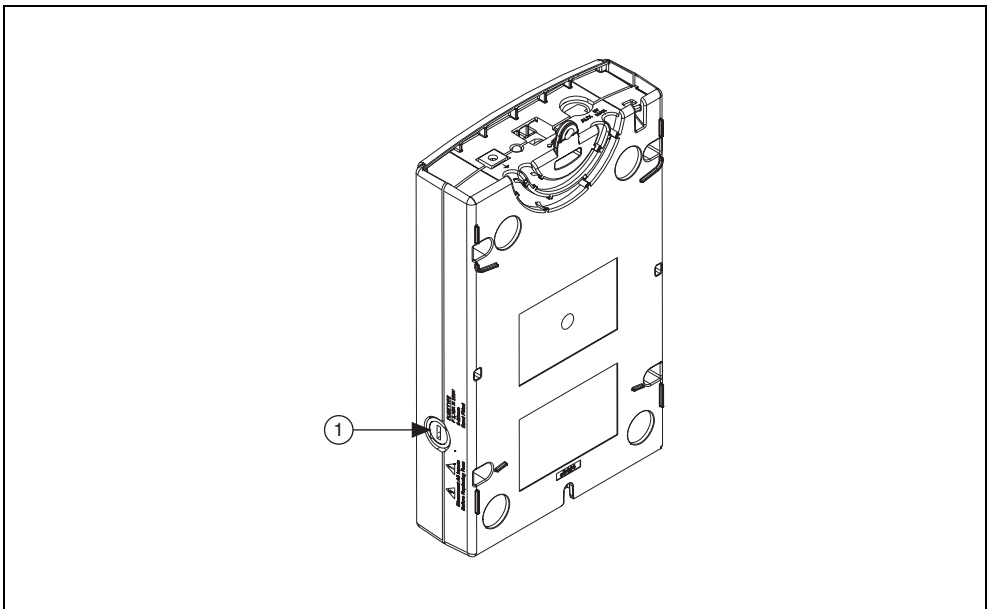


Figure 25. Locating the Fuse on the NI PXI-4065



1 Fuse Holder

Figure 26. Locating the Fuse on the NI PCI/PCIe-4065



1 Fuse Holder

Figure 27. Locating the Fuse on the NI USB-4065

3. Insert a screwdriver into the slot on the fuse holder.
4. Turn counterclockwise.
5. Pull out the holder, and remove the 5 × 20 mm glass fuse.
6. Verify the fuse is blown by measuring discontinuity across the fuse using another meter.
7. Insert a new fuse into the holder and slide the holder back into place.
8. Turn the fuse holder clockwise until it snaps shut.

NI 407x

To replace the fuse, complete the following steps.

(NI PXI-4070/4071/4072)

1. Remove all front panel connections from the NI PXI-407x.
2. Power off the chassis, and remove the NI PXI-407x.
3. Locate the fuse hole shown in Figure 28.

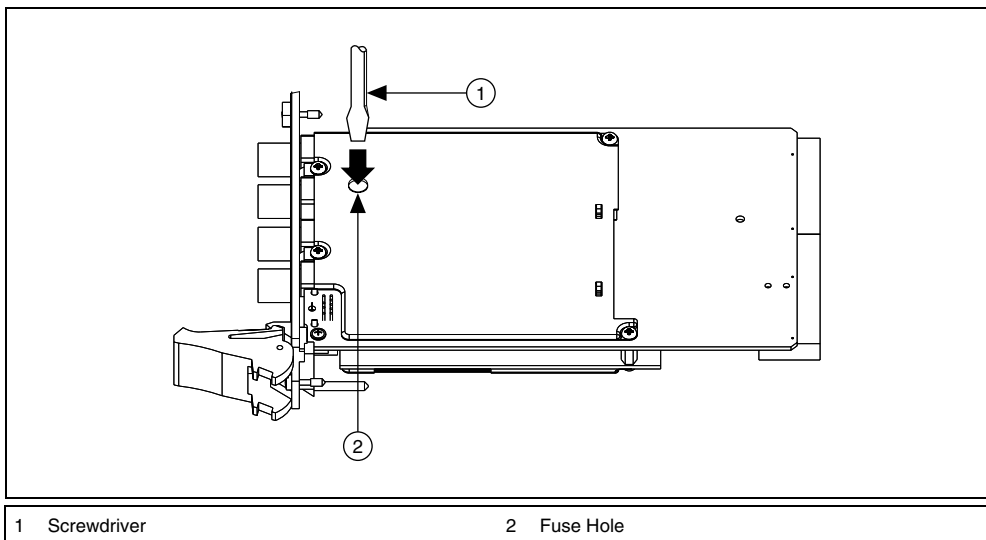


Figure 28. Removing the Fuse from the NI PXI-407x

4. Insert a screwdriver into the hole.



Caution Do *not* cover the fuse slot on the opposite side of the NI PXI-407x with your hand, as doing so may cause injury.

5. Gently press the fuse with the screwdriver until one of the fuse clamps releases.

6. Locate the fuse slot shown in Figure 29.

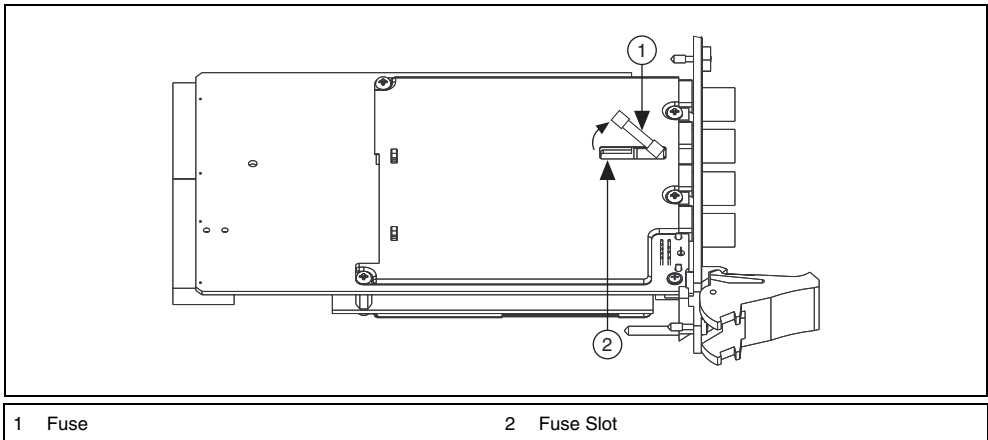


Figure 29. Removing the Fuse from the NI PXI-407x

7. Pry the fuse loose from the slot.
8. Verify the fuse is blown by measuring discontinuity across the fuse using another meter.
9. Insert a new fuse into the fuse slot as shown in Figure 30.

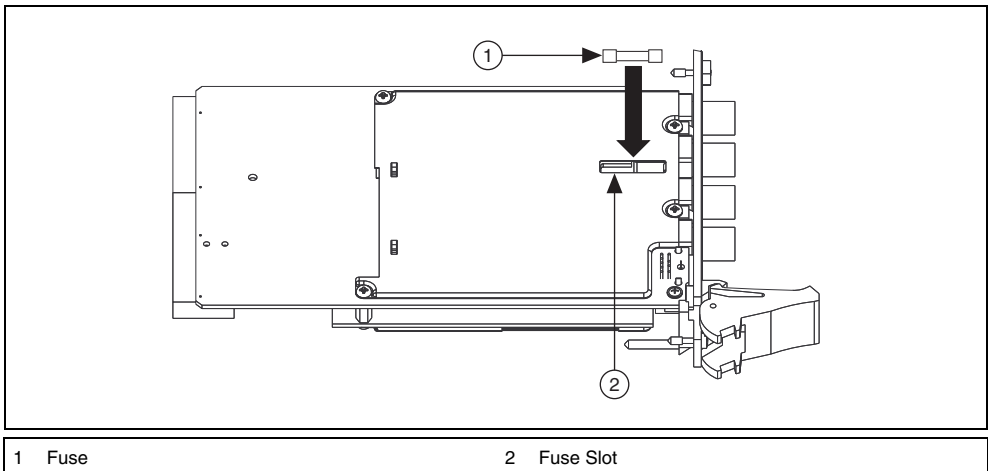


Figure 30. Replacing the Blown Fuse in the NI PXI-407x

10. Gently press the fuse with the screwdriver until both fuse clamps snap the fuse into place.

(NI PCI-4070)

1. Remove all front panel connections from the NI PCI-4070.
2. Power down the chassis, and remove the device.
3. Hold the NI PCI-4070 at the angle shown in Figure 31, and locate the fuse holder.

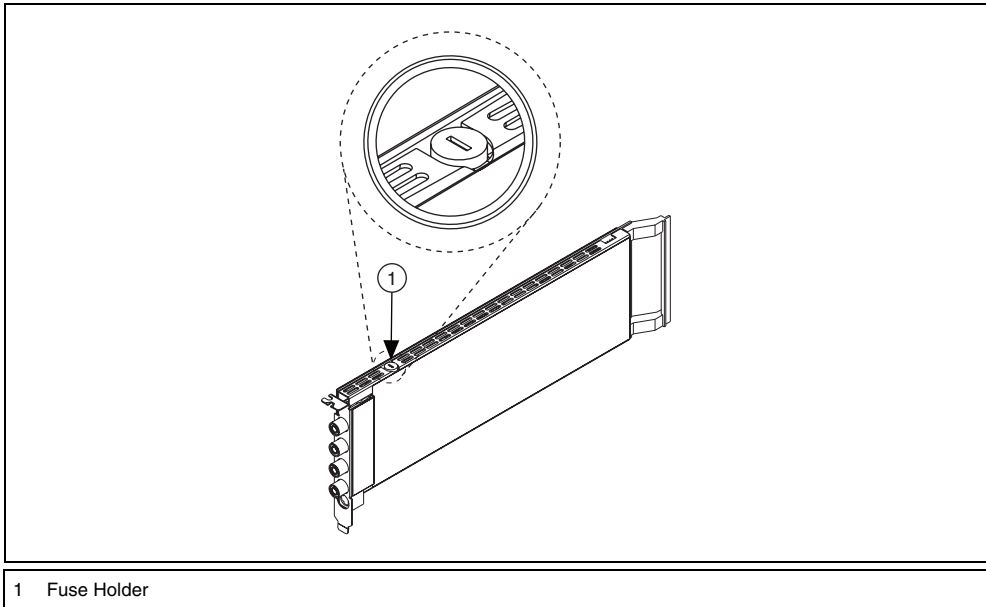


Figure 31. Locating the Fuse on the NI PCI-4070

4. Insert a screwdriver into the slot on the fuse holder.
5. Turn counterclockwise.
6. Pull out the fuse holder, and remove the 5×20 mm fuse.
7. Verify the fuse is blown by measuring discontinuity across the fuse using another meter.
8. Insert a new fuse into the holder, and slide the holder back into place.
9. Turn the fuse holder clockwise until it snaps shut.

NI CSM-10A/200mA

To replace the fuse, complete the following steps.

1. Power down all equipment connected to the current shunt module (CSM).
2. Remove all connections from the CSM.
3. Turn the fuse holder counter-clockwise with a flathead screwdriver and pull the fuse holder out to expose the fuse in the housing.

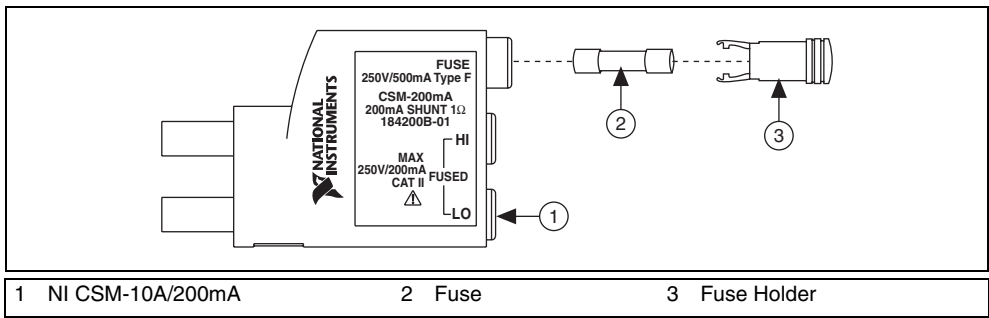


Figure 32. Removing the Fuse

4. Remove the old fuse.
5. Verify the fuse is blown by measuring discontinuity across the fuse using another meter.
6. Install the new fuse.
7. Push the fuse holder back into the housing and turn it clockwise until it tightens completely.

Appendix D: Where to Go for Support

The National Instruments Web site is your complete resource for technical support. At ni.com/support you have access to everything from troubleshooting and application development self-help resources to email and phone assistance from NI Application Engineers.

A Declaration of Conformity (DoC) is our claim of compliance with the Council of the European Communities using the manufacturer's declaration of conformity. This system affords the user protection for electronic compatibility (EMC) and product safety. You can obtain the DoC for your product by visiting ni.com/certification. If your product supports calibration, you can obtain the calibration certificate for your product at ni.com/calibration.

National Instruments corporate headquarters is located at 11500 North Mopac Expressway, Austin, Texas, 78759-3504. National Instruments also has offices located around the world to help address your support needs. For telephone support in the United States, create your service request at ni.com/support and follow the calling instructions or dial 512 795 8248. For telephone support outside the United States, contact your local branch office:

Australia 1800 300 800, Austria 43 662 457990-0, Belgium 32 (0) 2 757 0020,
 Brazil 55 11 3262 3599, Canada 800 433 3488, China 86 21 5050 9800,
 Czech Republic 420 224 235 774, Denmark 45 45 76 26 00, Finland 358 (0) 9 725 72511,
 France 01 57 66 24 24, Germany 49 89 7413130, India 91 80 41190000, Israel 972 3 6393737,
 Italy 39 02 413091, Japan 81 3 5472 2970, Korea 82 02 3451 3400, Lebanon 961 (0) 1 33 28 28,
 Malaysia 1800 887710, Mexico 01 800 010 0793, Netherlands 31 (0) 348 433 466,
 New Zealand 0800 553 322, Norway 47 (0) 66 90 76 60, Poland 48 22 3390150,
 Portugal 351 210 311 210, Russia 7 495 783 6851, Singapore 1800 226 5886,
 Slovenia 386 3 425 42 00, South Africa 27 0 11 805 8197, Spain 34 91 640 0085,
 Sweden 46 (0) 8 587 895 00, Switzerland 41 56 2005151, Taiwan 886 02 2377 2222,
 Thailand 662 278 6777, Turkey 90 212 279 3031, United Kingdom 44 (0) 1635 523545

National Instruments, NI, ni.com, and LabVIEW are trademarks of National Instruments Corporation. Refer to the *Terms of Use* section on ni.com/legal for more information about National Instruments trademarks. Other product and company names mentioned herein are trademarks or trade names of their respective companies. For patents covering National Instruments products, refer to the appropriate location: **Help»Patents** in your software, the `patents.txt` file on your CD, or ni.com/patents.

© 2002–2007 National Instruments Corporation. All rights reserved.

NI-DMM Programming Flow
NI-DMM プログラミングフロー

