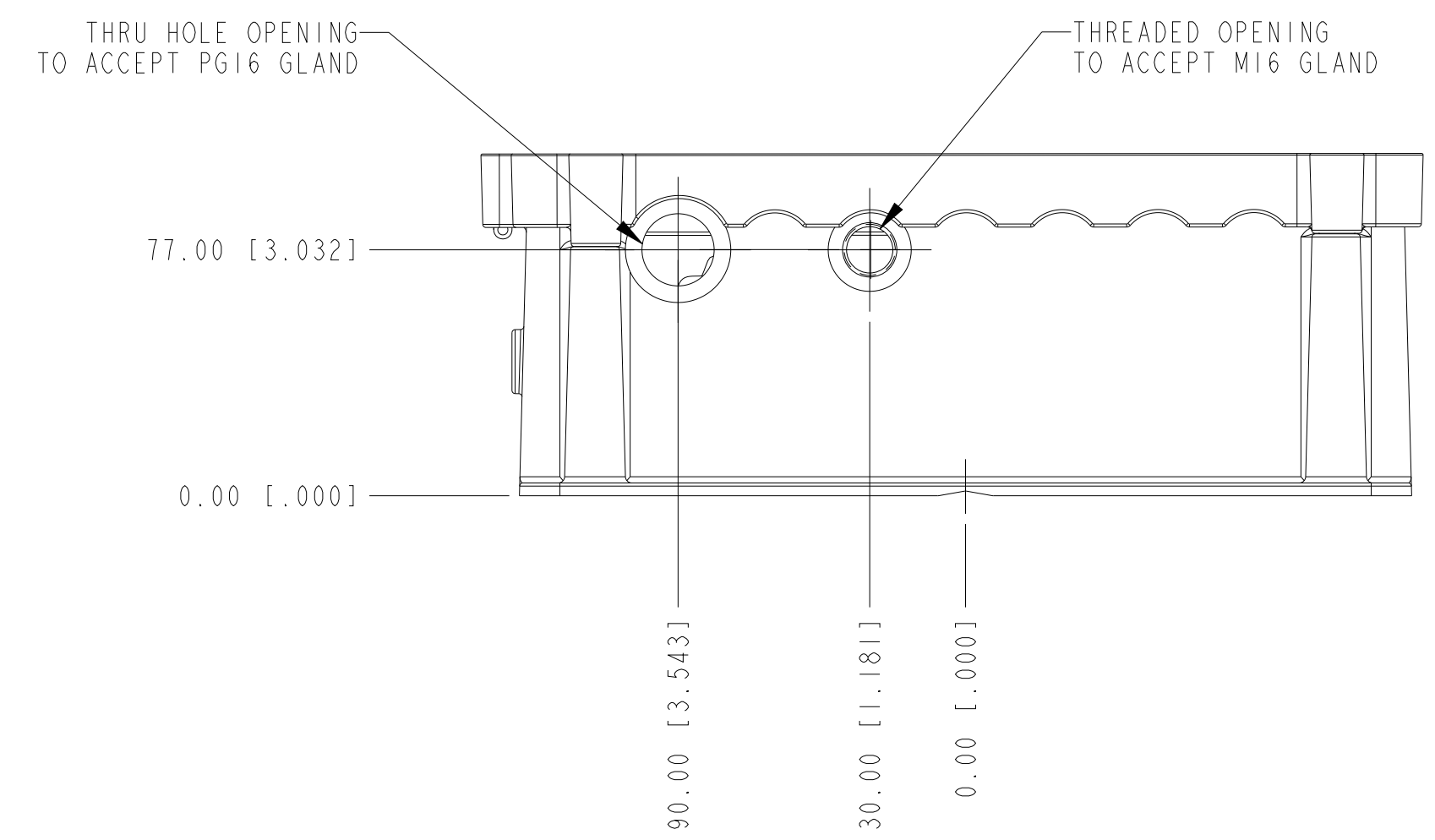


ISOMETRIC VIEW
 WITH CLOSED LID



2. DIMENSIONS IN () ARE FOR REFERENCE ONLY.
 1. REFER TO PRODUCT MANUAL ON NI.COM FOR MORE DETAILS
 NOTES: UNLESS OTHERWISE SPECIFIED.

METRIC		CUSTOMER DRAWING	
UNLESS OTHERWISE SPECIFIED DIMENSIONS ARE IN MILLIMETERS AND INCHES		NATIONAL INSTRUMENTS® AUSTIN, TEXAS	
		TITLE MON-10496	
DO NOT SCALE DRAWING THIRD ANGLE PROJECTION		SIZE CODE IDENT NO. MM/DD/YYYY D7U296 05/14/2019	
SCALE: 1/2		SHEET 1 OF 2	
		CU.MON-10496	

