

## COMPREHENSIVE SERVICES

We offer competitive repair and calibration services, as well as easily accessible documentation and free downloadable resources.

## SELL YOUR SURPLUS

We buy new, used, decommissioned, and surplus parts from every NI series. We work out the best solution to suit your individual needs.

 Sell For Cash    Get Credit    Receive a Trade-In Deal

## OBSOLETE NI HARDWARE IN STOCK & READY TO SHIP

We stock **New**, **New Surplus**, **Refurbished**, and **Reconditioned** NI Hardware.



*Bridging the gap between the manufacturer and your legacy test system.*

 1-800-915-6216

 [www.apexwaves.com](http://www.apexwaves.com)

 [sales@apexwaves.com](mailto:sales@apexwaves.com)

*All trademarks, brands, and brand names are the property of their respective owners.*

**Request a Quote**

 **CLICK HERE**

**NI-9239**

# CALIBRATION PROCEDURE

# NI 9229/9239

4-Channel,  $\pm 60$  V/ $\pm 10$  V, 24-Bit Simultaneous, Channel-to-Channel Isolated Analog Input Modules

Français    Deutsch    日本語    한국어    简体中文  
[ni.com/manuals](http://ni.com/manuals)

This document contains the verification and adjustment procedures for the National Instruments 9229/9239. For more information about calibration solutions, visit [ni.com/calibration](http://ni.com/calibration).

## Contents

Software.....	1
Documentation.....	2
Test Equipment.....	3
Test Conditions.....	3
Initial Setup.....	3
Verification.....	4
Accuracy Verification.....	4
Gain Matching Verification.....	6
Phase Matching Verification.....	7
Adjustment.....	9
Accuracy Adjustment.....	9
EEPROM Update.....	10
Reverification.....	10
Accuracy Under Calibration Conditions.....	10
Worldwide Support and Services.....	11

## Software

Calibrating the NI 9229/9239 requires the installation of NI-DAQmx 9.5 or later on the calibration system. You can download NI-DAQmx from [ni.com/downloads](http://ni.com/downloads). NI-DAQmx supports LabVIEW, LabWindows™/CVI™, ANSI C, Microsoft Visual C++, Microsoft Visual Basic .NET, and Microsoft Visual C#. When you install NI-DAQmx you only need to install support for the application software that you intend to use.

# Documentation

---

Consult the following documents for information about the NI 9229/9239, NI-DAQmx, and your application software. All documents are available on [ni.com](http://ni.com) and help files install with the software.



*NI cDAQ-9174/9178 USB Chassis Quick Start*

NI-DAQmx installation and hardware setup



*NI 9229/9239 Operating Instructions and Specifications*

NI 9229/9239 specific information, specifications, and calibration interval



*NI-DAQmx README*

Operating system and application software support in NI-DAQmx



*LabVIEW Help*

LabVIEW programming concepts and reference information about NI-DAQmx VIs and functions



*NI-DAQmx C Reference Help*

Reference information for NI-DAQmx C functions and NI-DAQmx C properties



*NI-DAQmx .NET Help Support for Visual Studio*

Reference information for NI-DAQmx .NET methods and NI-DAQmx .NET properties, key concepts, and a C enum to .NET enum mapping table

# Test Equipment

---

Table 1 lists the equipment recommended for the performance verification and adjustment procedures. If the recommended equipment is not available, select a substitute using the requirements listed in Table 1.

**Table 1.** Recommended Equipment

Equipment	Recommended Model	Parameter Measured	Requirements
Calibrator	Fluke 5700A	Accuracy, Adjustment	Use a high-precision voltage source with an accuracy $\leq 100$ ppm and an output impedance $\leq 50 \Omega$ .
Function Generator	NI 4461	Gain Matching, Phase Matching	Use a function generator capable of sourcing both 1 kHz and 20 kHz $\pm 10 V_{pk}$ AC sinusoidal signals with amplitude uncertainty of $\pm 10\%$ .
Chassis	NI cDAQ-9178	All	—

## Test Conditions

---

The following setup and environmental conditions are required to ensure the NI 9229/9239 meets published specifications.

- Keep connections to the device as short as possible. Long cables and wires act as antennas, picking up extra noise that can affect measurements.
- Verify that all connections to the NI 9229/9239 are secure.
- **(NI 9229/9239 with screw-terminal)** Use shielded copper wire for all cable connections to the device.
- Use twisted-pairs wire to eliminate noise and thermal offsets.
- Maintain an ambient temperature of  $23 \text{ }^\circ\text{C} \pm 5 \text{ }^\circ\text{C}$ .
- Keep relative humidity below 80%.
- Allow a warm-up time of at least 10 minutes to ensure that the NI 9229/9239 measurement circuitry is at a stable operating temperature.

## Initial Setup

---

Complete the following steps to set up the NI 9229/9239.

1. Install the NI-DAQmx driver software.
2. Make sure the NI cDAQ-9178 power source is not connected.

3. Connect the NI cDAQ-9178 to the system safety ground.
  - a. Attach a ring lug to a 14 AWG (1.6 mm) wire.
  - b. Connect the ring lug to the ground terminal on the side of the NI cDAQ-9178 using the ground screw.
  - c. Attach the other end of the wire to the system safety ground.
4. Install the NI 9229/9239 in slot 8 of the NI cDAQ-9178 chassis. Leave slots 1 through 7 of the NI cDAQ-9178 chassis empty.
5. Connect the NI cDAQ-9178 chassis to your host computer.
6. Connect the power source to the NI cDAQ-9178 chassis.
7. Launch Measurements & Automation Explorer (MAX).
8. Right-click the device name and select **Self-Test** to ensure that the device is working properly.

## Verification

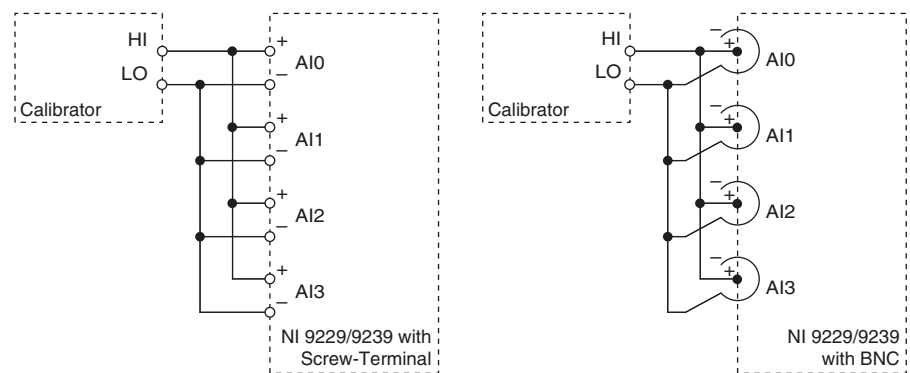
The following performance verification procedures describe the sequence of operation and provide test points required to verify the NI 9229/9239. The verification procedures assume that adequate traceable uncertainties are available for the calibration references.

### Accuracy Verification

Complete the following procedure to determine the As-Found status of the NI 9229/9239.

1. Set the calibrator to Standby mode (STBY).
2. Connect the NI 9229/9239 to the calibrator as shown in Figure 1.

**Figure 1. Accuracy Verification Connections**



3. Set the calibrator voltage to a Test Point value indicated in Tables 4 or 5.
4. Set the calibrator to Operate mode (OPR).

5. Acquire and average samples.
  - a. Create and configure an AI voltage task on the NI 9229/9239 according to Table 2.

**Table 2.** NI 9229/9239 Configuration for Accuracy Verification

Module	Physical Channels	Min (V)	Max (V)	Scaled Units	Terminal Configuration
9229	AI0:3	-60	60	Volts	Differential
9239	AI0:3	-10	10	Volts	Differential

- b. Configure the AI voltage task timing according to Table 3.

**Table 3.** NI 9229/9239 Timing Configuration

Sample Mode	Samples Per Channel	Rate
Finite Samples	2000	8330

- c. Start the task.
  - d. Read samples from the NI 9229/9239.
  - e. Average the samples per channel.
  - f. Clear the task.
6. Compare the per channel average to the limits in Table 4 or Table 5.

**Table 4.** NI 9229 Verification Test Limits for Accuracy

Range		Test Point		1-Year Limits	
Min (V)	Max (V)	Location	Value (V)	Lower Limit (V)	Upper Limit (V)
-60	60	Max	57.00000	56.9695	57.0304
		Mid	0.00	-0.00766	0.00766
		Min	-57.00000	-57.0304	-56.9695

**Table 5.** NI 9239 Verification Test Limits for Accuracy

Range		Test Point		1-Year Limits	
Min (V)	Max (V)	Location	Value (V)	Lower Limit (V)	Upper Limit (V)
-10	10	Max	9.50000	9.4948	9.50515
		Mid	0.00	-0.00135	0.00135
		Min	-9.50000	-9.50515	-9.4948



**Note** The test limits listed in Table 4 and 5 are derived using the values in Table 14.

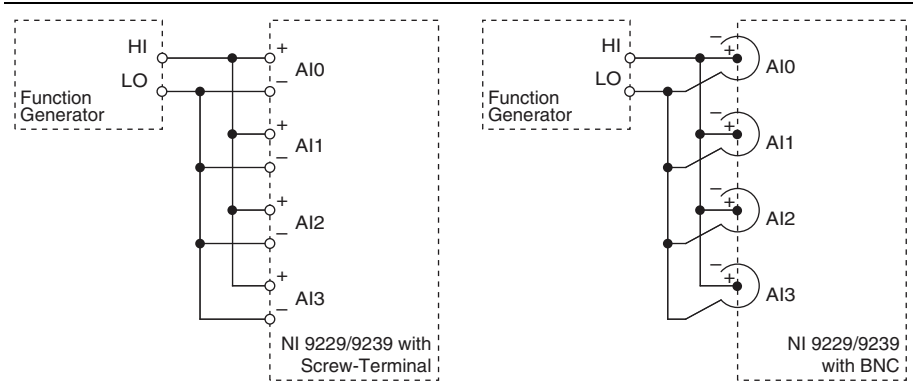
7. Set the calibrator to Standby mode (STBY).
8. Repeat steps 3 through 7 for each test point in Table 4.
9. Disconnect the calibrator from the device.

## Gain Matching Verification

Complete the following procedure to determine the As-Found status of the NI 9229/9239.

1. Connect the NI 9229/9239 to the function generator as shown in Figure 2.

**Figure 2. Gain Matching Verification Connections**



2. Configure function generator according to Table 6.

**Table 6. Function Generator Configuration for Gain Matching Verification**

Signal Type	Amplitude ( $V_{pk}$ )	Frequency (kHz)
Sinewave	9	20

3. Acquire and average samples.
  - a. Create and configure an AI voltage task on the NI 9229/9239 according to Table 7.

**Table 7. NI 9229/9239 Configuration for Gain Matching Verification**

Module	Physical Channels	Min (V)	Max (V)	Scaled Units	Terminal Configuration
9229	AI0:3	-60	60	Volts	Differential
9239	AI0:3	-10	10	Volts	Differential

- b. Configure the AI voltage task timing according to Table 3.

**Table 8.** NI 9229/9239 Timing Configuration

Sample Mode	Samples Per Channel	Rate
Finite Samples	25000	50000

- c. Enable the function generator.
  - d. Start the task and wait for it to complete.
  - e. Calculate the amplitude for each reading and record the result as  $Amplitude_{Acq}$ .
  - f. Disable the function generator.
  - g. Clear the task.
4. Perform the following calculation using the  $Amplitude_{Acq}$  value.

$$Amplitude(dB) = \left( 20 \times \log_{10} \left( \frac{Amplitude_{Acq}}{9V} \right) \right)$$

- 5. Repeat step 4 for each channel.
- 6. Compare the channel-to-channel gain difference to the maximum limit of  $\pm 0.22$  dB.

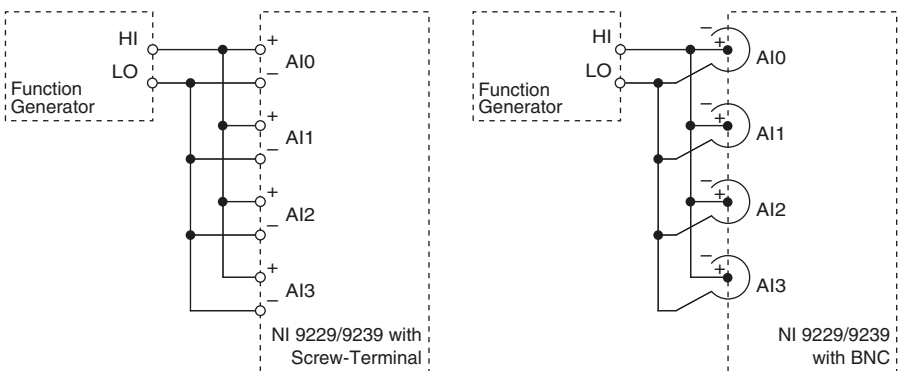
If the Gain Matching verification procedure determines that the NI 9229/9239 is outside of the limits, refer to [Worldwide Support and Services](#) for assistance in returning the device to NI.

## Phase Matching Verification

Complete the following procedure to determine the As-Found status of the NI 9229/9239.

- 1. Connect the NI 9229/9239 to the function generator as shown in Figure 3.

**Figure 3.** Phase Matching Verification Connections





2. Configure function generator according to Table 9.

**Table 9.** Function Generator Configuration for Phase Matching Verification

Signal Type	Amplitude ( $V_{pk}$ )
Sinewave	9

3. Set the function generator frequency to a value indicated in Table 12.
4. Acquire and average samples.
  - a. Create and configure an AI voltage task on the NI 9229/9239 according to Table 10.

**Table 10.** NI 9229/9239 Configuration for Phase Matching Verification

Module	Physical Channels	Min (V)	Max (V)	Scaled Units	Terminal Configuration
9229	AI0:3	-60	60	Volts	Differential
9239	AI0:3	-10	10	Volts	Differential

- b. Configure the AI voltage task timing according to Table 3.

**Table 11.** NI 9229/9239 Timing Configuration

Sample Mode	Samples Per Channel	Rate
Finite Samples	25000	50000

- c. Enable the function generator.
    - d. Start the task.
    - e. Read samples.
    - f. Disable the function generator.
    - g. Clear the task.
5. Calculate the phase for each channel on the NI 9229/9239. NI recommends using the Extract Single Tone Information VI to calculate phase.

6. Compare the channel-to-channel phase difference to the limits in Table 12.
7. Repeat steps 2 through 6 for each test point in Table 12.

**Table 12.** NI 9229/9239 Verification Test Limits for Phase Matching

Module	Generator Frequency (kHz)	Phase Matching Channel-to-Channel Limit
NI 9229	1	$\pm 0.045^\circ$
	20	$\pm 0.900^\circ$
NI 9239	1	$\pm 0.075^\circ$
	20	$\pm 1.500^\circ$

If the Phase Matching verification procedure determines that the NI 9229/9239 is outside of the limits, refer to [Worldwide Support and Services](#) for assistance in returning the device to NI.

## Adjustment

The following performance adjustment procedure describes the sequence of operation required to adjust the NI 9229/9239.

### Accuracy Adjustment

Complete the following procedure to adjust the accuracy performance of the NI 9229/9239.

1. Set the calibrator to Standby mode (STBY).
2. Connect the NI 9229/9239 to the calibrator as shown in Figure 1.



**Note** If the calibrator outputs are truly floating, the negative output must be connected to a quiet earth ground as well as AI- to give the entire system a ground reference.

3. Adjust the NI 9229/9239.
  - a. Initialize a calibration session on the NI 9229/9239. The default password is NI.
  - b. Input the external temperature in degrees Celsius.
  - c. Call the NI 9229/9239 get C Series adjustment points function to obtain an array of recommended calibration voltages for the NI 9229/9239.
  - d. Set the calibrator to a reference value determined by the array of recommended calibration voltages.
  - e. Set the calibrator to Operate mode (OPR).
  - f. Call and configure the NI 9229/9239 adjustment function according to Table 13.

**Table 13.** Adjustment Configuration

Physical Channel	Reference Value
cDAQMod8/air	The reference value from the array of adjustment points

- g. Set the calibrator to Standby mode (STBY).
  - h. Repeat steps d through g for each calibration voltage in the array.
  - i. Close the calibration session.
4. Disconnect the NI 9229/9239 from the calibrator.

## EEPROM Update

---

When an adjustment procedure is completed, the NI 9229/9239 internal calibration memory (EEPROM) is immediately updated.

If you do not want to perform an adjustment, you can update the calibration date and onboard calibration temperature without making any adjustments by initializing an external calibration, setting the C Series calibration temperature, and closing the external calibration.

## Reverification

---

Repeat the [Verification](#) section to determine the As-Left status of the device.



**Note** If any test fails Reverification after performing an adjustment, verify that you have met the [Test Conditions](#) before returning your device to NI. Refer to [Worldwide Support and Services](#) for assistance in returning the device to NI.

## Accuracy Under Calibration Conditions

---

The following calibration specifications are valid under the following conditions:

- Ambient temperature  $23 \pm 5$  °C
- NI 9229/9239 installed in slot 8 of an NI cDAQ-9178 chassis
- Slots 1 through 7 of the NI cDAQ-9178 chassis are empty



**Note** The test limits listed in Table 4 are derived using the values in Table 14.

**Table 14.** NI 9229/9239 Accuracy Under Calibration Conditions

Module	Gain Error	Offset Error
NI 9229	±0.04%	±7.66 mV
NI 9239	±0.04%	±1.35 mV



**Note** For operational specifications, refer to the most recent *NI 9229/9239 Operating Instructions and Specifications* online at [ni.com/manuals](http://ni.com/manuals).

## Worldwide Support and Services

---

The National Instruments website is your complete resource for technical support. At [ni.com/support](http://ni.com/support) you have access to everything from troubleshooting and application development self-help resources to email and phone assistance from NI Application Engineers.

Visit [ni.com/services](http://ni.com/services) for NI Factory Installation Services, repairs, extended warranty, and other services.

Visit [ni.com/register](http://ni.com/register) to register your National Instruments product. Product registration facilitates technical support and ensures that you receive important information updates from NI.

A Declaration of Conformity (DoC) is our claim of compliance with the Council of the European Communities using the manufacturer's declaration of conformity. This system affords the user protection for electromagnetic compatibility (EMC) and product safety. You can obtain the DoC for your product by visiting [ni.com/certification](http://ni.com/certification). If your product supports calibration, you can obtain the calibration certificate for your product at [ni.com/calibration](http://ni.com/calibration).

National Instruments corporate headquarters is located at 11500 North Mopac Expressway, Austin, Texas, 78759-3504. National Instruments also has offices located around the world. For telephone support in the United States, create your service request at [ni.com/support](http://ni.com/support) or dial 1 866 ASK MYNI (275 6964). For telephone support outside the United States, visit the Worldwide Offices section of [ni.com/niglobal](http://ni.com/niglobal) to access the branch office websites, which provide up-to-date contact information, support phone numbers, email addresses, and current events.

Refer to the *NI Trademarks and Logo Guidelines* at [ni.com/trademarks](http://ni.com/trademarks) for more information on National Instruments trademarks. Other product and company names mentioned herein are trademarks or trade names of their respective companies. For patents covering National Instruments products/technology, refer to the appropriate location: **Help>Patents** in your software, the `patents.txt` file on your media, or the *National Instruments Patents Notice* at [ni.com/patents](http://ni.com/patents). You can find information about end-user license agreements (EULAs) and third-party legal notices in the readme file for your NI product. Refer to the *Export Compliance Information* at [ni.com/legal/export-compliance](http://ni.com/legal/export-compliance) for the National Instruments global trade compliance policy and how to obtain relevant HTS codes, ECCNs, and other import/export data. NI MAKES NO EXPRESS OR IMPLIED WARRANTIES AS TO THE ACCURACY OF THE INFORMATION CONTAINED HEREIN AND SHALL NOT BE LIABLE FOR ANY ERRORS. U.S. Government Customers: The data contained in this manual was developed at private expense and is subject to the applicable limited rights and restricted data rights as set forth in FAR 52.227-14, DFAR 252.227-7014, and DFAR 252.227-7015.