

## COMPREHENSIVE SERVICES

We offer competitive repair and calibration services, as well as easily accessible documentation and free downloadable resources.

## SELL YOUR SURPLUS

We buy new, used, decommissioned, and surplus parts from every NI series. We work out the best solution to suit your individual needs.

 Sell For Cash    Get Credit    Receive a Trade-In Deal

## OBSOLETE NI HARDWARE IN STOCK & READY TO SHIP

We stock **New**, **New Surplus**, **Refurbished**, and **Reconditioned** NI Hardware.



*Bridging the gap between the manufacturer and your legacy test system.*

 1-800-915-6216

 [www.apexwaves.com](http://www.apexwaves.com)

 [sales@apexwaves.com](mailto:sales@apexwaves.com)

*All trademarks, brands, and brand names are the property of their respective owners.*

**Request a Quote**

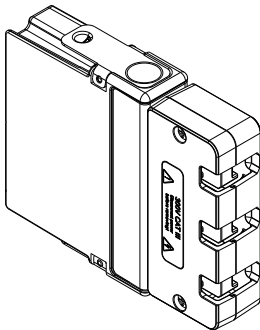
 **CLICK HERE**

**NI-9247**

## GETTING STARTED GUIDE

# NI 9247

3-Channel, 50 Arms Continuous, 24-Bit, Analog  
Input Module



This document explains how to connect to the NI 9247.



**Note** Before you begin, complete the software and hardware installation procedures in your chassis documentation.



**Note** The guidelines in this document are specific to the NI 9247. The other components in the system might not meet the same safety ratings. Refer to the documentation for each component in the system to determine the safety and EMC ratings for the entire system.

## Safety Guidelines

---

Operate the NI 9247 only as described in this document.



**Caution** Do not operate the NI 9247 in a manner not specified in this document. Product misuse can result in a hazard. You can compromise the safety protection built into the product if the product is damaged in any way. If the product is damaged, return it to NI for repair.

## Safety Guidelines for Hazardous Voltages

If hazardous voltages are connected to the device, take the following precautions. A hazardous voltage is a voltage greater than 42.4 Vpk voltage or 60 VDC to earth ground.



**Caution** Ensure that hazardous voltage wiring is performed only by qualified personnel adhering to local electrical standards.



**Caution** Do not mix hazardous voltage circuits and human-accessible circuits on the same module.



**Caution** Ensure that devices and circuits connected to the module are properly insulated from human contact.



**Caution** When module terminals are hazardous voltage LIVE ( $>42.4$  Vpk/60 VDC), you must ensure that devices and circuits connected to the module are properly insulated from human contact.

## Safety Voltages

Connect only voltages that are within the following limits:

Maximum working voltage,  
channel-to-earth ground

Continuous

Up to 2,000 m.....	300 Vrms, Measurement altitude Category III
Up to 5,000 m.....	150 Vrms, Measurement altitude Category III or 300 Vrms, Measurement Category II

Maximum working voltage,  
channel-to-channel

Continuous

Up to 2,000 m.....	480 Vrms, Measurement altitude Category III
Up to 5,000 m.....	300 Vrms, Measurement altitude Category III or 480 Vrms, Measurement Category II

## Withstand

Channel-to-channel.....	3510 Vrms, verified by a 5 s dielectric withstand test
Channel-to-earth..... ground	3510 Vrms, verified by a 5 s dielectric withstand test

Measurement Category II is for measurements performed on circuits directly connected to the electrical distribution system. This category refers to local-level electrical distribution, such as that provided by a standard wall outlet, for example, 115 V for U.S. or 230 V for Europe.

Measurement Category III is for measurements performed in the building installation at the distribution level. This category refers to measurements on hard-wired hardware such as hardware in fixed installations, distribution boards, and circuit breakers. Other examples are wiring, including cables, bus bars, junction boxes, switches, socket outlets in the fixed installation, and stationary motors with permanent connections to fixed installations.



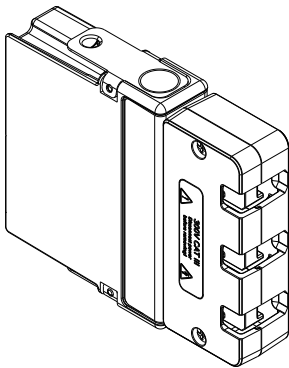
**Caution** Do not connect the NI 9247 to signals or use for measurements within Measurement Category IV.



**Caution** The NI 9247 ships with a connector backshell to ensure that the terminals are not accessible. Do not operate the device without first installing this backshell.

**Figure 1.** NI 9247 with Backshell

---



## Related Information

[Installing the NI 9247 Backshell](#) on page 14



## Electromagnetic Compatibility Guidelines

---

This product was tested and complies with the regulatory requirements and limits for electromagnetic compatibility (EMC) stated in the product specifications. These requirements and limits provide reasonable protection against harmful interference when the product is operated in the intended operational electromagnetic environment.

This product is intended for use in industrial locations. However, harmful interference may occur in some installations, when the product is connected to a peripheral device or test object, or if the product is used in residential or commercial areas. To minimize interference with radio and television reception and prevent unacceptable performance degradation, install and use this product in strict accordance with the instructions in the product documentation.

Furthermore, any changes or modifications to the product not expressly approved by National Instruments could void your authority to operate it under your local regulatory rules.

## Special Conditions for Marine Applications

Some products are Lloyd's Register (LR) Type Approved for marine (shipboard) applications. To verify Lloyd's Register certification for a product, visit [ni.com/certification](https://ni.com/certification) and search for the LR certificate, or look for the Lloyd's Register mark on the product.



**Caution** In order to meet the EMC requirements for marine applications, install the product in a shielded enclosure with shielded and/or filtered power and input/output ports. In addition, take precautions when designing, selecting, and installing measurement probes and cables to ensure that the desired EMC performance is attained.

## Preparing the Environment

---

Ensure that the environment in which you are using the NI 9247 meets the following specifications.

Operating temperature.....-40 °C to 70 °C  
(IEC 60068-2-1, IEC 60068-2-2)

Operating humidity.....10% RH to 90% RH,  
(IEC 60068-2-78) noncondensing

Pollution Degree.....2

Maximum altitude.....5,000 m

Indoor use only.



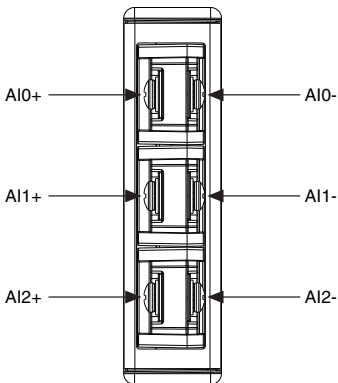
**Note** Refer to the device datasheet on [ni.com/manuals](https://ni.com/manuals) for complete specifications.

## Connecting the NI 9247

---

The NI 9247 provides connection for three analog input channels.

**Figure 2.** NI 9247 Pinout



**Note** The NI 9247 does not measure DC currents.



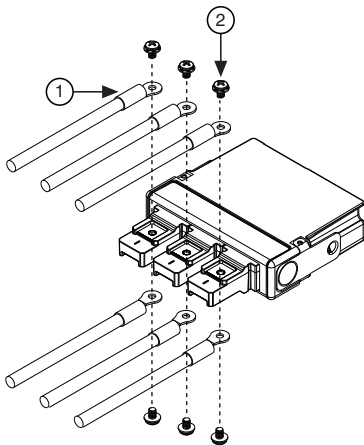
**Caution** Connecting a DC current source to the NI 9247 outside of the specifications stated in the *NI 9247 Datasheet* may lead to invalid measurements.

Refer to the datasheet on [ni.com/manuals](https://ni.com/manuals) for the NI 9247 specifications.

## Connecting Cables Using Ring Lug Connectors

Complete the following steps to connect cables using ring lug connectors. Use 5.26 mm<sup>2</sup> (10 AWG) cables.

**Figure 3. Installing Cables**



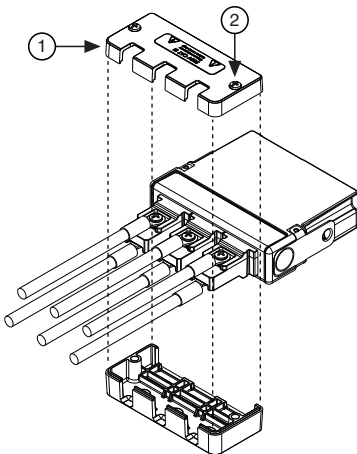
1. Align the cables with the device terminals.
2. Secure the cables using the ring lug screws. Tighten the screws to 1.36 N · m (12 lb · in.) torque.

## Installing the NI 9247 Backshell

Complete the following steps to install the NI 9247 backshell.

**Figure 4. Connector Backshell Installation**

---



- 
1. Align the backshell components with the device terminals.
  2. Secure the backshell using the captive screws. Tighten to 0.45 N · m (4 lb · in.) torque.
-



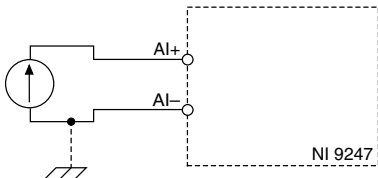
## Connecting Phase Measurements

You can connect three-phase measurement configurations and single-phase measurement configurations to the NI 9247.

You can connect a current source to the NI 9247 for single-phase measurements. For grounded current sources, connect to the chassis ground.

**Figure 5.** Connecting a Grounded or Floating Current Source

---



For three-phase measurements, connect three current sources to the NI 9247.

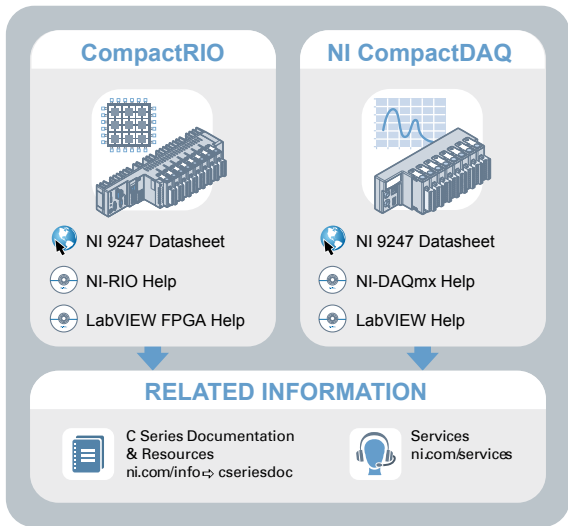
## High-Vibration Applications

---

Proper strain relief of 5.26 mm<sup>2</sup> (10 AWG) cable is required to meet the shock and vibration performance specifications stated in the *NI 9247 Datasheet* on [ni.com/manuals](http://ni.com/manuals). Strain relieve all cabling as close to the chassis mounting plate as possible to reduce the stresses exerted on the module. Ensure that you do not directionally bias the module when applying strain relief.

# Where to Go Next

---



Located at [ni.com/manuals](http://ni.com/manuals)



Installs with the software

## Worldwide Support and Services

---

The National Instruments website is your complete resource for technical support. At [ni.com/support](https://ni.com/support), you have access to everything from troubleshooting and application development self-help resources to email and phone assistance from NI Application Engineers.

Visit [ni.com/services](https://ni.com/services) for NI Factory Installation Services, repairs, extended warranty, and other services.

Visit [ni.com/register](https://ni.com/register) to register your National Instruments product. Product registration facilitates technical support and ensures that you receive important information updates from NI.

A Declaration of Conformity (DoC) is our claim of compliance with the Council of the European Communities using the manufacturer's declaration of conformity. This system affords the user protection for electromagnetic compatibility (EMC) and product safety. You can obtain the DoC for your product by visiting [ni.com/certification](https://ni.com/certification). If your product supports calibration, you can obtain the calibration certificate for your product at [ni.com/calibration](https://ni.com/calibration).

National Instruments corporate headquarters is located at 11500 North Mopac Expressway, Austin, Texas, 78759-3504. National Instruments also has offices located around the world. For telephone support in the United States, create your service request at [ni.com/support](http://ni.com/support) or dial 1 866 ASK MYNI (275 6964). For telephone support outside the United States, visit the *Worldwide Offices* section of [ni.com/niglobal](http://ni.com/niglobal) to access the branch office websites, which provide up-to-date contact information, support phone numbers, email addresses, and current events.

Refer to the *NI Trademarks and Logo Guidelines* at [ni.com/trademarks](http://ni.com/trademarks) for information on National Instruments trademarks. Other product and company names mentioned herein are trademarks or trade names of their respective companies. For patents covering National Instruments products/technology, refer to the appropriate location: **Help»Patents** in your software, the `patents.txt` file on your media, or the *National Instruments Patent Notice* at [ni.com/patents](http://ni.com/patents). You can find information about end-user license agreements (EULAs) and third-party legal notices in the readme file for your NI product. Refer to the *Export Compliance Information* at [ni.com/legal/export-compliance](http://ni.com/legal/export-compliance) for the National Instruments global trade compliance policy and how to obtain relevant HTS codes, ECCNs, and other import/export data. NI MAKES NO EXPRESS OR IMPLIED WARRANTIES AS TO THE ACCURACY OF THE INFORMATION CONTAINED HEREIN AND SHALL NOT BE LIABLE FOR ANY ERRORS. U.S. Government Customers: The data contained in this manual was developed at private expense and is subject to the applicable limited rights and restricted data rights as set forth in FAR 52.227-14, DFAR 252.227-7014, and DFAR 252.227-7015.

© 2015 National Instruments. All rights reserved.