

COMPREHENSIVE SERVICES

We offer competitive repair and calibration services, as well as easily accessible documentation and free downloadable resources.

SELL YOUR SURPLUS

We buy new, used, decommissioned, and surplus parts from every NI series. We work out the best solution to suit your individual needs.

 Sell For Cash  Get Credit  Receive a Trade-In Deal

OBSOLETE NI HARDWARE IN STOCK & READY TO SHIP

We stock **New**, **New Surplus**, **Refurbished**, and **Reconditioned** NI Hardware.



Bridging the gap between the manufacturer and your legacy test system.

 1-800-915-6216

 www.apexwaves.com

 sales@apexwaves.com

All trademarks, brands, and brand names are the property of their respective owners.

Request a Quote

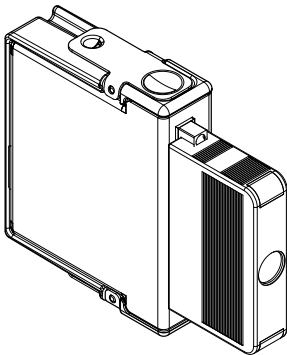
 **CLICK HERE**

NI-9939

GETTING STARTED GUIDE

NI 9436

8 DI, ± 100 VDC to ± 250 VDC/100 VAC to
250 VAC, Sinking/Sourcing, 20 ms



This document explains how to connect to the NI 9436.



Note Before you begin, complete the software and hardware installation procedures in your chassis documentation.



Note The guidelines in this document are specific to the NI 9436. The other components in the system might not meet the same safety ratings. Refer to the documentation for each component in the system to determine the safety and EMC ratings for the entire system.

Safety Guidelines

Operate the NI 9436 only as described in this document.



Caution Do not operate the NI 9436 in a manner not specified in this document. Product misuse can result in a hazard. You can compromise the safety protection built into the product if the product is damaged in any way. If the product is damaged, return it to NI for repair.

Safety Voltages

Connect only voltages that are within the following limits:

DIa-to-DIb	250 Vrms maximum, Measurement Category II
------------	--

Isolation

Channel-to-channel

Continuous	250 Vrms, Measurement Category II
------------	--------------------------------------

Withstand	1,500 Vrms, verified by a 5 s dielectric withstand test
-----------	--

Channel-to-earth ground

Continuous	250 Vrms, Measurement Category II
------------	--------------------------------------

Withstand	3,000 Vrms, verified by a 5 s dielectric withstand test
-----------	--

Measurement Category II is for measurements performed on circuits directly connected to the electrical distribution system. This category refers to local-level electrical distribution, such as

that provided by a standard wall outlet, for example, 115 V for U.S. or 230 V for Europe.



Caution Do not connect the NI 9436 to signals or use for measurements within Measurement Categories III or IV.

Safety Guidelines for Hazardous Voltages

If hazardous voltages are connected to the device, take the following precautions. A hazardous voltage is a voltage greater than 42.4 Vpk voltage or 60 VDC to earth ground.



Hazardous Voltage This icon denotes a warning advising you to take precautions to avoid electrical shock.



Caution Ensure that hazardous voltage wiring is performed only by qualified personnel adhering to local electrical standards.



Caution Do not mix hazardous voltage circuits and human-accessible circuits on the same module.



Caution Ensure that devices and circuits connected to the module are properly insulated from human contact.

Electromagnetic Compatibility Guidelines

This product was tested and complies with the regulatory requirements and limits for electromagnetic compatibility (EMC) stated in the product specifications. These requirements and limits provide reasonable protection against harmful interference when the product is operated in the intended operational electromagnetic environment.

This product is intended for use in industrial locations. However, harmful interference may occur in some installations, when the product is connected to a peripheral device or test object, or if the product is used in residential or commercial areas. To minimize interference with radio and television reception and prevent unacceptable performance degradation, install and use this product in strict accordance with the instructions in the product documentation.

Furthermore, any changes or modifications to the product not expressly approved by National Instruments could void your authority to operate it under your local regulatory rules.

Special Conditions for Marine Applications

Some products are Lloyd's Register (LR) Type Approved for marine (shipboard) applications. To verify Lloyd's Register certification for a product, visit ni.com/certification and search for the LR certificate, or look for the Lloyd's Register mark on the product.



Caution In order to meet the EMC requirements for marine applications, install the product in a shielded enclosure with shielded and/or filtered power and input/output ports. In addition, take precautions when designing, selecting, and installing measurement probes and cables to ensure that the desired EMC performance is attained.

Preparing the Environment

Ensure that the environment in which you are using the NI 9436 meets the following specifications.

Operating temperature (IEC 60068-2-1, IEC 60068-2-2)	-40 °C to 70 °C
---	-----------------

Operating humidity (IEC 60068-2-78)	10% RH to 90% RH, noncondensing
--	------------------------------------

Pollution Degree	2
------------------	---

Maximum altitude	5,000 m
------------------	---------

Indoor use only.



Note Refer to the device datasheet on ni.com/manuals for complete specifications.

NI 9436 Pinout

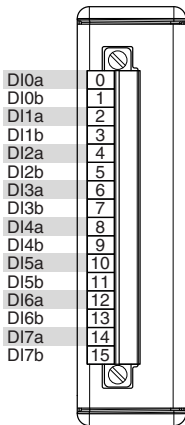
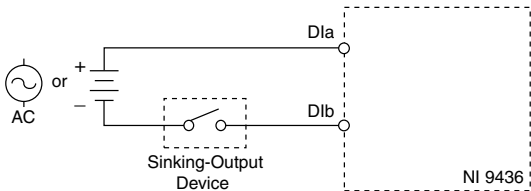


Table 1. Signal Descriptions

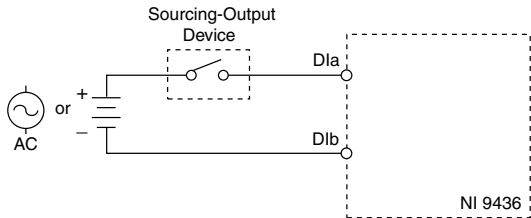
Signal	Description
DIa and DIb	Digital input signal connections

Sinking-Output Connections



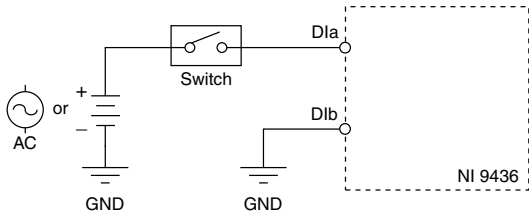
The NI 9436 channel registers as ON when the sinking-output device drives the input within the input ON range. If no device is connected to DI, the channel registers as OFF.

Sourcing-Output Connections

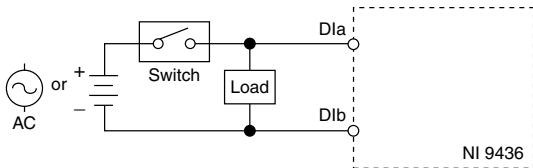


The NI 9436 channel registers as ON when the sourcing-output device drives enough current or applies enough voltage to DI. If no device is connected to DI, the channel registers as OFF.

Switch Connections



Load Connections



NI 9436 Connection Guidelines

Make sure that devices you connect to the NI 9436 are compatible with the module specifications.

You must use 2-wire ferrules to create a secure connection when connecting more than one wire to a single terminal on the NI 9436.

Wiring the NI 9436



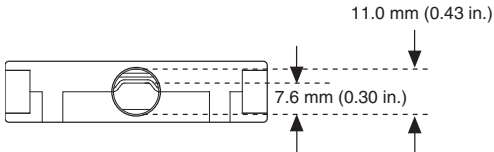
Caution For safe operation with hazardous voltages, you must use the NI 9939 Connector Backshell with the 16-position screw terminal connector on the NI 9436.

When connecting all 16 terminals, the total maximum wire diameter including insulation must not exceed 2.3 mm (0.09 in.) per wire in order to fit through the 11.0 mm (0.43 in.) opening on the NI 9939.

When connecting all 16 terminals using the cable retainer, the total maximum wire diameter including insulation must not

exceed 1.6 mm (0.06 in.) per wire in order to fit under the 7.6 mm (0.30 in.) clearance of the NI 9939 cable retainer.

Figure 1. NI 9939 Wire Clearance Dimensions



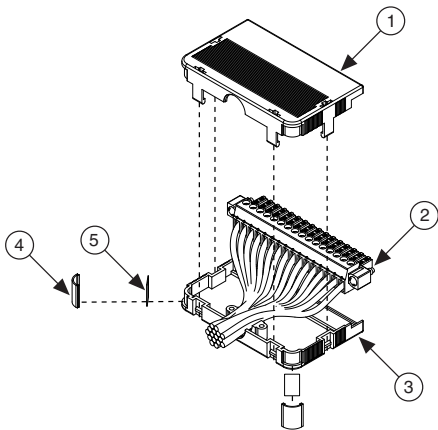
Complete the appropriate procedure based on the total maximum wire diameter used.

Installing the NI 9939

What to Use

- NI 9939 kit
- 0.05 mm² to 1.5 mm² (30 AWG to 14 AWG) wire with 6 mm (0.24 in.) of the insulation stripped
- Slotted screwdriver

What to Do



1. Insert the stripped end of the wire fully into the appropriate terminal on the 16-Position Screw Terminal Connector (2) and tighten the screw. Make sure no exposed wire extends past the screw terminal.

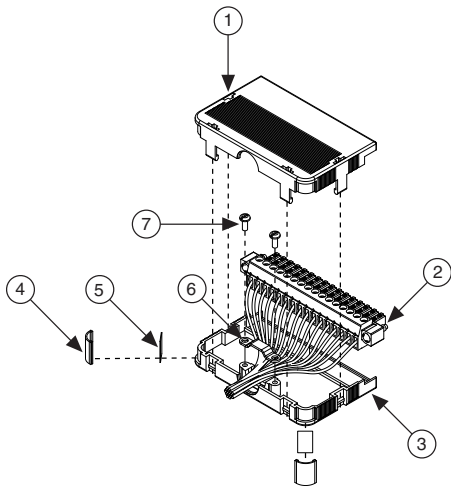
2. Route the wire through the NI 9939 opening and remove slack from the wiring.
3. Install the Backshell Top Enclosure (1) to the Backshell Bottom Enclosure (3).
4. Place the Label (5) in the Label Carrier (4) and attach onto the backshell.

Installing the NI 9939 Using the Cable Retainer

What to Use

- NI 9939 kit
- 0.05 mm² to 1.5 mm² (30 AWG to 14 AWG) wire with 6 mm (0.24 in.) of the insulation stripped
- Slotted screwdriver

What to Do



1. Insert the stripped end of the wire fully into the appropriate terminal on the 16-Position Screw Terminal Connector (2)

and tighten the screw. Make sure no exposed wire extends past the screw terminal.

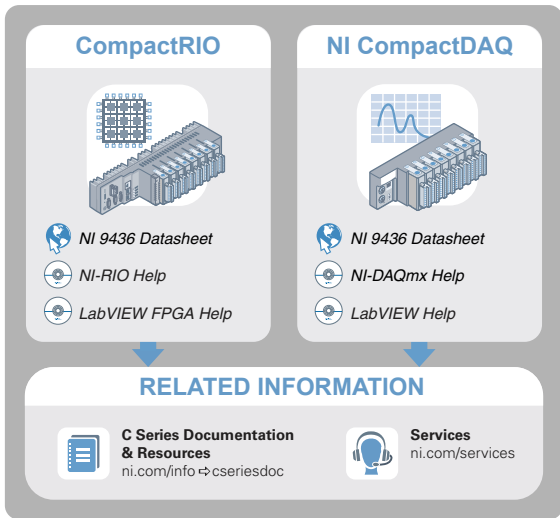
2. Route the wire through the NI 9939 opening, remove slack from the wiring, and secure wires using the Cable Retainer (6) and tighten the Screws (7).
3. Install the Backshell Top Enclosure (1) to the Backshell Bottom Enclosure (3).
4. Place the Label (5) in the Label Carrier (4) and attach onto the backshell.


High-Vibration Application Connections


If your application is subject to high vibration, NI recommends that you follow these guidelines to protect connections to the NI 9436:

- Use ferrules to terminate wires to the detachable connector.
- Use the NI 9939 backshell kit.

Where to Go Next



 Located at ni.com/manuals

 Installs with the software

Worldwide Support and Services

The NI website is your complete resource for technical support. At ni.com/support, you have access to everything from troubleshooting and application development self-help resources to email and phone assistance from NI Application Engineers.

Visit ni.com/services for NI Factory Installation Services, repairs, extended warranty, and other services.

Visit ni.com/register to register your NI product. Product registration facilitates technical support and ensures that you receive important information updates from NI.

A Declaration of Conformity (DoC) is our claim of compliance with the Council of the European Communities using the manufacturer's declaration of conformity. This system affords the user protection for electromagnetic compatibility (EMC) and product safety. You can obtain the DoC for your product by visiting ni.com/certification. If your product supports calibration, you can obtain the calibration certificate for your product at ni.com/calibration.

NI corporate headquarters is located at 11500 North Mopac Expressway, Austin, Texas, 78759-3504. NI also has offices located around the world. For telephone support in the United States, create your service request at ni.com/support or dial 1 866 ASK MYNI (275 6964). For telephone support outside the United States, visit the *Worldwide Offices* section of ni.com/niglobal to access the branch office websites, which provide up-to-date contact information, support phone numbers, email addresses, and current events.

Refer to the *NI Trademarks and Logo Guidelines* at ni.com/trademarks for information on NI trademarks. Other product and company names mentioned herein are trademarks or trade names of their respective companies. For patents covering NI products/technology, refer to the appropriate location: **Help»Patents** in your software, the `patents.txt` file on your media, or the *National Instruments Patent Notice* at ni.com/patents. You can find information about end-user license agreements (EULAs) and third-party legal notices in the readme file for your NI product. Refer to the *Export Compliance Information* at ni.com/legal/export-compliance for the NI global trade compliance policy and how to obtain relevant HTS codes, ECCNs, and other import/export data. NI MAKES NO EXPRESS OR IMPLIED WARRANTIES AS TO THE ACCURACY OF THE INFORMATION CONTAINED HEREIN AND SHALL NOT BE LIABLE FOR ANY ERRORS. U.S. Government Customers: The data contained in this manual was developed at private expense and is subject to the applicable limited rights and restricted data rights as set forth in FAR 52.227-14, DFAR 252.227-7014, and DFAR 252.227-7015.

© 2016 National Instruments. All rights reserved.