

COMPREHENSIVE SERVICES

We offer competitive repair and calibration services, as well as easily accessible documentation and free downloadable resources.

SELL YOUR SURPLUS

We buy new, used, decommissioned, and surplus parts from every NI series. We work out the best solution to suit your individual needs.

 Sell For Cash  Get Credit  Receive a Trade-In Deal

OBSOLETE NI HARDWARE IN STOCK & READY TO SHIP

We stock **New**, **New Surplus**, **Refurbished**, and **Reconditioned** NI Hardware.



Bridging the gap between the manufacturer and your legacy test system.

 1-800-915-6216

 www.apexwaves.com

 sales@apexwaves.com

All trademarks, brands, and brand names are the property of their respective owners.

Request a Quote

 **CLICK HERE**

PCI-7314

Motion Control

7324/7314 Hardware User Manual

Worldwide Technical Support and Product Information

www.natinst.com

National Instruments Corporate Headquarters

11500 North Mopac Expressway Austin, Texas 78759-3504 USA Tel: 512 794 0100

Worldwide Offices

Australia 03 9879 5166, Austria 0662 45 79 90 0, Belgium 02 757 00 20, Brazil 011 284 5011,
Canada (Ontario) 905 785 0085, Canada (Québec) 514 694 8521, China 0755 3904939, Denmark 45 76 26 00,
Finland 09 725 725 11, France 01 48 14 24 24, Germany 089 741 31 30, Hong Kong 2645 3186,
India 91805275406, Israel 03 6120092, Italy 02 413091, Japan 03 5472 2970, Korea 02 596 7456,
Mexico (D.F.) 5 280 7625, Mexico (Monterrey) 8 357 7695, Netherlands 0348 433466, Norway 32 27 73 00,
Singapore 2265886, Spain (Madrid) 91 640 0085, Spain (Barcelona) 93 582 0251, Sweden 08 587 895 00,
Switzerland 056 200 51 51, Taiwan 02 2377 1200, United Kingdom 01635 523545

For further support information, see the *Technical Support Resources* appendix. To comment on the documentation, send e-mail to techpubs@natinst.com.

© Copyright 1999 National Instruments Corporation. All rights reserved.

Important Information

Warranty

The 7324/7314 stepper motion control boards are warranted against defects in materials and workmanship for a period of one year from the date of shipment, as evidenced by receipts or other documentation. National Instruments will, at its option, repair or replace equipment that proves to be defective during the warranty period. This warranty includes parts and labor.

The media on which you receive National Instruments software are warranted not to fail to execute programming instructions, due to defects in materials and workmanship, for a period of 90 days from date of shipment, as evidenced by receipts or other documentation. National Instruments will, at its option, repair or replace software media that do not execute programming instructions if National Instruments receives notice of such defects during the warranty period. National Instruments does not warrant that the operation of the software shall be uninterrupted or error free.

A Return Material Authorization (RMA) number must be obtained from the factory and clearly marked on the outside of the package before any equipment will be accepted for warranty work. National Instruments will pay the shipping costs of returning to the owner parts which are covered by warranty.

National Instruments believes that the information in this document is accurate. The document has been carefully reviewed for technical accuracy. In the event that technical or typographical errors exist, National Instruments reserves the right to make changes to subsequent editions of this document without prior notice to holders of this edition. The reader should consult National Instruments if errors are suspected. In no event shall National Instruments be liable for any damages arising out of or related to this document or the information contained in it.

EXCEPT AS SPECIFIED HEREIN, NATIONAL INSTRUMENTS MAKES NO WARRANTIES, EXPRESS OR IMPLIED, AND SPECIFICALLY DISCLAIMS ANY WARRANTY OF MERCHANTABILITY OR FITNESS FOR A PARTICULAR PURPOSE. CUSTOMER'S RIGHT TO RECOVER DAMAGES CAUSED BY FAULT OR NEGLIGENCE ON THE PART OF NATIONAL INSTRUMENTS SHALL BE LIMITED TO THE AMOUNT THEREFORE PAID BY THE CUSTOMER. NATIONAL INSTRUMENTS WILL NOT BE LIABLE FOR DAMAGES RESULTING FROM LOSS OF DATA, PROFITS, USE OF PRODUCTS, OR INCIDENTAL OR CONSEQUENTIAL DAMAGES, EVEN IF ADVISED OF THE POSSIBILITY THEREOF. This limitation of the liability of National Instruments will apply regardless of the form of action, whether in contract or tort, including negligence. Any action against National Instruments must be brought within one year after the cause of action accrues. National Instruments shall not be liable for any delay in performance due to causes beyond its reasonable control. The warranty provided herein does not cover damages, defects, malfunctions, or service failures caused by owner's failure to follow the National Instruments installation, operation, or maintenance instructions; owner's modification of the product; owner's abuse, misuse, or negligent acts; and power failure or surges, fire, flood, accident, actions of third parties, or other events outside reasonable control.

Copyright

Under the copyright laws, this publication may not be reproduced or transmitted in any form, electronic or mechanical, including photocopying, recording, storing in an information retrieval system, or translating, in whole or in part, without the prior written consent of National Instruments Corporation.

Trademarks

BridgeVIEW™, CVI™, LabVIEW™, natinst.com™, and ValueMotion™ are trademarks of National Instruments Corporation.

Product and company names mentioned herein are trademarks or trade names of their respective companies.

WARNING REGARDING MEDICAL AND CLINICAL USE OF NATIONAL INSTRUMENTS PRODUCTS

National Instruments products are not designed with components and testing for a level of reliability suitable for use in or in connection with surgical implants or as critical components in any life support systems whose failure to perform can reasonably be expected to cause significant injury to a human. Applications of National Instruments products involving medical or clinical treatment can create a potential for death or bodily injury caused by product failure, or by errors on the part of the user or application designer. Because each end-user system is customized and differs from National Instruments testing platforms and because a user or application designer may use National Instruments products in combination with other products in a manner not evaluated or contemplated by National Instruments, the user or application designer is ultimately responsible for verifying and validating the suitability of National Instruments products whenever National Instruments products are incorporated in a system or application, including, without limitation, the appropriate design, process and safety level of such system or application.

Contents

About This Manual

Conventions	ix
Related Documentation.....	x

Chapter 1

Introduction

About the 7324/7314 Controllers	1-1
What You Need to Get Started	1-1
Software Programming Choices	1-2
National Instruments Application Software	1-2
Optional Equipment	1-3
Motion Signal and Motion I/O Connections.....	1-3

Chapter 2

Configuration and Installation

Software Installation	2-1
Controller Configuration.....	2-1
Hardware Installation.....	2-1

Chapter 3

Hardware Overview

Functional Modes	3-2
Trapezoidal Profile Position Control.....	3-2
Velocity Control	3-3
Velocity Profiling	3-3
Event-Based Motion Profiling.....	3-3
Trajectory Parameters	3-4
Position Value Loading	3-4
Velocity Value Loading	3-4
Acceleration Value Loading.....	3-5

Chapter 4 Signal Connections

Motion I/O Connector	4-2
External Connector Wiring Recommendations	4-3
Bus Power Signal	4-4
Trigger, Breakpoint, and Inhibit Signals.....	4-4
Input Signals	4-4
Output Signals	4-4
Wiring Concerns.....	4-5
Jumper Configuration	4-5
I/O Port Hardware Circuit	4-6
Limit and Home Switches.....	4-7
Wiring Concerns.....	4-7
Limit and Home Switch Input Circuit	4-8
Encoder Connections (7324 Controllers Only).....	4-8
Wiring Concerns.....	4-9
Encoder Signals	4-9
Encoder Index Signal.....	4-9
Encoder Signal Input Circuit	4-10
Digital I/O Connector	4-10
ADC Inputs.....	4-15

Appendix A Specifications

Appendix B Cable Connector Descriptions

Appendix C Technical Support Resources

Glossary

Index

Figures

Figure 3-1.	PCI Controller Parts Locator Diagram.....	3-1
Figure 3-2.	PXI Controller Parts Locator Diagram.....	3-2
Figure 4-1.	68-Pin Stepper Pin Assignment.....	4-2
Figure 4-2.	Trigger and Breakpoint Hardware Circuitry	4-6
Figure 4-3.	Inhibit Hardware Circuitry	4-6
Figure 4-4.	Limit Switch and Home Switch Input Hardware Circuitry.....	4-8
Figure 4-5.	Quadrature Encoder Phasing Diagram	4-8
Figure 4-6.	Encoder Feedback Input Hardware Circuitry.....	4-10
Figure 4-7.	68-Pin Digital I/O Connector	4-11
Figure 4-8.	50-Pin Digital I/O Connector	4-12
Figure 4-9.	Digital I/O Port Configuration	4-13
Figure 4-10.	PCI- and PXI-Step Port C Direction Setting	4-14
Figure 4-11.	External Pin Assignment for the 10-Pin ADC Connector.....	4-15
Figure B-1.	50-Pin Stepper Connector Pin Assignment	B-1

Tables

Table 4-1.	Signal Descriptions for I/O Connector Pins.....	4-3
Table 4-2.	Jumper Pin I/O Port Bit Correspondence	4-5

About This Manual

This manual describes the electrical and mechanical aspects of each controller in the ValueMotion 7324/7314 family of controllers and contains information concerning their operation and programming. Unless otherwise noted, text applies to all controllers in the ValueMotion 7324/7314 family.

The 7324/7314 family includes the following motion controllers:

- ◆ Stepper (Open-Loop)
 - PCI-7314
 - PXI-7314
- ◆ Stepper (Closed-Loop)
 - PCI-7324
 - PXI-7324

The 7324/7314 stepper controllers are low-cost, high-performance controllers for PCI and PXI bus computers.

Conventions

The following conventions appear in this manual:

<>

Angle brackets that contain numbers separated by an ellipsis represent a range of values associated with a bit or signal name—for example, DBIO<3..0>.

◆

The ◆ symbol indicates that the following text applies only to a specific product, a specific operating system, or a specific software version.



This icon denotes a note, which alerts you to important information.



This icon denotes a caution, which advises you of precautions to take to avoid injury, data loss, or a system crash.

bold

Bold text denotes items that you must select or click on in the software, such as menu items and dialog box options. Bold text also denotes parameter names.

<i>italic</i>	Italic text denotes variables, emphasis, a cross reference, or an introduction to a key concept. This font also denotes text that is a placeholder for a word or value that you must supply.
<u>overline</u>	Indicates a signal is active-low.
7324 controller	Refers to the ValueMotion PCI-7324 and the PXI-7324 closed-loop stepper controllers.
7314 controller	Refers to the ValueMotion PCI-7314 and the PXI-7314 open-loop stepper controllers.
7324/7314 controller	Refers to the ValueMotion PCI-7314, PXI-7314, PCI-7324, and PXI-7324 stepper controllers.
PCI controller	Refers to the PCI-7324 and the PCI-7314 controllers.
PXI controller	Refers to the PXI-7324 and the PXI-7314 controllers.

Related Documentation

The following documents contain information that you might find helpful as you read this manual:

- *ValueMotion Software Reference Manual*
- *ValueMotion VI Online Help*
- *PCI Local Bus Specification, Revision 2.1*
- Your computer's technical reference manual

Introduction

This chapter describes the ValueMotion 7324/7314 controllers and their operation.

About the 7324/7314 Controllers

Thank you for purchasing a National Instruments 7324/7314 motion controller. The 7324/7314 controllers are stepper motor controllers for PCI and PXI bus computers. These controllers provide fully programmable motion control for up to four independent axes of motors, with additional I/O for limit and home switches as well as other general-purpose functions. You can use these controllers in position or velocity control applications, with support for point-to-point position, velocity profiling, and event-based motion profiling modes.

The 7324 closed-loop controllers control stepper motors and can operate in open or closed-loop mode. They use quadrature encoders for position and velocity feedback, and clockwise (CW)/counter-clockwise (CCW) or step/direction digital outputs for command. The 7314 open-loop stepper controllers do not include the quadrature decoders and can operate only in open-loop mode. All controllers support full, half, and microstepping applications.

What You Need to Get Started

To set up and use your 7324/7314 controller, you will need the following:

- One of the 7324/7314 controllers
- 7324/7314 Hardware User Manual*
- One of the following software packages and documentation:
 - BridgeVIEW—LabVIEW for Industrial Automation
 - LabVIEW
 - LabWindows/CVI
 - ValueMotion Software (includes pcRunner)
- Your computer with an available PCI or PXI slot, as appropriate

Software Programming Choices

You have several options to choose from when programming your National Instruments 7324/7314 controllers. You can use National Instruments application software, ValueMotion VIs for LabVIEW and BridgeVIEW, or ValueMotion software.

Programming the 7324/7314 controller is straightforward using a simple but powerful high-level function set application programming interface (API). All setup and motion control functions are easily executed by calling into either a static or dynamically linked library (DLL). These libraries are callable from C, Visual Basic, and other high-level languages. Full function set implementations are available for LabVIEW, LabWindows/CVI, BridgeVIEW, and other industry-standard software programs.

National Instruments Application Software

LabVIEW and BridgeVIEW, based on the graphical programming language G, feature interactive graphics and a state-of-the-art user interface. In LabVIEW and BridgeVIEW, you can create 32-bit compiled programs and stand-alone executables for custom data acquisition, test, and measurement solutions. National Instruments offers the ValueMotion VI Library, a series of virtual instruments (VIs) for using LabVIEW or BridgeVIEW with National Instruments motion control hardware. This VI library implements the full function set API and a powerful set of demo functions, example programs, and fully operational, high-level application routines.

ANSI C-based LabWindows/CVI also features interactive graphics and a state-of-the-art user interface. Using LabWindows/CVI, you can generate C code for custom data acquisition, test, and measurement solutions. The ValueMotion software kit includes a series of functions for using LabWindows/CVI with National Instruments motion controllers.

Optional Equipment

National Instruments offers a variety of products to use with 7324/7314 controllers, including cables, connector blocks, Universal Motion Interfaces (UMIs), driver amplifier units, and other accessories, as follows:

- Cables and cable assemblies
- Connector blocks, shielded and unshielded 68-pin screw terminals
- UMI connectivity blocks with integrated motion signal conditioning and motion inhibit functionality
- Stepper motor compatible driver amplifier units with integrated power supply and wiring connectivity

For more specific information about these products, refer to your National Instruments catalogue, the motion control product brochure, or call the office nearest you.

Motion Signal and Motion I/O Connections

You access the motion I/O signals through an external 68-position connector on the 7324/7314. The PCI controllers use a high-density 68-pin female VHDCI connector. The PXI controllers use a 68-pin male SCSI-II type connector.

The 24-bit digital I/O port on the PCI controllers is accessed through an external high-density 68-pin female VHDCI connector. The digital port on the PXI controllers is accessed through an internal 50-pin male box-header connector.

The analog input signals on the PXI controllers are also available on an internal 10-pin male box-header connector.

You can use any compatible mating connector, including insulation displacement ribbon cable connectors and discrete wire mating connectors.

Configuration and Installation

This chapter describes how to configure and install your 7324/7314 controller.

Software Installation

Install your ValueMotion driver and pcRunner software, along with the VI libraries (if appropriate) before you install the 7324/7314 controller. Refer to the appropriate release notes and your software documentation for specific instructions on the software installation sequence.

Controller Configuration

There are two types of configuration to be performed on the controllers: bus-related and motion I/O-related configuration.

Both the PCI and PXI controllers are fully compatible with the *PCI Local Bus Specification, Revision 2.1*. This compatibility allows the computer to automatically perform all bus-related configuration and requires no user interaction. There are no jumpers to configure for bus-related configuration.

The motion I/O-related configuration includes such settings as limit switch polarity, I/O port direction, motion mechanical system properties, and others. Most of these settings are software configurable, while some require hardware jumpers to be configured properly. Refer to Chapter 4, *Signal Connections*, for motion I/O-related hardware jumper settings.

Hardware Installation

You can install the 7324/7314 controller in any open +5 V PCI or PXI expansion slot in your computer. The following are general installation instructions, but consult your computer user manual or technical reference manual for specific instructions and warnings.

◆ PCI controllers

1. Turn off and unplug your computer.
2. Remove the top cover or access port to the I/O channel.
3. Remove the expansion slot cover on the back panel of the computer.
4. Insert the 7324/7314 controller into a 5 V PCI slot as appropriate. Gently rock the controller to ease it into place. It may be a tight fit, but *do not force* the controller into place.
5. If required, screw the mounting bracket of the 7324/7314 controller to the back panel rail of the computer.
6. Replace the cover.
7. Plug in and turn on your computer.

Your PCI controller is installed.

◆ PXI controllers

1. Turn off and unplug your chassis.
2. Choose an unused 5 V peripheral slot.
3. Remove the filler panel for the peripheral slot you have chosen.
4. Touch a metal part on your chassis to discharge any static electricity that might be on your clothes or body.
5. Insert the PXI controller into the slot. Use the injector/ejector handle to fully inject the device into place.
6. Screw the front panel of the PXI controller to the front panel mounting rails of the chassis.
7. Visually verify the installation.
8. Plug in and turn on the chassis.

Your PXI controller is installed.

Hardware Overview

This chapter presents an overview of the hardware functionality of your 7324/7314 controller.

Figures 3-1 and 3-2 show the PCI and PXI parts locator diagrams.

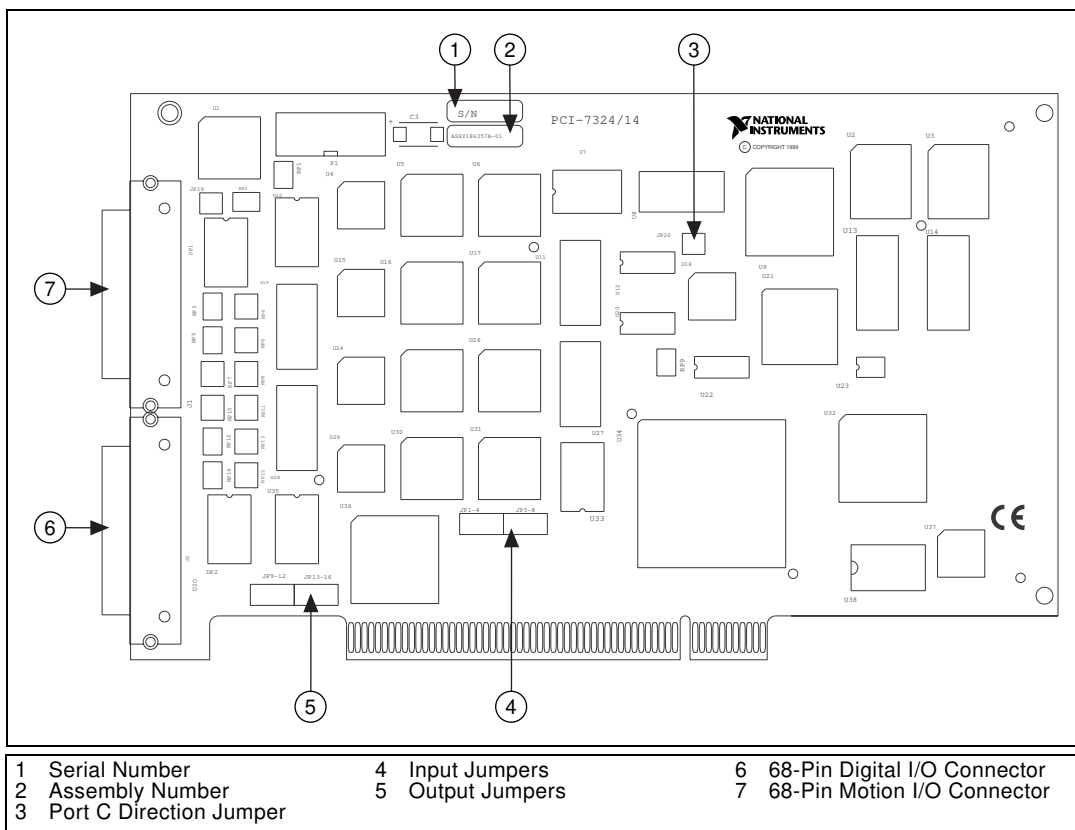


Figure 3-1. PCI Controller Parts Locator Diagram

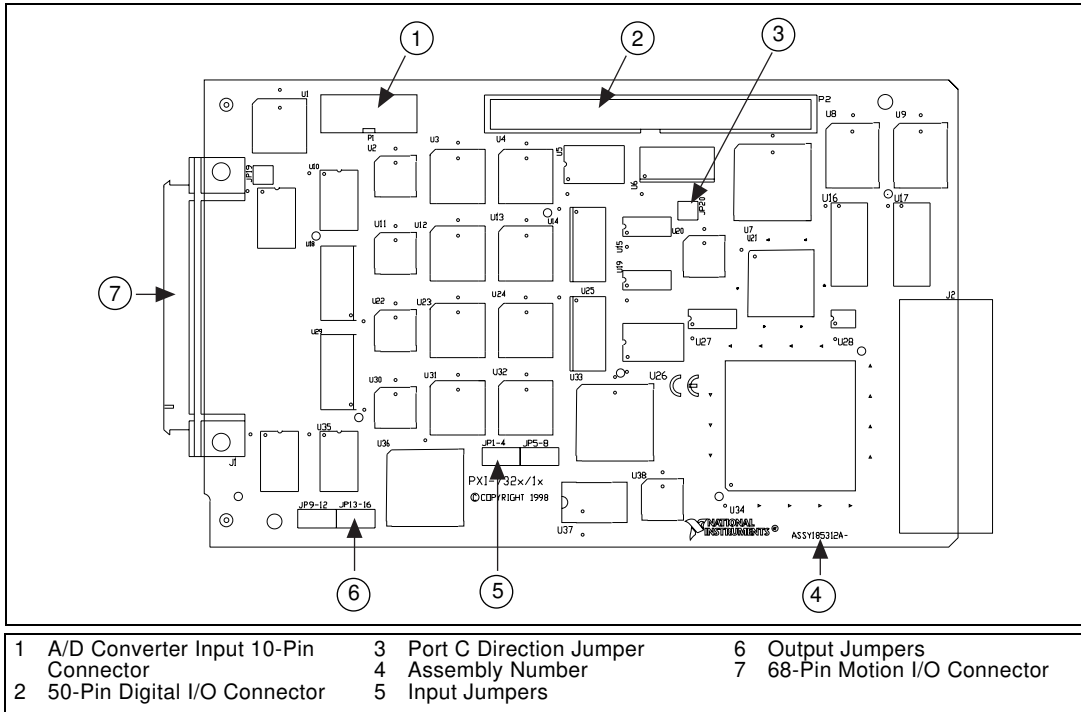


Figure 3-2. PXI Controller Parts Locator Diagram

Functional Modes

Trapezoidal Profile Position Control

The 7324/7314 controllers implement trapezoidal profile control. They provide point-to-point motion based on the difference between the current position and the desired target position using preprogrammed acceleration and velocity values. The trapezoidal motion profile is calculated based on the move duration, maximum velocity, and desired acceleration. Motion occurs first with a programmable acceleration, then for a period at a constant velocity (if possible) and finally with a preprogrammed deceleration to the desired target position. You can interrupt motion by halt-stopping via a limit or home switch input or you can execute a stop or kill function. The controllers also have a programmable acceleration factor that boosts the acceleration at low speeds to match the inherent torque versus speed characteristics of stepper motor systems.

The controllers require parameter loading in conjunction with motion trajectory function-level programming. The open-loop stepper controller parameters are expressed primarily in terms of steps, step count, and steps/second. Functions accessing closed-loop functions, which are only available on 7324 controllers, also use steps/revolution, encoder lines/revolution, and quadrature encoder counts. In pcRunner, LabVIEW, and BridgeVIEW application software you configure parameters in units including revolutions per minute (RPM) and revolutions per second per second (RPSPS).

Velocity Control

With the velocity control mode, you can continue motion at a preprogrammed velocity until a limit or home switch is encountered or until a stop or kill function is executed.

Velocity Profiling

With the velocity profiling mode, you can preprogram initial acceleration to a desired velocity that is maintained until a new velocity value is loaded. New velocity values may be loaded at any time. The system executes the most recent function and attains the new programmed velocity. Motion is continuous until a limit or home switch is encountered or until a stop or kill function is executed. This mode is useful for continuous contouring applications.



Note Stepper controllers do not use the acceleration value when changing to a new velocity, which can result in an abrupt motion for large velocity changes.

Event-Based Motion Profiling

7324/7314 controllers offer the advanced feature of event-based motion profiling. Event-based motion profiling involves preloading motion control functions into onboard memory trigger buffers. You can then execute single or multiple move sequences using digital I/O trigger events. Triggers can be external I/O events or manual trigger functions sent by the host computer under function control. You can use the event-based motion profiling mode for semi-autonomous operation or for precise coordination with external events.

Trajectory Parameters

The trajectory parameters the controllers use are expressed in terms of steps for open-loop functions or quadrature counts for closed-loop functions.

The controllers obtain closed-loop position and velocity control by using an incremental quadrature encoder for feedback. All position data is referred to in quadrature counts. You can determine quadrature counts with the following equation:

$$\text{Encoder Lines Per Index Period} \times 4$$

The encoder resolution is the number of encoder lines between consecutive encoder indexes (marker or Z-bit). If the encoder does not have an index output, the resolution is referred to as lines per revolution for rotary encoders and as lines per inch (or millimeters) for linear encoders.

Refer to the *ValueMotion Software Reference Manual* for specific information on loading trajectory parameters to your 7324/7314 controller.

Position Value Loading

For closed-loop stepper operation, position is specified in quadrature counts as a signed number. The number of quadrature counts per revolution depends upon the incremental encoder used for feedback.

For open-loop stepper operation, position is specified in step counts as a signed number. The number of step counts per revolution depends upon the type of stepper driver and motor being used. For example, a stepper motor with $1.8^\circ/\text{step}$ (200 steps/revolution) used in conjunction with a $\times 10$ microstep driver would have an effective resolution of 2,000 steps per revolution. 7324/7314 controllers support all full, half, and microstep applications.

Velocity Value Loading

Velocity is expressed as the change in position divided by time. For closed-loop stepper operation, position is specified in quadrature counts. For open-loop stepper operation, position is specified in step counts. You

can use the following formulas to convert revolutions per minute (RPM) to quadrature or step counts per second:

- Quadrature counts per second:

$$Velocity = (Velocity\ in\ RPM) \times (Encoder\ Lines) \times (4) \times (1/60)$$

- Step counts per second:

$$Velocity = (Velocity\ in\ RPM) \times (Driver\ Steps/Motor\ Step) \times (Motor\ Steps/Rev) \times (1/60)$$

To determine the driver steps/motor step, configure the stepper driver. The driver steps/motor steps ratio is 1 for full step, 1/2 for half step, and 1/n for microstep where n is the microstep value.

Acceleration Value Loading

Acceleration is expressed as the change in velocity divided by time, which is equivalent to change in position divided by time divided by time. For closed-loop stepper operation, position is specified in quadrature counts. For open-loop stepper operation, position is specified in step counts. Use the following formulas to convert revolutions per second per second (RSPSPS) to quadrature or step counts per second per second:

- Quadrature counts per second per second:

$$Acceleration = (Acceleration\ in\ RSPSPS) \times (Encoder\ Lines) \times (4)$$

- Step counts per second per second:

$$Acceleration = (Acceleration\ in\ RSPSPS) \times (Driver\ Steps/Motor\ Step) \times (Motor\ steps/Rev)$$

To determine the driver steps/motor step, configure the stepper driver. The driver steps/motor steps ratio is 1 for full step, 1/2 for half step, and 1/n for microstep where n is the microstep value.

Signal Connections

This chapter describes how to make input and output signal connections to the 7324/7314 controllers.



Note Throughout this document, a line above a signal name indicates that the signal is active-low.

Motion I/O Connector

Figure 4-1 shows the pin assignments for the 68-pin motion I/O connector on the 7324/7314 controllers.

Axis 1 Dir (CCW)	1	35	Axis 1 Step (CW)
Digital Ground	2	36	Axis 1 Encoder Phase A
Digital Ground	3	37	Axis 1 Encoder Phase B
Axis 1 Home Switch	4	38	Axis 1 Encoder Index
Trigger 1	5	39	Axis 1 Forward Limit Switch
Axis 1 Inhibit	6	40	Axis 1 Reverse Limit Switch
Axis 2 Dir (CCW)	7	41	Axis 2 Step (CW)
Digital Ground	8	42	Axis 2 Encoder Phase A
Digital Ground	9	43	Axis 2 Encoder Phase B
Axis 2 Home Switch	10	44	Axis 2 Encoder Index
Trigger 2	11	45	Axis 2 Forward Limit Switch
Axis 2 Inhibit	12	46	Axis 2 Reverse Limit Switch
Axis 3 Dir (CCW)	13	47	Axis 3 Step (CW)
Digital Ground	14	48	Axis 3 Encoder Phase A
Digital Ground	15	49	Axis 3 Encoder Phase B
Axis 3 Home Switch	16	50	Axis 3 Encoder Index
Trigger 3	17	51	Axis 3 Forward Limit Switch
Axis 3 Inhibit	18	52	Axis 3 Reverse Limit Switch
Axis 4 Dir (CCW)	19	53	Axis 4 Step (CW)
Digital Ground	20	54	Axis 4 Encoder Phase A
Digital Ground	21	55	Axis 4 Encoder Phase B
Axis 4 Home Switch	22	56	Axis 4 Encoder Index
Trigger 4	23	57	Axis 4 Forward Limit Switch
Axis 4 Inhibit	24	58	Axis 4 Reverse Limit Switch
Digital Ground	25	59	Host +5 V
Breakpoint 1	26	60	Breakpoint 2
Breakpoint 3	27	61	Breakpoint 4
Reserved	28	62	Reserved
Reserved	29	63	Reserved
Reserved	30	64	Reserved
Reserved	31	65	Reserved
Analog Input 1 ¹	32	66	Analog Input 2 ¹
Analog Input 3 ¹	33	67	Analog Input 4 ¹
Analog Reference (Output) ¹	34	68	Analog Input Ground ¹

¹Not connected on 7314 controllers

Figure 4-1. 68-Pin Stepper Pin Assignment

Table 4-1 describes the signals on the I/O connectors.

Table 4-1. Signal Descriptions for I/O Connector Pins

Signal Name	Reference	Direction	Description
Axis <1..4> Dir (CCW)	Digital Ground	Output	Motor direction or counter-clockwise control
Axis <1..4> Step (CW)	Digital Ground	Output	Motor step or clockwise control
Axis <1..4> Encoder Phase A	Digital Ground	Input	Closed-loop only—phase A encoder input
Axis <1..4> Encoder Phase B	Digital Ground	Input	Closed-loop only—phase B encoder input
Axis <1..4> Encoder $\overline{\text{Index}}$	Digital Ground	Input	Closed-loop only—index encoder input
Axis <1..4> Home Switch	Digital Ground	Input	Home switch
Axis <1..4> Forward Limit Switch	Digital Ground	Input	Forward/clockwise limit switch
Axis <1..4> Reverse Limit Switch	Digital Ground	Input	Reverse/counter-clockwise limit switch
Axis <1..4> $\overline{\text{Inhibit}}$	Digital Ground	Output	Drive inhibit
Trigger <1..4>	Digital Ground	Input	Input bit <1..4>
Breakpoint <1..4>	Digital Ground	Output	Output bit <1..4>
Host +5 V	Digital Ground	Output	+5 V— host bus interlock
Analog Input Ground	—	—	Reference for analog inputs
Analog Input <1..4>	Analog Input Ground	Input	8-bit analog input
Analog Reference (output)	Analog Input Ground	Output	+5 V—analog reference level
Digital Ground	—	—	Reference for digital I/O

External Connector Wiring Recommendations

The external connectors are divided into five separate sections for the purpose of wiring descriptions. Four of the sections are identical in pinout, format, and connector configuration. Each of these four identical sections corresponds to an individual axis controller circuit. The fifth section is the bus power interlock section.

Each per-axis motion I/O connector subsection consists of four functional areas:

- Motor drive outputs
- Encoder feedback inputs
- Limit and home switch inputs
- Related motion I/O port bits



Caution You must wire these four function groups separately from each other to prevent noise or signal crosstalk from affecting adjacent signal groups. Failure to take these simple precautions may cause faulty operation.

It is important to note that the 7324/7314 I/O connector provides numerous ground connections. Proper use of these ground connections will help to prevent unwanted signal disturbance and noise. Use these ground connections as ground current return paths or as shield connections for proper signal grounding.

Bus Power Signal

The bus power +5 V signal is available for bus monitoring and interlock purposes. It is not intended to power external circuitry or components. Current draw should not exceed 100 mA.

Trigger, Breakpoint, and Inhibit Signals

The following sections describe hardware jumper selection and the specifications for trigger, breakpoint, and inhibit signal interconnection. For correct operation, you must execute motion system setup, including I/O port software initialization, using the ValueMotion functions before you can use the trigger, breakpoint, and inhibit signals.

The controllers create the trigger, breakpoint, and inhibit signals from a single 8-bit bidirectional port. I/O port bits <1..4> are used for the trigger and breakpoint signals. When configured as an input, the I/O port bit can be used as a trigger or general-purpose input. When configured as an output, the I/O port bit can be used as either a breakpoint or general-purpose output. I/O port bits <5..8> are used for the inhibit signals. When configured as an output, the I/O port bit is the axis inhibit output. When configured as an input, the I/O port bit is a general-purpose input.

Input Signals

Input signals to the I/O port may be active-high or active-low. Proper operation depends upon correct setup and programming of I/O polarity and direction. Improper setup and programming may cause faulty operation.

Output Signals

I/O port signals configured as outputs are single-ended TTL with internally pulled-up open-collector buffers. Pull-up resistors are 3.3 k Ω to +5 V. These buffers can sink 64 mA.



Note The PXI controllers do not include a pull-up resistor on the breakpoint outputs. You must connect external pull-up resistors for proper operation of the breakpoint outputs when interfacing to TTL inputs that do not include built-in pull-up resistors.

Wiring Concerns



Caution Keep I/O port signals and I/O port grounds wired separately from the motor drive signals. Wiring these signals near each other can cause faulty operation. Be sure to use adequate ground signal connections in conjunction with I/O port bit signal connections.

Jumper Configuration

Two hardware jumper locations are available for each I/O port bit on the 7324/7314 controller. One of these locations is for input signal configuration and the other is for output signal configuration. The jumpers are used in conjunction with I/O port configuration and polarity programming to properly set up the I/O port function. The jumpers must be properly installed and must correspond to the direction programmed to ensure correct operation of the I/O port bits.

Table 4-2 shows the I/O port bit assignments and the corresponding hardware jumpers.

Table 4-2. Jumper Pin I/O Port Bit Correspondence

I/O Port Bit Number	Input Jumper Number	Output Jumper Number
1	JP1	JP9
2	JP2	JP10
3	JP3	JP11
4	JP4	JP12
5	JP5	JP13
6	JP6	JP14
7	JP7	JP15
8	JP8	JP16



Caution Never install both input and output jumpers for the same I/O port bit locations; for example, 1 and 9, 2 and 10, 3 and 11, and so on.

The 7324/7314 controllers have eight removable jumpers, located on input pins JP1 through JP4 and output pins JP13 through JP16 by default. Refer to Figures 3-1 and 3-2 in Chapter 3, *Hardware Overview*, for input/output jumper locations.

I/O Port Hardware Circuit

Figures 4-2 and 4-3 show simplified schematic diagrams of the hardware circuitry used by the I/O ports for input signal buffering and output signal drive, as well as the jumper locations.

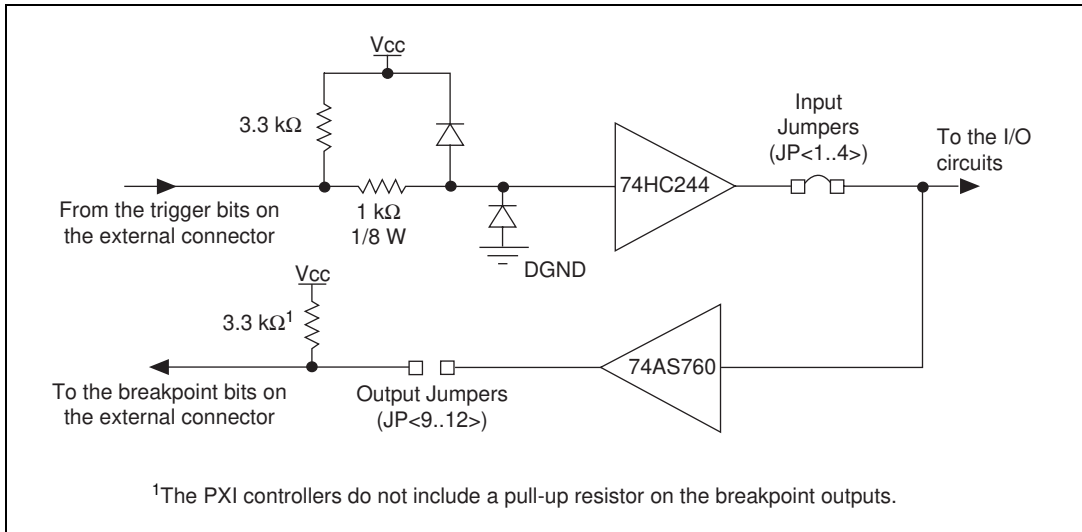


Figure 4-2. Trigger and Breakpoint Hardware Circuitry

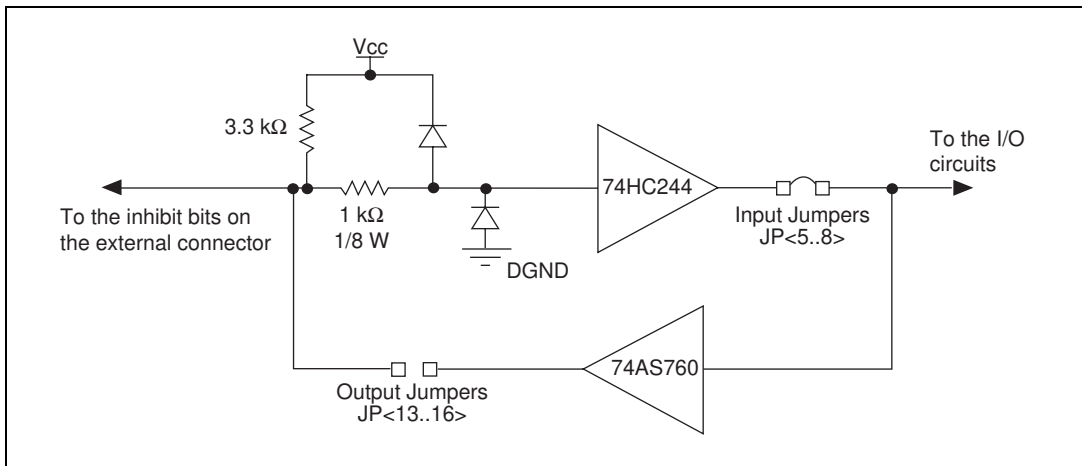


Figure 4-3. Inhibit Hardware Circuitry

The 7324/7314 controller protects input signals from over-voltage and misconnection of the I/O port bits. However, you must take care when making these and any other hardware wiring connections. 12 V input signals can be interfaced directly, but higher voltages should be avoided. With the 3.3 k Ω pull-up resistor, you can directly interface to open-collector signals.



Caution Excessive input voltages may cause component failure.

Limit and Home Switches

Limit and home switch inputs can be software configured as active-high or active-low enabled single-ended signals. Limit and home switch inputs may be enabled and disabled through software. Unused limit inputs may be directly used as nondedicated, general-purpose digital input channels.

An active input signal on an enabled limit or home switch input causes motion to immediately decelerate or halt stop on the corresponding axis. Limit and home switch input signals perform special motion control functions during the Find Home function.



Note While limit switch transitions are edge-detected and stop motion, active inputs should remain active to prevent motion from proceeding further into the limit or in the limit direction. Pulsed signals cause motion to stop, but they do not prevent further motion profiles that are restarted beyond an active limit position.

Limit switch inputs are a per-axis, system-level enhancement on the 7324/7314 controllers and are not required for basic motion control. These inputs are part of a system solution for complete motion control. All motion control functions can be operated without limit switches except the Find Home function, which requires enabled limit inputs for operations.

Wiring Concerns



Caution Keep limit and home switch signals and their ground connections wired separately from the motor driver/amplifier signal connections. Wiring these signals near each other can cause faulty operation.

Limit and Home Switch Input Circuit

Figure 4-4 shows a simplified schematic diagram of the circuit configuration used by the limit and home switch inputs for input signal buffering and detection.

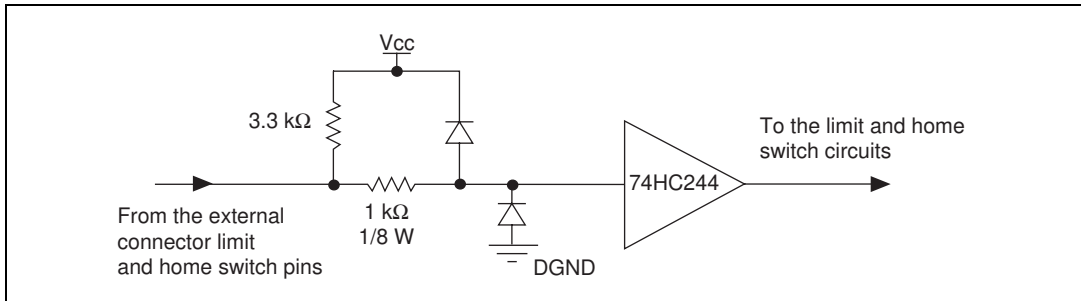


Figure 4-4. Limit Switch and Home Switch Input Hardware Circuitry

The 7324/7314 controller provides protection for over-voltage inputs on the limit and home switch input signal. However, take care when making these and any other hardware wiring connections. 12 V input signals can be interfaced directly, but higher voltages must be avoided. The 3.3 kΩ pull-up resistor allows you to interface to open-collector signals.



Caution Excessive input voltages can cause erroneous operation and/or component failure.

Encoder Connections (7324 Controllers Only)

Encoder signal inputs are single-ended TTL signals. Take care to observe the phasing of the Phase A and Phase B encoder quadrature signals to ensure that the direction of motor motion and encoder feedback signals are coincident and correctly related. For more information, see Figure 4-5.

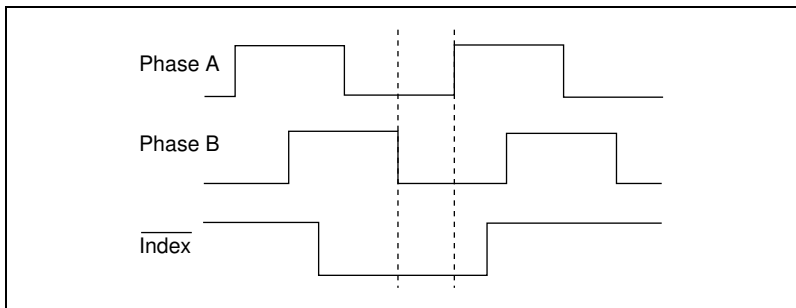


Figure 4-5. Quadrature Encoder Phasing Diagram

Wiring Concerns

The encoder inputs are connected to quadrature decoder/counter circuits. You must minimize noise at this interface. Excessive noise on these input signals may result in loss of counts or extra counts and erroneous closed-loop motion operation. Verify the encoder connections before powering up the system.



Caution Wire encoder signals and their ground connections separately from the motor driver signal connections. Wiring these signals near each other causes mispositioning and faulty operation.

Encoder Signals

7324 controllers expect quadrature encoder input feedback signals 90° out of phase from each other. Any deviation from this signal type, or excessive noise on the encoder signals, causes faulty operation and lost quadrature counts.



Note Determine quadrature counts by multiplying the encoder resolution in encoder lines by 4. The encoder resolution is the number of encoder lines between consecutive encoder indexes (marker or Z-bit). If the encoder does not have an index output, the resolution would be referred to as lines per revolution, or lines per unit of measure (in., cm, mm, and so on).

Encoder Index Signal

You can use the 7324 controllers with an active-low index (marker or Z-bit) input. This signal must be single-ended, TTL compatible, and properly phased in both polarity and sequence with respect to the Phase A and Phase B input signals. See Figure 4-5 for more information about the quadrature encoder phasing. The index state is defined when all three signals, Phase A, Phase B, and $\overline{\text{Index}}$, are low. To avoid redundancy, the $\overline{\text{Index}}$ signal must be less than 360° of a full quadrature period. Improper $\overline{\text{Index}}$ signal connection and configuration may cause faulty operation during the Find Index function. If this function is not working properly, check the encoder index signal connection, polarity, and sequence.

Encoder Signal Input Circuit

Figure 4-6 shows a simplified schematic diagram of the hardware circuit used by the encoder inputs for input signal buffering.

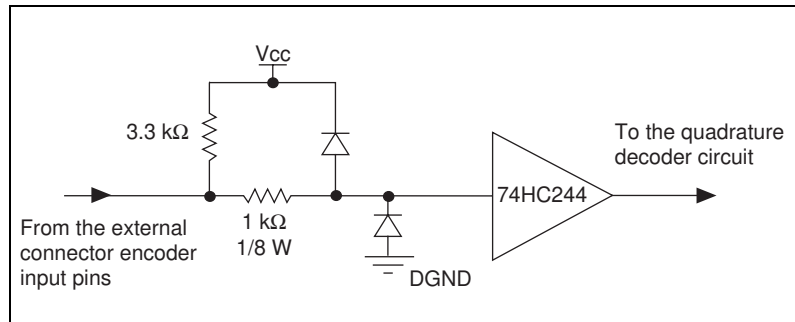


Figure 4-6. Encoder Feedback Input Hardware Circuitry

The 7324 controller provides protection for over-voltage inputs and misconnection of the Encoder Input signals. However, take care when making these and any other hardware wiring connections. The 3.3 kΩ pull-up resistor allows you to connect to open-collector signals.



Caution Excessive input voltages can cause component failure.

Digital I/O Connector

You can program the digital I/O port for general-purpose digital I/O functionality. The 24-bit digital I/O port is configured in hardware as three 8-bit digital I/O ports. The three byte wide 8-bit ports are referred to as ports A, B, and C. The auxiliary 24-bit digital I/O on the PCI controllers is accessed from a 68-pin connector as shown in Figure 4-7. The digital I/O on the PXI controllers is accessed from a 50-pin connector as shown in Figure 4-8.

+5 V	1	35	Digital Ground
Reserved	2	36	Digital Ground
Reserved	3	37	Digital Ground
Reserved	4	38	Reserved
Reserved	5	39	Digital Ground
Reserved	6	40	Reserved
Reserved	7	41	Digital Ground
Reserved	8	42	Digital Ground
Reserved	9	43	Digital Ground
Digital I/O 1	10	44	Digital I/O 2
Digital Ground	11	45	Digital I/O 3
Digital I/O 4	12	46	Digital Ground
Digital I/O 5	13	47	Digital I/O 6
Digital Ground	14	48	Digital I/O 7
Digital I/O 8	15	49	Digital Ground
Digital I/O 9	16	50	Digital Ground
Digital I/O 10	17	51	Digital I/O 11
Digital Ground	18	52	Digital I/O 12
Digital Ground	19	53	Digital I/O 13
Digital Ground	20	54	Digital I/O 14
Digital I/O 15	21	55	Digital Ground
Digital I/O 16	22	56	Digital Ground
Digital I/O 17	23	57	Digital I/O 18
Digital Ground	24	58	Digital I/O 19
Digital I/O 20	25	59	Digital Ground
Digital I/O 21	26	60	Digital I/O 22
Digital Ground	27	61	Digital I/O 23
Digital I/O 24	28	62	Digital Ground
Reserved	29	63	Reserved
Digital Ground	30	64	Reserved
Reserved	31	65	Digital Ground
Reserved	32	66	Reserved
Digital Ground	33	67	Reserved
Reserved	34	68	Digital Ground

Figure 4-7. 68-Pin Digital I/O Connector

Digital I/O 24	1	2	Digital Ground
Digital I/O 23	3	4	Digital Ground
Digital I/O 22	5	6	Digital Ground
Digital I/O 21	7	8	Digital Ground
Digital I/O 20	9	10	Digital Ground
Digital I/O 19	11	12	Digital Ground
Digital I/O 18	13	14	Digital Ground
Digital I/O 17	15	16	Digital Ground
Digital I/O 16	17	18	Digital Ground
Digital I/O 15	19	20	Digital Ground
Digital I/O 14	21	22	Digital Ground
Digital I/O 13	23	24	Digital Ground
Digital I/O 12	25	26	Digital Ground
Digital I/O 11	27	28	Digital Ground
Digital I/O 10	29	30	Digital Ground
Digital I/O 9	31	32	Digital Ground
Digital I/O 8	33	34	Digital Ground
Digital I/O 7	35	36	Digital Ground
Digital I/O 6	37	38	Digital Ground
Digital I/O 5	39	40	Digital Ground
Digital I/O 4	41	42	Digital Ground
Digital I/O 3	43	44	Digital Ground
Digital I/O 2	45	46	Digital Ground
Digital I/O 1	47	48	Digital Ground
+5 V	49	50	Digital Ground

Figure 4-8. 50-Pin Digital I/O Connector

Port A consists of digital I/O bits 1 through 8 available on the digital I/O connector. Always configure these bits as inputs. The data read from the Port A bits will always reflect the actual input bit levels. If Port A is configured for output bits, writing output data to Port A does nothing. For more information, see Figure 4-9.

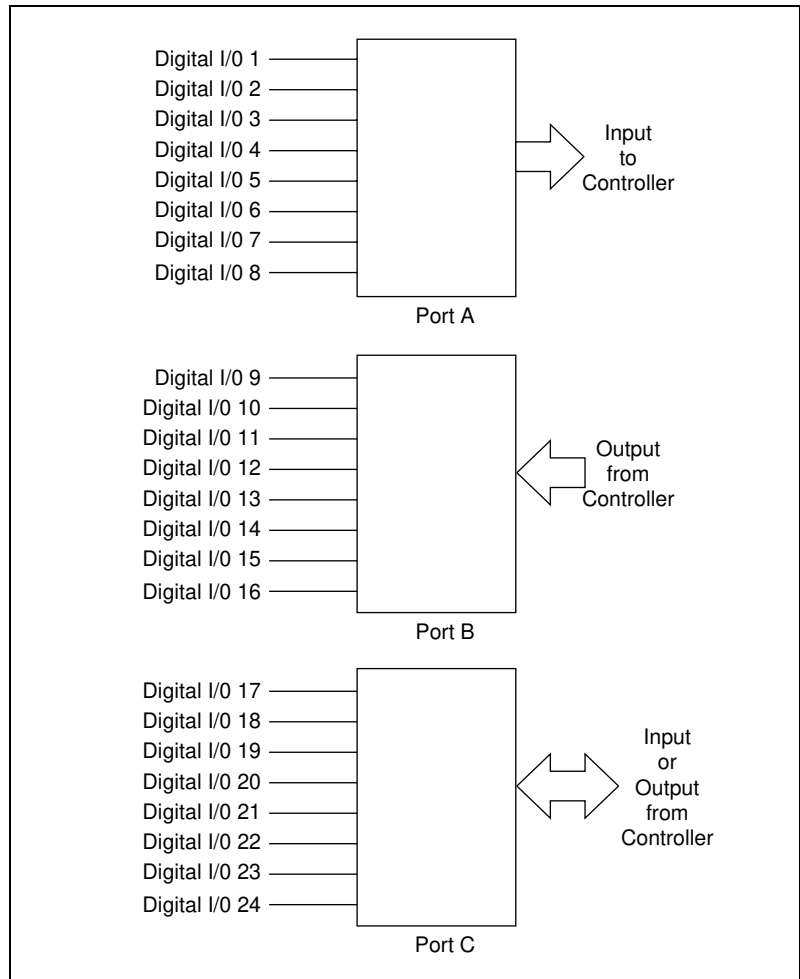


Figure 4-9. Digital I/O Port Configuration

Port B consists of digital I/O bits 9 through 16 available on the digital I/O connector. Always configure these bits as outputs. The data written to the Port B bits reflects the actual output bit levels. Port B cannot be configured for input bits. Reading input data from Port B returns the programmed output values. See Figure 4-9 for more information.

Readback of the Port B bit data can be very useful in programming these bits. By reading back the present output bit settings and then using logical binary functions, you can directly mask and set output data values for this port. If the output data is independent of the present value of output Port B,

it is also simple to write the new desired bit levels to the port directly overriding the previous values.

Port C consists of digital I/O bits 17 through 24 available on the digital I/O connector. You can configure these bits as a byte wide input or output port. You can configure Port C direction as all output bits or all input bits by using two required configuration settings.

Complete the following steps to set the Port C direction:

1. Set the jumper (item 3 in Figure 3-1, *PCI Controller Parts Locator Diagram*, for PCI, item 3 in Figure 3-2, *PXI Controller Parts Locator Diagram*, for PXI) to input or output to select the hardware direction configuration for Port C. Refer to Figure 4-10 for more information on jumper configuration.
2. Use the Set Aux. I/O Port Output function to set up the desired Port C direction of the Port C data byte. Refer to your *ValueMotion Software Reference Manual* for more information on software functions.

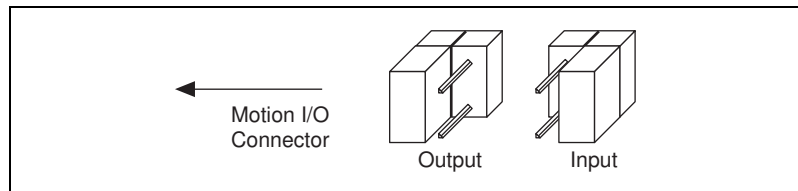


Figure 4-10. PCI- and PXI-Step Port C Direction Setting

Data can be written to the Port C bits when they are configured as output bits, and the outputs will reflect the desired output bit levels set. Reading data from Port C returns the actual data input or user-programmed output values for the bits depending on Port C direction selected.

Readback of the Port C bit data can be very useful in programming these bits. By reading back the present output bit settings and then using logical binary functions, you can directly mask and set output data values for this port. If the output data is independent of the present value of the output Port C, it is also simple to write the new desired bit levels to the port directly.

ADC Inputs

The 7324 controllers contain a multi-channel analog-to-digital converter (ADC) for basic analog input operations. Both the PCI and PXI controllers provide four analog input channels on the external 68-pin motion connector. The PXI controllers include an additional four channels, all eight of which are available on an internal 10-pin connector as shown in Figure 4-11.

Analog Input 1	1	2	Analog Input 2
Analog Input 3	3	4	Analog Input 4
Analog Input 5	5	6	Analog Input 6
Analog Input 7	7	8	Analog Input 8
Analog Reference (output)	9	10	Analog Input Ground

Figure 4-11. External Pin Assignment for the 10-Pin ADC Connector

You can configure the multi-channel ADC on the controller for simple A/D conversion or motion integrated functionality. The ADC is a 0 and 5 V range 8-bit converter. You can use the A/D input channels independently as analog inputs.

You can read back the analog voltage input digital representation on any of the controller's eight ADC channels by using the Read A/D function. The values read back will be in the following range:

$$0 \leq \text{Analog Input Number Readback Value} \leq 255$$

You can read any channel by indicating the desired channel number when using the A/D readback function.

Specifications

This appendix lists the specifications of your 7324/7314 controller. These specifications are typical at 25 °C unless otherwise noted.

Stepper Performance

Max step frequency 750,000 steps/s
Absolute position range $\pm 2^{31}$ steps
Max relative move size $\pm 2^{21}$ steps
Max encoder frequency 1 MHz

Motion Digital I/O

Input Circuits (Including Encoder Feedback, Limit Switches, and Trigger Inputs)

Input voltage range 0 to 12 V
Input low voltage 0.8 V
Input high voltage 2 V

Output Circuits (Including Step, Direction, and Breakpoint Outputs)

Output voltage range 0 to 5 V
Output low voltage < 0.6 V at 64 mA
Output high voltage 3.3 k pull-up to +5 V (open collector)
(pull-up not provided on PXI breakpoint outputs)

24-Bit Digital I/O

Input voltage range	0 to 5 V
Input low voltage	0.8 V
Input high voltage	2 V
Output voltage range	0 to 5 V
Output low voltage	< 0.5 V at 24 mA
Output high voltage	> 2.4 V at 3 mA

Analog Input (7324 Only)

Input voltage range	0 to V_{cc} ($V_{cc} = +5\text{ V} \pm 3\%$)
Resolution	8 bits

Power Requirements (Max)

+5 ($\pm 3\%$)	1.2 A
+12 V ($\pm 3\%$)	0 A
-12 V ($\pm 3\%$)	0 A
Power consumption	6 W

Physical

Dimensions (Not Including Connectors)

PCI controllers	17.5 by 9.9 cm (6.9 by 3.9 in.)
PXI controllers	16 by 10 cm (6.3 by 3.9 in.)

Motion I/O Connector

PCI controllers	68-pin female VHDCI type
PXI controllers	68-pin male SCSI-II type

A/D Connector

PXI-7324	10-pin male box-header
----------------	------------------------

Digital I/O Connector

PCI controllers 68-pin female VHDCI type

PXI controllers 50-pin male box-header

Environment

Operating temperature..... 0 to 55 °C

Storage temperature-20 to 70 °C

Relative humidity range10 to 90% (noncondensing)

Cable Connector Descriptions

This appendix describes the connectors on the optional cables for your 7324/7314 controller.

Figure B-1 shows the pin assignments for the 50-pin motion connector. This connector is available when you use the SH68-C68-S shielded cable assembly and the 68M-50F Step Bulkhead Cable Adapter with the PCI controllers, or when you use the SH68-68-S shielded cable assembly and the 68M-50F Step Bulkhead Cable Adapter with the PXI controllers.

Axis 1 Dir (CCW)	1	2	Axis 1 Step (CW)
Digital Ground	3	4	Axis 1 Encoder Phase A
Digital Ground	5	6	Axis 1 Encoder Phase B
Axis 1 Home Switch	7	8	Axis 1 Encoder Index
Trigger/Breakpoint 1	9	10	Axis 1 Forward Limit Switch
Axis 1 Inhibit	11	12	Axis 1 Reverse Limit Switch
Axis 2 Dir (CCW)	13	14	Axis 2 Step (CW)
Digital Ground	15	16	Axis 2 Encoder Phase A
Digital Ground	17	18	Axis 2 Encoder Phase B
Axis 2 Home Switch	19	20	Axis 2 Encoder Index
Trigger/Breakpoint 2	21	22	Axis 2 Forward Limit Switch
Axis 2 Inhibit	23	24	Axis 2 Reverse Limit Switch
Axis 3 Dir (CCW)	25	26	Axis 3 Step (CW)
Digital Ground	27	28	Axis 3 Encoder Phase A
Digital Ground	29	30	Axis 3 Encoder Phase B
Axis 3 Home Switch	31	32	Axis 3 Encoder Index
Trigger/Breakpoint 3	33	34	Axis 3 Forward Limit Switch
Axis 3 Inhibit	35	36	Axis 3 Reverse Limit Switch
Axis 4 Dir (CCW)	37	38	Axis 4 Step (CW)
Digital Ground	39	40	Axis 4 Encoder Phase A
Digital Ground	41	42	Axis 4 Encoder Phase B
Axis 4 Home Switch	43	44	Axis 4 Encoder Index
Trigger/Breakpoint 4	45	46	Axis 4 Forward Limit Switch
Axis 4 Inhibit	47	48	Axis 4 Reverse Limit Switch
Digital Ground	49	50	Host +5 V

Figure B-1. 50-Pin Stepper Connector Pin Assignment



Technical Support Resources

This appendix describes the comprehensive resources available to you in the Technical Support section of the National Instruments Web site and provides technical support telephone numbers for you to use if you have trouble connecting to our Web site or if you do not have internet access.

NI Web Support

To provide you with immediate answers and solutions 24 hours a day, 365 days a year, National Instruments maintains extensive online technical support resources. They are available to you at no cost, are updated daily, and can be found in the Technical Support section of our Web site at www.natinst.com/support.

Online Problem-Solving and Diagnostic Resources

- **KnowledgeBase**—A searchable database containing thousands of frequently asked questions (FAQs) and their corresponding answers or solutions, including special sections devoted to our newest products. The database is updated daily in response to new customer experiences and feedback.
- **Troubleshooting Wizards**—Step-by-step guides lead you through common problems and answer questions about our entire product line. Wizards include screen shots that illustrate the steps being described and provide detailed information ranging from simple getting started instructions to advanced topics.
- **Product Manuals**—A comprehensive, searchable library of the latest editions of National Instruments hardware and software product manuals.
- **Hardware Reference Database**—A searchable database containing brief hardware descriptions, mechanical drawings, and helpful images of jumper settings and connector pinouts.
- **Application Notes**—A library with more than 100 short papers addressing specific topics such as creating and calling DLLs, developing your own instrument driver software, and porting applications between platforms and operating systems.

Software-Related Resources

- **Instrument Driver Network**—A library with hundreds of instrument drivers for control of standalone instruments via GPIB, VXI, or serial interfaces. You also can submit a request for a particular instrument driver if it does not already appear in the library.
- **Example Programs Database**—A database with numerous, non-shipping example programs for National Instruments programming environments. You can use them to complement the example programs that are already included with National Instruments products.
- **Software Library**—A library with updates and patches to application software, links to the latest versions of driver software for National Instruments hardware products, and utility routines.

Worldwide Support

National Instruments has offices located around the globe. Many branch offices maintain a Web site to provide information on local services. You can access these Web sites from www.natinst.com/worldwide.

If you have trouble connecting to our Web site, please contact your local National Instruments office or the source from which you purchased your National Instruments product(s) to obtain support.

For telephone support in the United States, dial 512 795 8248. For telephone support outside the United States, contact your local branch office:

Australia 03 9879 5166, Austria 0662 45 79 90 0, Belgium 02 757 00 20,
Brazil 011 284 5011, Canada (Ontario) 905 785 0085,
Canada (Québec) 514 694 8521, China 0755 3904939,
Denmark 45 76 26 00, Finland 09 725 725 11, France 01 48 14 24 24,
Germany 089 741 31 30, Hong Kong 2645 3186, India 91805275406,
Israel 03 6120092, Italy 02 413091, Japan 03 5472 2970,
Korea 02 596 7456, Mexico (D.F.) 5 280 7625,
Mexico (Monterrey) 8 357 7695, Netherlands 0348 433466,
Norway 32 27 73 00, Singapore 2265886, Spain (Madrid) 91 640 0085,
Spain (Barcelona) 93 582 0251, Sweden 08 587 895 00,
Switzerland 056 200 51 51, Taiwan 02 2377 1200,
United Kingdom 01635 523545

Glossary

Prefix	Meanings	Value
μ -	micro-	10^{-6}
m-	milli-	10^{-3}
c-	centi	10^{-2}
k-	kilo-	10^3
M-	mega-	10^6

Numbers/Symbols

$^{\circ}$	degrees
%	percent
\pm	plus or minus
+	positive of, or plus
-	negative of, or minus
/	per
Ω	ohm
+5 V	+5 VDC source signal

A

A	amperes
absolute mode	treat the target position loaded as position relative to zero while making a move
absolute position	signal position relative to zero
active-high	a signal is active when its value goes high (1)
active-low	a signal is active when its value goes low (0)

A/D	analog-to-digital
address	character code that identifies a specific location (or series of locations) in memory
amplifier	the drive that delivers power to operate the motor in response to low level control signals. In general, the amplifier is designed to operate with a particular motor type—you cannot use a stepper drive to operate a DC brush motor, for instance
anticipation time breakpoint	used to pre-load a desired anticipation time relative to the end of a programmed motion trajectory—when the position corresponding to the desired anticipation time is reached, an external breakpoint signal transitions on a dedicated I/O port output line for the selected axis. The anticipation breakpoint function is similar to, and shares the same resources as, the position breakpoint function.
API	application programming interface
axis	unit that controls a motor or any similar device
axis <1..4> Dir (CCW)	stepper—axis 1 through 4 motor direction or counter-clockwise control
Axis <1..4> Encoder Phase A	closed-loop—axis 1 through 4 phase A encoder input
Axis <1..4> Encoder Phase B	closed-loop—axis 1 through 4 phase B encoder input
Axis <1..4> Forward Limit	axis 1 through 4 forward/clockwise limit switch
Axis <1..4> Home Switch	axis 1 through 4 home switch
Axis <1..4> $\overline{\text{Inhibit}}$	stepper—axis 1 through 4 drive inhibit
Axis <1..4> Reverse Limit	axis 1 through 4 reverse/counter-clockwise limit switch
Axis <1..4> Step (CW)	stepper—axis 1 through 4 motor step or clockwise control

B

b	bit—one binary digit, either 0 or 1
base address	memory address that serves as the starting address for programmable registers. All other addresses are located by adding to the base address.
binary	a number system with a base of 2
buffer	temporary storage for acquired or generated data (software)
bus	the group of conductors that interconnect individual circuitry in a computer. Typically, a bus is the expansion vehicle to which I/O or other devices are connected.
byte	eight related bits of data, an eight-bit binary number. Also used to denote the amount of memory required to store one byte of data.

C

CCW	counter-clockwise—implies direction of rotation of the motor
CL	closed-loop—a broadly applied term relating to any system where output is measured and compared to input. The output is then adjusted to reach the desired condition. In motion control this term applies to a system using an encoder or any feedback device.
common	reference signal for digital I/O
CPU	central processing unit
crosstalk	an unwanted signal on one channel due to an input on a different channel
CW	clockwise—implies direction of motor rotation

D

DC	direct current
dedicated	assigned to a particular function
DGND	digital ground signal

digital I/O port	a group of digital input/output signals
DIP	dual inline package
DLL	dynamic link library—provides the API for the controllers
drivers	software that controls a specific controller

E

encoder	device that translates mechanical motion into electrical signals; used for monitoring position or velocity
encoder resolution	the number of encoder lines between consecutive encoder indexes (marker or Z-bit). If the encoder does not have an index output the encoder resolution can be referred to as lines per revolution.

F

filtering	a type of signal conditioning that filters unwanted signals from the signal being measured
filter parameters	indicates the control loop parameter gains (PID gains) for a given axis
following error trip point	the difference between the instantaneous function trajectory position and the feedback position
freewheel	the condition of a motor when power is de-energized and the motor shaft is free to turn
full-step	full-step mode of a stepper motor—for a two phase motor this is done by energizing both windings or phases simultaneously

G

Gnd	ground
GND	ground

H

half-step	mode of a stepper motor—for a two phase motor this is done by alternately energizing two windings and then only one. In half step mode, alternate steps are strong and weak but there is significant improvement in low-speed smoothness over the full-step mode.
hex	hexadecimal
home switch (input)	a reference position in a motion control system derived from a mechanical datum or switch. Often designated as the zero position.
host computer	computer into which the motion controller is plugged

I

ID	identification
in.	inches
index	marker between consecutive encoder revolutions
I/O	input/output—the transfer of data to and from a computer system involving communications channels, operator interface devices, and/or motion control interfaces
interlock	5 V bus voltage monitoring circuitry present on accessories
inverting	the polarity of a switch (limit switch, home switch, etc.) in <i>active</i> state. If these switches are active-low they are said to have inverting polarity.
IRQ	interrupt request

K

k	kilo—the standard metric prefix for 1,000, or 10^3 , used with units of measure such as volts, hertz, and meters
K	kilo—the prefix for 1,024, or 2^{10} , used with B in quantifying data or computer memory

L

- latching a signal that maintains its value while in a given state, as opposed to a signal that momentarily pulses when entering or exiting a state
- limit switch (input) sensors that alert the control electronics that physical end of travel is being approached and that the motion should stop

M

- m meters
- microstep mode of a stepper motor—subdividing the basic motor step by proportioning the current in the windings. In this way the step size is reduced and low speed smoothness is dramatically improved
- modulo position treat the target position as within the range of total quadrature counts per revolution for an axis

N

- noise an undesirable electrical signal—noise comes from external sources such as the AC power line, motors, generators, transformers, fluorescent lights, soldering irons, CRT displays, computers, electrical storms, welders, radio transmitters, and internal sources such as semiconductors, resistors, and capacitors. Noise corrupts signals you are trying to send or receive.
- noninverting the polarity of a switch (limit switch, home switch, etc.) in *active* state. If these switches are active-high, they are said to have non-inverting polarity.

O

- OL open-loop—refers to a motion control system where no external sensors (feedback devices) are used to provide position or velocity correction signals

P

PID	proportional-integral-derivative control loop
port	(1) a communications connection on a computer or a remote controller (2) a digital port, consisting eight lines of digital input and/or output
position breakpoint	position breakpoint for an encoder can be set in absolute or relative quadrature counts. When the encoder reaches a position breakpoint, the associated breakpoint output immediately transitions.
power cycling	turning the host computer off and then back on, which resets the controller
prestore	trigger buffer function storage, which stores a series of functions in a buffer.
pull-in move	when stepper motors are run in closed-loop mode, the encoder feedback is used to verify the position of an axis when the motion ends. The motion controller then functions the axis to do a final move so that it is at the desired target position.
PWM	Pulse Width Modulation—a method of controlling the average current in a motors phase windings by varying the on-time (duty cycle) of transistor switches

Q

quadrature counts	the encoder line resolution times four
-------------------	----------------------------------------

R

RAM	random-access memory
relative breakpoint	sets the position breakpoint for an encoder in relative quadrature counts
relative mode	treat the target position loaded as position relative to current position while making a move
relative position	position relative to current position
ribbon cable	a flat cable in which the conductors are side by side

rotary axis an axis for which rotary counts are loaded. The axis moves to the target position by taking the shortest path, either forward or backwards, while remaining within the one revolution defined by the loaded rotary counts.

RPM revolutions per minute—units for velocity.

RPS/PS or RPS/S revolutions per second squared—units for acceleration and deceleration.

S

s seconds

stepper specifies an axis that controls a stepper motor

T

toggle changing state from high to low, back to high, and so on

torque force tending to produce rotation

trapezoidal profile a typical motion trajectory, where a motor accelerates up to the programmed velocity using the programmed acceleration, traverses at the programmed velocity, then decelerates at the programmed acceleration to the target position

trigger any event that causes or starts some form of data capture

TTL transistor-transistor logic

V

V volts

V_{CC} positive voltage supply

velocity mode move the axis continuously at the specified velocity

W

watchdog a timer task that shuts down (resets) the controller if any serious error occurs

word the standard number of bits that a processor or memory manipulates at one time, typically 8-, 16-, or 32-bit

Z

Z-bit marker between consecutive encoder revolutions

Index

Numbers

- +5 V signal
 - bus power signal, 4-4
 - description (table), 4-3
- 24-bit digital I/O connector. *See* digital I/O connector.
- 7324/7314 controllers. *See also* hardware overview.
 - motion signal and motion I/O connections, 1-3
 - National Instruments application software, 1-2
 - optional equipment, 1-3
 - overview, 1-1
 - requirements for getting started, 1-1
 - software programming choices, 1-2

A

- acceleration value loading, 3-5
- ADC inputs
 - ADC overview, 4-15
 - external pin assignments (figure), 4-15
- Analog Input Ground (table), 4-3
- analog input specifications, A-2
- Analog Input<1..4> signal (table), 4-3
- Analog Reference (output) signal (table), 4-3
- Axis<1..4> Dir (CCW) signal (table), 4-3
- Axis<1..4> Encoder Index signal (table), 4-3
- Axis<1..4> Encoder Phase A signal (table), 4-3
- Axis<1..4> Encoder Phase B signal (table), 4-3
- Axis<1..4> Forward Limit Switch signal (table), 4-3
- Axis<1..4> Home Switch signal (table), 4-3
- Axis<1..4> Inhibit signal (table), 4-3

- Axis<1..4> Reverse Limit Switch signal (table), 4-3
- Axis<1..4> Step (CW) signal (table), 4-3

B

- Breakpoint<1..4> signal (table), 4-3. *See also* trigger, breakpoint, and inhibit signals.
- BridgeVIEW software, 1-2
- bus power signal, 4-4

C

- configuration, 2-1
- connectors
 - digital I/O connector, 4-10 to 4-14
 - 50-pin connector pin assignments (figure), 4-12
 - 68-pin connector pin assignments, 4-11
 - port configuration, 4-13 to 4-14
 - specifications, A-2
 - external connector
 - preventing noise or crosstalk (caution), 4-3
 - wiring recommendations, 4-3 to 4-4
 - motion I/O connector pin assignments (figure), 4-2
 - optional cable connector pin assignments (figure), B-1
 - signal descriptions (table), 4-3

D

- diagnostic resources, online, C-1
- Digital Ground (table), 4-3
- digital I/O connector, 4-10 to 4-14
 - 50-pin connector pin assignments (figure), 4-12

- 68-pin connector pin assignments, 4-11
- port configuration, 4-13 to 4-14
- specifications, A-2

documentation

- about this manual, *ix*
- conventions used in manual, *ix-x*
- related documentation, *x*

E

encoder connections (7324 controllers only), 4-8 to 4-10

- determining quadrature counts (note), 4-9
- encoder index signal, 4-9
- encoder signal input circuit, 4-10
- encoder signals, 4-9
- excessive input voltages (caution), 4-10
- quadrature encoder phasing diagram, 4-8
- wiring concerns, 4-9

environment specifications, A-3

equipment, optional, 1-3

event-based motion profiling, 3-3

external connector

- preventing noise or crosstalk (caution), 4-3
- wiring recommendations, 4-3 to 4-4

F

functional modes, 3-2 to 3-3

- event-based motion profiling, 3-3
- trapezoidal profile position control, 3-2 to 3-3
- velocity control, 3-3
- velocity profiling, 3-3

H

hardware installation, 2-1 to 2-2

hardware overview, 3-1 to 3-5

- functional modes, 3-2 to 3-3
 - event-based motion profiling, 3-3
 - trapezoidal profile position control, 3-2 to 3-3
 - velocity control, 3-3
 - velocity profiling, 3-3

parts locator diagrams

- PCI controller, 3-1

- PXI controller, 3-2

trajectory parameters, 3-4 to 3-5

- acceleration value loading, 3-5

- position value loading, 3-4

- velocity value loading, 3-4 to 3-5

home switches. *See* limit and home switches.

Host +5 V signal (table), 4-3

I

inhibit signals. *See* trigger, breakpoint, and inhibit signals.

installation

- hardware, 2-1 to 2-2

- software, 2-1

I/O connectors. *See* connectors.

I/O port hardware circuit, 4-6 to 4-7

J

jumpers

- configuration for trigger, breakpoint, and inhibit signals, 4-5

- jumper pin I/O port correspondence (table), 4-5

L

- LabVIEW software, 1-2
- LabWindows/CVI software, 1-2
- limit and home switches, 4-7 to 4-8
 - excessive input voltages (caution), 4-8
 - input circuit, 4-8
 - wiring concerns (caution), 4-7

M

- manual. *See* documentation.
- motion digital I/O specifications, A-1
 - input circuits, A-1
 - output circuits, A-1

N

- National Instruments application software, 1-2
- National Instruments Web support, C-1 to C-2

O

- online problem-solving and diagnostic resources, C-1
- optional cable connector pin assignments (figure), B-1
- optional equipment, 1-3

P

- parts locator diagrams
 - PCI controller, 3-1
 - PXI controller, 3-2
- physical specifications, A-2
- ports. *See also* digital I/O connector.
 - Port A, 4-13
 - Port B, 4-13 to 4-14
 - Port C direction setting, 4-14
- position value loading, 3-4
- power requirement specifications, A-2

- problem-solving and diagnostic resources,
 - online, C-1
- profiling
 - event-based motion profiling, 3-3
 - velocity profiling, 3-3

R

- requirements for getting started, 1-1

S

- signal connections, 4-1 to 4-15
 - ADC inputs, 4-15
 - bus power signal, 4-4
 - digital I/O connector, 4-10 to 4-14
 - 50-pin connector pin assignments (figure), 4-12
 - 68-pin connector pin assignments, 4-11
 - port configuration, 4-13 to 4-14
 - encoder connections (7324 controllers only), 4-8 to 4-10
 - determining quadrature counts (note), 4-9
 - encoder index signal, 4-9
 - encoder signal input circuit, 4-10
 - encoder signals, 4-9
 - excessive input voltages (caution), 4-10
 - quadrature encoder phasing diagram, 4-8
 - wiring concerns, 4-9
- external connector wiring
 - recommendations, 4-3 to 4-4
- jumper configuration, 4-5
- limit and home switches, 4-7 to 4-8
 - input circuit, 4-8
 - wiring concerns, 4-7
- motion I/O connector pin assignments (figure), 4-2

- overview, 1-3
- signal descriptions (table), 4-3
- trigger, breakpoint, and inhibit signals, 4-4 to 4-5
 - input signals, 4-4
 - I/O port hardware circuit, 4-6 to 4-7
 - jumper configuration, 4-5
 - output signals, 4-6
 - wiring concerns, 4-5
- software
 - installation, 2-1
 - National Instruments software, 1-2
 - programming choices, 1-2
- software-related resources, C-2
- specifications, A-1 to A-3
 - 24-bit digital I/O, A-2
 - analog input, A-2
 - digital I/O connector, A-3
 - environment, A-3
 - motion digital I/O
 - input circuits, A-1
 - output circuits, A-1
 - physical, A-2
 - power requirements, A-2
 - stepper performance, A-1
- stepper performance specifications, A-1

T

- technical support resources, C-1 to C-2
- trajectory parameters, 3-4 to 3-5
 - acceleration value loading, 3-5
 - position value loading, 3-4
 - velocity value loading, 3-4 to 3-5
- trapezoidal profile position control, 3-2 to 3-3
- trigger, breakpoint, and inhibit signals, 4-4 to 4-5
 - excessive input voltages (caution), 4-7
 - input signals, 4-4

- I/O port hardware circuit, 4-6 to 4-7
 - inhibit hardware circuitry (figure), 4-6
 - trigger and breakpoint hardware circuitry (figure), 4-6
- jumper configuration, 4-5
- motion digital I/O specifications, A-1
- output signals, 4-4
- wiring concerns, 4-5
- Trigger<1..4> signal (table), 4-3

V

- ValueMotion software, 1-2
- velocity control, 3-3
- velocity profiling, 3-3
- velocity value loading, 3-4 to 3-5

W

- Web support from National Instruments, C-1 to C-2
 - online problem-solving and diagnostic resources, C-1
 - software-related resources, C-2
- wiring recommendations for external connector, 4-3 to 4-4
- Worldwide technical support, C-2