

COMPREHENSIVE SERVICES

We offer competitive repair and calibration services, as well as easily accessible documentation and free downloadable resources.

SELL YOUR SURPLUS

We buy new, used, decommissioned, and surplus parts from every NI series. We work out the best solution to suit your individual needs.

 Sell For Cash  Get Credit  Receive a Trade-In Deal

OBSOLETE NI HARDWARE IN STOCK & READY TO SHIP

We stock **New**, **New Surplus**, **Refurbished**, and **Reconditioned** NI Hardware.



Bridging the gap between the manufacturer and your legacy test system.

 1-800-915-6216

 www.apexwaves.com

 sales@apexwaves.com

All trademarks, brands, and brand names are the property of their respective owners.

Request a Quote

 **CLICK HERE**

PXI-1011

PXI™-1011 CHASSIS RACK-MOUNT KIT

This guide details the procedure for installing the PXI-1011 rack-mount kit on the PXI-1011 chassis. Once installed, you can use the rack-mount brackets to install the PXI-1011 chassis into a standard 19 in. rack. You can use the multi-position rack-mount brackets to install the PXI-1011 chassis in one of six positions to attain the desired front-panel depth.

What You Need to Get Started

To set up your PXI-1011 rack-mount kit, you need the following items:

- PXI-1011 Chassis
- PXI-1011 Chassis Rack-Mount Kit
 - Two rack-mount brackets
 - Six screws (8-32 × 3/8 in., Phillips flat head)
 - *PXI-1011 Chassis Rack-Mount Kit Installation Guide*
- Number 2 Phillips-head screwdriver
- Flat-head screwdriver
- Four screws (10-32 × 1/2 in., Phillips pan head)

Removing the PXI-1011 Chassis Handle, Side Feet, and Bottom Feet

Before you can install the PXI-1011 chassis rack-mount kit and install the chassis in a rack, you must remove the handle, side feet, and bottom feet from the chassis. To prepare the PXI-1011 chassis for installation of the rack-mount kit, perform steps 1 through 4:

1. Turn off the PXI-1011 chassis system power.
2. Remove the bottom feet while referring to Figure 1.
 - a. Remove the $8\text{-}32 \times 3/8$ in. Phillips-head screw from each of the four bottom feet.
 - b. Remove the bottom feet.

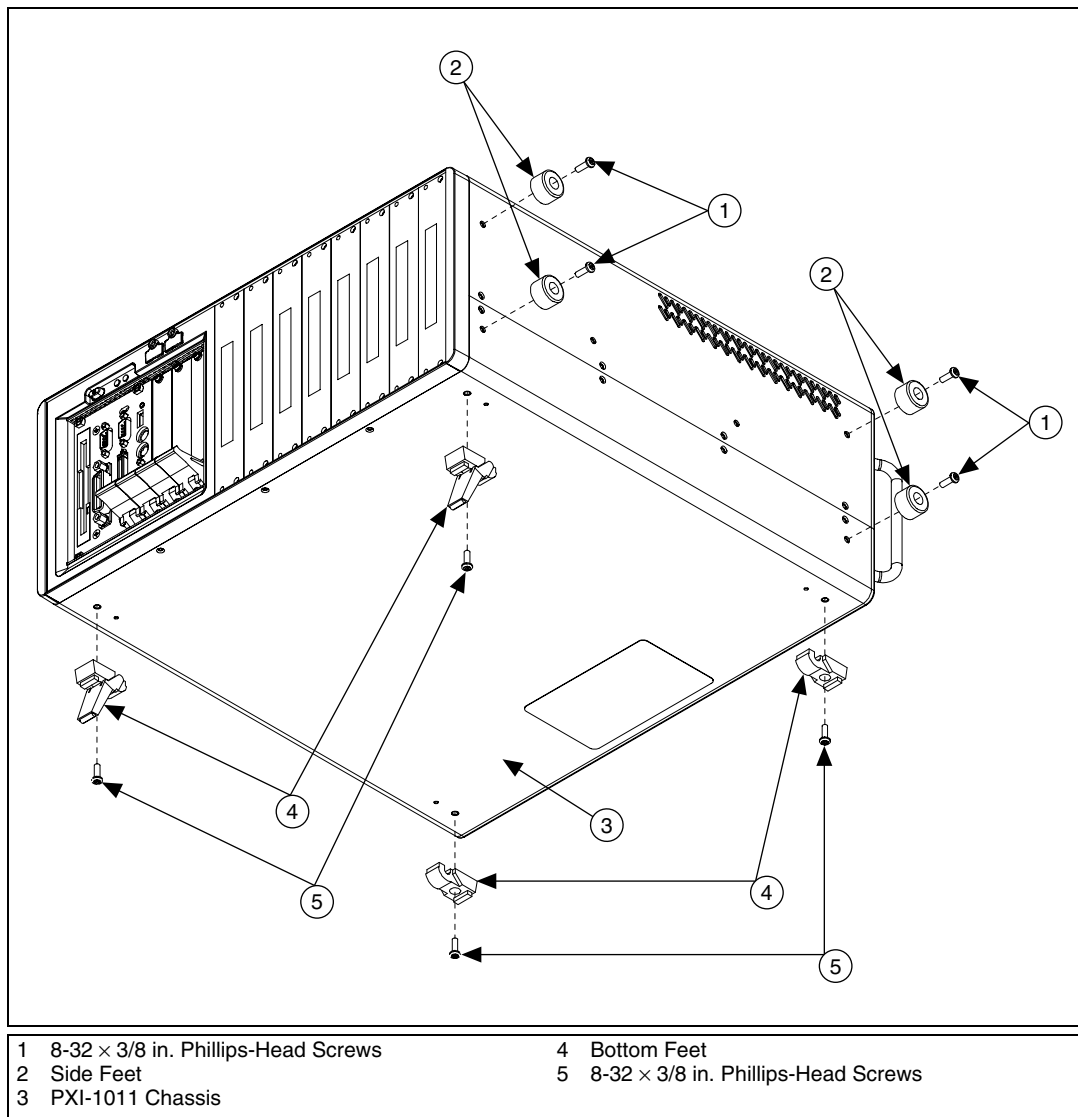


Figure 1. PXI-1011 Chassis Bottom and Side Feet Removal
(Bottom View of Chassis)

3. Remove the side feet while referring to Figure 1.
 - a. Remove the 8-32 × 3/8 in. Phillips-head screw from the center of each of the four side feet.
 - b. Remove the four side feet.

4. Remove the chassis handle while referring to Figure 2.
 - a. Pry the two screw covers off the handle with a flat-head screwdriver.
 - b. Remove the two 4-40 × 1/2 in. Phillips-head screws located beneath each cover.
 - c. Remove the handle keepers and handle.

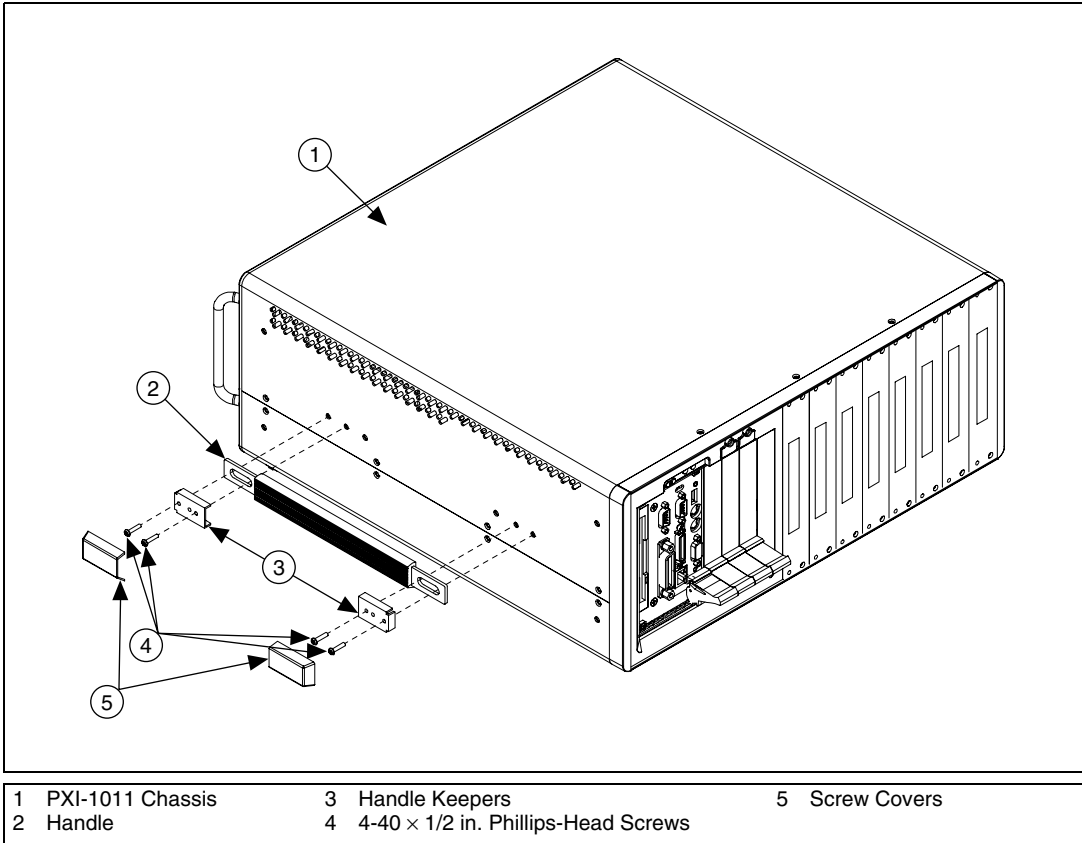


Figure 2. PXI-1011 Chassis Handle Assemble Removal (Side View of Chassis)

Installing the PXI-1011 Chassis Rack-Mount Kit

You can mount the PXI-1011 chassis flush in the rack or in one of five recessed positions. The recessed positions are for keeping the front surface flush with the rack front when terminal blocks and connections are made to the modules and devices in the PXI-1011 chassis. For mechanical dimensions of the PXI-1011 chassis, refer to the *PXI-1011 Chassis User Manual*, Appendix A, *Specifications*.

While performing the following steps, refer to Figure 3 to install the PXI-1011 chassis rack-mount kit:

1. Turn off the PXI-1011 chassis system power.
2. Determine the correct mounting depth for your application.
3. Attach the rack-mount brackets using the six 8-32 \times 3/8 in. Phillips flat-head screws.
4. Attach the complete assembly to your rack using the four 10-32 \times 1/2 in. Phillips pan-head screws.

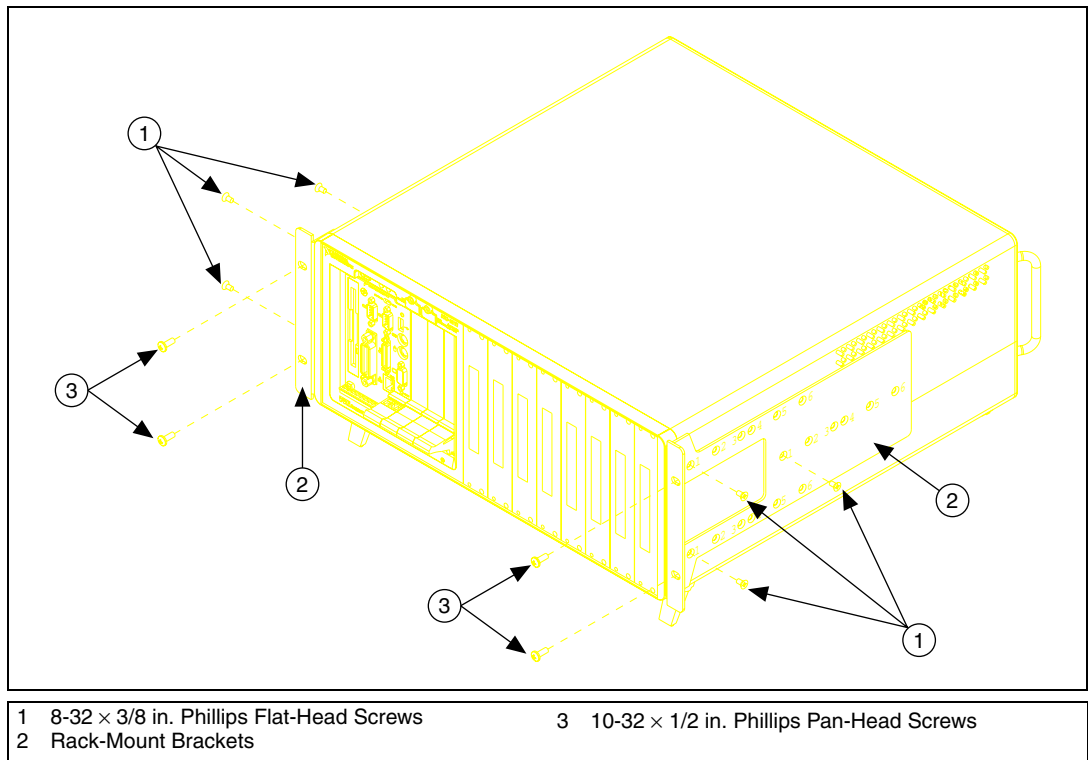


Figure 3. PXI-1011 Chassis Rack-Mount Installation



322798A-01

Jun00