

INSTALLATION GUIDE

PXI Chassis/Handle Feet Kit

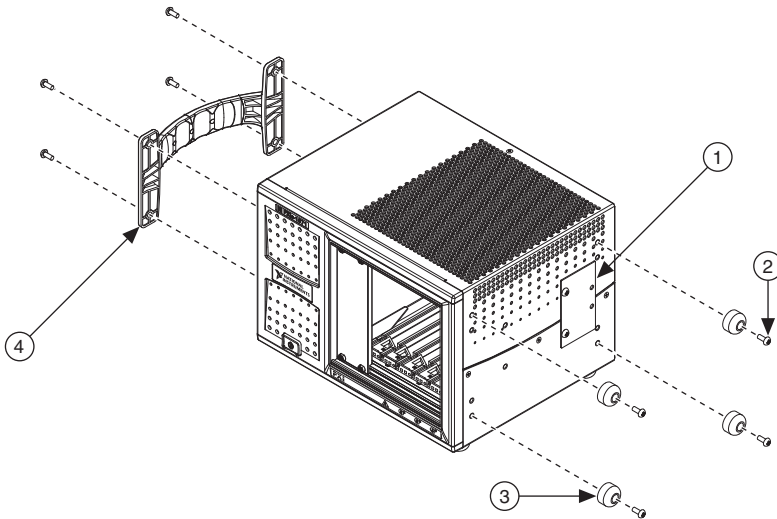
To install the kit, complete the following steps.

1. Remove COA label plate (as required).
2. Install the handle and four rubber feet using eight M4 screws.



Note You can install the handle/feet kit on either side of the chassis.

Figure 1. PXI Chassis with Optional Handle/Feet Kit



- 1 COA Label Plate
- 2 M4 Screws (x8)

- 3 Rubber Feet (x4)
- 4 Chassis Handle

Information is subject to change without notice. Refer to the *NI Trademarks and Logo Guidelines* at ni.com/trademarks for more information on NI trademarks. Other product and company names mentioned herein are trademarks or trade names of their respective companies. For patents covering NI products/technology, refer to the appropriate location: **Help»Patents** in your software, the `patents.txt` file on your media, or the *National Instruments Patents Notice* at ni.com/patents. You can find information about end-user license agreements (EULAs) and third-party legal notices in the readme file for your NI product. Refer to the *Export Compliance Information* at ni.com/legal/export-compliance for the NI global trade compliance policy and how to obtain relevant HTS codes, ECCNs, and other import/export data. NI MAKES NO EXPRESS OR IMPLIED WARRANTIES AS TO THE ACCURACY OF THE INFORMATION CONTAINED HEREIN AND SHALL NOT BE LIABLE FOR ANY ERRORS. U.S. Government Customers: The data contained in this manual was developed at private expense and is subject to the applicable limited rights and restricted data rights as set forth in FAR 52.227-14, DFAR 252.227-7014, and DFAR 252.227-7015.

© 2010–2019 National Instruments. All rights reserved.