

COMPREHENSIVE SERVICES

We offer competitive repair and calibration services, as well as easily accessible documentation and free downloadable resources.

SELL YOUR SURPLUS

We buy new, used, decommissioned, and surplus parts from every NI series. We work out the best solution to suit your individual needs.

 Sell For Cash  Get Credit  Receive a Trade-In Deal

OBSOLETE NI HARDWARE IN STOCK & READY TO SHIP

We stock **New**, **New Surplus**, **Refurbished**, and **Reconditioned** NI Hardware.



Bridging the gap between the manufacturer and your legacy test system.

 1-800-915-6216

 www.apexwaves.com

 sales@apexwaves.com

All trademarks, brands, and brand names are the property of their respective owners.

Request a Quote

 **CLICK HERE**

PXI-1042Q

INSTALLATION GUIDE

NI PXI-8250

NI PXI System Monitor Module

This document describes how to install and configure the NI PXI-8250.

Software Installation

The NI PXI-8250 ships with NI System Monitor software that includes the driver for the module. Although this software offers programmatic access to the information reported by the card, it is not required to operate the six system status LEDs, the relay, or the power rail connections on the front panel. Refer to the *NI System Monitor Help* for specific installation instructions.



Notes The NI PXI-8250 will not be visible in Measurement & Automation Explorer (MAX) after proper installation. You can see the module in Windows Device Manager if the System Monitor driver is installed and Device Manager has been refreshed.

When adding or removing an NI PXI-8250 module from a Windows XP/2000/NT system, you must be logged on with administrator-level permission.

Hardware Installation

The following instructions are for general module installation in the specified chassis. Consult the PXI chassis user manual for a given chassis for chassis-specific instructions and warnings related to installation or module configuration.



Cautions The NI PXI-8250 module may sustain damage or inflict damage on adjacent modules if improperly installed.

Proper slot selection is required for the operation of this module. If the module is installed in any other slot, the module will not operate and could potentially cause other adjacent modules to not operate. Appendix A, *Specifications*, of the *NI PXI-8250 User Manual* lists the typical power required for the NI PXI-8250 module.

The NI PXI-8250 is a sensitive electronic device shipped in an antistatic bag. Open only at an approved workstation and observe precautions for handling electrostatic-sensitive devices.



Note Install the NI PXI-8250 in only the right-most slot of an NI PXI-1042/1042Q or NI PXI-1045. Hence, the NI PXI-8250 should only be installed in slot 8 of an NI PXI-1042/1042Q chassis or slot 18 of an NI PXI-1045 chassis.

Complete the following steps to install the NI PXI-8250 module.

1. Power off and unplug the chassis.



Caution To protect yourself and the computer from electrical hazards, the chassis must remain unplugged until the installation is complete.

2. Locate the rightmost (last numbered) slot of the NI PXI-1042/1042Q or NI PXI-1045 chassis and ensure it is unused. If occupied, relocate the module or remove the filler panel. Refer to Figure 1 for the location of this slot on the NI PXI-1042/1042Q chassis, and Figure 2 for the location of this slot on the NI PXI-1045 chassis.

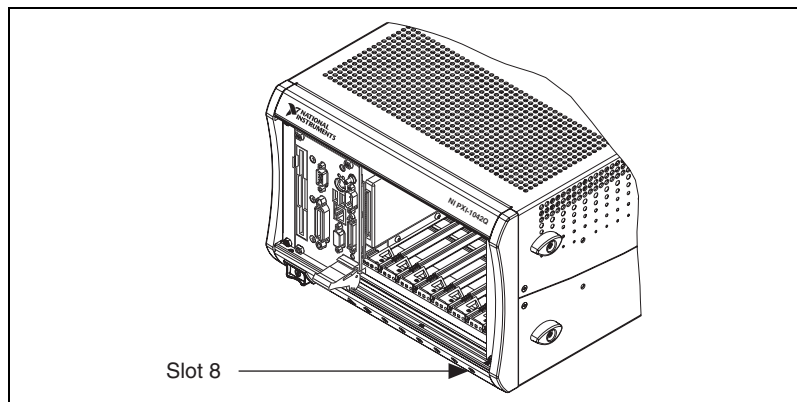


Figure 1. Location of NI PXI-1042Q Slot for NI PXI-8250 Support

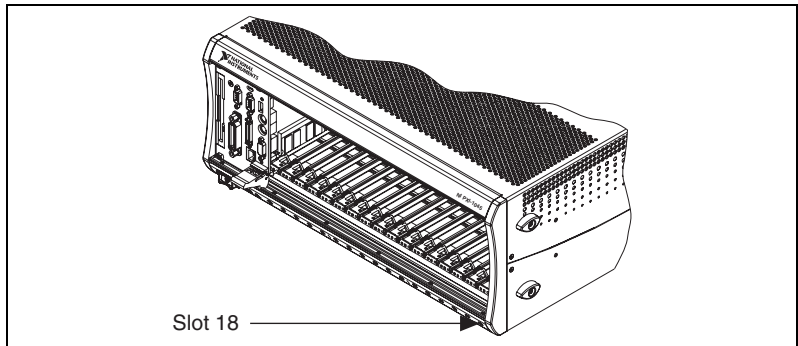


Figure 2. Location of NI PXI-1045 Slot for NI PXI-8250 Support

3. Touch a metal part on the chassis to discharge any static electricity that might be on your clothes or body. Static electricity can damage the hardware.
4. Insert the NI PXI-8250 module into the rightmost slot of a NI PXI-1042/1042Q or NI PXI-1045. The correct position is slot 8 for the NI PXI-1042/1042Q and slot 18 for the NI PXI-1045, as shown in Figure 1 and Figure 2, respectively. Use the injector/ejector handle to fully inject the device into place.
5. Screw the front panel of the NI PXI-8250 to the front panel mounting rails of the chassis.
6. Install a system controller or verify that a system controller has been installed in the controller slot.
7. Plug in and power on the chassis.
8. Plug in and power on the host computer if using a remote controller in the chassis.
9. Allow the operating system to properly detect and identify the NI PXI-8250 module.
10. Launch Windows Device Manager and refresh the view.

The NI PXI-8250 module should be visible in Windows Device Manager.

NI PXI-8250 Configuration

The NI PXI-8250 module is fully compatible with the industry standard *PXI Specification, Revision 2.2*, and the *PCI Local Bus Specification, Revision 3.0*, respectively. This compatibility allows the PXI system to automatically perform all bus-related configuration and requires no user interaction. Since the NI PXI-8250 does not require configuration in MAX it does not show up in MAX.

National Instruments, NI, ni.com, and LabVIEW are trademarks of National Instruments Corporation. Refer to the *Terms of Use* section on ni.com/legal for more information about National Instruments trademarks. Other product and company names mentioned herein are trademarks or trade names of their respective companies. For patents covering National Instruments products, refer to the appropriate location: **Help»Patents** in your software, the `patents.txt` file on your media, or ni.com/patents.