

## COMPREHENSIVE SERVICES

We offer competitive repair and calibration services, as well as easily accessible documentation and free downloadable resources.

## SELL YOUR SURPLUS

We buy new, used, decommissioned, and surplus parts from every NI series. We work out the best solution to suit your individual needs.

 Sell For Cash    Get Credit    Receive a Trade-In Deal

## OBSOLETE NI HARDWARE IN STOCK & READY TO SHIP

We stock **New**, **New Surplus**, **Refurbished**, and **Reconditioned** NI Hardware.



*Bridging the gap between the manufacturer and your legacy test system.*

 1-800-915-6216

 [www.apexwaves.com](http://www.apexwaves.com)

 [sales@apexwaves.com](mailto:sales@apexwaves.com)

*All trademarks, brands, and brand names are the property of their respective owners.*

**Request a Quote**

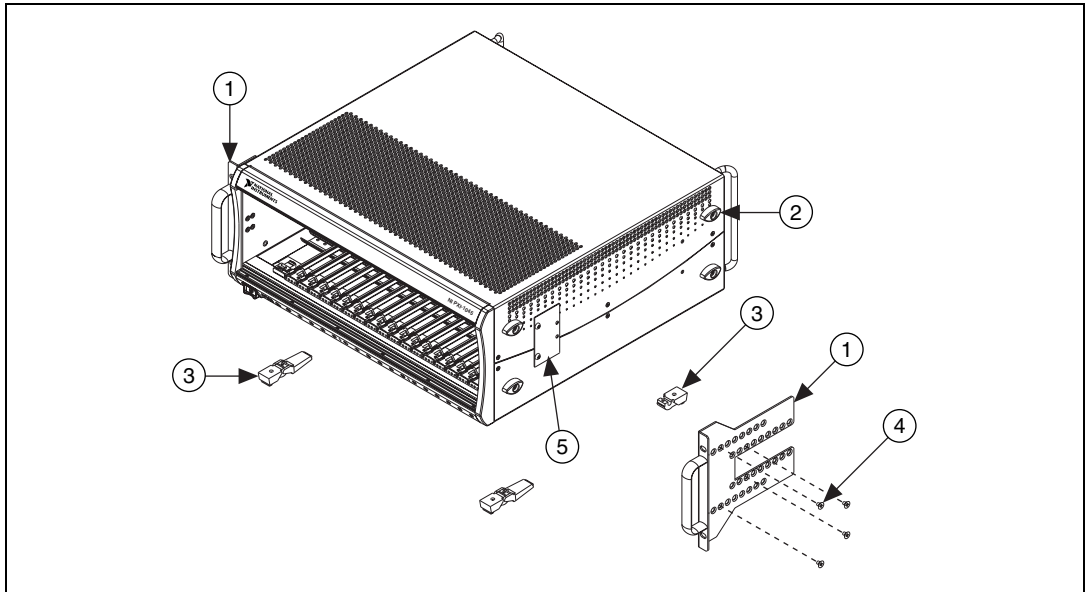
 **CLICK HERE**

**PXI-1045**

## INSTALLATION GUIDE

# NI PXI-1045 Front Rack Mount Kit

To mount the NI PXI-1045 in an instrument rack, complete the following steps.



1 Mounting Bracket  
2 Side Feet  
3 Bottom Feet

4 M4 x 8 Flathead Screw (Qty. 8)  
5 COA Label Plate

**Figure 1.** NI PXI-1045 in Rack Mount Configuration

1. Remove the side feet, bottom feet, and COA label plate (as required) from the NI PXI-1045 chassis.
2. Install the mounting brackets onto each side of the chassis using the M4 x 8 flathead screws supplied. Notice that you can recess the chassis in the cabinet rack at .5 in. increments.
3. Install the chassis in the instrument rack using four screws (not supplied).

National Instruments™, NI™, and ni.com™ are trademarks of National Instruments Corporation. Product and company names mentioned herein are trademarks or trade names of their respective companies. For patents covering National Instruments products, refer to the appropriate location: **Help» Patents** in your software, the `patents.txt` file on your CD, or [ni.com/patents](http://ni.com/patents).

© 2003 National Instruments Corp. All rights reserved.



323698A-01

Sep03