

COMPREHENSIVE SERVICES

We offer competitive repair and calibration services, as well as easily accessible documentation and free downloadable resources.

SELL YOUR SURPLUS

We buy new, used, decommissioned, and surplus parts from every NI series. We work out the best solution to suit your individual needs.

 Sell For Cash  Get Credit  Receive a Trade-In Deal

OBSOLETE NI HARDWARE IN STOCK & READY TO SHIP

We stock **New**, **New Surplus**, **Refurbished**, and **Reconditioned** NI Hardware.



Bridging the gap between the manufacturer and your legacy test system.

 1-800-915-6216

 www.apexwaves.com

 sales@apexwaves.com

All trademarks, brands, and brand names are the property of their respective owners.

Request a Quote

 **CLICK HERE**

PXI-1056

INSTALLATION GUIDE

PXI Express Chassis 14/18-Slot Rack Mount Kits

This guide explains how to install PXI Express chassis front and rear rack mount kits.

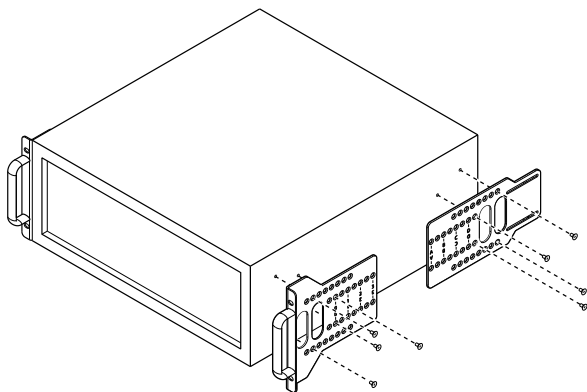
The kits allow easy installation of NI PXI Express 14-18 slot chassis in EIA 310-compliant racks of 480 mm width (19 in. standard). The bracket combinations allow installation into rack depths from 470 mm (18.5 in.) to 915 mm (36 in.). The bracket combinations also allow for chassis recess into the rack up to 175 mm (7 in.).



Caution You must maintain adequate clearance between the chassis and surrounding equipment or blockages to ensure proper cooling of the chassis power supply as well as the modules plugged into the chassis. Refer to the chassis user manual for cooling clearance requirements. Failure to provide these clearances may result in thermal-related failures in the chassis or modules.

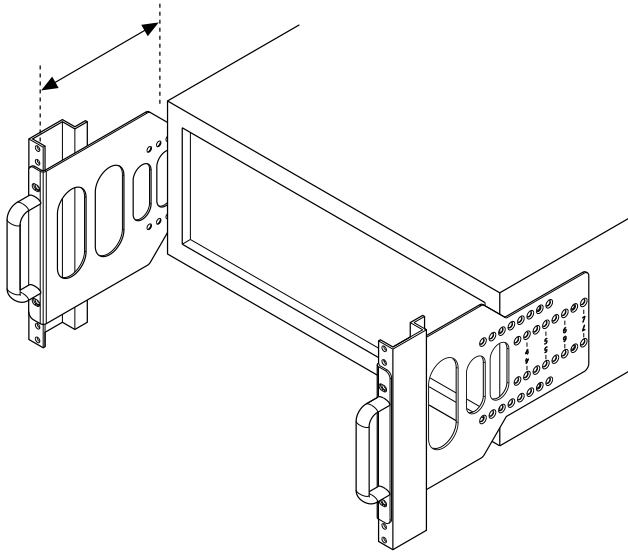
To mount the chassis in an instrument rack, complete the following steps.

1. Remove the side feet, bottom feet, handle, and Certificates of Analysis label plate (if needed) from the chassis.
2. Install the front mounting brackets and rear side plates on each side of the chassis as shown in the following figure, using four M4 x 8 mm flathead screws provided for each front bracket and rear side plate.

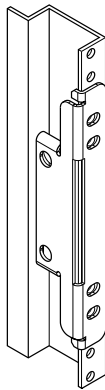


Note You can choose between two front and two rear side brackets, depending on the desired chassis recess (shown in the following figure) and

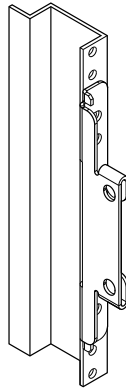
rack rail mounting depth. The shorter front bracket allows up to 75 mm (3 in.) chassis recess. The longer front bracket allows up to 175 mm (7 in.) recess.



3. Install the rear mounting brackets to the rack. You can install the rear brackets internal or external to the rack rail space, as shown in the following figure. (For rack depths less than 480 mm (19 in.), you must install the rear bracket in the external configuration to access the mounting screws.)

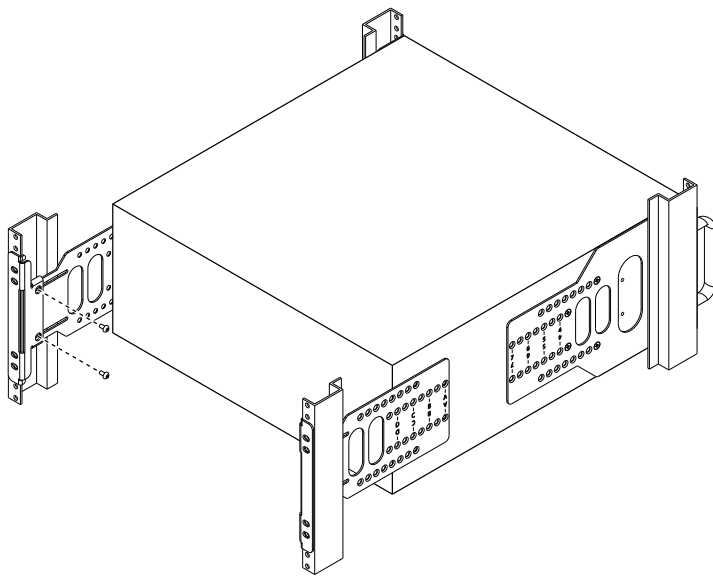


Internal Mounting



External Mounting

- Slide the chassis all the way into the rack from the front. Secure the front mounting brackets to the rack and rear side plates to the rear brackets with two M4 x 8 mm pan head screws provided for each mounting bracket. The following figure shows an installed chassis.



Information is subject to change without notice. Refer to the *NI Trademarks and Logo Guidelines* at ni.com/trademarks for information on NI trademarks. Other product and company names mentioned herein are trademarks or trade names of their respective companies. For patents covering NI products/technology, refer to the appropriate location: **Help»Patents** in your software, the `patents.txt` file on your media, or the *National Instruments Patent Notice* at ni.com/patents. You can find information about end-user license agreements (EULAs) and third-party legal notices in the `readme` file for your NI product. Refer to the *Export Compliance Information* at ni.com/legal/export-compliance for the NI global trade compliance policy and how to obtain relevant HTS codes, ECCNs, and other import/export data. NI MAKES NO EXPRESS OR IMPLIED WARRANTIES AS TO THE ACCURACY OF THE INFORMATION CONTAINED HEREIN AND SHALL NOT BE LIABLE FOR ANY ERRORS. U.S. Government Customers: The data contained in this manual was developed at private expense and is subject to the applicable limited rights and restricted data rights as set forth in FAR 52.227-14, DFAR 252.227-7014, and DFAR 252.227-7015.

© National Instruments. All rights reserved.

377408A-01 November 20, 2017