

## COMPREHENSIVE SERVICES

We offer competitive repair and calibration services, as well as easily accessible documentation and free downloadable resources.

## SELL YOUR SURPLUS

We buy new, used, decommissioned, and surplus parts from every NI series. We work out the best solution to suit your individual needs.

 Sell For Cash    Get Credit    Receive a Trade-In Deal

## OBSOLETE NI HARDWARE IN STOCK & READY TO SHIP

We stock **New**, **New Surplus**, **Refurbished**, and **Reconditioned** NI Hardware.



*Bridging the gap between the manufacturer and your legacy test system.*

 1-800-915-6216

 [www.apexwaves.com](http://www.apexwaves.com)

 [sales@apexwaves.com](mailto:sales@apexwaves.com)

*All trademarks, brands, and brand names are the property of their respective owners.*

**Request a Quote**

 **CLICK HERE**

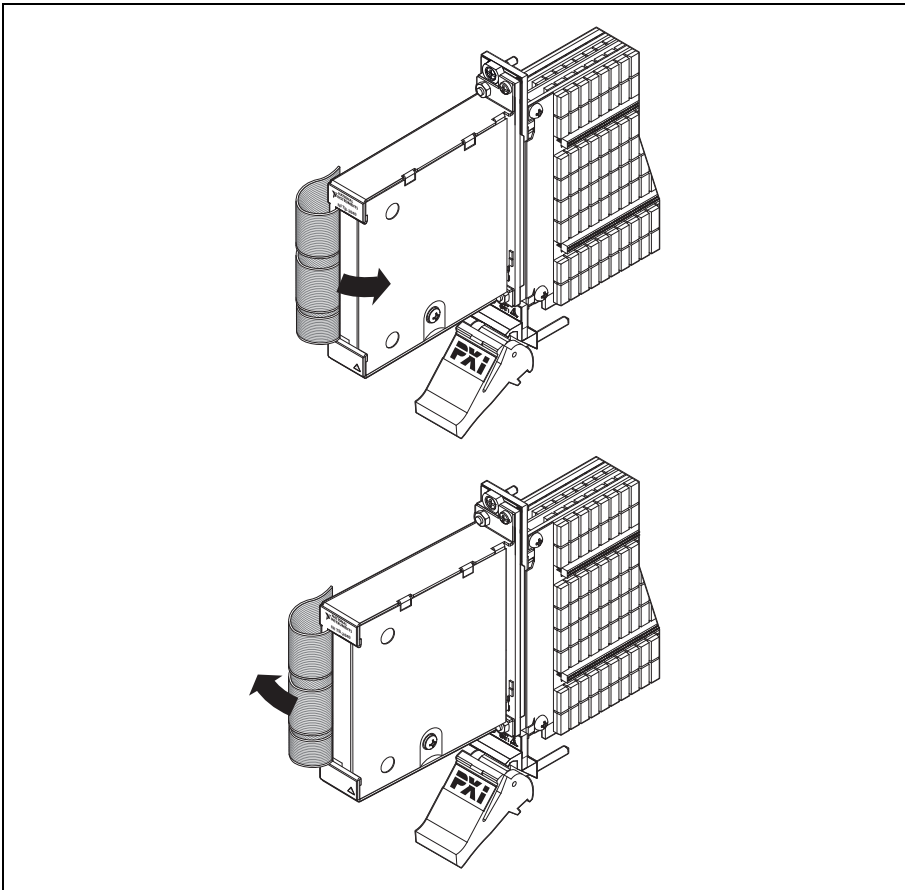
**PXI-2532**

## NOTE TO USERS

# NI PXI/PXIe-2532 and NI TB-264x Alignment Procedure

The following procedure ensures proper mating between NI PXI/PXIe-2532 modules and NI TB-264x terminal blocks. If this procedure is not performed, pins between the module and terminal block may not connect properly. Once you have applied this procedure, it does not need to be performed again unless the NI TB-264x terminal block is physically disconnected from the NI PXI/PXIe-2532. For best performance, NI recommends minimizing the number of mating cycles between the NI PXI/PXIe-2532 and NI TB-264x.

1. Connect the ribbon cables to the NI TB-264x. For more information, refer to the installation instructions for your terminal block.
2. Align the connectors on the NI TB-264x and NI PXI/PXIe-2532 and mate the NI TB-264x connector straight on to the NI PXI/PXIe-2532.
3. Tighten the top and bottom NI TB-264x mounting screws, alternating between the screws to ensure an even force distribution on the NI TB-264x.
4. Verify that the NI TB-264x is mounted flush with the NI PXI/PXIe-2532 and does not rotate to the left or right when a light force is applied to the sides of the NI TB-264x. Tighten both mounting screws if the NI TB-264x rotates when light force is applied.
5. Turn the top and bottom NI TB-264x mounting screws counterclockwise one half turn.
6. Perform the following steps to align the pins on the NI PXI/PXIe-2532 and NI TB-264x terminal block, as shown in Figure 1:
  - **NI PXI/PXIe-2532 not installed in chassis**—Hold the NI PXI/PXIe-2532 with one hand and the NI TB-264x with the other hand. Push the terminal block as far as it will easily go to the right, then the left, then back to center.
  - **NI PXI/PXIe-2532 installed in chassis**—Ensure the NI PXI/PXIe-2532 retention screws (that hold the NI PXI/PXIe-2532 into the chassis) are tightened; if these screws are loose, this procedure could damage the NI PXI/PXIe-2532. Hold the NI TB-264x and push the terminal block as far as it will easily go to the right, then the left, then back to center.
7. Tighten the top and bottom NI TB-264x mounting screws.



**Figure 1.** Aligning the NI PXI 2532 and NI TB 264x

LabVIEW, National Instruments, NI, ni.com, the National Instruments corporate logo, and the Eagle logo are trademarks of National Instruments Corporation. Refer to the *Trademark Information* at [ni.com/trademarks](http://ni.com/trademarks) for other National Instruments trademarks. Other product and company names mentioned herein are trademarks or trade names of their respective companies. For patents covering National Instruments products/technology, refer to the appropriate location: **Help>Patents** in your software, the `patents.txt` file on your media, or the *National Instruments Patents Notice* at [ni.com/patents](http://ni.com/patents). Refer to the *Export Compliance Information* at [ni.com/legal/export-compliance](http://ni.com/legal/export-compliance) for the National Instruments global trade compliance policy and how to obtain relevant HTS codes, ECCNs, and other import/export data.

© 2011 National Instruments Corporation. All rights reserved.