

COMPREHENSIVE SERVICES

We offer competitive repair and calibration services, as well as easily accessible documentation and free downloadable resources.

SELL YOUR SURPLUS

We buy new, used, decommissioned, and surplus parts from every NI series. We work out the best solution to suit your individual needs.

 Sell For Cash  Get Credit  Receive a Trade-In Deal

OBSOLETE NI HARDWARE IN STOCK & READY TO SHIP

We stock **New**, **New Surplus**, **Refurbished**, and **Reconditioned** NI Hardware.



Bridging the gap between the manufacturer and your legacy test system.

 1-800-915-6216

 www.apexwaves.com

 sales@apexwaves.com

All trademarks, brands, and brand names are the property of their respective owners.

Request a Quote

 **CLICK HERE**

PXI-3950

PXI-3950

3U Intel® Core™ 2 Duo T7500 2.2GHz Processor-based PXI Controller



Introduction

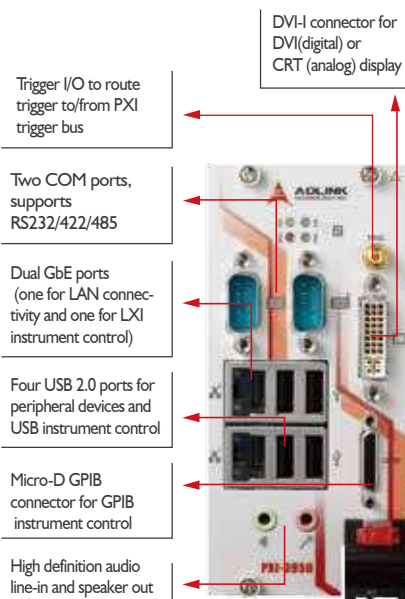
The ADLINK PXI-3950 PXI embedded controller is based on the Intel® Core™ 2 Duo and specifically designed for hybrid PXI based testing systems by providing a rugged and stable operating environment for a variety test and measurement applications. Hybrid PXI-based testing systems are typically composed of a PXI platform and diversified stand-alone instruments for complex testing tasks. The PXI-3950 provides plenty of interfaces, including GPIB, USB, and COM ports, for connecting and controlling instruments. The PXI-3950 also provides dual Gigabit Ethernet ports—one for a LAN connection and the other for controlling next-generation LXI instruments. Combining Intel® Core™ 2 Duo T7500 2.2 GHz processor, the GME965 chipset, and 4 GB of 667 MHz DDR2 memory, the PXI-3950 provides two computing engines on a single processor that can execute two independent tasks at the same time in a multi-tasking environment.

Features

- PXI™ specification Rev. 2.2 Compliant
- Scalable computing power
 - Intel® Core™ 2 Duo T7500 2.2 GHz processor
- On-board DDR2 memory
 - Up to 4 GB 667 MHz
- Integrated SATA hard drive
 - 320 GB HDD
- CompactFlash® socket for HDD replacement
- Integrated I/O
 - Dual Gigabit Ethernet ports
 - Four USB 2.0 ports
 - Built-in GPIB (IEEE488) controller
 - Two RS-232/422/485 ports
 - DVI-I video connector
 - High definition audio output and input
 - Trigger I/O for advanced PXI trigger functions
- Programmable watchdog timer

Supported Operating System

- Windows 7 x32



PXI-3950 Front Panel

Specifications

Model Name	PXI-3950
Core Features	
CPU	Intel® Core™2 Duo T7500 2.2 GHz
FSB	800 MHz
Chipset	Intel® GME965 Graphic Memory Control HUB Intel® I/O Controller Hub 8 Mobile (ICH8-M)
Memory	4 GB SO-DIMM memory Supports dual-channel DDR2 SDRAM, 667 MHz
Display	
Chipset	Intel® GMA X3100 graphic media accelerator
DVI	Single channel TMDS via SDVO to DVI controller up to 1600 x 1200 resolution @ 60 Hz
CRT	Analog CRT route to DVI-I connector on the faceplate up to 1280 x 1024 resolution
LVDS (For rear I/O only)	Single 18-bit LVDS channel route to rear transition module Supports LCD backlight control
Interface	DVI-I connector for digital or analog video signal outputs
I/O Connectivity	
Ethernet	One 88E8053 + one Intel® 82566 PHY Two RJ-45 connectors with speed/link/active LED on the faceplate
USB	4 x USB 2.0 on the faceplate
GPIB	On-board IEEE488 GPIB controller Micro-D 25-pin connector on the faceplate (ACL-IEEE488-MD1-A cable required)
Serial Port	Two 16C550 UART compatible COM ports on the faceplate Supports RS-232, RS-422 and RS-485, configurable by jumper setting
Audio	Supports high definition audio input/output Two audio jacks on the faceplate for line-in/mic-in and speaker-out
Trigger I/O	SMB connector on the faceplate to route an external trigger signal to/from PXI™ trigger bus
CompactFlash Socket	Type II CF Socket, supporting PIO and DMA modes
Storage	
HDD	320 GB (or greater) SATA hard drive
Mechanical and Environmental	
Dimensions	60.5 mm x 128.7 mm x 213.2 mm (2.35" x 5" x 8.3")
Slot Requirements	1 system slot plus 2 controller expansion slots
Weight	0.9 kg (1.98 lbs)
Operating Temp.	0°C to 50°C (32°F to 122°F)
Storage Temp.	-20°C to 80°C (-4°F to 176°F)
Relative Humidity	5 to 95%, non-condensing
Shock	30 G, half-sine, 11 ms pulse duration
Vibration	Operating: 5 to 500 Hz, 0.21 Grms, 3 axes Non-operating: 5 to 500 Hz, 2.46 Grms, 3 axes
Emissions Compliance	EN 61326-1 FCC Class A
CE Compliance	Immunity: EN 61326-1

Ordering Information

- **PXI-3950**
3U PXI Intel® Core™ 2 Duo T7500 2.2 GHz system controller with 4 GB memory & 320 GB HDD
- **PXI-3950/M2G**
3U PXI Intel® Core™ 2 Duo T7500 2.2 GHz system controller with 2 GB memory & 320 GB HDD

Cable Accessory

- **ACL-IEEE488-MDI-A**
25-pin Micro-D to GPIB Cable, 1 Meter Length