

Manufacturer: National Instruments

Board Assembly Part Numbers (Refer to Procedure 1 for identification procedure):

Part Number and Revision	Description
191764A-0x(L) or later	PXI-5600
193729A-0x or later	PXI-5600
199342A-01(L) or later	PXI-5600

Volatile Memory

<i>Target Data</i>	<i>Type</i>	<i>Size</i>	<i>Battery Backup</i>	<i>User¹ Accessible</i>	<i>System Accessible</i>	<i>Sanitization Procedure</i>
Scan List Memory	SRAM	32 KB	No	No	Yes	Cycle Power
FPGA Distributed Memory	LUTRAM	2,304 B	No	No	Yes	Cycle Power

Non-Volatile Memory (*incl. Media Storage*)

<i>Target Data</i>	<i>Type</i>	<i>Size</i>	<i>Battery Backup</i>	<i>User Accessible</i>	<i>System Accessible</i>	<i>Sanitization Procedure</i>
Device calibration data ²	EEPROM	32 KB	No	No	Yes	None
FPGA and PCI ASIC configuration	EEPROM	8 KB	No	No	Yes	None
FPGA Configuration PLD	FLASH	144 LEs	No	No	No	None

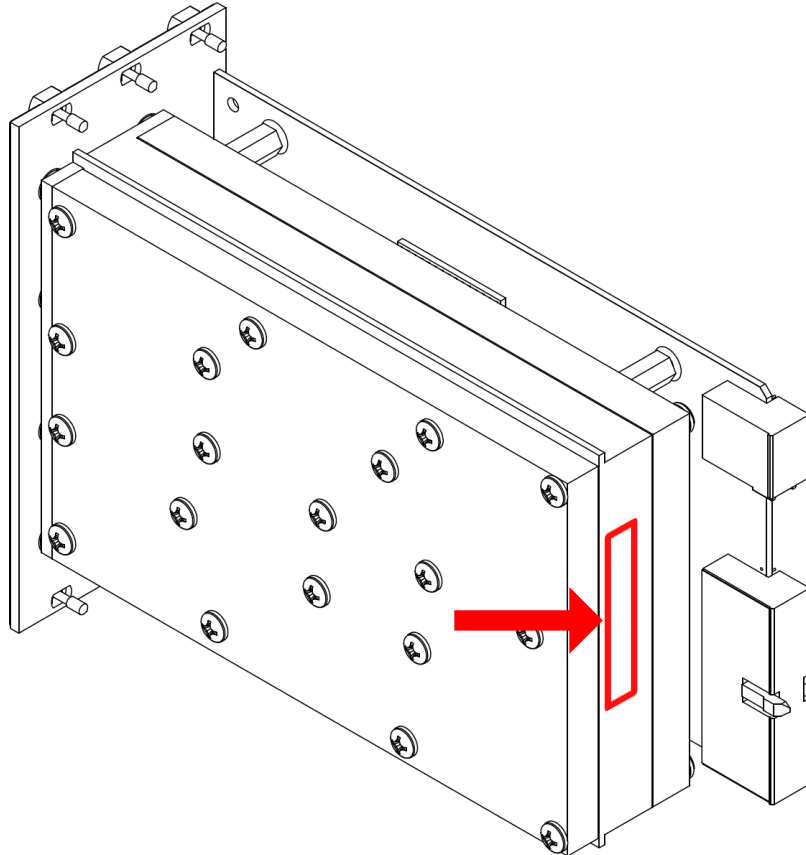
¹ Refer to *Terms and Definitions* section for clarification of *User* and *System Accessible*

² Calibration constants that are stored on the device include information for the device's full operating range. Any implications resulting from partial self-calibration can be eliminated by running the full self-calibration procedure.

Procedures

Procedure 1 –Board Assembly Part Number Identification:

To determine the Board Assembly Part Number and Revision, refer to the label applied to the surface of your product. This label is usually found on the back of the unit as shown in the image below. The Assembly Part Number should be formatted as “191764#-0x” or “191764#-0xL”, or any other part number shown in the Board Assembly Part Numbers table, where “#” is the module letter revision and “x” is a numeric value determining module variant.



Terms and Definitions

Cycle Power:

The process of completely removing power from the device and its components and allowing for adequate discharge. This process includes a complete shutdown of the PC and/or chassis containing the device; a reboot is not sufficient for the completion of this process.

Volatile Memory:

Requires power to maintain the stored information. When power is removed from this memory, its contents are lost. This type of memory typically contains application specific data such as capture waveforms.

Non-Volatile Memory:

Power is not required to maintain the stored information. Device retains its contents when power is removed. This type of memory typically contains information necessary to boot, configure, or calibrate the product or may include device power up states.

User Accessible:

The component is read and/or write addressable such that a user can store arbitrary information to the component from the host using a publicly distributed NI tool, such as a Driver API, the System Configuration API, or MAX.

System Accessible:

The component is read and/or write addressable from the host without the need to physically alter the product.

Clearing:

Per *NIST Special Publication 800-88 Revision 1*, “clearing” is a logical technique to sanitize data in all User Accessible storage locations for protection against simple non-invasive data recovery techniques using the same interface available to the user; typically applied through the standard read and write commands to the storage device.

Sanitization:

Per *NIST Special Publication 800-88 Revision 1*, “sanitization” is a process to render access to “Target Data” on the media infeasible for a given level of effort. In this document, clearing is the degree of sanitization described.