

COMPREHENSIVE SERVICES

We offer competitive repair and calibration services, as well as easily accessible documentation and free downloadable resources.

SELL YOUR SURPLUS

We buy new, used, decommissioned, and surplus parts from every NI series. We work out the best solution to suit your individual needs.

 Sell For Cash  Get Credit  Receive a Trade-In Deal

OBSOLETE NI HARDWARE IN STOCK & READY TO SHIP

We stock **New**, **New Surplus**, **Refurbished**, and **Reconditioned** NI Hardware.



Bridging the gap between the manufacturer and your legacy test system.

 1-800-915-6216

 www.apexwaves.com

 sales@apexwaves.com

All trademarks, brands, and brand names are the property of their respective owners.

Request a Quote

 **CLICK HERE**

PXI-6652

PXI

NI PXI-665x User Manual

Timing and Synchronization Module for PXI

Worldwide Technical Support and Product Information

ni.com

Worldwide Offices

Visit ni.com/niglobal to access the branch office websites, which provide up-to-date contact information, support phone numbers, email addresses, and current events.

National Instruments Corporate Headquarters

11500 North Mopac Expressway Austin, Texas 78759-3504 USA Tel: 512 683 0100

For further support information, refer to the *NI Services* appendix. To comment on National Instruments documentation, refer to the National Instruments website at ni.com/info and enter the Info Code `feedback`.

Legal Information

Limited Warranty

This document is provided 'as is' and is subject to being changed, without notice, in future editions. For the latest version, refer to ni.com/manuals. NI reviews this document carefully for technical accuracy; however, NI MAKES NO EXPRESS OR IMPLIED WARRANTIES AS TO THE ACCURACY OF THE INFORMATION CONTAINED HEREIN AND SHALL NOT BE LIABLE FOR ANY ERRORS.

NI warrants that its hardware products will be free of defects in materials and workmanship that cause the product to fail to substantially conform to the applicable NI published specifications for one (1) year from the date of invoice.

For a period of ninety (90) days from the date of invoice, NI warrants that (i) its software products will perform substantially in accordance with the applicable documentation provided with the software and (ii) the software media will be free from defects in materials and workmanship.

If NI receives notice of a defect or non-conformance during the applicable warranty period, NI will, in its discretion: (i) repair or replace the affected product, or (ii) refund the fees paid for the affected product. Repaired or replaced Hardware will be warranted for the remainder of the original warranty period or ninety (90) days, whichever is longer. If NI elects to repair or replace the product, NI may use new or refurbished parts or products that are equivalent to new in performance and reliability and are at least functionally equivalent to the original part or product.

You must obtain an RMA number from NI before returning any product to NI. NI reserves the right to charge a fee for examining and testing Hardware not covered by the Limited Warranty.

This Limited Warranty does not apply if the defect of the product resulted from improper or inadequate maintenance, installation, repair, or calibration (performed by a party other than NI); unauthorized modification; improper environment; use of an improper hardware or software key; improper use or operation outside of the specification for the product; improper voltages; accident, abuse, or neglect; or a hazard such as lightning, flood, or other act of nature.

THE REMEDIES SET FORTH ABOVE ARE EXCLUSIVE AND THE CUSTOMER'S SOLE REMEDIES, AND SHALL APPLY EVEN IF SUCH REMEDIES FAIL OF THEIR ESSENTIAL PURPOSE.

EXCEPT AS EXPRESSLY SET FORTH HEREIN, PRODUCTS ARE PROVIDED "AS IS" WITHOUT WARRANTY OF ANY KIND AND NI DISCLAIMS ALL WARRANTIES, EXPRESSED OR IMPLIED, WITH RESPECT TO THE PRODUCTS, INCLUDING ANY IMPLIED WARRANTIES OF MERCHANTABILITY, FITNESS FOR A PARTICULAR PURPOSE, TITLE OR NON-INFRINGEMENT, AND ANY WARRANTIES THAT MAY ARISE FROM USAGE OF TRADE OR COURSE OF DEALING. NI DOES NOT WARRANT, GUARANTEE, OR MAKE ANY REPRESENTATIONS REGARDING THE USE OF OR THE RESULTS OF THE USE OF THE PRODUCTS IN TERMS OF CORRECTNESS, ACCURACY, RELIABILITY, OR OTHERWISE. NI DOES NOT WARRANT THAT THE OPERATION OF THE PRODUCTS WILL BE UNINTERRUPTED OR ERROR FREE.

In the event that you and NI have a separate signed written agreement with warranty terms covering the products, then the warranty terms in the separate agreement shall control.

Copyright

Under the copyright laws, this publication may not be reproduced or transmitted in any form, electronic or mechanical, including photocopying, recording, storing in an information retrieval system, or translating, in whole or in part, without the prior written consent of National Instruments Corporation.

National Instruments respects the intellectual property of others, and we ask our users to do the same. NI software is protected by copyright and other intellectual property laws. Where NI software may be used to reproduce software or other materials belonging to others, you may use NI software only to reproduce materials that you may reproduce in accordance with the terms of any applicable license or other legal restriction.

End-User License Agreements and Third-Party Legal Notices

You can find end-user license agreements (EULAs) and third-party legal notices in the following locations:

- Notices are located in the <National Instruments>_Legal Information and <National Instruments> directories.
- EULAs are located in the <National Instruments>\Shared\MDF\Legal\license directory.
- Review <National Instruments>_Legal Information.txt for information on including legal information in installers built with NI products.

U.S. Government Restricted Rights

If you are an agency, department, or other entity of the United States Government ("Government"), the use, duplication, reproduction, release, modification, disclosure or transfer of the technical data included in this manual is governed by the Restricted Rights provisions under Federal Acquisition Regulation 52.227-14 for civilian agencies and Defense Federal Acquisition Regulation Supplement Section 252.227-7014 and 252.227-7015 for military agencies.

Trademarks

Refer to the *NI Trademarks and Logo Guidelines* at ni.com/trademarks for more information on National Instruments trademarks.

ARM, Keil, and μ Vision are trademarks or registered of ARM Ltd or its subsidiaries.

LEGO, the LEGO logo, WEDO, and MINDSTORMS are trademarks of the LEGO Group.

TETRIX by Pitsco is a trademark of Pitsco, Inc.

FIELDBUS FOUNDATION™ and FOUNDATION™ are trademarks of the Fieldbus Foundation.

EtherCAT® is a registered trademark of and licensed by Beckhoff Automation GmbH.

CANopen® is a registered Community Trademark of CAN in Automation e.V.

DeviceNet™ and EtherNet/IP™ are trademarks of ODVA.

Go!, SensorDAQ, and Vernier are registered trademarks of Vernier Software & Technology. Vernier Software & Technology and vernier.com are trademarks or trade dress.

Xilinx is the registered trademark of Xilinx, Inc.

Taprite and Trilobular are registered trademarks of Research Engineering & Manufacturing Inc.

FireWire® is the registered trademark of Apple Inc.

Linux® is the registered trademark of Linus Torvalds in the U.S. and other countries.

Handle Graphics®, MATLAB®, Real-Time Workshop®, Simulink®, Stateflow®, and xPC TargetBox® are registered trademarks, and TargetBox™ and Target Language Compiler™ are trademarks of The MathWorks, Inc.

Tektronix®, Tek, and Tektronix, Enabling Technology are registered trademarks of Tektronix, Inc.

The Bluetooth® word mark is a registered trademark owned by the Bluetooth SIG, Inc.

The ExpressCard™ word mark and logos are owned by PCMCIA and any use of such marks by National Instruments is under license.

The mark LabWindows is used under a license from Microsoft Corporation. Windows is a registered trademark of Microsoft Corporation in the United States and other countries.

Other product and company names mentioned herein are trademarks or trade names of their respective companies.

Members of the National Instruments Alliance Partner Program are business entities independent from National Instruments and have no agency, partnership, or joint-venture relationship with National Instruments.

Patents

For patents covering National Instruments products/technology, refer to the appropriate location: **Help»Patents** in your software, the `patents.txt` file on your media, or the *National Instruments Patent Notice* at ni.com/patents.

Export Compliance Information

Refer to the *Export Compliance Information* at ni.com/legal/export-compliance for the National Instruments global trade compliance policy and how to obtain relevant HTS codes, ECCNs, and other import/export data.

WARNING REGARDING USE OF NATIONAL INSTRUMENTS PRODUCTS

YOU ARE ULTIMATELY RESPONSIBLE FOR VERIFYING AND VALIDATING THE SUITABILITY AND RELIABILITY OF THE PRODUCTS WHENEVER THE PRODUCTS ARE INCORPORATED IN YOUR SYSTEM OR APPLICATION, INCLUDING THE APPROPRIATE DESIGN, PROCESS, AND SAFETY LEVEL OF SUCH SYSTEM OR APPLICATION.

PRODUCTS ARE NOT DESIGNED, MANUFACTURED, OR TESTED FOR USE IN LIFE OR SAFETY CRITICAL SYSTEMS, HAZARDOUS ENVIRONMENTS OR ANY OTHER ENVIRONMENTS REQUIRING FAIL-SAFE PERFORMANCE, INCLUDING IN THE OPERATION OF NUCLEAR FACILITIES; AIRCRAFT NAVIGATION; AIR TRAFFIC CONTROL SYSTEMS; LIFE SAVING OR LIFE SUSTAINING SYSTEMS OR SUCH OTHER MEDICAL DEVICES; OR ANY OTHER APPLICATION IN WHICH THE FAILURE OF THE PRODUCT OR SERVICE COULD LEAD TO DEATH, PERSONAL INJURY, SEVERE PROPERTY DAMAGE OR ENVIRONMENTAL HARM (COLLECTIVELY, "HIGH-RISK USES"). FURTHER, PRUDENT STEPS MUST BE TAKEN TO PROTECT AGAINST FAILURES, INCLUDING PROVIDING BACK-UP AND SHUT-DOWN MECHANISMS. NI EXPRESSLY DISCLAIMS ANY EXPRESS OR IMPLIED WARRANTY OF FITNESS OF THE PRODUCTS OR SERVICES FOR HIGH-RISK USES.

Compliance

Electromagnetic Compatibility Information

This hardware has been tested and found to comply with the applicable regulatory requirements and limits for electromagnetic compatibility (EMC) as indicated in the hardware's Declaration of Conformity (DoC)¹. These requirements and limits are designed to provide reasonable protection against harmful interference when the hardware is operated in the intended electromagnetic environment. In special cases, for example when either highly sensitive or noisy hardware is being used in close proximity, additional mitigation measures may have to be employed to minimize the potential for electromagnetic interference.

While this hardware is compliant with the applicable regulatory EMC requirements, there is no guarantee that interference will not occur in a particular installation. To minimize the potential for the hardware to cause interference to radio and television reception or to experience unacceptable performance degradation, install and use this hardware in strict accordance with the instructions in the hardware documentation and the DoC¹.

If this hardware does cause interference with licensed radio communications services or other nearby electronics, which can be determined by turning the hardware off and on, you are encouraged to try to correct the interference by one or more of the following measures:

- Reorient the antenna of the receiver (the device suffering interference).
- Relocate the transmitter (the device generating interference) with respect to the receiver.
- Plug the transmitter into a different outlet so that the transmitter and the receiver are on different branch circuits.

Some hardware may require the use of a metal, shielded enclosure (windowless version) to meet the EMC requirements for special EMC environments such as, for marine use or in heavy industrial areas. Refer to the hardware's user documentation and the DoC¹ for product installation requirements.

When the hardware is connected to a test object or to test leads, the system may become more sensitive to disturbances or may cause interference in the local electromagnetic environment.

Operation of this hardware in a residential area is likely to cause harmful interference. Users are required to correct the interference at their own expense or cease operation of the hardware.

Changes or modifications not expressly approved by National Instruments could void the user's right to operate the hardware under the local regulatory rules.

¹ The Declaration of Conformity (DoC) contains important EMC compliance information and instructions for the user or installer. To obtain the DoC for this product, visit ni.com/certification, search by model number or product line, and click the appropriate link in the Certification column.

Contents

About This Manual

National Instruments Documentation	ix
Related Documentation	ix

Chapter 1

Introduction

What You Need to Get Started	1-1
Unpacking	1-2
Software Programming Choices	1-2
Safety Information	1-2

Chapter 2

Installing and Configuring

Installing the Software	2-1
Installing the Hardware	2-1
Configuring the Module	2-2

Chapter 3

Hardware Overview

NI PXI-6653 Front Panel	3-4
NI PXI-6652 Front Panel	3-5
NI PXI-6651 Front Panel	3-6
Access LED	3-7
Active LED	3-7
Connectors	3-8
Hardware Features	3-9
Clock Generation	3-10
Direct Digital Synthesis (DDS)	3-10
PXI_CLK10 and OCXO or TCXO	3-11
Routing Signals	3-12
Determining Sources and Destinations	3-14
Using Front Panel PFIs As Inputs	3-15
Using Front Panel PFIs As Outputs	3-15
Using the PXI/RTSI Triggers	3-16
Using the PXI Star Triggers	3-17
Choosing the Type of Routing	3-17
Asynchronous Routing	3-17
Synchronous Routing	3-18
Generating a Single Pulse (Global Software Trigger)	3-19
Using the PXI_CLK10 PLL	3-20

Chapter 4

Calibration

Factory Calibration	4-1
OCXO Frequency	4-1
TCXO Frequency	4-1
PXI_CLK10 Phase	4-1
DDS Start Trigger Phase	4-1
DDS Initial Phase	4-2
Additional Information	4-2

Appendix A

Specifications

Appendix B

NI Services

Glossary

Index

About This Manual

Thank you for purchasing the National Instruments NI PXI-665x Timing and Synchronization Module. The NI PXI-665x enables you to pass PXI timing and trigger signals between two or more PXI chassis. The NI PXI-665x can generate and route clock signals between devices in multiple chassis, providing a method to synchronize multiple devices in a multichassis PXI system.

This manual describes the electrical and mechanical aspects of the NI PXI-665x and contains information concerning its operation and programming.

National Instruments Documentation

The *NI PXI-665x User Manual* is one piece of the documentation set for your measurement system. You could have any of several other documents describing your hardware and software. Use the documentation you have as follows:

- Measurement hardware documentation—This documentation contains detailed information about the measurement hardware that plugs into or is connected to the computer. Use this documentation for hardware installation and configuration instructions, specifications about the measurement hardware, and application hints.
- Software documentation—Refer to the *NI-Sync User Manual*, available at ni.com/manuals.

You can download NI documentation from ni.com/manuals.

Related Documentation

The following documents contain information that you might find helpful as you read this manual:

- *PICMG 2.0 R3.0, CompactPCI Core Specification*, available from PICMG at www.picmg.org
- *PXI Specification*, Revision 2.1, available from www.pxisa.org
- *NI-VISA User Manual*, available from ni.com/manuals
- *NI-VISA Help*, included with the NI-VISA software
- *NI-Sync User Manual*, available from ni.com/manuals
- *NI PXI-665x Calibration Procedure*, available from ni.com/manuals

Introduction

The NI PXI-665x timing and triggering modules enable you to pass PXI timing signals between two or more PXI chassis. The NI PXI-665x modules generate and route clock signals between devices in multiple chassis, providing a method for synchronizing multiple devices in a PXI system.

What You Need to Get Started

To set up and use the NI PXI-665x, you need the following items:

- NI PXI-665x Timing and Triggering Module
- NI PXI-665x User Manual*
- NI-VISA
- NI-Sync* CD
- One of the following software packages and documentation:
 - LabVIEW
 - LabWindows™/CVI™
 - Microsoft Visual C++ (MSVC)
- PXI chassis
- PXI embedded controller or a desktop computer connected to the PXI chassis using MXI-3 hardware

If you are using the NI PXI-665x in a system to synchronize NI PXI-4472, NI PXI-5112, NI PXI-5411, NI PXI-6115, or E Series DAQ modules, you can refer to the *NI-Sync User Manual*, which you can find on the *NI-Sync* CD or download from ni.com/manuals.

Unpacking

The NI PXI-665x is shipped in an antistatic package to prevent electrostatic damage to the module. Electrostatic discharge (ESD) can damage several components on the module.



Caution *Never* touch the exposed pins of connectors.

To avoid such damage in handling the module, take the following precautions:

- Ground yourself using a grounding strap or by touching a grounded object.
- Touch the antistatic package to a metal part of the computer chassis before removing the module from the package.

Remove the module from the package and inspect the module for loose components or any sign of damage. Notify NI if the module appears damaged in any way. Do *not* install a damaged module into the computer.

Store the NI PXI-665x in the antistatic envelope when not in use.

Software Programming Choices

When programming the NI PXI-665x, you can use NI application development environment (ADE) software such as LabVIEW or LabWindows/CVI, or you can use other ADEs such as Visual C/C++.

LabVIEW features interactive graphics, a state-of-the-art interface, and a powerful graphical programming language. The LabVIEW Data Acquisition VI Library, a series of virtual instruments for using LabVIEW with National Instruments DAQ hardware, is included with LabVIEW.

LabWindows/CVI is a complete ANSI C ADE that features an interactive user interface, code generation tools, and the LabWindows/CVI Data Acquisition and Easy I/O libraries.

Safety Information

The following section contains important safety information that you *must* follow when installing and using the product.

Do *not* operate the product in a manner not specified in this document. Misuse of the product can result in a hazard. You can compromise the safety protection built into the product if the product is damaged in any way. If the product is damaged, return it to National Instruments for repair.

Do *not* substitute parts or modify the product except as described in this document. Use the product only with the chassis, modules, accessories, and cables specified in the installation instructions. You *must* have all covers and filler panels installed during operation of the product.

Do *not* operate the product in an explosive atmosphere or where there may be flammable gases or fumes. If you must operate the product in such an environment, it must be in a suitably rated enclosure.

If you need to clean the product, use a soft, nonmetallic brush. The product *must* be completely dry and free from contaminants before you return it to service.

Operate the product only at or below Pollution Degree 2. Pollution is foreign matter in a solid, liquid, or gaseous state that can reduce dielectric strength or surface resistivity. The following is a description of pollution degrees:

- Pollution Degree 1 means no pollution or only dry, nonconductive pollution occurs. The pollution has no influence.
- Pollution Degree 2 means that only nonconductive pollution occurs in most cases. Occasionally, however, a temporary conductivity caused by condensation must be expected.
- Pollution Degree 3 means that conductive pollution occurs, or dry, nonconductive pollution occurs that becomes conductive due to condensation.

You *must* insulate signal connections for the maximum voltage for which the product is rated. Do *not* exceed the maximum ratings for the product. Do not install wiring while the product is live with electrical signals. Do not remove or add connector blocks when power is connected to the system. Avoid contact between your body and the connector block signal when hot swapping modules. Remove power from signal lines before connecting them to or disconnecting them from the product.

Operate the product at or below the measurement category¹ marked on the hardware label. Measurement circuits are subjected to working voltages² and transient stresses (overvoltage) from the circuit to which they are connected during measurement or test. Measurement categories establish standard impulse withstand voltage levels that commonly occur in electrical distribution systems. The following is a description of measurement categories:

- Measurement Category I is for measurements performed on circuits not directly connected to the electrical distribution system referred to as MAINS³ voltage. This category is for measurements of voltages from specially protected secondary circuits. Such voltage measurements include signal levels, special hardware, limited-energy parts of hardware, circuits powered by regulated low-voltage sources, and electronics.
- Measurement Category II is for measurements performed on circuits directly connected to the electrical distribution system (MAINS³). This category refers to local-level electrical distribution, such as that provided by a standard wall outlet (for example, 115 AC voltage

¹ Measurement categories, also referred to as overvoltage or installation categories, are defined in electrical safety standard IEC 61010-1 and IEC 60664-1.

² Working voltage is the highest rms value of an AC or DC voltage that can occur across any particular insulation.

³ MAINS is defined as a hazardous live electrical supply system that powers hardware. Suitably rated measuring circuits may be connected to the MAINS for measuring purposes.

for U.S. or 230 AC voltage for Europe). Examples of Measurement Category II are measurements performed on household appliances, portable tools, and similar hardware.

- Measurement Category III is for measurements performed in the building installation at the distribution level. This category refers to measurements on hard-wired hardware such as hardware in fixed installations, distribution boards, and circuit breakers. Other examples are wiring, including cables, bus bars, junction boxes, switches, socket outlets in the fixed installation, and stationary motors with permanent connections to fixed installations.
- Measurement Category IV is for measurements performed at the primary electrical supply installation typically outside buildings. Examples include electricity meters and measurements on primary overcurrent protection devices and on ripple control units.

Installing and Configuring

This chapter describes how to install the NI PXI-665x hardware and software and how to configure the device.

Installing the Software

Refer to the `readme.htm` file that accompanies the *NI-Sync* CD for software installation directions.



Note Be sure to install the driver software *before* installing the NI PXI-665x hardware.

Installing the Hardware

The following are general installation instructions. Consult the chassis user manual or technical reference manual for specific instructions and warnings about installing new modules.

1. Power off and unplug the chassis.
2. Choose an available PXI slot in the PXI chassis.



Note The NI PXI-665x is usually installed in Slot 2.

3. Remove the filler panel for the PXI slot you chose in step 2.
4. Ground yourself using a grounding strap or by touching a grounded object. Follow the ESD protection precautions described in the *Unpacking* section of Chapter 1, *Introduction*.
5. Insert the NI PXI-665x into the PXI slot. Use the injector/ejector handle to fully insert the module into the chassis.
6. Screw the front panel of the device to the front panel mounting rail of the chassis.
7. Visually verify the installation. Make sure the module is not touching other modules or components and is fully inserted into the slot.
8. Plug in and power on the chassis.

The NI PXI-665x is now installed.

Configuring the Module

The NI PXI-665x is completely software configurable. The system software automatically allocates all module resources.

The two LEDs on the front panel provide information about module status. The front panel description sections of Chapter 3, [Hardware Overview](#), describe the LEDs in greater detail.

Hardware Overview

This chapter presents an overview of the hardware functions of the NI PXI-6653, NI PXI-6652, and NI PXI-6651. Figure 3-1 provides a functional overview of the NI PXI-6653 and NI PXI-6652 hardware. Figure 3-2 provides a functional overview of the NI PXI-6651 hardware.

Figure 3-1. Functional Overview of the NI PXI-6653 and NI PXI-6652

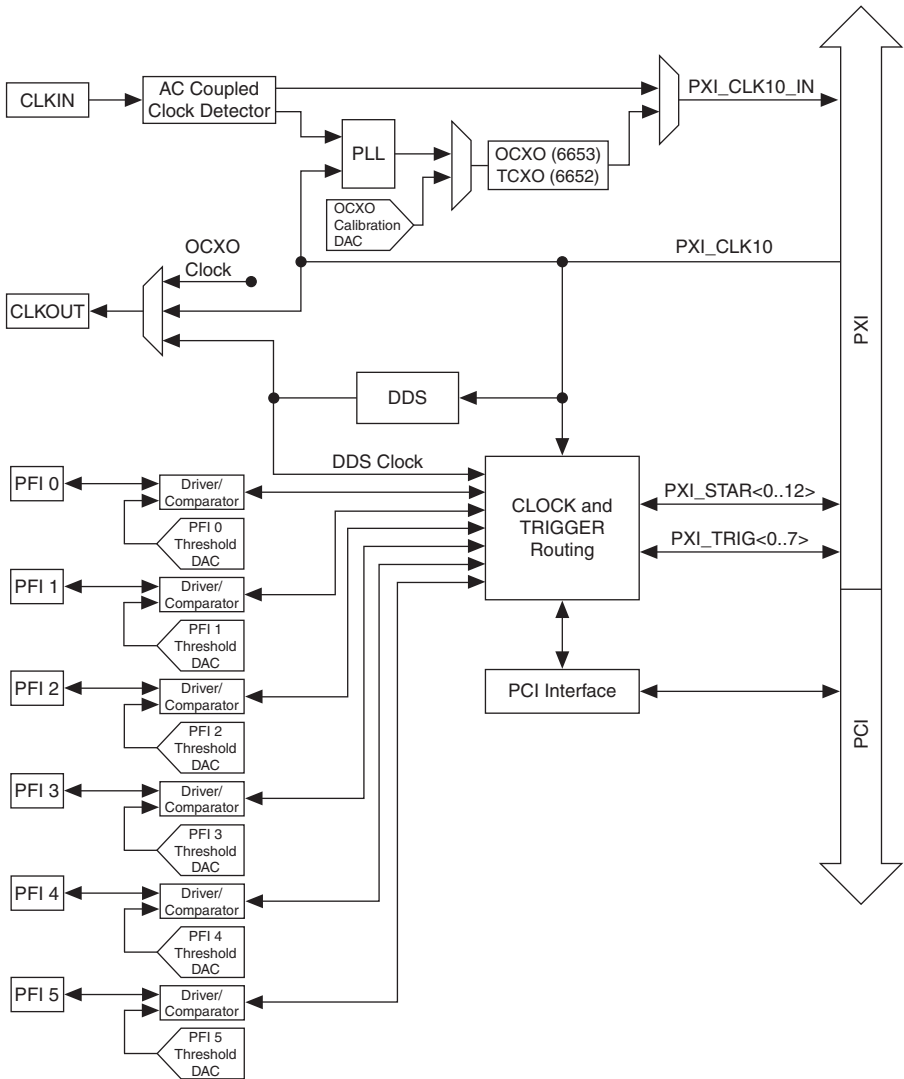
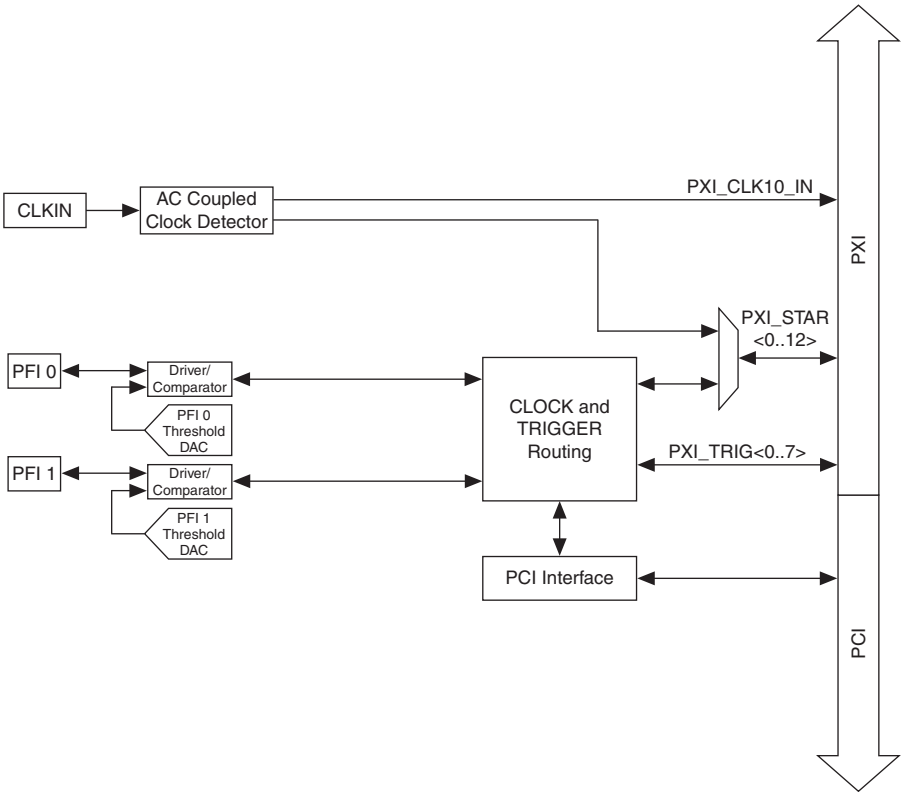


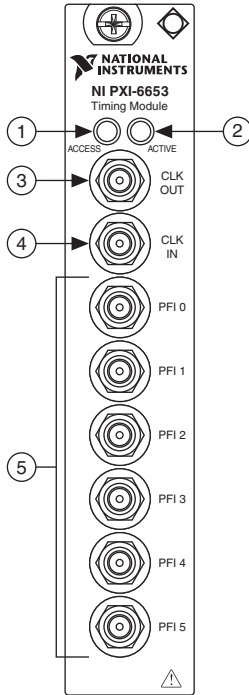
Figure 3-2. Functional Overview of the NI PXI-6651



NI PXI-6653 Front Panel

Figure 3-3 shows the connectors and LEDs on the front panel of the NI PXI-6653.

Figure 3-3. NI PXI-6653 Front Panel



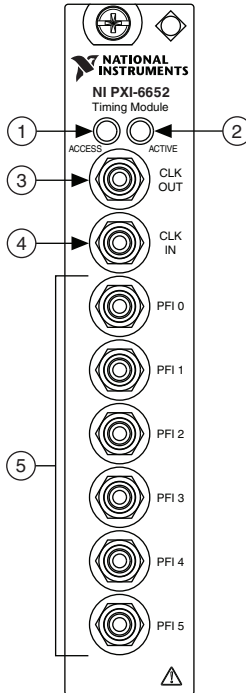
- 1 Access LED
- 2 Active LED
- 3 CLKOUT Connector

- 4 CLKIN Connector
- 5 PFI <0..5> Connectors

NI PXI-6652 Front Panel

Figure 3-4 shows the connectors and LEDs on the front panel of the NI PXI-6652.

Figure 3-4. NI PXI-6652 Front Panel

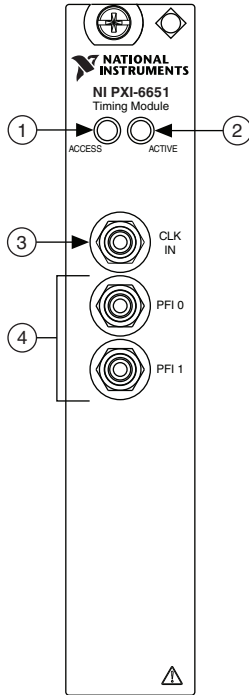


- | | | | |
|---|------------------|---|-----------------------|
| 1 | Access LED | 4 | CLKIN Connector |
| 2 | Active LED | 5 | PFI <0..5> Connectors |
| 3 | CLKOUT Connector | | |

NI PXI-6651 Front Panel

Figure 3-5 shows the connectors and LEDs on the front panel of the NI PXI-6651.

Figure 3-5. NI PXI-6651 Front Panel



- 1 Access LED
- 2 Active LED

- 3 CLKIN Connector
- 4 PFI <0..1> Connectors

Access LED

The Access LED indicates the communication status of the NI PXI-665x. Refer to Figures 3-3, 3-4, and 3-5 for the location of the Access LED.

Table 3-1 summarizes what the Access LED colors represent.

Table 3-1. Access LED Color Indication

Color	Status
Off	Module is not yet functional.
Green	Driver has initialized the module.
Amber	Module is being accessed. The Access LED flashes amber for 50 ms when the module is accessed.

Active LED

The Active LED can indicate an error or phase-locked loop (PLL) activity. You can change the Active LED to amber, unless an error overrides the selection. Refer to Figures 3-3, 3-4, and 3-5 for the location of the Active LED.



Tip Changing the Active LED color to amber is helpful when you want to identify devices in a multichassis situation or when you want an indication that your application has reached a predetermined section of the code.

Table 3-2 illustrates the meaning of each Active LED color.

Table 3-2. Active LED Color Quick Reference Table

Color	PXI_CLK10 Stopped	PLL Error	User Setting	PLL Active
Red	Yes	Yes	—	—
Amber	No	No	Yes	—
Green	No	No	No	Yes
Off	No	No	No	No



Note A red Active LED can indicate that either PXI_CLK10 has stopped or that there is a PLL error.

Connectors

This section describes the connectors on the front panel of the NI PXI-665x.

- **CLKIN**—Clock Input. This connector supplies the module with a clock that can be programmatically routed to the onboard PLL for use as a reference or routed directly to the PXI backplane (PXI_CLK10_IN) for distribution to the other modules in the chassis.
- **CLKOUT** (NI PXI-6653 and NI PXI-6652 only)—Clock Output. This connector is used to source a clock that can be routed programmatically from the oven-controlled crystal oscillator (OCXO) or temperature-compensated crystal oscillator (TCXO), direct digital synthesis (DDS), or backplane clock (PXI_CLK10).
- **PFI <0..5>**—Programmable Function Interface <0..5>. (The NI PXI-6651 supports only PFI 0..1.) These connectors can be used for either input or output. Additionally, **PFI 0** can be used as a clock input for internally synchronizing other signals. Refer to the [Synchronous Routing](#) section for more information about this functionality. You can program the behavior of these PFI connections individually.

Refer to Figures 3-3, 3-4, and 3-5 for diagrams showing the locations of these connections on the NI PXI-665x front panel.



Caution Connections that exceed any of the maximum ratings of input or output signals on the NI PXI-665x can damage the module and the computer. NI is *not* liable for any damage resulting from such signal connections.

Hardware Features

The NI PXI-6653 and NI PXI-6652 perform two broad functions:

- Generating clock and trigger signals
- Routing internally or externally generated signals from one location to another

The NI PXI-6651 is primarily a slave module and can only route externally generated signals. Table 3-3 outlines the function and direction of the signals discussed in detail in the remainder of this chapter.

Table 3-3. Signal Descriptions

Signal Name	Direction	Description
PXI_CLK10_IN	Out	This is a signal that can replace the native 10 MHz oscillator on the PXI backplane. PXI_CLK10_IN may originate from the onboard OCXO or TCXO or from an external source.
PXI_CLK10	In	This signal is the PXI 10 MHz backplane clock. By default, this signal is the output of the native 10 MHz oscillator in the chassis. An NI PXI-665x in Slot 2 can replace this signal with PXI_CLK10_IN.
OCXO Clock (NI PXI-6653) or TCXO Clock (NI PXI-6652)	Out	This is the output of the 10 MHz OCXO or TCXO. The OCXO and TCXO are extremely stable and accurate frequency sources.
CLKIN	In	CLKIN is a signal connected to the SMB input pin of the same name. CLKIN can serve as PXI_CLK10_IN or be used as a phase lock reference for the OCXO and TCXO.
CLKOUT (NI PXI-6653 and NI PXI-6652 only)	Out	CLKOUT is the signal on the SMB output pin of the same name. Either the OCXO clock, TCXO clock, DDS clock, or PXI_CLK10 may be routed to this location.
DDS Clock (NI PXI-6653 and NI PXI-6652 only)	Out	This is the output of the NI PXI-6653 or NI PXI-6652 DDS. The DDS frequency can be programmed with fine granularity from 1 Hz to 105 MHz. The DDS chip automatically phase-locks to PXI_CLK10.

Table 3-3. Signal Descriptions (Continued)

Signal Name	Direction	Description
PXI_STAR <0..12>	In/Out	The PXI star trigger bus connects Slot 2 to Slot <3..15> in a star configuration. The electrical paths of each star line are closely matched to minimize intermodule skew. An NI PXI-665x in Slot 2 can route signals to Slots <3..15> using the star trigger bus.
PFI <0..5>	In/Out	The Programmable Function Interface pins on the NI PXI-665x route timing and triggering signals between multiple PXI chassis. A wide variety of input and output signals can be routed to or from the PFI lines.
PXI_TRIG <0..7>	In/Out	The PXI trigger bus consists of eight digital lines shared among all slots in the PXI chassis. The NI PXI-665x can route a wide variety of signals to and from these lines. Note: PXI_TRIG <0..5> are also known as RTSI <0..5> in some hardware devices and APIs. However, PXI_TRIG <6..7> are <i>not</i> identical to RTSI <6..7>.

The remainder of this chapter describes how these signals are used, acquired, and generated by the NI PXI-665x hardware, and explains how you can route the signals between various locations to synchronize multiple measurement devices and PXI chassis.

Clock Generation

The NI PXI-6653 and NI PXI-6652 can generate two types of clock signals. The first clock is generated using the onboard DDS chip, and the second is generated with a precise 10 MHz oscillator. The following sections describe the two types of clock generation and explain the considerations for choosing either type.

Direct Digital Synthesis (DDS)

DDS is a method of generating a clock with programmable frequency. DDS consists of a frequency tuning word, an accumulator, a sine-lookup table, a D/A converter (DAC), and a comparator.

The frequency tuning word is a number that specifies the desired frequency. Each master clock cycle, the frequency tuning word is added to the accumulator, which rolls over when it gets to its maximum value. The accumulator value is used to get a point in the sine-lookup table, which is converted to an analog voltage by the DAC. For example, if the sine table is 128 points long,

and the frequency tuning word is one, the accumulator takes 128 clock cycles to output one sine wave. If you change the frequency tuning word to 3, the accumulator steps through the sine table three times as fast, and outputs a sine wave in $128/3$, or 42.6, clock cycles.

The output of the DAC is run through an analog filter to smooth the sine wave. The filtered output is then run through a comparator, which changes the output to a square wave with the specified frequency.

You can specify the programmable DDS frequency on the NI PXI-6653 and NI PXI-6652 with a precision of approximately 1 μ Hz within the range 1 Hz to 105 MHz. The accuracy of the frequency depends on the PXI_CLK10 reference clock, so a precise 10 MHz source improves the accuracy of the DDS output. You can replace the 10 MHz clock with the OCXO for more accurate DDS timing.

PXI_CLK10 and OCXO or TCXO

The NI PXI-6653 features a precision 10 MHz OCXO. The NI PXI-6652 features a precision 10 MHz TCXO. The frequency accuracy of this clock is several orders of magnitude greater than the frequency accuracy of the native 10 MHz PXI backplane clock (PXI_CLK10).

The main source of error in most frequency reference oscillators is temperature variation. The OCXO houses the oscillator circuit inside a sealed oven. A resistive heater and automatic feedback circuit maintain a precisely controlled operating temperature for the oscillator. This temperature-control scheme minimizes frequency error to low enough levels that other sources of error become considerable. The user can do two things to help mitigate these other error sources and achieve the best possible performance from the OCXO:

1. Use a chassis that has as little variance in the 5 V supply as possible. The OCXO has an error of 1 ppb for every 1% of inaccuracy in the voltage level of the 5 V supply. The *CompactPCI Specification* requires all chassis to regulate the 5 V supply to -3% to +5% which results in a -3 ppb to +5 ppb possible error referenced to 5 V. Improved performance can be obtained by using a chassis that specifies a tighter accuracy on the 5 V supply. NI recommends using the NI PXI-1044 or NI PXI-1045 chassis as they have tighter power supply regulation performance.
2. Avoid power-cycling the OCXO. The longer the OCXO is consistently powered, the more stable the aging rate will be.

For the tightest performance requirements, the OCXO can be calibrated by the user in the same system in which the NI PXI-6653 is normally used. Doing so will calibrate out error from the power supply variance and, if done at the normal operating temperature, reduce the error from temperature variance. Refer to the *NI PXI-665x Calibration Procedure* for more information on calibrating the OCXO.

The TCXO contains circuitry to measure the temperature of the oscillator. It uses the temperature to adjust its frequency output according to the crystal's known frequency variation across its operating temperature range.

An NI PXI-6653 or NI PXI-6652 module in Slot 2 of a PXI chassis can replace the native PXI 10 MHz backplane frequency reference clock (PXI_CLK10) with the more stable and accurate output of the OCXO or TCXO. All other PXI modules in the chassis that reference the 10 MHz backplane clock benefit from this more accurate frequency reference. Furthermore, the DDS chip on the NI PXI-6653 or NI PXI-6652 references its output to the backplane clock and also takes advantage of the superior OCXO or TCXO accuracy. The OCXO or TCXO does not automatically replace the native 10 MHz clock; this feature must be explicitly enabled in software. The OCXO or TCXO output also can be routed out to the **CLKOUT** connector.

In addition to replacing the native backplane clock directly, the OCXO or TCXO can phase lock to an external frequency source. This operation is discussed in detail in the [Using the PXI_CLK10 PLL](#) section.

Routing Signals

The NI PXI-665x has versatile trigger routing capabilities. It can route signals to and from the front panel, the PXI star triggers, and the PXI/RTSI triggers.

The NI PXI-665x also can route a 10 MHz clock from **CLKIN** to the PXI 10 MHz reference clock. The NI PXI-6653 and NI PXI-6652 can lock the OCXO or TCXO to an external reference clock and send that to the PXI 10 MHz reference clock. The NI PXI-6653 and NI PXI-6652 can route the OCXO, TCXO, DDS, or PXI 10 MHz reference clock to **CLKOUT**.

Figures 3-6 and 3-7 summarize the routing features of the NI PXI-6653 and NI PXI-6652. The remainder of this chapter details the capabilities and constraints of the routing architecture.

Figure 3-6. High-Level Schematic of NI PXI-6653 and NI PXI-6652 Signal Routing Architecture

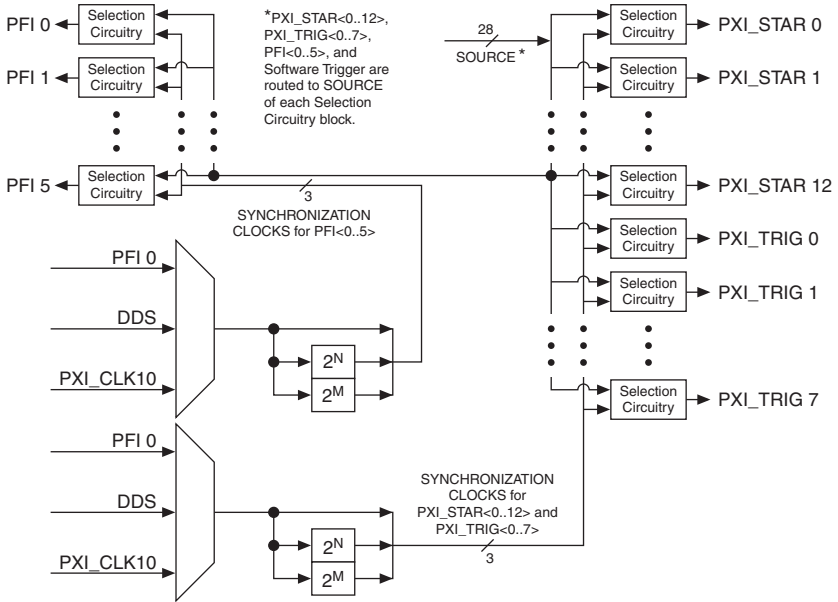
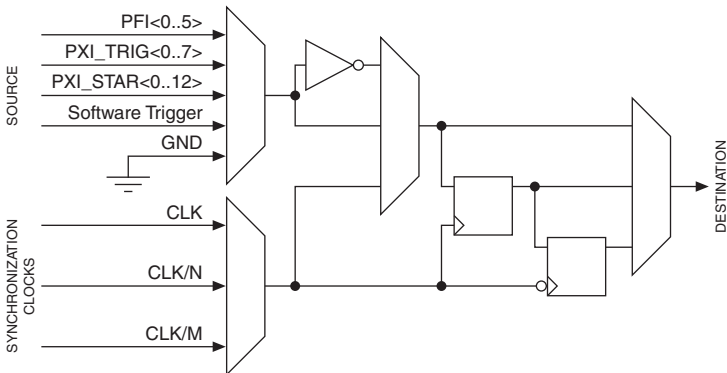


Figure 3-7 provides a more detailed view of the *Selection Circuitry* referenced in Figure 3-6.

Figure 3-7. Signal Selection Circuitry Diagram



Determining Sources and Destinations

All signal routing operations can be characterized by a *source* (input) and a *destination*. In addition, synchronous routing operations must also define a third signal known as the *synchronization clock*. Refer to the [Choosing the Type of Routing](#) section for more information on synchronous versus asynchronous routing.

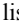
Table 3-4 summarizes the sources and destinations of the NI PXI-665x. The destinations are listed in the horizontal heading row, and the sources are listed in the column at the far left. A  in a cell indicates that the source and destination combination defined by that cell is a valid routing combination.

Table 3-4. Sources and Destinations for NI PXI-665x Signal Routing Operations

		Destinations						
		Front Panel		Backplane			Onboard	
Sources	Front Panel		CLKOUT	PFI <0..5>	PXI_CLK10_IN	PXI_Star Trigger <0..12>	RTSI/PXI TRIG <0..7>	OCXO/TCXO Reference PLL
		CLKIN	✓†	✓†	✓	✓	✓†	✓
		PFI <0..5> (NI PXI-6651 0..1 Only)		✓		✓	✓	
	Backplane	PXI_CLK10	✓	✓		✓	✓	
		PXI_STAR <0..12>		✓		✓	✓	
		RTSI/PXI TRIG <0..7>		✓		✓	✓	
	Onboard	OCXO or TCXO (NI PXI-6653 and NI PXI-6652 Only)	✓	✓†	✓	✓†	✓†	
		DDS (NI PXI-6653 and NI PXI-6652 Only)	✓	✓		✓	✓	
		Global Software Trigger		✓		✓	✓	
	† Can be accomplished in two stages by routing source to PXI_CLK10_IN, replacing PXI_CLK10 with PXI_CLK10_IN (occurs automatically in most chassis), and then routing PXI_CLK10 to the destination. The source must be 10 MHz.							

Using Front Panel PFIs As Inputs

The front-panel PFIs can receive external signals from 0 to +5 V. They can be terminated programmatically with 50 Ω resistances to match the cable impedance and minimize reflections.



Note Terminating the signals with a 50 Ω resistance is recommended when the source is another NI PXI-665x or any other source with a 50 Ω output.

The voltage thresholds for the front-panel PFI inputs are programmable. The input signal is generated by comparing the input voltage on the PFI connectors to the voltage output of software-programmable DACs. The thresholds for the PFI lines are individually programmable, which is useful if you are importing signals from multiple sources with different voltage swings. The front panel PFI inputs can be routed to any PXI star triggers, PXI/RTSI triggers, or other front panel PFI outputs.

Using Front Panel PFIs As Outputs

The front panel PFI outputs are +3.3 V drivers with 50 Ω output impedance. The outputs can drive 50 Ω loads, such as a 50 Ω coaxial cable with a 50 Ω receiver. This cable configuration is the recommended setup to minimize reflections. With this configuration, the receiver sees a single +1.6 V step—a +3.3 V step split across the 50 Ω resistors at the source and the destination.

You also can drive a 50 Ω cable with a high-impedance load. The destination sees a single step to +3.3 V, but the source sees a reflection. This cable configuration is acceptable for low-frequency signals or short cables. You can select the signal source from the front panel triggers (PFI <0..5>), the PXI star triggers, the PXI/RTSI triggers, or the synchronization clock (PXI_CLK10, the DDS clock, or PFI 0). The synchronization clock concept is explained in more detail in the [Choosing the Type of Routing](#) section.

You can independently select the output signal source for each PFI line from one of the following sources:

- Another PFI <0..5>
- PXI/RTSI triggers <0..7> (PXI_TRIG <0..7>)
- PXI_STAR <0..12>
- Global software trigger
- PFI synchronization clock

The PFI synchronization clock may be any of the following signals:

- DDS clock
- PXI_CLK10
- PFI 0 Input
- Any of the previously listed signals divided by the first frequency divider (2^n , up to 512)
- Any of the previously listed signals divided by the second frequency divider (2^m , up to 512)

Refer to the [Choosing the Type of Routing](#) section for more information on the synchronization clock.



Note The PFI synchronization clock is the same for all routing operations in which PFI <0..5> is defined as the output, although the divide-down ratio for this clock (full rate, first divider, second divider) may be chosen on a per route basis.

Using the PXI/RTSI Triggers

The PXI/RTSI triggers go to all the slots in the chassis. All modules receive the same PXI/RTSI triggers, so PXI/RTSI trigger 0 is the same for Slot 2 as it is for Slot 3, and so on. This feature makes the PXI/RTSI triggers convenient in situations where you want, for instance, to start an acquisition on several devices at the same time because all modules will receive the same trigger.

The frequency on the PXI/RTSI triggers should not exceed 20 MHz to preserve signal integrity. The signals do not reach each slot at precisely the same time. A difference of several nanoseconds between slots can occur in an eight-slot chassis. However, this delay is not a problem for many applications. You can route signals to the PXI/RTSI triggers from PFI <0..5>, from the PXI star triggers, or from other PXI/RTSI triggers. You also can route PXI_CLK10 or the DDS clock to a PXI/RTSI trigger line (PXI_TRIG <0..7>) using the synchronization clock.

You can independently select the output signal source for each PXI/RTSI trigger line from one of the following sources:

- PFI <0..5>
- Another PXI/RTSI trigger <0..7> (PXI_TRIG <0..7>)
- PXI_STAR <0..12>
- Global software trigger
- PXI_Trig/PXI_Star synchronization clock

The PXI_Trig/PXI_Star synchronization clock may be any of the following signals:

- DDS clock
- PXI_CLK10
- PFI 0 Input
- Any of the previously listed signals divided by the first frequency divider (2^n , up to 512)
- Any of the previously listed signals divided by the second frequency divider (2^m , up to 512)

Refer to the [Choosing the Type of Routing](#) section for more information about the synchronization clock.



Note The PXI_Trig/PXI_Star synchronization clock is the same for all routing operations in which PXI_TRIG <0..7> or PXI_STAR <0..12> is defined as the output, although the divide-down ratio for this clock (full rate, first divider, second divider) may be chosen on a per route basis.

Using the PXI Star Triggers

There are up to 13 PXI star triggers per chassis. Each trigger line is a dedicated connection between Slot 2 and one other slot. The *PXI Specification*, Revision 2.1, requires that the propagation delay along each star trigger line be matched to within 1 ns. A typical upper limit for the skew in most NI PXI chassis is 500 ps. The low skew of the PXI star trigger bus is useful for applications that require triggers to arrive at several modules nearly simultaneously.

The star trigger lines are bidirectional, so signals can be sent to Slot 2 from a module in another slot or from Slot 2 to the other module.

You can independently select the output signal source for each PXI star trigger line from one of the following sources:

- PFI <0..5>
- PXI/RTSI triggers <0..7> (PXI_TRIG <0..7>)
- Another PXI star trigger line (PXI_STAR <0..12>)
- Global software trigger
- PXI_Trig/PXI_Star synchronization clock

Refer to the [Using the PXI/RTSI Triggers](#) section for more information on the PXI_Trig/PXI_Star synchronization clock.

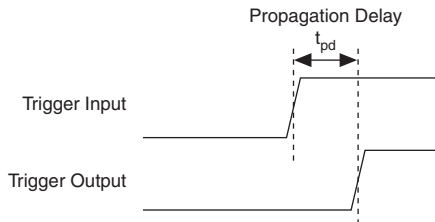
Choosing the Type of Routing

The NI PXI-665x routes signals in one of two ways: asynchronously or synchronously. The following sections describe the two routing types and the considerations for choosing each type.

Asynchronous Routing

Asynchronous routing is the most straightforward method of routing signals. Any asynchronous route can be defined in terms of two signal locations: a source and a destination. A digital pulse or train comes in on the source and is propagated to the destination. When the source signal goes from low to high, this rising edge is transferred to the destination after a propagation delay through the module. Figure 3-8 illustrates an asynchronous routing operation.

Figure 3-8. Asynchronous Routing Operation



Some delay is always associated with an asynchronous route, and this delay varies among NI PXI-665x modules, depending on variations in temperature and chassis voltage. Typical

delay times in the NI PXI-665x for asynchronous routes between various sources and destinations are given in Appendix A, *Specifications*.

Asynchronous routing works well if the total system delays are not too long for the application. Propagation delay could be caused by the following reasons:

- Output delay on the source
- Propagation delay of the signal across the backplane(s) and cable(s)
- Propagation delay of the signal through the NI PXI-665x
- Time for the receiver to recognize the signal

Both the source and the destination of an asynchronous routing operation on the NI PXI-665x can be any of the following lines:

- Any front panel PFI pin (PFI <0..5)
- Any PXI star trigger line (PXI_STAR <0..12>)
- Any PXI/RTSI trigger line (PXI_TRIG <0..7>)

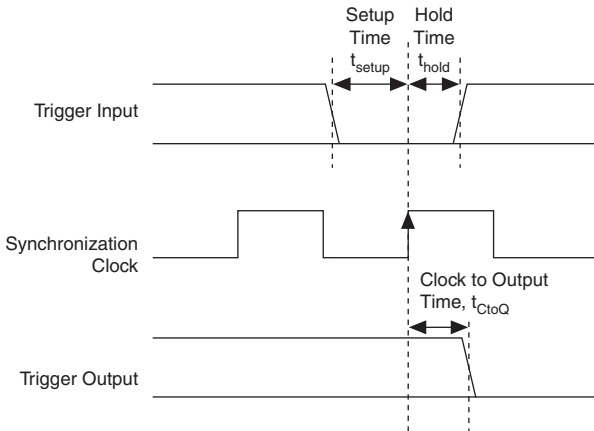
Synchronous Routing

A synchronous routing operation is defined in terms of three signal locations: a source, a destination, and a *synchronization clock*. A digital signal comes in on the source and is propagated to the destination after the edge has been realigned with the synchronization clock.

Unlike asynchronous routing, the output of a synchronous routing operation does not directly follow the input after a propagation delay. Instead, the output waits for the next rising edge of the clock before it follows the input. Thus, the output is said to be “synchronous” with this clock.

Figure 3-9 shows a timing diagram that illustrates synchronous routing.

Figure 3-9. Synchronous Routing Operation



Synchronous routing can send triggers to several places in the same clock cycle or send the trigger to those same places after a deterministic skew of a known number of clock cycles. If a signal arrives at two chassis within the same clock cycle, each NI PXI-665x realigns the signal with the synchronization clock and distributes it to the modules in each chassis at the same time. Synchronous routing can thus remove uncertainty about when triggers are received. If the delays through the system are such that an asynchronous trigger might arrive near the edge of the receiver clock, the receiver might see the signal in the first clock cycle, or it might see it in the second clock cycle. However, by synchronizing the signal, you can eliminate the ambiguity, and the signal will always be seen in the second clock cycle.

One useful feature of synchronous routing is that the signal can be propagated on either the rising or falling edge of the synchronization clock. In addition, the polarity of the destination signal can be inverted, which is useful when handling active-low digital signals.

Possible sources for synchronous routing include the following sources:

- Any front panel PFI pin
- Any PXI star trigger line (PXI_STAR <0..12>)
- Any PXI/RTSI trigger line (PXI_TRIG <0..7>)
- Global software trigger
- The synchronization clock itself



Note The possible destinations for a synchronous route are identical to those for an asynchronous route. The destinations include any front panel PFI pin, any PXI star trigger line, or any PXI/RTSI trigger line.

The synchronization clock for a synchronous route can be any of the following signals:

- 10 MHz PXI backplane clock signal
- DDS clock on the NI PXI-6653 or NI PXI-6652
- Front panel PFI 0 Input
- One of two “divided copies” of any of the previously listed three signals. The NI PXI-665x includes two clock-divider circuits that can divide the synchronization clock signals by any power of 2 up to 512.

Refer to Figures 3-6 and 3-7 for an illustration of how the NI PXI-665x performs synchronous routing operations.

Generating a Single Pulse (Global Software Trigger)

The global software trigger is a single pulse with programmable delay that is fired on a software command. This signal is always routed synchronously with a clock. Therefore, asynchronous routing is not supported when the signal source is the global software trigger.

The software trigger can be delayed by up to 15 clock cycles on a per route basis. This feature is useful if a single pulse must be sent to several destinations with significantly different

propagation delays. By delaying the pulse on the routes with shorter paths, you can compensate for the propagation delay. An example of such a situation would be when a trigger pulse must arrive nearly simultaneously at the local backplane and the backplane of another chassis separated by 50 m of coaxial cable.

Using the PXI_CLK10 PLL

A module in Slot 2 of a PXI chassis can replace the PXI_CLK10 reference clock. The NI PXI-665x offers three options for this replacement. This section describes each option.

- The first option is to replace PXI_CLK10 directly with the OCXO output on the NI PXI-6653 or TCXO output on the NI PXI-6652. This oscillator is a more stable and accurate reference than the native backplane clock.
- The second option is to route a 10 MHz clock directly from the front panel to PXI_CLK10_IN, which is the pin on the backplane that will replace PXI_CLK10. There is a delay through the module, as well as a distribution delay on the backplane. These delays tend to be similar for chassis of the same model, so routing the same clock to a pair of chassis usually matches PXI_CLK10 to within a few nanoseconds.
- The third option is to employ the NI PXI-6653 or NI PXI-6652 PLL circuitry for the OCXO or TCXO. As in option 1, the output of the OCXO or TCXO replaces the native 10 MHz signal. However, this scheme also requires an input signal on **CLKIN**. This signal must be a stable clock, and its frequency must be a multiple of 1 MHz (5 MHz or 13 MHz, for example). The PLL feedback circuit generates a voltage proportional to the phase difference between the reference input on PXI_CLK10 and the output of the OCXO or TCXO. This PLL voltage output then tunes the output frequency of the OCXO or TCXO. As long as the incoming signal is a stable 1 MHz frequency multiple, the PLL circuit quickly locks the OCXO or TCXO to the reference, eliminating all phase drift between the two signals.

Using the PLL provides several advantages over the other two options for replacing the PXI backplane clock:

- CLKIN is not required to be 10 MHz. If you have a stable reference that is a multiple of 1 MHz, such as 13 or 5 MHz, you can frequency-lock the chassis to it.
- If CLKIN stops or becomes disconnected, PXI_CLK10 is still present in the chassis.
- If CLKIN is 10 MHz, the NI PXI-6653 or NI PXI-6652 can compensate for distribution delays in the backplane. The feedback in the PLL comes from PXI_CLK10. This PLL makes it possible for the NI PXI-6653 or NI PXI-6652 to align clock edges at CLKIN with the edges of PXI_CLK10 that the modules receive. If you split an external (accurate) 10 MHz reference and route it to two chassis, they can both lock to it. The result is a tighter synchronization of PXI_CLK10 on the chassis.

Calibration

This chapter discusses the calibration of the NI PXI-665x.

Calibration consists of verifying the measurement accuracy of a device and correcting for any measurement error. The NI PXI-665x is factory calibrated before shipment at approximately 25 °C to the levels indicated in Appendix A, *Specifications*. The associated calibration constants—the corrections that were needed to meet specifications—are stored in the onboard nonvolatile memory (EEPROM). The driver software uses these stored values.

Factory Calibration

The factory calibration of the NI PXI-665x involves calculating and storing four calibration constants. These values control the accuracy of four features of the device, which are discussed in the following sections.

OCXO Frequency

The OCXO frequency can be varied over a small range. The output frequency of the OCXO is adjusted using this constant to meet the specification listed in Appendix A, *Specifications*. This calibration applies only to the NI PXI-6653.

TCXO Frequency

The TCXO frequency can be varied over a small range. The output frequency of the TCXO is adjusted using this constant to meet the specification listed in Appendix A, *Specifications*. This calibration applies only to the NI PXI-6652.

PXI_CLK10 Phase

When using the PLL to lock PXI_CLK10 to an external reference clock, the phase between the clocks can be adjusted. The time between rising edges of PXI_CLK10 and the input clock is minimized using this constant.

DDS Start Trigger Phase

To start the DDS reliably, the DDS start trigger must arrive within a certain window of time. The phase of the DDS start trigger is controlled by this constant to meet the setup and hold-time requirements of the DDS.

DDS Initial Phase

The phase of the DDS output is adjusted using this constant so that the DDS outputs from multiple NI PXI-6653 or NI PXI-6652 modules are aligned.

Additional Information

Refer to ni.com/calibration for additional information on NI calibration services.

Specifications

This appendix lists the system specifications for NI PPXI-665x modules. These specifications are typical at 25 °C, unless otherwise stated.



Note Specifications are subject to change without notice.

CLKIN Characteristics

CLKIN fundamental

frequency range ¹	1 MHz to 105 MHz, sine or square wave
Input impedance	50 Ω, nominal
Input coupling	AC
Voltage range	400 mV _{p-p} to 5 V _{p-p}
Absolute maximum input voltage ²	6 V _{p-p} , max

CLKIN to PXI_CLK10_IN delay

Uncompensated	14 ns to 14.7 ns, typical
PLL compensated	±1 ns, max

CLKIN frequency accuracy requirement

For PLL and OCXO	±1.5 ppm
For PLL and TCXO	±5.0 ppm
For replacing PXI_CLK10 (no PLL)	±100 ppm ³

Jitter added to CLKIN

Without PLL	0.5 ps _{rms} , 10 Hz to 100 kHz, typical
With PLL	0.6 ps _{rms} , 10 Hz to 100 kHz, typical

Duty cycle distortion of CLKIN to PXI_CLK10_IN

without PLL	±1%, max
-------------------	----------

Required input duty cycle

when using PLL	45 to 55%
----------------------	-----------

¹ CLKIN fundamental frequency can be any multiple of 1 MHz within the range specified when the PLL is engaged and PXI_CLK10 is locking to it. The frequency must be 10 MHz when replacing PXI_CLK10 without the PLL.

² Stresses beyond those listed can cause permanent damage to the device. Exposure to absolute maximum rated conditions for extended periods of time can affect device reliability. Functional operation of the device outside the conditions indicated in the operational parts of the specification is not implied.

³ This is a requirement of the PXI specification.

CLKOUT Characteristics

Output frequency

- From PXI_CLK10 10 MHz
- From OCXO/TCXO 10 MHz
- From DDS¹ 1 MHz to 105 MHz

- Duty cycle 40 to 60%
- Output impedance 50 Ω, nominal
- Output coupling AC

Amplitude, software configurable to two voltage levels (low and high drive)

Open Load	Square Wave
Low Drive	2.0 V _{p-p} , typical
High Drive	5.0 V _{p-p} , typical

50 Ω Load	Square Wave
Low Drive	1.0 V _{p-p} , typical
High Drive	2.5 V _{p-p} , typical

Square wave rise/fall time (10 to 90%)

- Low drive 0.5 ns min,
2.5 ns max
- High drive 0.5 ns min,
2.5 ns max

PFI <0..5>

Input Characteristics

- Frequency range DC to 105 MHz
- Input impedance 50 Ω, nominal, or 1 kΩ ±10%,
|| 35 pF, software-selectable
- Input coupling DC
- Voltage level 0 V to 5 V

¹ The lower limit is load dependent because of the AC coupling. This limit is less than 1 MHz for high-impedance loads.

Absolute maximum input voltage ¹	±5.25 V, max
Input threshold	
Voltage level	0 to 4.3 V, software-selectable
Voltage resolution	16.8 mV (8 bits)
Error	±40 mV
Hysteresis	50 mV
Asynchronous delay, t_{pd}	
PFI <0..5> to	
PXI_TRIG <0..7> output	15 ns to 23 ns, typical
PFI <0..5> to	
PXI_STAR <0..12> output	10 ns to 19 ns, typical
Synchronized trigger input setup time, t_{setup}^2 ...	11.2 ns, typical
Synchronized trigger input hold time, t_{hold}^2	-10.8 ns, typical

Output Characteristics

Frequency range	DC to 105 MHz
Output impedance	50 Ω , nominal
Output coupling	DC
Voltage level	0 to 1.6 V into 50 Ω ; 0 to 3.3 V into open circuit, typical
Absolute maximum applied voltage ³	±5.25 V, max
Synchronized trigger clock	
to out time, t_{CtoQ}^2	8.4 ns, typical
Output-to-output skew, synchronous	500 ps, typical

¹ Stresses beyond those listed can cause permanent damage to the device. Exposure to absolute maximum rated conditions for extended periods of time can affect device reliability. Functional operation of the device outside the conditions indicated in the operational parts of the specifications is not implied.

² Relative to PXI_CLK10.

³ Stresses beyond those listed can cause permanent damage to the device. Exposure to absolute maximum rated conditions for extended periods of time can affect device reliability. Functional operation of the device outside the conditions indicated in the operational parts of the specifications is not implied.

PXI_STAR Trigger Characteristics

PXI_STAR <0..12> to
 PXI_STAR <0..12> output skew
 at NI PXI-665x backplane connector¹ 300 ps, typical

Asynchronous delays, t_{pd}

- PXI_STAR <0..12> to
 PFI <0..5> output 7 to 11 ns, typical
- PXI_STAR <0..12> to
 PXI_TRIG <0..7> output 13 to 19 ns, typical

PXI Trigger Characteristics

PXI_TRIG <0..7> to
 PXI_TRIG <0..7> output skew
 at NI PXI-665x backplane connector 5 ns, typical

Asynchronous delay, t_{pd}

- PXI_TRIG <0..7> to PFI <0..5> output 11 to 17 ns, typical

OCXO Characteristics

Nominal frequency 10 MHz

Accuracy within 1 year of calibration
 adjustment within 0 °C to 55 °C
 operating temperature range² ±80 ppb

Long-term stability ±50 ppb/year

Stability vs temperature <10 ppb peak-to-peak within 0 °C to 55 °C
 operating temperature range

Jitter

- to CLKOUT 2.0 ps_{rms}, 10 Hz to 100 kHz, typical
- to CLK10IN 1.5 ps_{rms}, 10 Hz to 100 kHz, typical

Recommended calibration interval 1 year

TCXO Characteristics

Nominal frequency 10 MHz

Accuracy within 1 year of calibration
 adjustment within 0 °C to 55 °C
 operating temperature range² ±5 ppm

¹ This specification applies to all synchronous routes to the PXI_Star lines, as well as asynchronous routes from the PFI inputs to the PXI_Star lines.

² After 72 hours of continuous operation.

Long-term stability ¹	±1 ppm/year
Stability vs temperature	<1.6 ppm peak-to-peak within 0 °C to 55 °C operating temperature range
Recommended calibration interval	1 year

DDS Characteristics

Frequency range	1 Hz to 105 MHz
Frequency resolution	<1.1 µHz
Frequency accuracy ²	Equivalent to PXI_CLK10 accuracy

Physical

Chassis requirement	One 3U CompactPCI or PXI slot (PXI Slot 2 for full functionality)
Front panel connectors	SMB male, 50 Ω
Front panel indicators	Two tricolor LEDs (green, red, and amber)
Recommended maximum cable length	
PFI/CLKOUT, DC to 10 MHz	200 m
CLKOUT High Gain, 105 MHz ³	100 m
PFI/CLKOUT Low Gain, 105 MHz ¹	30 m

Power Requirements

+5 V	2 A, max
+3.3 V	600 mA, max
+12 V	500 mA, max
-12 V	0 A, max

Environmental

Operating Environment

Ambient temperature range	0 to 55 °C (Tested in accordance with IEC 60068-2-1 and IEC 60068-2-2.)
Relative humidity range	10% to 90%, noncondensing (Tested in accordance with IEC 60068-2-56.)

¹ Includes stability of TCXO and supporting circuitry.

² The DDS frequency inherits the relative frequency of PXI_CLK10. For example, if you route the OCXO to PXI_CLK10, the DDS output inherits the same relative frequency accuracy as the OCXO output.

³ Maximum cable length with a direct cable connection. Loss from a signal splitter would reduce maximum cable length.

Maximum altitude.....	2,000 m (at 25 °C ambient temperature)
Pollution Degree	2
Indoor use only	

Storage Environment

Ambient temperature range	-20 to 70 °C (Tested in accordance with IEC 60068-2-1 and IEC 60068-2-2.)
Relative humidity range.....	5% to 95% noncondensing (Tested in accordance with IEC 60068-2-56.)

Shock and Vibration

Operational Shock.....	30 g peak, half-sine, 11 ms pulse (Tested in accordance with IEC 60068-2-27. Test profile developed in accordance with MIL-PRF-28800F.)
------------------------	---

Random Vibration

Operating	5 to 500 Hz, 0.3 g _{rms}
Nonoperating	5 to 500 Hz, 2.4 g _{rms} (Tested in accordance with IEC 60068-2-64. Nonoperating test profile exceeds the requirements of MIL-PRF-28800F, Class 3.)



Caution Clean the NI PXI-665x module with a soft nonmetallic brush. Make sure that the device is completely dry and free from contaminants before returning it to service.

Safety

This product is designed to meet the requirements of the following standards of safety for electrical equipment for measurement, control, and laboratory use:

- IEC 61010-1, EN 61010-1
- UL 61010-1, CSA 61010-1



Note For UL and other safety certifications, refer to the product label or the [Online Product Certification](#) section.

Electromagnetic Compatibility

This product is designed to meet the requirements of the following standards of EMC for electrical equipment for measurement, control, and laboratory use:

- EN 61326 (IEC 61326): Class A emissions; Basic immunity
- EN 55011 (CISPR 11): Group 1, Class A emissions
- AS/NZS CISPR 11: Group 1, Class A emissions
- FCC 47 CFR Part 15B: Class A emissions
- ICES-001: Class A emissions



Note For the standards applied to assess the EMC of this product, refer to the [Online Product Certification](#) section.

CE Compliance

This product meets the essential requirements of applicable European Directives as follows:

- 2006/95/EC; Low-Voltage Directive (safety)
- 2004/108/EC; Electromagnetic Compatibility Directive (EMC)

Online Product Certification

Refer to the product Declaration of Conformity (DoC) for additional regulatory compliance information. To obtain product certifications and the DoC for this product, visit ni.com/certification, search by model number or product line, and click the appropriate link in the Certification column.

Environmental Management

NI is committed to designing and manufacturing products in an environmentally responsible manner. NI recognizes that eliminating certain hazardous substances from our products is beneficial to the environment and to NI customers.

For additional environmental information, refer to the *Minimize Our Environmental Impact* web page at ni.com/environment. This page contains the environmental regulations and directives with which NI complies, as well as other environmental information not included in this document.

Waste Electrical and Electronic Equipment (WEEE)



EU Customers At the end of the product life cycle, all products *must* be sent to a WEEE recycling center. For more information about WEEE recycling centers, National Instruments WEEE initiatives, and compliance with WEEE Directive 2002/96/EC on Waste and Electronic Equipment, visit ni.com/environment/weee.

电子信息产品污染控制管理办法（中国 RoHS）



中国客户 National Instruments 符合中国电子信息产品中限制使用某些有害物质指令 (RoHS)。关于 National Instruments 中国 RoHS 合规性信息，请登录 ni.com/environment/rohs_china。(For information about China RoHS compliance, go to ni.com/environment/rohs_china.)

NI Services

National Instruments provides global services and support as part of our commitment to your success. Take advantage of product services in addition to training and certification programs that meet your needs during each phase of the application life cycle; from planning and development through deployment and ongoing maintenance.

To get started, register your product at ni.com/myproducts.

As a registered NI product user, you are entitled to the following benefits:

- Access to applicable product services.
- Easier product management with an online account.
- Receive critical part notifications, software updates, and service expirations.

Log in to your National Instruments ni.com User Profile to get personalized access to your services.

Services and Resources

- **Maintenance and Hardware Services**—NI helps you identify your systems' accuracy and reliability requirements and provides warranty, sparing, and calibration services to help you maintain accuracy and minimize downtime over the life of your system. Visit ni.com/services for more information.
 - **Warranty and Repair**—All NI hardware features a one-year standard warranty that is extendable up to five years. NI offers repair services performed in a timely manner by highly trained factory technicians using only original parts at a National Instruments service center.
 - **Calibration**—Through regular calibration, you can quantify and improve the measurement performance of an instrument. NI provides state-of-the-art calibration services. If your product supports calibration, you can obtain the calibration certificate for your product at ni.com/calibration.
- **System Integration**—If you have time constraints, limited in-house technical resources, or other project challenges, National Instruments Alliance Partner members can help. To learn more, call your local NI office or visit ni.com/alliance.

- **Training and Certification**—The NI training and certification program is the most effective way to increase application development proficiency and productivity. Visit ni.com/training for more information.
 - The Skills Guide assists you in identifying the proficiency requirements of your current application and gives you options for obtaining those skills consistent with your time and budget constraints and personal learning preferences. Visit ni.com/skills-guide to see these custom paths.
 - NI offers courses in several languages and formats including instructor-led classes at facilities worldwide, courses on-site at your facility, and online courses to serve your individual needs.
- **Technical Support**—Support at ni.com/support includes the following resources:
 - **Self-Help Technical Resources**—Visit ni.com/support for software drivers and updates, a searchable KnowledgeBase, product manuals, step-by-step troubleshooting wizards, thousands of example programs, tutorials, application notes, instrument drivers, and so on. Registered users also receive access to the NI Discussion Forums at ni.com/forums. NI Applications Engineers make sure every question submitted online receives an answer.
 - **Software Support Service Membership**—The Standard Service Program (SSP) is a renewable one-year subscription included with almost every NI software product, including NI Developer Suite. This program entitles members to direct access to NI Applications Engineers through phone and email for one-to-one technical support, as well as exclusive access to online training modules at ni.com/self-paced-training. NI also offers flexible extended contract options that guarantee your SSP benefits are available without interruption for as long as you need them. Visit ni.com/ssp for more information.
- **Declaration of Conformity (DoC)**—A DoC is our claim of compliance with the Council of the European Communities using the manufacturer’s declaration of conformity. This system affords the user protection for electromagnetic compatibility (EMC) and product safety. You can obtain the DoC for your product by visiting ni.com/certification.

For information about other technical support options in your area, visit ni.com/services, or contact your local office at ni.com/contact.

You also can visit the Worldwide Offices section of ni.com/niglobal to access the branch office websites, which provide up-to-date contact information, support phone numbers, email addresses, and current events.

Glossary

Symbol	Prefix	Value
p	pico	10^{-12}
n	nano	10^{-9}
μ	micro	10^{-6}
m	milli	10^{-3}
k	kilo	10^3
M	mega	10^6

Symbols

%	percent
\pm	plus or minus
+	positive of, or plus
-	negative of, or minus
/	per
$^{\circ}$	degree
Ω	ohm

A

accumulator	a part where numbers are totaled or stored
ADE	application development environment
asynchronous	a property of an event that occurs at an arbitrary time, without synchronization to a reference clock

B

backplane an assembly, typically a printed circuit board (PCB), with 96-pin connectors and signal paths that bus the connector pins. PXI systems have two connectors, called the J1 and J2 connectors.

bus the group of conductors that interconnect individual circuitry in a computer. Typically, a bus is the expansion vehicle to which I/O or other devices are connected. An example of a PC bus is the PCI bus.

C

C Celsius

CLKIN CLKIN is a signal connected to the SMB input pin of the same name. CLKIN can serve as PXI_CLK10_IN or be used as a phase lock reference for the OCXO.

CLKOUT CLKOUT is the signal on the SMB output pin of the same name. Either the OCXO clock or PXI_CLK10 can be routed to CLKOUT.

clock hardware component that controls timing for reading from or writing to groups

CompactPCI a Eurocard configuration of the PCI bus for industrial applications

D

D/A digital-to-analog

DAC digital-to-analog converter—an electronic device that converts a digital number into a corresponding analog voltage or current

DAQ data acquisition—(1) collecting and measuring electrical signals from sensors, transducers, and test probes or fixtures and inputting them to a computer for processing; (2) collecting and measuring the same kinds of electrical signals with A/D and/or DIO devices plugged into a computer, and possibly generating control signals with D/A and/or DIO devices in the same computer

DC direct current

DDS direct digital synthesis—a method of creating a clock with a programmable frequency

E

EEPROM electrically erasable programmable read-only memory—ROM that can be erased with an electrical signal and reprogrammed

ESD electrostatic discharge

F

frequency the basic unit of rate, measured in events or oscillations per second using a frequency counter or spectrum analyzer. Frequency is the reciprocal of the period of a signal.

frequency tuning word a number that specifies the frequency

front panel the physical front panel of an instrument or other hardware

H

Hz hertz—the number of scans read or updates written per second

I

in. inch or inches

J

jitter the rapid variation of a clock or sampling frequency from an ideal constant frequency

L

LabVIEW a graphical programming language

LED light-emitting diode—a semiconductor light source

M

master the requesting or controlling device in a master/slave configuration

Measurement & Automation Explorer (MAX) a controlled centralized configuration environment that allows you to configure all of your National Instruments DAQ, GPIB, IMAQ, IVI, Motion, VISA, and VXI devices

N

NI-DAQ National Instruments driver software for DAQ hardware

O

OCCO oven-controlled crystal oscillator

oscillator a device that generates a fixed frequency signal. An oscillator most often generates signals by using oscillating crystals, but also may use tuned networks, lasers, or atomic clock sources. The most important specifications on oscillators are frequency accuracy, frequency stability, and phase noise.

output impedance the measured resistance and capacitance between the output terminals of a circuit

P

PCI Peripheral Component Interconnect—a high-performance expansion bus architecture originally developed by Intel to replace ISA and EISA. It is achieving widespread acceptance as a standard for PCs and work-stations; it offers a theoretical maximum transfer rate of 132 Mbytes/s.

PFI Programmable Function Interface

PLL phase-locked loop

precision the measure of the stability of an instrument and its capability to give the same measurement over and over again for the same input signal

propagation delay the amount of time required for a signal to pass through a circuit

PXI	a rugged, open system for modular instrumentation based on CompactPCI, with special mechanical, electrical, and software features. The PXIbus standard was originally developed by National Instruments in 1997, and is now managed by the PXIbus Systems Alliance.
PXI star	a special set of trigger lines in the PXI backplane for high-accuracy device synchronization with minimal latencies on each PXI slot
PXI_Trig/PXI_Star synchronization clock	the clock signal that is used to synchronize the RTSI/PXI triggers or PXI_STAR triggers on an NI PXI-6653
R	
RTSI bus	Real-Time System Integration bus—the NI timing bus that connects DAQ devices directly, by means of connectors on top of the devices, for precise synchronization of functions
S	
s	seconds
skew	the actual time difference between two events that would ideally occur simultaneously. Inter-channel skew is an example of the time differences introduced by different characteristics of multiple channels. Skew can occur between channels on one module, or between channels on separate modules (intermodule skew).
slave	a computer or peripheral device controlled by another computer
slot	the place in the computer or chassis in which a card or module can be installed
Slot 2	the second slot in a PXI system which can house a master timing unit
SMB	sub miniature type B—a small coaxial signal connector that features a snap coupling for fast connection
synchronous	a property of an event that is synchronized to a reference clock

Glossary

T

t_{CtoQ} clock to output time

t_{hold} hold time

t_{pd} propagation delay time

TRIG trigger signal

trigger a digital signal that starts or times a hardware event (for example, starting a data acquisition operation)

t_{setup} setup time

V

V volts

VI virtual instrument

Index

A

- Access LED
 - color explanation (table), 3-7
 - overview, 3-7
- Active LED
 - color explanation (table), 3-7
 - overview, 3-7
- asynchronous routing
 - overview, 3-17
 - sources and destinations, 3-18

B

- block diagram, routing architecture, 3-13

C

- cable configuration, 3-15
- calibration
 - additional information, 4-2
 - DDS initial phase, 4-2
 - DDS start trigger phase, 4-1
 - factory calibration, 4-1
 - OCXO frequency, 4-1
 - PXI_CLK10 phase, 4-1
 - TCXO frequency, 4-1
- CE compliance, specifications, A-7
- changing the Active LED color (tip), 3-7
- cleaning, A-6
- CLKIN connector
 - description, 3-8
 - location (diagram), 3-4, 3-5, 3-6
 - specifications, A-1
- CLKOUT connector, 3-8
 - description, 3-8
 - location (diagram), 3-4, 3-5, 3-6
 - signal description (table), 3-9
 - specifications, A-2
- clock generation
 - DDS, 3-10
 - overview, 3-10
 - PXI_CLK10 and OCXO, 3-11

color

- Access LED color explanation (table), 3-7
- Active LED color explanation (table), 3-7

configuring the device

- Access LED, 3-7
- Active LED, 3-7
- overview, 2-2

D

DDS

- clock generation, 3-10
- DDS clock
 - PFI synchronization clock, 3-15
 - PXI_Trig/PXI_Star synchronization clock, 3-16
 - routing to the CLKOUT connector, 3-8
 - front panel triggers as outputs, 3-15
 - signal description (table), 3-9
 - specifications, A-5
- DDS initial phase calibration, 4-2
- DDS start trigger phase calibration, 4-1
 - destinations, possible destinations (table), 3-14
- direct digital synthesis. *See* DDS
- documentation, related documentation, ix

E

- electromagnetic compatibility, A-7
- environmental management, specifications, A-7
- environmental specifications, A-5
- equipment, getting started, 1-1

F

factory calibration, 4-1
 frequency tuning word, 3-10
 front panel
 See also CLKIN connector
 connector descriptions, 3-8
 NI PXI-6651 diagram, 3-6
 PFI, 3-8

G

generating a clock
 DDS, 3-10
 overview, 3-10
 PXI_CLK10 and TCXO, 3-11
 generating a single pulse (trigger), 3-19
 getting started
 configuring the device, 2-2
 equipment, 1-1
 installing the hardware, 2-1
 installing the software, 2-1
 software programming choices, 1-2
 unpacking, 1-2
 global software trigger
 generating a single pulse, 3-19
 using front panel PFIs as outputs, 3-15
 using the PXI star triggers, 3-17
 using the PXI/RTSI triggers, 3-16

H

hardware
 calibration, 4-1
 configuring, 2-2
 connector descriptions, 3-8
 installing, 2-1
 overview, 3-9

I

installation
 hardware, 2-1
 software, 2-1

L

LED
 Access LED, 3-7
 Active LED, 3-7
 light-emitting diode. *See* LED

M

maximum signal rating (caution), 3-8

N

NI PXI-6651, parts locator diagram, 3-6
 NI PXI-665x
 configuration, 2-2
 connectors, 3-8
 functional overview, 3-9
 installation
 hardware, 2-1
 software, 2-1

O

OCXO
 clock generation, 3-11
 clock, using the PXI_CLK10 PLL, 3-20
 frequency calibration, 4-1
 OCXO clock
 routing to the CLKOUT
 connector, 3-8
 overview, 3-11
 specifications, A-4
 oven-controlled crystal oscillator. *See* OCXO

P

PFI
 PFI <0..5> connector
 description, 3-8
 location (diagram), 3-4, 3-5, 3-6
 signal description (table), 3-10
 PFI <0..5> signals
 asynchronous routing, 3-18
 front panel PFIs as inputs, 3-15
 front panel triggers as outputs, 3-15
 specifications, A-2
 using front panel PFIs as inputs, 3-15
 using front panel PFIs as outputs, 3-15

PFI synchronization clock, 3-8
 possible sources, 3-15
 using front panel PFIs as outputs, 3-15

phase-locked loop. *See* PLL

physical specifications, A-5

PLL
 Active LED, 3-7
 routing from the CLKIN connector, 3-8
 using the PXI_CLK10 PLL, 3-20

power requirement specifications, A-5

programmable function interface. *See* PFI

PXI backplane clock, 3-11

PXI star trigger bus. *See* PXI_STAR <0..12>

PXI star triggers, front panel triggers as outputs, 3-15

PXI trigger bus. *See* PXI_TRIG <0..7>

PXI_CLK10
 Active LED, 3-7
 clock generation, 3-11
 DDS phase-lock, 3-9
 front panel triggers as outputs, 3-15
 routing to the CLKOUT connector, 3-8
 using front panel PFIs as outputs, 3-15
 using the PXI_CLK10 PLL, 3-20
 using the PXI/RTSI triggers, 3-16

PXI_CLK10 phase
 calibration, 4-1

PXI_CLK10_IN
 routing from the CLKIN connector, 3-8
 signal description (table), 3-9

PXI_CLK10_OUT
 signal description (table), 3-9

PXI_STAR <0..12>
 asynchronous routing, 3-18
 signal description (table), 3-10
 specifications, A-4
 using front panel PFIs as outputs, 3-15
 using the PXI star triggers, 3-17
 using the PXI/RTSI triggers, 3-16

PXI_TRIG <0..7>
 asynchronous routing, 3-18
 signal description (table), 3-10
 specifications, A-4
 using front panel PFIs as outputs, 3-15
 using the PXI star triggers, 3-17
 using the PXI/RTSI triggers, 3-16

PXI_Trig/PXI_Star synchronization clock
 possible sources, 3-16
 using the PXI/RTSI triggers, 3-16

R

reflections, recommended cable configuration, 3-15

related documentation, *ix*

resistors, terminating signals (note), 3-15

routing architecture (figure), 3-13

routing signals
 front panel triggers
 using as inputs, 3-15
 using as outputs, 3-15
 generating a single pulse (trigger), 3-19
 overview, 3-12
 possible sources and destinations (table), 3-14
 PXI star triggers, 3-17
 RTSI/PXI triggers, 3-16
 types
 asynchronous, 3-17
 synchronous, 3-18

RTSI signal names (note), 3-10

RTSI/PXI triggers
 front panel triggers as outputs, 3-15

S

safety, specifications, A-6

signal descriptions (table), 3-9

signal source, 3-14
 possible sources (table), 3-14

single pulse generation, 3-19

software

- installing, 2-1
- programming choices, overview, 1-2

source

- possible sources (table), 3-14
- signal, 3-14

specifications

- CE compliance, A-7
- cleaning, A-6
- CLKIN characteristics, A-1
- CLKOUT characteristics, A-2
- DDS characteristics, A-5
- electromagnetic compatibility, A-7
- environmental, A-5
- environmental management, A-7
- OXCXO characteristics, A-4
- online product certification, A-7
- PFI <0..5>
 - input characteristics, A-2
 - output characteristics, A-3
- physical, A-5
- power requirements, A-5
- PXI trigger characteristics, A-4
- PXI_STAR trigger characteristics, A-4
- safety, A-6
- TCXO characteristics, A-4

star triggers. *See* PXI_STAR <0..12>, 3-10

PFI synchronization clock, 3-18

synchronization clock

- See also* PXI_Trig/PXI_Star
- synchronization clock
- overview, 3-18

synchronous routing

- overview, 3-18
- possible sources and destinations, 3-19
- synchronization clock sources, 3-19
- timing diagram, 3-18

T

TCXO

- clock generation, 3-11
- clock, using the PXI_CLK10 PLL, 3-20
- frequency calibration, 4-1
- overview, 3-11
- specifications, A-4

temperature-compensated oscillator. *See*

TCXO

terminating signals with resistors (note), 3-15

threshold, voltage, 3-15

trigger bus. *See* PXI_TRIG <0..7>, 3-10

U

unpacking the device, 1-2

V

voltage thresholds, programming, 3-15