

COMPREHENSIVE SERVICES

We offer competitive repair and calibration services, as well as easily accessible documentation and free downloadable resources.

SELL YOUR SURPLUS

We buy new, used, decommissioned, and surplus parts from every NI series. We work out the best solution to suit your individual needs.

 Sell For Cash  Get Credit  Receive a Trade-In Deal

OBSOLETE NI HARDWARE IN STOCK & READY TO SHIP

We stock **New**, **New Surplus**, **Refurbished**, and **Reconditioned** NI Hardware.



Bridging the gap between the manufacturer and your legacy test system.

 1-800-915-6216

 www.apexwaves.com

 sales@apexwaves.com

All trademarks, brands, and brand names are the property of their respective owners.

Request a Quote

 **CLICK HERE**

PXI-8214

PXI

NI PXI-8183 User Manual

Worldwide Technical Support and Product Information

ni.com

National Instruments Corporate Headquarters

11500 North Mopac Expressway Austin, Texas 78759-3504 USA Tel: 512 683 0100

Worldwide Offices

Australia 1800 300 800, Austria 43 662 457990-0, Belgium 32 (0) 2 757 0020, Brazil 55 11 3262 3599,
Canada 800 433 3488, China 86 21 5050 9800, Czech Republic 420 224 235 774, Denmark 45 45 76 26 00,
Finland 358 (0) 9 725 72511, France 01 57 66 24 24, Germany 49 89 7413130, India 91 80 41190000,
Israel 972 3 6393737, Italy 39 02 41309277, Japan 0120-527196, Korea 82 02 3451 3400,
Lebanon 961 (0) 1 33 28 28, Malaysia 1800 887710, Mexico 01 800 010 0793, Netherlands 31 (0) 348 433 466,
New Zealand 0800 553 322, Norway 47 (0) 66 90 76 60, Poland 48 22 328 90 10, Portugal 351 210 311 210,
Russia 7 495 783 6851, Singapore 1800 226 5886, Slovenia 386 3 425 42 00, South Africa 27 0 11 805 8197,
Spain 34 91 640 0085, Sweden 46 (0) 8 587 895 00, Switzerland 41 56 2005151, Taiwan 886 02 2377 2222,
Thailand 662 278 6777, Turkey 90 212 279 3031, United Kingdom 44 (0) 1635 523545

For further support information, refer to the *Technical Support and Professional Services* appendix. To comment on National Instruments documentation, refer to the National Instruments Web site at ni.com/info and enter the info code `feedback`.

Important Information

Warranty

The NI PXI-8183 is warranted against defects in materials and workmanship for a period of one year from the date of shipment, as evidenced by receipts or other documentation. National Instruments will, at its option, repair or replace equipment that proves to be defective during the warranty period. This warranty includes parts and labor.

The media on which you receive National Instruments software are warranted not to fail to execute programming instructions, due to defects in materials and workmanship, for a period of 90 days from date of shipment, as evidenced by receipts or other documentation. National Instruments will, at its option, repair or replace software media that do not execute programming instructions if National Instruments receives notice of such defects during the warranty period. National Instruments does not warrant that the operation of the software shall be uninterrupted or error free.

A Return Material Authorization (RMA) number must be obtained from the factory and clearly marked on the outside of the package before any equipment will be accepted for warranty work. National Instruments will pay the shipping costs of returning to the owner parts which are covered by warranty.

National Instruments believes that the information in this document is accurate. The document has been carefully reviewed for technical accuracy. In the event that technical or typographical errors exist, National Instruments reserves the right to make changes to subsequent editions of this document without prior notice to holders of this edition. The reader should consult National Instruments if errors are suspected. In no event shall National Instruments be liable for any damages arising out of or related to this document or the information contained in it.

EXCEPT AS SPECIFIED HEREIN, NATIONAL INSTRUMENTS MAKES NO WARRANTIES, EXPRESS OR IMPLIED, AND SPECIFICALLY DISCLAIMS ANY WARRANTY OF MERCHANTABILITY OR FITNESS FOR A PARTICULAR PURPOSE. CUSTOMER'S RIGHT TO RECOVER DAMAGES CAUSED BY FAULT OR NEGLIGENCE ON THE PART OF NATIONAL INSTRUMENTS SHALL BE LIMITED TO THE AMOUNT THEREOF PAID BY THE CUSTOMER. NATIONAL INSTRUMENTS WILL NOT BE LIABLE FOR DAMAGES RESULTING FROM LOSS OF DATA, PROFITS, USE OF PRODUCTS, OR INCIDENTAL OR CONSEQUENTIAL DAMAGES, EVEN IF ADVISED OF THE POSSIBILITY THEREOF. This limitation of the liability of National Instruments will apply regardless of the form of action, whether in contract or tort, including negligence. Any action against National Instruments must be brought within one year after the cause of action accrues. National Instruments shall not be liable for any delay in performance due to causes beyond its reasonable control. The warranty provided herein does not cover damages, defects, malfunctions, or service failures caused by owner's failure to follow the National Instruments installation, operation, or maintenance instructions; owner's modification of the product; owner's abuse, misuse, or negligent acts; and power failure or surges, fire, flood, accident, actions of third parties, or other events outside reasonable control.

Copyright

Under the copyright laws, this publication may not be reproduced or transmitted in any form, electronic or mechanical, including photocopying, recording, storing in an information retrieval system, or translating, in whole or in part, without the prior written consent of National Instruments Corporation.

National Instruments respects the intellectual property of others, and we ask our users to do the same. NI software is protected by copyright and other intellectual property laws. Where NI software may be used to reproduce software or other materials belonging to others, you may use NI software only to reproduce materials that you may reproduce in accordance with the terms of any applicable license or other legal restriction.

Trademarks

National Instruments, NI, ni.com, and LabVIEW are trademarks of National Instruments Corporation. Refer to the *Terms of Use* section on ni.com/legal for more information about National Instruments trademarks.

Other product and company names mentioned herein are trademarks or trade names of their respective companies.

Members of the National Instruments Alliance Partner Program are business entities independent from National Instruments and have no agency, partnership, or joint-venture relationship with National Instruments.

Patents

For patents covering National Instruments products/technology, refer to the appropriate location: **Help»Patents** in your software, the `patents.txt` file on your media, or the *National Instruments Patent Notice* at ni.com/patents.

WARNING REGARDING USE OF NATIONAL INSTRUMENTS PRODUCTS

(1) NATIONAL INSTRUMENTS PRODUCTS ARE NOT DESIGNED WITH COMPONENTS AND TESTING FOR A LEVEL OF RELIABILITY SUITABLE FOR USE IN OR IN CONNECTION WITH SURGICAL IMPLANTS OR AS CRITICAL COMPONENTS IN ANY LIFE SUPPORT SYSTEMS WHOSE FAILURE TO PERFORM CAN REASONABLY BE EXPECTED TO CAUSE SIGNIFICANT INJURY TO A HUMAN.

(2) IN ANY APPLICATION, INCLUDING THE ABOVE, RELIABILITY OF OPERATION OF THE SOFTWARE PRODUCTS CAN BE IMPAIRED BY ADVERSE FACTORS, INCLUDING BUT NOT LIMITED TO FLUCTUATIONS IN ELECTRICAL POWER SUPPLY, COMPUTER HARDWARE MALFUNCTIONS, COMPUTER OPERATING SYSTEM SOFTWARE FITNESS, FITNESS OF COMPILERS AND DEVELOPMENT SOFTWARE USED TO DEVELOP AN APPLICATION, INSTALLATION ERRORS, SOFTWARE AND HARDWARE COMPATIBILITY PROBLEMS, MALFUNCTIONS OR FAILURES OF ELECTRONIC MONITORING OR CONTROL DEVICES, TRANSIENT FAILURES OF ELECTRONIC SYSTEMS (HARDWARE AND/OR SOFTWARE), UNANTICIPATED USES OR MISUSES, OR ERRORS ON THE PART OF THE USER OR APPLICATIONS DESIGNER (ADVERSE FACTORS SUCH AS THESE ARE HEREAFTER COLLECTIVELY TERMED "SYSTEM FAILURES"). ANY APPLICATION WHERE A SYSTEM FAILURE WOULD CREATE A RISK OF HARM TO PROPERTY OR PERSONS (INCLUDING THE RISK OF BODILY INJURY AND DEATH) SHOULD NOT BE RELIANT SOLELY UPON ONE FORM OF ELECTRONIC SYSTEM DUE TO THE RISK OF SYSTEM FAILURE. TO AVOID DAMAGE, INJURY, OR DEATH, THE USER OR APPLICATION DESIGNER MUST TAKE REASONABLY PRUDENT STEPS TO PROTECT AGAINST SYSTEM FAILURES, INCLUDING BUT NOT LIMITED TO BACK-UP OR SHUT DOWN MECHANISMS, BECAUSE EACH END-USER SYSTEM IS CUSTOMIZED AND DIFFERS FROM NATIONAL INSTRUMENTS' TESTING PLATFORMS AND BECAUSE A USER OR APPLICATION DESIGNER MAY USE NATIONAL INSTRUMENTS PRODUCTS IN COMBINATION WITH OTHER PRODUCTS IN A MANNER NOT EVALUATED OR CONTEMPLATED BY NATIONAL INSTRUMENTS, THE USER OR APPLICATION DESIGNER IS ULTIMATELY RESPONSIBLE FOR VERIFYING AND VALIDATING THE SUITABILITY OF NATIONAL INSTRUMENTS PRODUCTS WHENEVER NATIONAL INSTRUMENTS PRODUCTS ARE INCORPORATED IN A SYSTEM OR APPLICATION, INCLUDING, WITHOUT LIMITATION, THE APPROPRIATE DESIGN, PROCESS AND SAFETY LEVEL OF SUCH SYSTEM OR APPLICATION.

Contents

About This Manual

How to Use the Documentation Set.....	vii
Conventions	vii
Related Documentation.....	viii

Chapter 1

Introduction

Benefits of PXI	1-1
NI PXI-8183	1-2
Description	1-2
Modules	1-2
Functional Overview	1-2
National Instruments Software	1-4

Chapter 2

Installation and Configuration

Installing the NI PXI-8183	2-1
How to Remove the Controller from the PXI Chassis	2-4
BIOS Setup	2-4
Entering BIOS Setup	2-4
Main Setup Menu	2-5
Advanced Setup Menu	2-6
PXI Setup Menu	2-8
LabVIEW RT Setup Menu	2-9
Security Setup Menu	2-9
Boot Setup Menu	2-10
Exiting BIOS Setup	2-11
System CMOS	2-12
LabVIEW RT Configuration Switches	2-13
Drivers and Software	2-15
Files and Directories Installed on Your Hard Drive	2-15
PXI Features	2-15
PXI Trigger Connectivity	2-15
Upgrading RAM	2-16
Hard Drive Recovery	2-17
Installing an OS	2-17
Installing from a CD-ROM	2-17
Installing from a Network	2-18

Chapter 3

I/O Information

Front Panel Connectors	3-1
Front Panel.....	3-2
VGA	3-3
COM1.....	3-4
Ethernet	3-5
Parallel Port.....	3-6
Universal Serial Bus.....	3-8
PS/2	3-9
Trigger.....	3-10
Front Panel Features	3-11
Data Storage	3-11

Chapter 4

Common Configuration Questions

General Questions	4-1
Boot Options.....	4-2
Cables and Connections	4-3
Operating System and Software Driver Installation.....	4-4
Chassis Configuration	4-5
Basic PXI System Configuration	4-6
Upgrade Information	4-7
PXI Configuration	4-8

Chapter 5

Troubleshooting

Appendix A

Specifications

Appendix B

Technical Support and Professional Services

Glossary

Index

About This Manual

This manual contains detailed instructions for installing and configuring your National Instruments NI PXI-8183 embedded computer kit.

How to Use the Documentation Set

Begin by reading the *NI PXI-8183 Installation Guide*, a brief quick-start guide that describes how to install and get started with your controller.

This manual contains more details about changing the installation or configuration from the defaults and using the hardware.

Conventions

The following conventions appear in this manual:

»

The » symbol leads you through nested menu items and dialog box options to a final action. The sequence **File»Page Setup»Options** directs you to pull down the **File** menu, select the **Page Setup** item, and select **Options** from the last dialog box.



This icon denotes a note, which alerts you to important information.



This icon denotes a caution, which advises you of precautions to take to avoid injury, data loss, or a system crash.

bold

Bold text denotes items that you must select or click in the software, such as menu items and dialog box options. Bold text also denotes parameter names.

italic

Italic text denotes variables, emphasis, a cross-reference, or an introduction to a key concept. Italic text also denotes text that is a placeholder for a word or value that you must supply.

monospace

Text in this font denotes text or characters that you should enter from the keyboard, sections of code, programming examples, and syntax examples. This font is also used for the proper names of disk drives, paths, directories, programs, subprograms, subroutines, device names, functions, operations, variables, filenames, and extensions.

monospace bold

Bold text in this font denotes the messages and responses that the computer automatically prints to the screen. This font also emphasizes lines of code that are different from the other examples.

Related Documentation

The following documents contain information you may find helpful as you read this manual:

- *PICMG 2.0 R3.0 CompactPCI Specification*, PCI Industrial Computers Manufacturers Group
- IEEE Standard P1284.1-1997 (*C/MM*) *Standard for Information Technology for Transport Independent Printer/System Interface*
- *PCI Local Bus Specification*, Revision 2.2, PCI Special Interest Group
- *PXI Hardware Specification*, Revision 2.2, PXI Systems Alliance
- *PXI Software Specification*, Revision 2.3, PXI Systems Alliance
- *Serialized IRQ Support for PCI Systems Specification*, Revision 6.0, Compaq Computer et al.

Introduction

Benefits of PXI

The PXIbus specification defines a compact modular PC platform for industrial instrumentation. PXI leverages the PCI bus, which is the *de facto* standard for today's desktop computer software and hardware designs. As a result, PXI users receive all the benefits of PCI within an architecture that supports mechanical, electrical, and software features tailored to industrial instrumentation, data acquisition, and automation applications.

Well-suited for industrial applications, PXI leverages from the CompactPCI specification, which defines a rugged form factor for PCI that offers superior mechanical integrity and easy installation and removal of hardware components. PXI products offer higher and more carefully defined levels of environmental performance required by the vibration, shock, temperature, and humidity extremes of industrial environments. PXI adds mandatory environmental testing and active cooling to the CompactPCI mechanical specification to ease system integration and ensure multivendor interoperability.

Additionally, PXI meets the more specific needs of instrumentation users by adding an integrated trigger bus and reference clock for multiple-board synchronization, a star trigger bus for very precise timing, and local buses for side-band communication between adjacent peripherals.

NI PXI-8183

Description

The NI PXI-8183 PXI/CompactPCI embedded computer is a high-performance PXI/CompactPCI-compatible system controller. The NI PXI-8183 controller integrates standard I/O features in a single unit by using state-of-the-art packaging. Combining a NI PXI-8183 embedded controller with a PXI-compatible chassis, such as the PXI-1036, results in a fully PC-compatible computer in a compact, rugged package.

Modules

The standard I/O on this module includes video, RS-232 serial port, parallel port, two USB ports, 10/100 ENET, PS/2 mouse and keyboard port, Reset button, PXI Trigger, an 850 MHz processor, and a 40 GB (or larger) hard drive.

Functional Overview

This section contains functional descriptions of each major logic block on the NI PXI-8183 embedded computer.

NI PXI-8183 Functional Description

The NI PXI-8183 is a modular PC in a PXI 3U-size form factor. Figure 1-1 is a functional block diagram of the NI PXI-8183. Following the diagram is a description of each logic block shown.

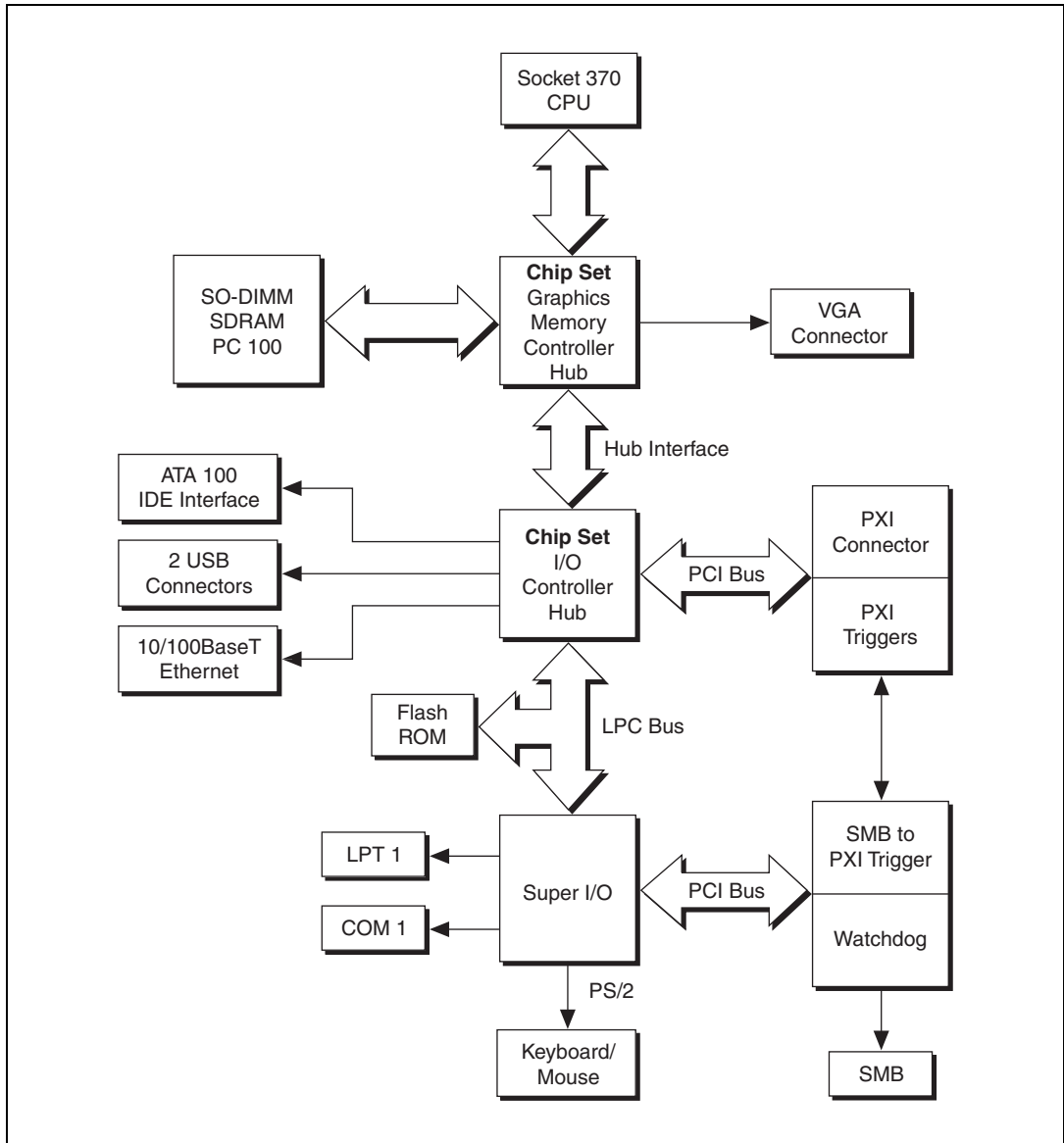


Figure 1-1. NI PXI-8183 Block Diagram

The NI PXI-8183 consists of the following logic blocks on the CPU module:

- The *Socket 370 CPU* is the socket definition for the Intel Pentium III processor families.
- The *SO-DIMM* block consists of a 64-bit SDRAM socket that can hold up to 512 MB.
- The *Chip Set GMCH* connects to the CPU, SDRAM, and video.
- The *SMB to PXI Trigger* provides a routable connection of the PXI triggers to/from the SMB on the front panel.
- The *Watchdog Timer* block consists of a watchdog timer that can reset the controller or generate a trigger.
- The *Chip Set ICH2* connects to the PCI bus USB, IDE, LPC, and Ethernet ports.
- The *USB Connector* connects the chip set to the Universal Serial Bus interface.
- The *PXI Connector* connects the NI PXI-8183 to the PXI/CompactPCI backplane.
- The *Keyboard/Mouse* block contains the PS/2 keyboard and mouse interface.
- The *Super I/O* block represents the other peripherals supplied by the NI PXI-8183. The NI PXI-8183 has one serial port and an ECP/EPP parallel port.
- The *IDE* block is dedicated PCI-IDE circuitry providing fast ATA-100 transfers to the internal hard drive. The IDE feature is built into the chip set.
- The *10/100 Enet* connects to either 10 Mbit or 100 Mbit Ethernet interfaces.
- The 2.5 in. hard drive is 40 GB or larger.

National Instruments Software

National Instruments has developed several software kits you can use with the NI PXI-8183. The software is already installed on your hard drive.

NI-DAQ has an extensive library of functions that you can call from your application programming environment. These functions include routines for analog input (A/D conversion), buffered data acquisition (high-speed A/D conversion), analog output (D/A conversion), waveform generation,

digital I/O, counter/timer operations, SCXI, RTSI, self-calibration, messaging, and acquiring data to extended memory.

NI-VISA is the National Instruments implementation of the VISA specification. VISA is a uniform API for communicating and controlling Serial, GPIB, PXI, VXI, and various other types of instruments. This API aids in the creation of more portable applications and instrument drivers. For information on writing your own PXI instrument driver with NI-VISA, refer to the *NI-VISA Getting Started* manual and the `readme.txt` file in the NI-VISA directory.

You also can use the National Instruments LabVIEW and Measurement Studio application programs and instrument drivers to ease your programming task. These standardized programs match the modular virtual instrument capability of PXI and can reduce your PXI software development time. These programs feature extensive libraries of GPIB, Serial, and VXI instrument drivers written to take full advantage of direct PXI control. LabVIEW and Measurement Studio include all the tools needed for instrument control, data acquisition, analysis, and presentation.

LabVIEW is an easy-to-use, graphical programming environment you can use to acquire data from thousands of different instruments, including IEEE 488.2 devices, VXI devices, serial devices, PLCs, and plug-in data acquisition boards. After you have acquired raw data, you can convert it into meaningful results using the powerful data analysis routines in LabVIEW. LabVIEW also comes with hundreds of instrument drivers, which dramatically reduce software development time, because you do not have to spend time programming the low-level control of each instrument.

Measurement Studio allows you to choose from standard environments such as Microsoft Visual Basic, Visual C++, and Visual Studio .NET to create your application, using tools specific for each language. With Measurement Studio, you can write programs quickly and easily and modify them as your needs change.

LabWindows™/CVI™ is an interactive ANSI C programming environment designed for building virtual instrument applications. LabWindows/CVI delivers a drag-and-drop editor for building user interfaces, a complete ANSI C environment for building your test program logic, and a collection of automated code generation tools, as well as utilities for building automated test systems, monitoring applications, or laboratory experiments.

Installation and Configuration

This chapter contains information about installing and configuring your NI PXI-8183 controller.

Installing the NI PXI-8183

This section contains general installation instructions for the NI PXI-8183. Consult your PXI chassis user manual for specific instructions and warnings.

1. Plug in your chassis before installing the NI PXI-8183. The power cord grounds the chassis and protects it from electrical damage while you install the module. (Make sure the power switch is turned off.)



Caution To protect both yourself and the chassis from electrical hazards, leave the chassis powered off until you finish installing the NI PXI-8183 module.

2. Remove any filler panels blocking access to the system controller slot (Slot 1) in the chassis.
3. Touch the metal part of the case to discharge any static electricity that might be on your clothes or body.

4. Remove the protective plastic covers from the four bracket-retaining screws as shown in Figure 2-1.

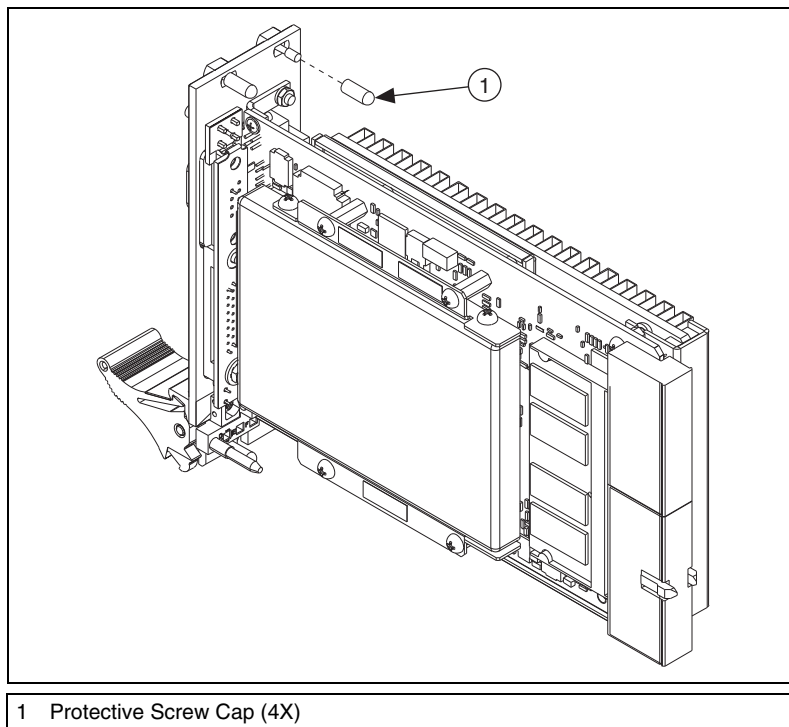


Figure 2-1. Removing Protective Screw Caps



Caution Do not raise the injector/ejector handle as you insert the NI PXI-8183. The module will not insert properly unless the handle is in its downward position so that it does not interfere with the injector rail on the chassis.

5. Make sure the injector/ejector handle is in its downward position. Align the NI PXI-8183 with the card guides on the top and bottom of the system controller slot.
6. Hold the handle as you slowly slide the module into the chassis until the handle catches on the injector/ejector rail.
7. Raise the injector/ejector handle until the module firmly seats into the backplane receptacle connectors. The front panel of the NI PXI-8183 should be even with the front panel of the chassis.
8. Tighten the four bracket-retaining screws on the top and bottom of the front panel to secure the NI PXI-8183 to the chassis.

9. Check the installation.
10. Connect the keyboard and mouse to the appropriate connectors. If you are using a PS/2 keyboard and a PS/2 mouse, use the Y-splitter adapter (refer to Figure 4-1, *Y-Splitter Cable*) included with your controller to connect both to the PS/2 connector.
11. Connect the VGA monitor video cable to the VGA connector.
12. Connect devices to ports as required by your system configuration.
13. Power on the chassis.
14. Verify that the controller boots. If the controller does not boot, refer to the *What if the NI PXI-8183 does not boot?* section of Chapter 5, *Troubleshooting*.

Figure 2-2 shows an NI PXI-8183 installed in the system controller slot of a National Instruments PXI-1036 chassis. You can place PXI devices in any other slot.

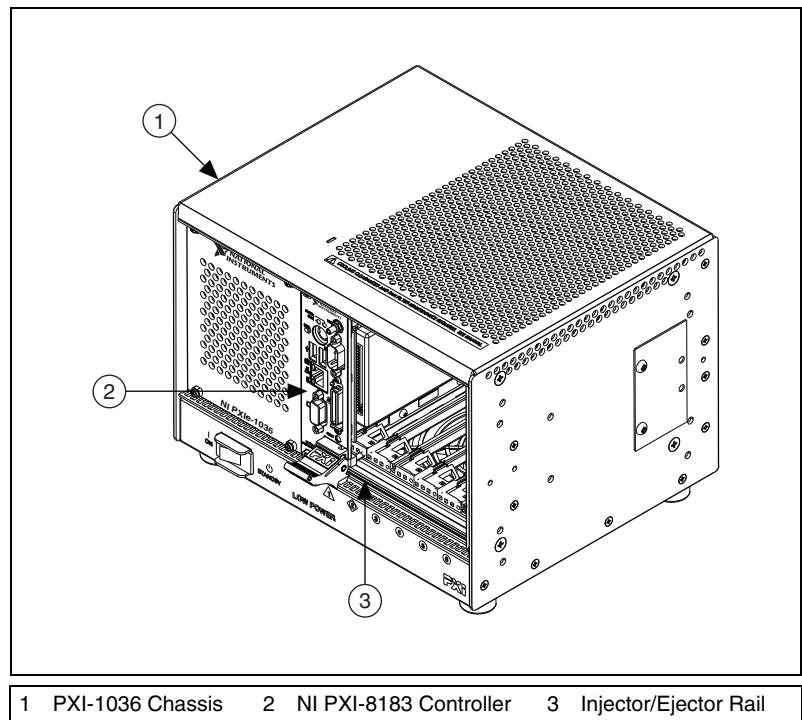


Figure 2-2. NI PXI-8183 Controller Installed in a PXI Chassis

How to Remove the Controller from the PXI Chassis

The NI PXI-8183 controllers are designed for easy handling. To remove the unit from the PXI chassis, complete the following steps:

1. Power off the chassis.
2. Remove the bracket-retaining screws in the front panel.
3. Press the injector/ejector handle down.
4. Slide the unit out of the chassis.

BIOS Setup

You can change the NI PXI-8183 configuration settings in the BIOS setup. The BIOS is the low-level interface between the hardware and PC software that configures and tests your hardware when you boot the system. The BIOS setup program includes menus for configuring settings and enabling NI PXI-8183 controller features.

Most users do not need to use the BIOS setup program, as the NI PXI-8183 controller ships with default settings that work well for most configurations.



Caution Changing BIOS settings may lead to incorrect controller behavior and possibly an unbootable controller. If this happens, follow the instructions for restoring default settings in the *System CMOS* section. In general, do *not* change a setting unless you are absolutely certain what it does.

Entering BIOS Setup

To start the BIOS setup utility, complete the following steps:

1. Power on or reboot your NI PXI-8183 controller.
2. When the message **Press to enter SETUP** appears, press <Delete> or on the numeric keypad. The message **Entering Setup...** appears, and the setup program is loaded after a short delay.
3. When you first enter the BIOS setup program, it displays the **Main** menu.

Use the following keys to navigate through the BIOS setup.

- **Left Arrow, Right Arrow**—Use these keys to move between the different setup menus. If you are in a submenu, these keys have no effect, and you need to press <Esc> to leave the submenu first. (To use the arrows on the numeric keypad, you must turn off Num Lock.)

- **Up Arrow, Down Arrow**—Use these keys to move between the options within a setup menu. (To use the arrows on the numeric keypad, you must turn off Num Lock.)
- **<Enter>**—Use this key either to enter a submenu or display all available settings for a highlighted configuration option.
- **<Esc>**—Use this key to return the parent menu of a submenu. At the top-level menus, this key serves as a shortcut to the **Exit** menu.
- **<+> and <->**—Use these keys to cycle between all available settings for a selected configuration option.

Main Setup Menu

The most commonly accessed and modified BIOS settings are in the **Main** setup menu. The **Main** setup menu includes the following settings:

- **System Time & Date**—This setting controls the time of day, which is stored in a battery-backed real-time clock. Most operating systems also include a way to change this setting. Use <+> and <-> in conjunction with <Enter> to change these values.
- **DMI Event Logging**—This setting brings up the **DMI Event Logging** submenu. (Refer to the [DMI Event Logging Submenu](#) section.)
- **Require Keyboard to Boot**—When **Yes**, a missing or malfunctioning keyboard causes the BIOS to halt with an error. When **No**, the BIOS allows booting without a keyboard. If you are using a USB keyboard, you may attach it at any time during the powered up state. If you are using a PS/2 keyboard, you must power down the controller and then attach the keyboard. To use this controller in a “headless” mode, you must set this option to **No**. The default value is **Yes**.
- **Num Lock**—This setting indicates whether you turn on Num Lock at boot time. The default value is **On**.
- **Primary/Secondary Master/Slave**—These items display the IDE/ATA devices detected in the system. Normally, you do not need to modify these items. However, if an IDE/ATA device is not autodetected properly, you can specify it manually by pressing <Enter> on an item.
- **System Information**—This setting displays a screen containing important system information about the NI PXI-8183 controller.

DMI Event Logging Submenu

Major errors that occur during the BIOS booting process are stored in battery-backed memory on the controller, and remain there until you view and clear them using this submenu. This logging capability allows a system administrator to detect the historical occurrence of faults on a controller. This submenu includes the following items:

- **View DMI Event Log**—This setting displays a window containing all logged system errors and the time at which they occurred.
- **Mark Events as Read**—This setting prevents any current logged entries from being displayed again. However, all entries remain in battery-backed memory, and you can retrieve them using other DMI software that is beyond the scope of this document.
- **Clear All Events**—When set to **Yes**, this setting clears all entries from the DMI event log on reboot.
- **Event Logging**—This setting controls whether events are logged. Disabling logging has no impact on system performance. The default is **Enabled**.

Advanced Setup Menu

This menu contains BIOS settings that normally do not require modification. If you have specific problems such as unbootable disks or resource conflicts, you may need to examine these settings.



Caution Changing settings in this menu may result in an unstable or unbootable controller. If this happens, follow the procedures outlined in the [System CMOS](#) section to restore BIOS settings to their factory defaults.

The **Advanced** setup menu includes the following settings:

- **Reset Configuration Data**—A portion of the EEPROM on the controller is designated as the Extended System Configuration Data region (ESCD). The BIOS and Plug-and-Play operating systems use this table to store the *Last Known Good* configuration of system peripherals. If you experience resource conflicts or peripheral malfunction, set this setting to **Yes** to force the BIOS to recreate the ESCD on the next reboot. This is rarely necessary.
- **Integrated Peripherals**—Use this setting to bring up the **Integrated Peripherals** submenu. (Refer to the [Integrated Peripherals Submenu](#) section.)

- **Local Bus IDE Adapter**—The NI PXI-8183 controller has two integrated IDE/ATA channels (Primary and Secondary), each capable of supporting two ATA devices (Master and Slave). Use this setting to disable one or more of these integrated channels. You should modify this setting only if specified in other sections of this manual. The default is **Both**.
- **Quick Boot Mode**—When you enable this option, certain lengthy BIOS tests that rarely fail are skipped to shorten controller boot time. The default is **Enabled**.
- **Summary Screen**—This setting controls the display of the summary screen shown after BIOS completes its initialization, but before booting takes place. You can disable this screen in the interest of shortening controller boot time. The default is **Disabled**.
- **PXE Network Boot**—This setting enables the option for booting from a network PXE server on the subnet. The default is **Disabled**.

Integrated Peripherals Submenu

Use this submenu to apply nondefault configurations to the front panel peripherals of an NI PXI-8183 controller. Normally, you do not need to modify these settings, as the factory default settings provide the most compatible and optimal configuration possible.

- **Serial Port A & B**—This setting enables or disables COM1 and COM2. You also can change this setting to **Enabled** and modify the base address and Interrupt Request Level (IRQ) of a port. The NI PXI-8183 does not have a COM2, so **Serial Port B** is always disabled. The default is **Auto**, which places COM1 at 0x3F8 IRQ 4 and COM2 at 0x2F8 IRQ 3.
- **Parallel Port**—Use this setting to enable or disable LPT1. You also can change this setting to **Enabled** and modify the base address, IRQ level, and ISA Direct Memory Access (DMA) channel of the port. The default is **Auto**, which places LPT1 at 0x378, IRQ 7, using ISA DMA Channel 3 if necessary.
- **Parallel Port Mode**—The PC industry has created several different modes of operation for this port over the years. Usually, the default setting works for all applications. However, if a parallel port device specifically requires a nondefault setting, you can change it here. The default is **Bidirectional**, for full IEEE 1284 capabilities.

- **Floppy Drive**—You can route the internal signals used for the 3.5 in. floppy drive operation through the pins on the parallel port connector. Use this setting to operate the NI PXI-8183 controller with a specialized external floppy drive. Normally, using a Universal Serial Bus (USB) floppy drive is preferable to this option, which requires a specially designed drive and cable. (Refer to the [Parallel Port](#) section of Chapter 3, [I/O Information](#), for pinout information.) Setting this option to **Parallel Port** disables normal LPT1 functionality. The default is **Disabled**.
- **Legacy USB Support**—Use this setting to use a USB keyboard and mouse as if they were standard PS/2-style peripherals. You *must* enable this setting to use these devices in operating systems with no USB support and to boot from a USB floppy or CD-ROM. The BIOS setup screen always works with USB keyboards regardless of this setting. Certain real-time applications may require you to disable this setting to reduce loop time jitter. The default is **Enabled**.

PXI Setup Menu

Use this menu to control and route certain signals on the PXI backplane. Normally, you do not need to modify these settings. However, other sections of this manual may indicate that modifications are necessary and may lead to unpredictable behavior.

- **INTP Routing**—You can route INTP to ISA IRQ 14, for use by a PXI device functioning as a Primary IDE Controller. The default setting is **Not Routed**.
- **INTS Routing**—You can route INTS to ISA IRQ 15, for use by a PXI device functioning as a Secondary IDE Controller. You also can route it to the controller's 21-frame serialized IRQ input, for use by certain PXI carrier cards. The default setting is **Not Routed**.



Note If INTS or INTP is routed to an ISA IRQ, you *must* disable one or both channels of the integrated IDE/ATA controller for correct operation of this routing.

LabVIEW RT Setup Menu



Note This menu is visible only if the controller supports LabVIEW RT.

Use this menu to configure boot options for LabVIEW RT if it is installed on the controller. If you are not using LabVIEW RT, you should leave these settings as default.



Note These settings override the behavior of the switches on SW1. Refer to the [LabVIEW RT Configuration Switches](#) section for more information. To use the settings from the switches, select **Use Hardware Switch** for each option.

- **Boot Configuration**—This setting selects whether the controller should boot LabVIEW RT, LabVIEW RT Safe Mode, or an installed OS such as Windows XP. The default is **Use Hardware Switch**.
- **Disable Startup VI**—If the controller becomes inaccessible because of a startup VI, this switch can prevent VIs from automatically running at startup. The default is **Use Hardware Switch**.
- **Reset IP Address**—If the controller is deployed to a different subnet from which it was originally configured, or if the current IP address is invalid, use this switch to reset the IP address to 0 . 0 . 0 . 0 during LabVIEW RT startup. The default is **Use Hardware Switch**.

Security Setup Menu

Use this menu to apply system-level passwords to the NI PXI-8183 controller. With these passwords, you can restrict access to the BIOS setup program, floppy drives, and operating systems installed on bootable devices. If you forget any password, you can restore the CMOS contents to the factory default as described in the [System CMOS](#) section.



Note In most chassis configurations, an unauthorized user has easy access to the jumper that resets the CMOS contents to the factory default. For a secure setup of this controller, National Instruments recommends further provisions that are beyond the scope of this document.

The Security setup menu includes the following settings:

- **Set Supervisor Password**—This setting sets the password that governs supervisor-level access to the BIOS setup screen and booting. The default is **no password**.
- **Set User Password**—This setting sets the password that governs user-level access to the BIOS setup screen and booting. If you enter

BIOS setup using the user password, the only BIOS setting you can modify is the user password. The default is **no password**.

- **Password on Boot**—This setting controls whether the controller requires a supervisor or user password to boot an operating system. If you enter the supervisor password on boot, you have supervisor-level diskette access. If you enter the user password on boot, you have user-level diskette access.
- **Write Protect Boot Sector**—When set to **Yes**, this setting prevents modification of a hard disk boot sector through INT 13h services, which may help prevent certain computer viruses from infecting the controller. This setting does not prevent boot sector modification by 32-bit operating system drivers that access the hard disk directly. The default is **No**.



Note To disable a current password, leave the new password field blank by pressing <Enter> on the field.

Boot Setup Menu

This screen displays the boot order of devices associated with the controller. The BIOS proceeds down this list in search of a bootable device. If the BIOS fails to find any bootable device, the message **Operating System Not Found** is displayed, and the system halts.

- **Removable Devices**—The boot list includes floppy drives, ZIP drives, and some USB-based devices.
- **Hard Drive**—The boot list includes all IDE/ATA and USB hard disks detected on the system. Press <Enter> on this entry to expand it to select the boot priority of individual IDE/ATA hard drives.
- **CD-ROM Drive**—The boot list includes all classes of CD-ROM drive, including USB drives.



Notes If an SCSI host adapter exists in the system, this menu has an additional entry for SCSI devices.

If **PXE Network Boot** is enabled, this menu has an additional entry for the Ethernet interface.

Exiting BIOS Setup

The **Exit** setup menu includes all available options for exiting, saving, and loading the BIOS default configuration. As an alternative to this screen, press <F9> to load BIOS default settings and <F10> to save changes and exit setup.

The **Exit** setup menu includes the following settings:

- **Exit Saving Changes**—Any changes made to BIOS settings are stored in the battery-backed System CMOS. The setup program then exits and reboots the controller.
- **Exit Discarding Changes**—Any changes made to BIOS settings during this session of the BIOS setup program are discarded. The setup program then exits and boots the controller without rebooting first.
- **Load Setup Defaults**—This setting restores all BIOS settings to the factory default. This is useful if the controller exhibits unpredictable behavior due to an incorrect or inappropriate BIOS setting. Notice that any nondefault settings such as boot order, passwords, and keyboardless operation are restored to their factory defaults. This may produce undesirable behavior, and in heavily customized cases, may cause the controller to malfunction or fail to boot.
- **Discard Changes**—Any changes made to BIOS settings during this session of the BIOS setup program are discarded. Unlike **Exit Discarding Changes**, however, the BIOS setup continues to be active.
- **Save Changes**—Changes made to BIOS settings during this session are committed to battery-backed System CMOS. The setup program remains active, allowing further changes.

System CMOS

The NI PXI-8183 contains a backed-up memory used to store BIOS configuration information.

Complete the following steps to clear the CMOS contents:

1. Power off the chassis.
2. Remove the controller from the chassis.
3. Move the jumper on J1 from pins 1–2 to pins 2–3, as shown in Figure 2-3.



Caution Do not leave the jumper on pins 2–3. Doing so decreases battery life.

4. Wait one second. Move the jumper back to pins 1–2.
5. Reinstall the controller in the chassis.

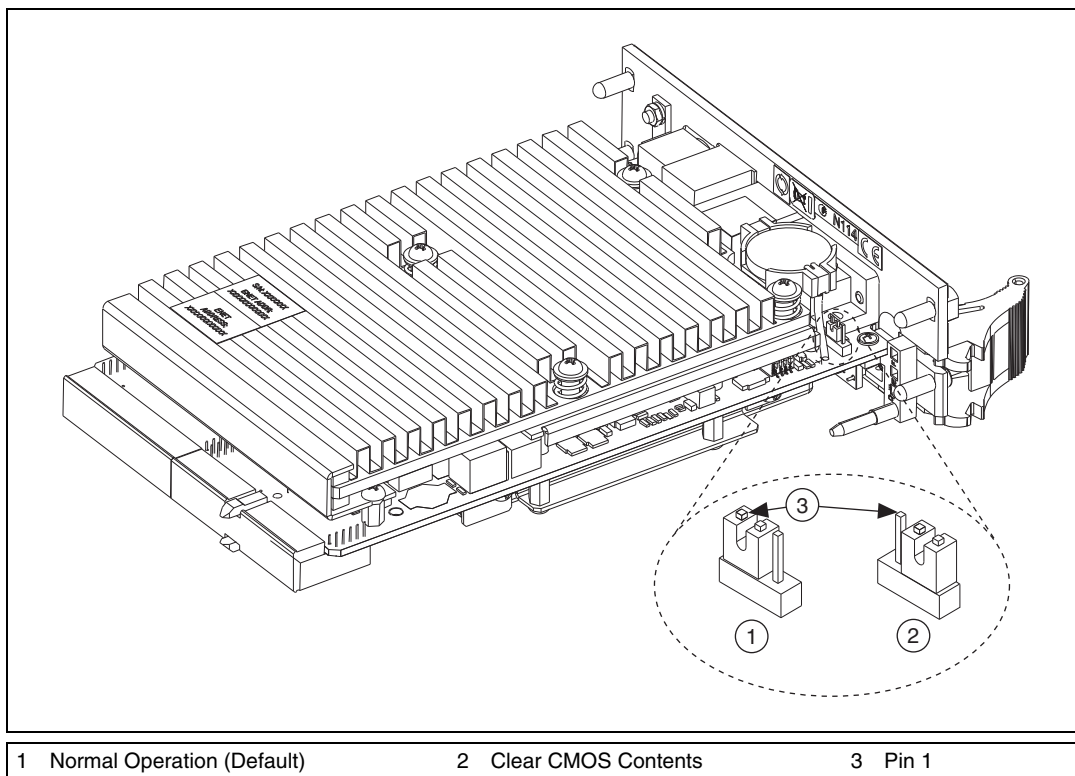


Figure 2-3. Clearing the CMOS Contents (NI PXI-8183 Shown)

LabVIEW RT Configuration Switches



Note These switches are functional only if the controller supports LabVIEW RT.

Use the LabVIEW RT configuration switches to configure LabVIEW RT if it is installed on the controller. If you are not using LabVIEW RT, these switches should remain in the OFF position. The controller reads these switches only after a system reset. You must reboot the controller for any changes to take place.

The NI PXI-8183 controller includes the following LabVIEW RT configuration switches:

- **Switch 1—Reset IP Address:** Set this switch to ON to reset the IP address to 0.0.0.0 and other TCP/IP settings to their defaults. Use this switch if moving the controller to a different subnet or if the current TCP/IP settings are invalid.
- **Switch 2—Disable Startup VI:** Set this switch to ON to prevent VIs from automatically running at startup if the controller becomes inaccessible because of a startup VI.
- **Switch 3—Boot Safe Mode:** Set this switch to ON to boot LabVIEW RT into safe mode to reconfigure TCP/IP settings and to download or update software from a host computer. This switch overrides the behavior of Switch 1. Booting the controller into safe mode does not start the embedded LabVIEW RT engine. After changing the settings or software, reboot the controller with this switch OFF to resume normal operation.
- **Switch 4—Boot LabVIEW RT:** Set this switch to ON to boot LabVIEW RT.

Figure 2-4 shows the location of the LabVIEW RT configuration switches. The switches are shown in the OFF position.

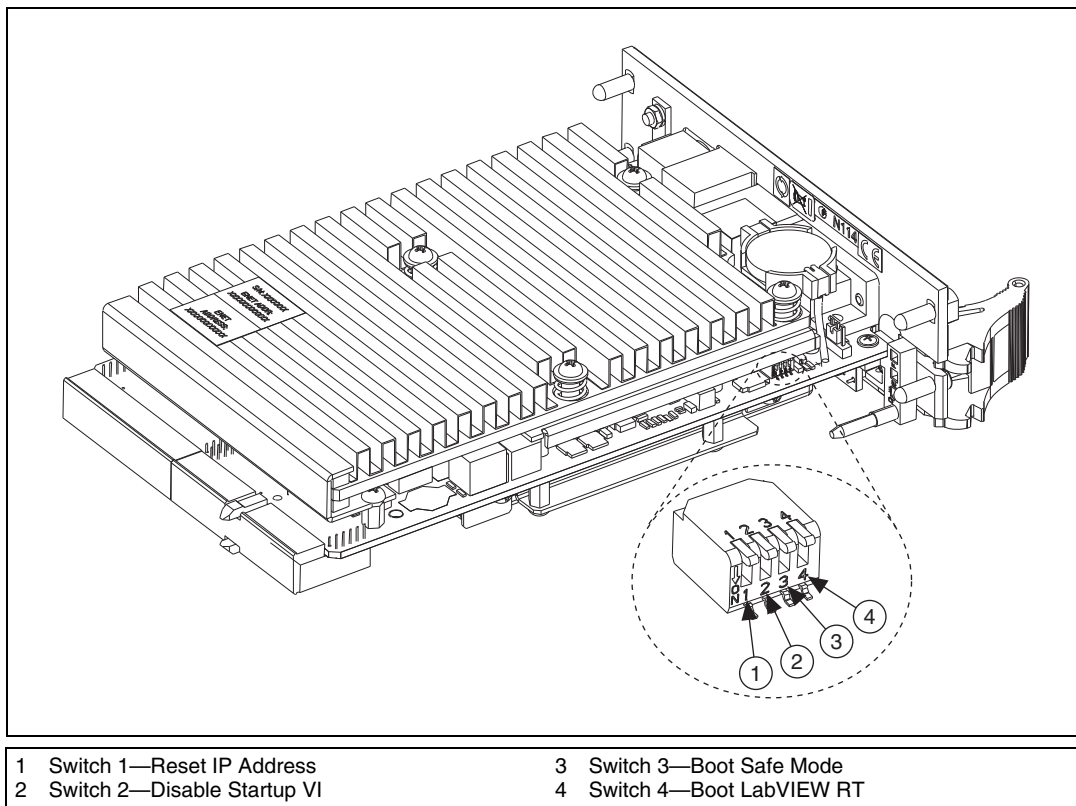


Figure 2-4. LabVIEW RT Configuration Switches

Drivers and Software

Files and Directories Installed on Your Hard Drive

Your hard drive includes a directory called `images` in its root that contains software and soft copies of manuals for the peripherals. The directory structure under the `images` directory is logically organized into several levels.

In the `images` directory, you will find a `manuals` directory, an `os` directory, and directories for each computer peripheral.

The `manuals` directory contains quick reference guides, technical reference manuals, and National Instruments software manuals, all in Adobe Acrobat format. To access any manual, change your directory to `c:\images\pxi-8180>manuals` and list the contents of that directory. You will see several files, one corresponding to each peripheral.

The `os` directory contains a subdirectory corresponding to the operating system installed on your computer.

The rest of the directories correspond to each peripheral in your system. Within each of these directories are the drivers for the peripherals. These files and directories are copied exactly from the manufacturer distribution disks, so the naming conventions vary from peripheral to peripheral.

Because the naming conventions may not be completely straightforward, National Instruments provides a text file named `drivers.txt` in the `c:\images\pxi-8180` directory. The `drivers.txt` file explains how to install support for each peripheral. You may want to print this file for reference when you install your peripheral device drivers.

PXI Features

PXI Trigger Connectivity

The SMB connector on the NI PXI-8183 front panel can connect to or from any PXI backplane trigger line through software. A trigger allocation process is needed to prevent two resources from connecting to the same trigger line, resulting in the trigger being double-driven and possibly damaging the hardware. At the time of this manual's publication, this software is not yet available; however, an interim trigger routing software utility is available from National Instruments. Contact National Instruments at ni.com/support for more information.

Upgrading RAM

You can change the amount of installed RAM on the NI PXI-8183 by upgrading the SO-DIMM.

To upgrade the RAM, remove the NI PXI-8183 from the PXI chassis. Remove the old SO-DIMM module and install the new SO-DIMM in the socket as shown in Figure 2-5.

National Instruments offers the following types of SO-DIMMs for use with the NI PXI-8183 controller.

- 256 MB, 32 MB × 64, 7.5 ns, 1.05 in. max
- 512 MB, 64 MB × 64, 7.5 ns, 1.05 in. max



Note National Instruments has tested and verified that the SO-DIMMs we sell work with the NI PXI-8183. We recommend you purchase your SO-DIMM modules from National Instruments. Other off-the-shelf SO-DIMM modules are not guaranteed to work properly.

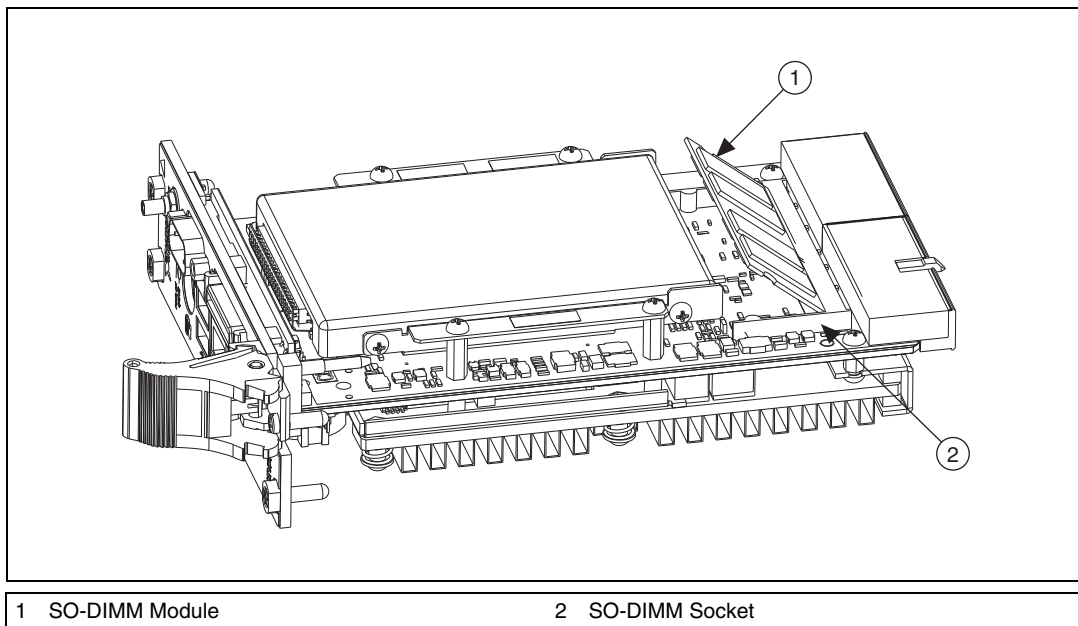


Figure 2-5. Installing a SO-DIMM in an NI PXI-8183 Controller (NI PXI-8183 Shown)

Hard Drive Recovery

NI PXI-8183 controllers include Phoenix Technologies Ltd. Firstware tools, either Recover or Vault, or both. These tools allow you to recover the original factory condition of the hard disk from a small protected area of your hard drive. This protected area contains an image of the hard disk provided to you at the time of shipment. Should you need to restore your software to its original condition, you can access that image by pressing a hot key during the initial boot process. For more information regarding these tools, refer to the documentation on your hard drive in the `c:\Images\Firstware` directory.



Note Your system hot key is <Alt>. To access the Phoenix Firstware Recover tool, press and hold <Alt> when video first appears during the boot process.

If you need to recover your factory-installed operating system from a CD, you can use the included OS installation CD with an external CD-ROM drive such as a USB CD-ROM drive. Boot the PXI controller using the OS installation CD to recover the OS. You also may need to reinstall other software after using the CD to recover the OS.



Note Recovering the OS using Firstware or the recovery CD erases the contents of your hard disk. Back up any files you want to keep.

Installing an OS

NI PXI-8183 controllers include a preinstalled OS. In some cases, you may want to reinstall the OS or install a different OS. When doing so, consider the following guidelines.

Installing from a CD-ROM

The NI PXI-8183 supports the installation of Windows XP from a USB CD-ROM. However, many other operating systems do not support installation from a USB CD-ROM. For example, Windows 2000 aborts during the install process because it does not have drivers for the CD-ROM device.

With DOS drivers, you can install Windows 9x operating systems. However, only a few USB CD-ROM drives have DOS drivers.

As an alternative to a USB CD-ROM drive, you can use an external SCSI CD-ROM with a PXI-SCSI adapter.

Installing from a Network

Complete the following steps to install an OS from a network:

1. Create a network bootdisk. (Refer to the `readme.txt` file in the `netboot` folder on your OS installation CD.)
2. Use another PC on the network with a CD-ROM drive. Share the drive and load the OS installation CD.
3. Boot your NI PXI-8183 using the network boot disk.
4. Run the `net` utility from the `a:` drive. Map the shared CD-ROM (for example, drive `z:`).
5. Run `winnt.exe` from the `\os\i386` directory.



Notes To launch the installation in unattended mode, type:

```
z:\os\i386\winnt.exe /u:z:\os\pxi8180.txt /s:z:\os\i386
```

For additional assistance with installing or changing an operating system, refer to KnowledgeBase 2ZKC02OK at ni.com/support.

I/O Information

Front Panel Connectors

Table 3-1 lists various peripherals and their corresponding NI PXI-8183 external connectors, bus interfaces, and functions.

Table 3-1. NI PXI-8183 Peripherals Overview

Peripheral	External Connector	Function
Video	15-pin D-SUB (standard VGA)	Integrated with Dynamic Video Memory
Serial	COM1 RS-232 Serial Port (9-pin D-SUB)	16550 serial port
10/100 Ethernet	Ethernet	Ethernet network connection
Parallel	Parallel Port (IEEE 1284)	Extended capabilities
USB	4-pin Series A receptacle	Universal Serial Bus (two ports on all models)
Keyboard/mouse	PS/2	PS/2-style keyboard and mouse (mouse requires PS/2 Y splitter)
PXI trigger	Trigger	Routing PXI triggers to or from the backplane trigger bus

Front Panel

Figure 3-1 shows the front panel layout and dimensions of the NI PXI-8183. Dimensions are in inches [millimeters].

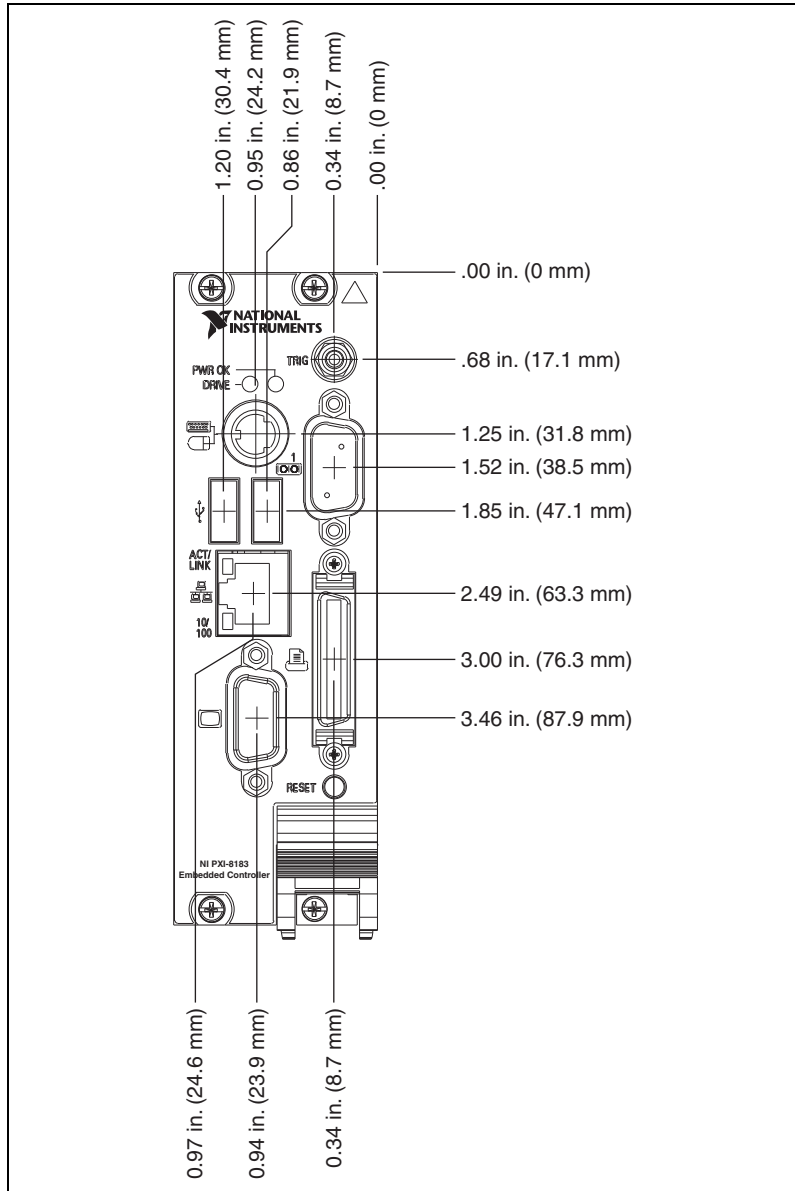


Figure 3-1. NI PXI-8183 Front Panel Layout and Dimensions

VGA

Figure 3-2 shows the location and pinouts for the VGA connector on the NI PXI-8183. Table 3-2 lists and describes the VGA connector signals.

AMP manufactures a mating connector with part numbers 748364-1 (housing) and 748333-2 (pin contact).

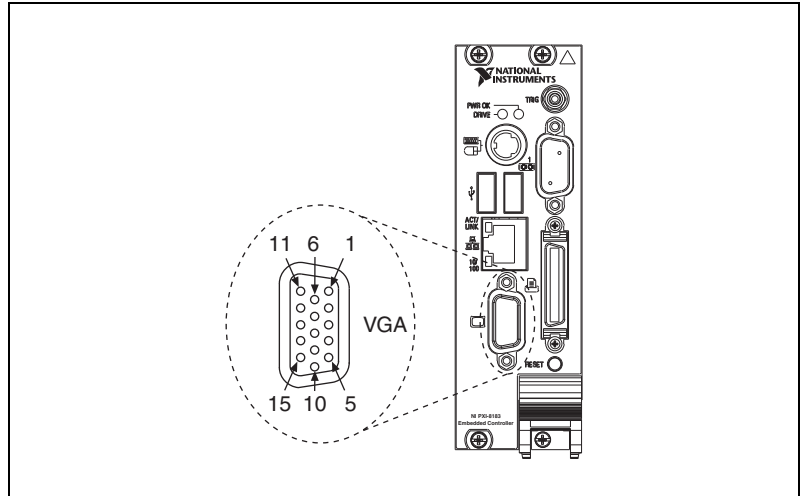


Figure 3-2. VGA Connector Location and Pinout

Table 3-2. VGA Connector Signals

Pin	Signal Name	Signal Description
1	R	Red
2	G	Green
3	B	Blue
4	NC	Not Connected
5	GND	Ground
6	GND	Ground
7	GND	Ground
8	GND	Ground
9	+5V	5 V
10	GND	Ground

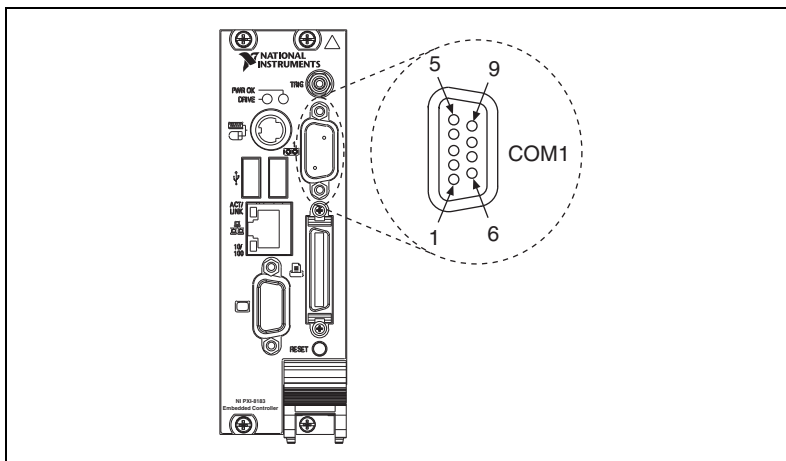
Table 3-2. VGA Connector Signals (Continued)

Pin	Signal Name	Signal Description
11	NC	Not Connected
12	SD	Serial Data
13	HSync	Horizontal Sync
14	VSynC	Vertical Sync
15	SC	Serial Clock

COM1

Figure 3-3 shows the location and pinouts for the COM1 connector on the NI PXI-8183. Table 3-3 lists and describes the COM1 connector signal.

AMP manufactures a serial port mating connector, part number 745491-5.

**Figure 3-3.** COM1 Connector Location and Pinout**Table 3-3.** COM1 Connector Signals

Pin	Signal Name	Signal Description
1	DCD*	Data Carrier Detect
2	RXD*	Receive Data
3	TXD*	Transmit Data
4	DTR*	Data Terminal Ready

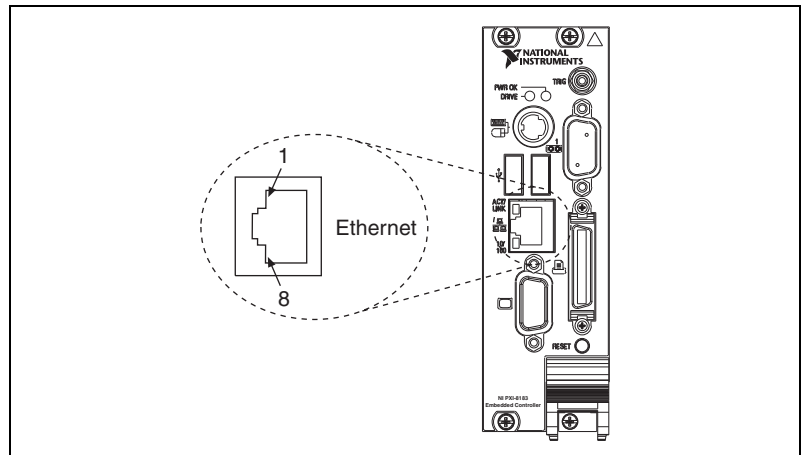
Table 3-3. COM1 Connector Signals (Continued)

Pin	Signal Name	Signal Description
5	GND	Ground
6	DSR*	Data Set Ready
7	RTS*	Ready to Send
8	CTS*	Clear to Send
9	RI*	Ring Indicator

Ethernet

Figure 3-4 shows the location and pinouts for the Ethernet connector on the NI PXI-8183. Table 3-4 lists and describes the Ethernet connector signals.

AMP manufactures a mating connector, part number 554739-1.

**Figure 3-4.** Ethernet Connector Location and Pinout**Table 3-4.** Ethernet Connector Signals

Pin	Signal Description
1	Differential Transmit
2	Differential Transmit
3	Differential Receive
4	NC

Table 3-4. Ethernet Connector Signals (Continued)

Pin	Signal Description
5	NC
6	Differential Receive
7	NC
8	NC

Parallel Port

Figure 3-5 shows the location and pinouts for the IEEE 1284 (parallel) connector on the NI PXI-8183. Table 3-5 lists and describes the IEEE 1284 connector signals.

Parallel port adapter cables are available from National Instruments, part number 777169-01.

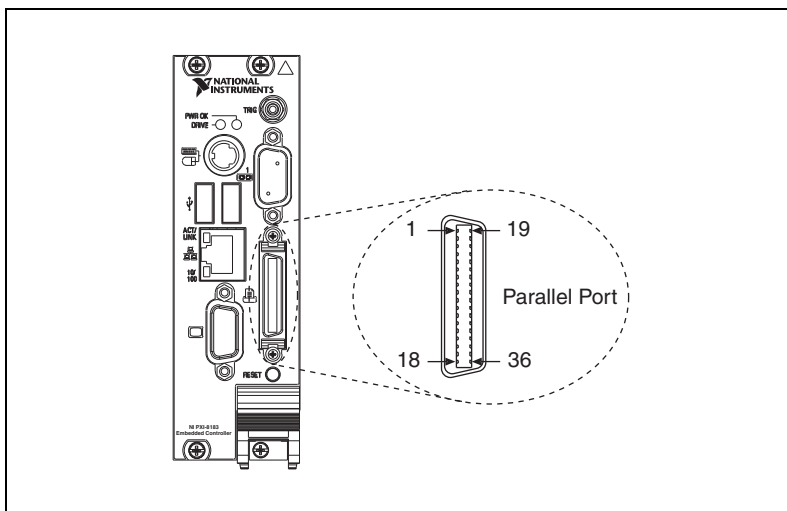


Figure 3-5. Parallel Port Connector Location and Pinout

Table 3-5. Parallel Port Connector Signals

Pin	Default Configuration (LPT)		Floppy Configuration ¹	
	Signal Name	Signal Description	Signal Name	Signal Description
1	BUSY*	Device Busy	MTR1*	Motor on Disk 1
2	SLCTIN*	Select Input	Step*	Step Pulse
3	ACK*	Acknowledge	DS1*	Drive Select 1
4	FAULT*	Fault	WDATA*	Write Disk Data
5	ERROR	Error	HDSEL*	Head Select
6	PD0	Data Bit 0	Index*	Index Pulse Input
7	PD1	Data Bit 1	TRK0*	Track 0
8	PD 2	Data Bit 2	WRTPRT*	Write Protected
9	PD3	Data Bit 3	RDATA*	Read Disk Data
10	PD4	Data Bit 4	DSKCHG*	Disk Change
11	PD5	Data Bit 5	Not Used	—
12	PD6	Data Bit 6	MTR0*	Motor on Disk 0
13	PD7	Data Bit 7	Not Used	—
14	INIT*	Initialize Printer	DIR*	Step Direction
15	STROBE*	Strobe	DS0*	Drive Select 0
16	SLCT	Select	WGATE*	Write Gate
17	AUTOFD	Auto Line Feed	DRV DEN0*	Density Select
18	+5V	+5 V	+5V	+5 V
19–35	GND	Ground	GND	Ground
36	NC	Not Connected	NC	Not Connected

¹ Refer to the *BIOS Setup* section of Chapter 2, *Installation and Configuration*.

Universal Serial Bus

Figure 3-6 shows the location and pinouts for the Universal Serial Bus (USB) connector on the NI PXI-8183. Table 3-6 lists and describes the USB connector signals.

AMP manufactures a USB mating connector, part number 787633.

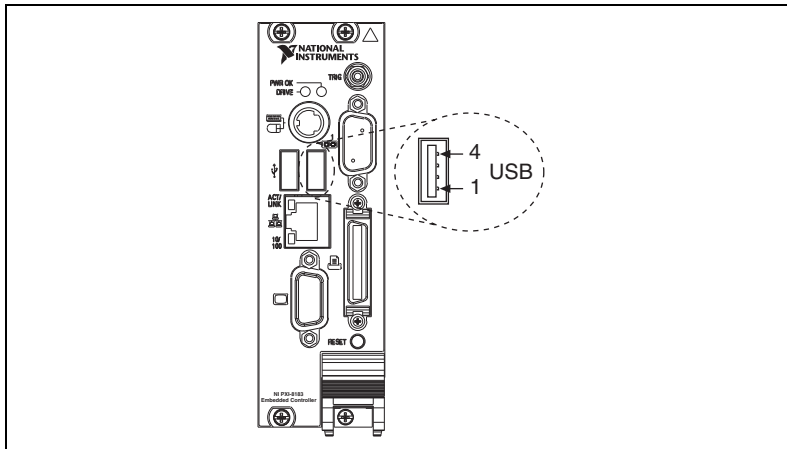


Figure 3-6. USB Connector Location and Pinout

Table 3-6. USB Connector Signals

Pin	Signal Name	Signal Description
1	VCC	Cable Power (+5 V)
2	-Data	USB Data-
3	+Data	USB Data+
4	GND	Ground

PS/2

Figure 3-7 shows the location and pinouts for the PS/2 connector on the NI PXI-8183. Table 3-7 lists and describes the PS/2 connector signals.

To connect both a PS/2 keyboard and PS/2 mouse to the NI PXI-8183, use the Y-splitter adapter cable included with your controller (refer to Figure 4-1, *Y-Splitter Cable*).

Replacement Y-splitter cables are available from National Instruments, part number 778713-01.

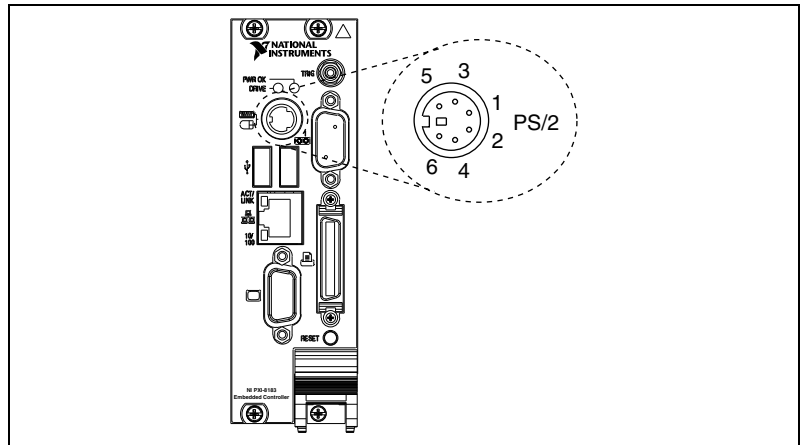


Figure 3-7. PS/2 Connector Location and Pinout

Table 3-7. PS/2 Connector Signals

Pin	Signal Name	Signal Description	Y-Splitter Keyboard	Y-Splitter Mouse
1	DATA	Data Keyboard	Data Keyboard	No Connection
2	NC	Data Mouse	No Connection	Data Mouse
3	GND	Ground	Ground	Ground
4	+5V	+5 V	+ 5	+ 5
5	CLK	Clock Keyboard	Clock Keyboard	No Connection
6	NC	Clock Mouse	No Connection	Clock Mouse

Trigger

The TRG connector is the software-controlled trigger connection for routing PXI triggers to or from the backplane trigger bus.

Figure 3-8 shows the TRG connector location on the NI PXI-8183. Table 3-8 lists and describes the trigger connector signals.

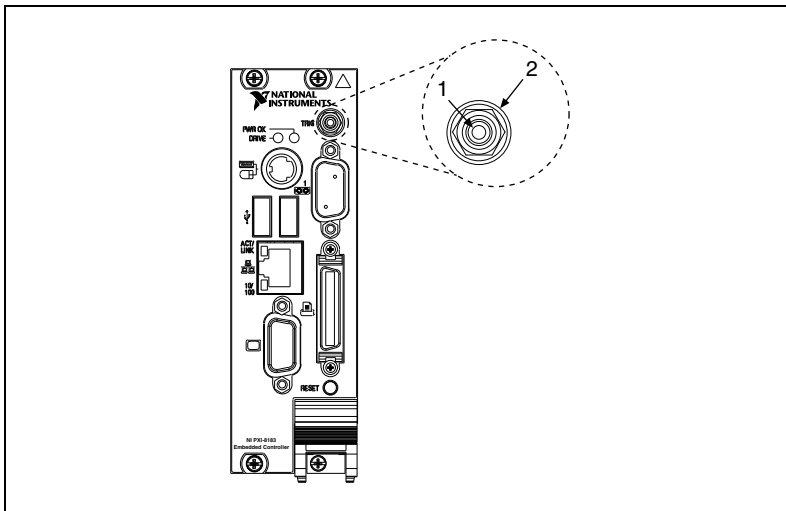


Figure 3-8. TRG Connector Location and Pinout

Table 3-8. TRG Connector Signals

Pin	Signal Name	Signal Description
1	TRIG	Trigger
2 (Shield)	GND	Ground

Front Panel Features

The NI PXI-8183 have the following front-panel features:

- A system reset pushbutton (hold the button for at least two seconds to generate a reset to the controller).
- Two front-panel LEDs that show PC status.
 - The **POWER OK** LED indicates that the power is on and reset is no longer asserted.
 - The **DRIVE** LED indicates when an access to the internal hard disk is occurring.

Data Storage

The NI PXI-8183 have the following data storage features:

- Internal IDE hard drive
 - 2.5 in. notebook hard drive
 - Supports up to ATA-5 (UDMA 100)
- USB storage support—USB CD-ROM, floppy drive, or mass storage device

Common Configuration Questions

This chapter answers common configuration questions you may have when using the NI PXI-8183 embedded controller.

General Questions

What do the LEDs on the NI PXI-8183 front panel mean?

The green LED indicates the power supplies to/on the NI PXI-8183 are within spec. The supplies monitored are 3.3 V, 5 V, +12 V, and the internally regulated processor core voltage. The hard drive LED lights when there is hard drive activity on the NI PXI-8183.

How do I check the configuration of the memory, hard drive, time/date, and so on?

You can view these parameters in the BIOS setup. To enter the BIOS setup, reboot the NI PXI-8183 and press <Delete> during the memory tests. Refer to the *Entering BIOS Setup* section of Chapter 2, *Installation and Configuration*, for more information.

Can I use the internal IDE drive and an external SCSI hard drive at the same time?

Yes.

Boot Options

What devices can I boot from?

The NI PXI-8183 can boot from the following devices:

- The internal IDE hard drive
- An external SCSI hard drive or CD-ROM if an SCSI adapter, such as the PXI-8214, is used
- An external USB mass storage device such as a USB hard drive or CD-ROM
- An external USB floppy drive



Note There are some limitations when booting from a USB device. Windows XP can be installed from a USB CD-ROM, but earlier versions of Windows cannot. The NI PXI-8183 BIOS configures the USB devices so that they will work in a DOS environment.

How do I configure the controller to boot from these devices?

There are two methods:

- Enter Setup and select the **Boot** menu. You will see a list of all bootable devices, ordered by device type. You can set the boot order pressing <+> and <->. Set the order by device type and set the order for the devices listed within the device type.
- To boot from a different device without permanently changing the boot order, press <Esc> during POST. After the BIOS completes the POST and just before the controller boots the OS, the **Boot** menu is displayed. You can select the device type you want to boot from.



Note Two devices cannot share the same IDE channel, and doing so may damage the hardware. If you configure the PC Card ATA drive for the primary channel, you must physically remove the internal IDE drive.

Cables and Connections

How do I plug both a PS/2 mouse and PS/2 keyboard into the controller?

The NI PXI-8183 has a combined PS/2 mouse and PS/2 keyboard connector, so you need to use the PS/2 Y-splitter cable shipped with the NI PXI-8183, shown in Figure 4-1, to connect both a PS/2 mouse and PS/2 keyboard.

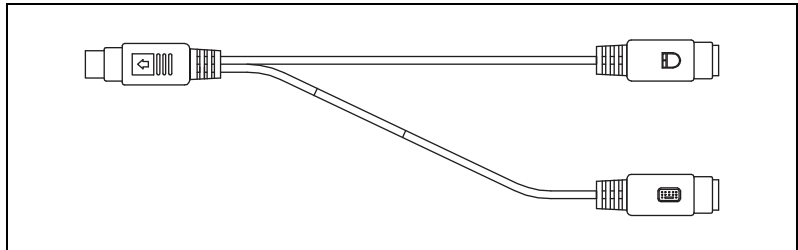


Figure 4-1. Y-Splitter Cable

How do I get a replacement Y-splitter cable?

Y-splitter cables, part number 778713-01, are available through the online catalog at ni.com/products.

What if I don't have a Y-splitter cable? Can I still use a mouse and keyboard?

If you do not have a Y-splitter cable, plug a PS/2 keyboard into the PS/2 combo connector. However, you cannot use a PS/2 mouse without the Y-splitter, so use a serial or USB mouse.

How do I connect a standard 25-pin LPT cable to the NI PXI-8183?

The NI PXI-8183 uses a type C LPT connector. Most parallel port devices use a type A connector. To use a device with a standard type A LPT connector, you need to use a type C-to-type A LPT adapter. Parallel port adapter cables, part number 777169-01, are available through the online catalog at ni.com/products.

Operating System and Software Driver Installation

How do I install or reinstall the video driver?

Refer to the `Drivers.txt` file on the hard drive or recovery CD-ROM.

How do I install or reinstall the Ethernet driver?

Refer to the `Drivers.txt` file on the hard drive or recovery CD-ROM.

How do I install software from a CD?

The compact size of the NI PXI-8183 does not allow for an integrated CD-ROM drive. If you are using Windows XP, you have the following options:

- **USB CD-ROM**—Windows XP supports installing from a USB CD-ROM using a bootable installation CD.
- **SCSI, LPT, or PC Card-based CD-ROM**—Other types of CD-ROM drives are available. Check with the vendor to make sure Windows XP supports the drive.
- **Mapped network drive**—You can use the Ethernet to connect to another computer. If you share the CD-ROM drive on the other computer, you can map the shared CD-ROM drive to a drive letter on the NI PXI-8183.

Chassis Configuration

How do I set up the NI PXI-8183 to work with my chassis?

Configuration of the PXI system is handled through Measurement & Automation Explorer (MAX), included with the software pre-installed on your controller. MAX creates the `pxisys.ini` file, which defines the layout and parameters of your PXI system.

The configuration steps for single or multiple-chassis systems are the same.

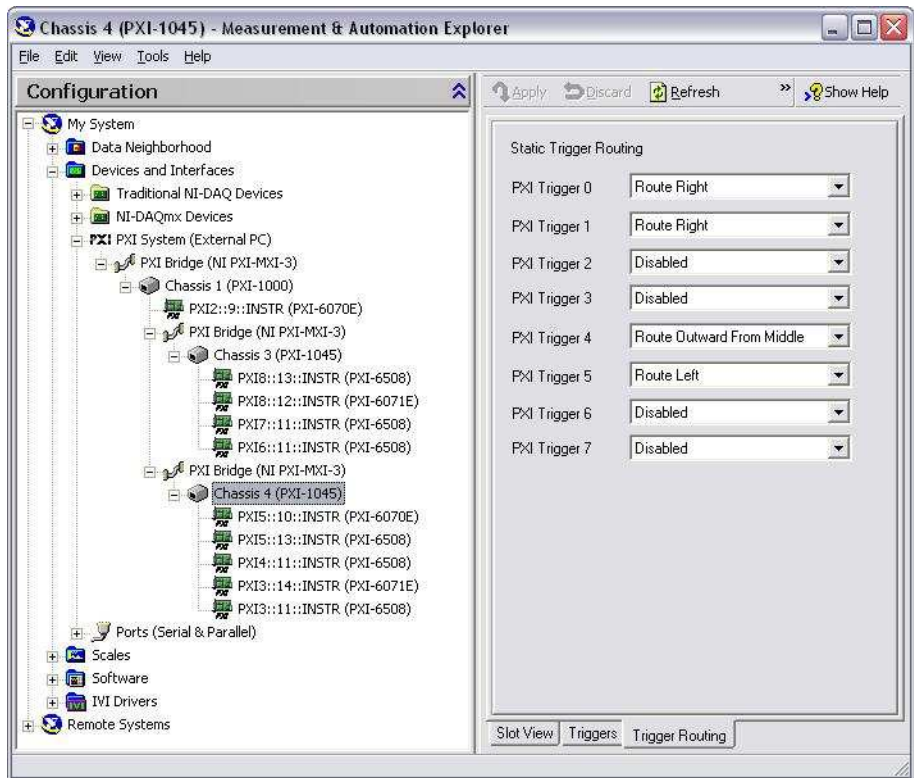


Figure 4-2. Multichassis Configuration in MAX

Basic PXI System Configuration

1. Launch MAX.
2. In the **Configuration** tree, click the **Devices and Interfaces** branch to expand it.
3. If the PXI system controller has not yet been configured, it is labeled **PXI System (Unidentified)**. Right-click this entry to display the pop-up menu, then select the appropriate controller model from the **Identify As** submenu.
4. Click the **PXI System** controller. The chassis (or multiple chassis, in a multichassis configuration) is listed below it. Identify each chassis by right-clicking its entry, then selecting the appropriate chassis model through the **Identify As** submenu. Further expanding the **PXI System** branch shows all devices in the system that can be recognized by NI-VISA. When your controller and all your chassis are identified, the required `pxisys.ini` file is complete.

The PXI specification allows many combinations of PXI chassis and system modules. To assist system integrators, the manufacturers of PXI chassis and system modules must document the capabilities of their products. The minimum documentation requirements are contained in `.ini` files, which consist of ASCII text. System integrators, configuration utilities, and device drivers can use these `.ini` files.

The capability documentation for the chassis is contained in a `chassis.ini` file provided by the chassis manufacturer. The information in this file is combined with information about the system controller to create a single system initialization file called `pxisys.ini` (PXI System Initialization). The NI PXI-8183 uses MAX to generate the `pxisys.ini` file from the `chassis.ini` file.

Device drivers and other utility software read the `pxisys.ini` file to obtain system information. For detailed information regarding initialization files, refer to the PXI specification at www.pxisa.org.

Upgrade Information

How do I upgrade system memory?

You can change the amount of installed RAM on the NI PXI-8183 by upgrading the SO-DIMM.

To upgrade the RAM, remove the NI PXI-8183 from the PXI chassis. Remove the old SO-DIMM module and install the new SO-DIMM in the socket as shown in Figure 4-3.

National Instruments offers the following types of SO-DIMMs for use with the NI PXI-8183 controller.

- 256 MB, 32 MB \times 64, 7.5 ns, 1.05 in. max
- 512 MB, 64 MB \times 64, 7.5 ns, 1.05 in. max



Note National Instruments has tested and verified that the SO-DIMMs we sell work with the NI PXI-8183. We recommend you purchase your SO-DIMM modules from National Instruments. Other off-the-shelf SO-DIMM modules are not guaranteed to work properly.

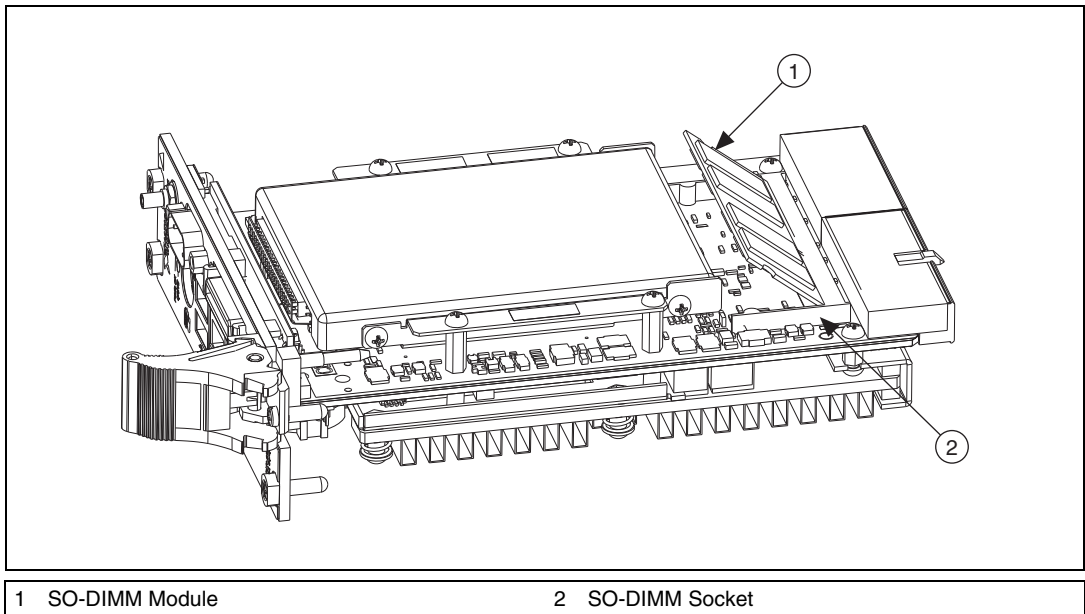


Figure 4-3. Installing a SO-DIMM in an NI PXI-8183 Controller

How do I flash a new BIOS?

For information on updating the BIOS, refer to KnowledgeBase 2GIGKD0Z at ni.com/support.

Where do I get the latest software drivers?

You can download the latest drivers from ni.com/support/pxisupp.htm.

My NI PXI-8183 does not have an internal floppy drive. Is there a way to use an external drive?

Yes. The NI PXI-8183 controllers support and can boot from USB floppy drives. Refer to the [Boot Options](#) section for more information.

A USB floppy drive is available from National Instruments, part number 778492-02.

The LPT port on the NI PXI-8183 also can be configured through the BIOS setup for floppy signals instead of LPT signals. Refer to Chapter 3, [I/O Information](#), for the floppy drive pinout.

PXI Configuration

How do I use the SMB trigger on the front panel?

For details, refer to the [PXI Features](#) section of Chapter 2, [Installation and Configuration](#).

Why doesn't the NI PXI-8183 work with the PXI-8220?

A serialized IRQ conflict with the PXI-8220 and the NI PXI-8183 prevents PC cards using ISA interrupts from working with the NI PXI-8183 controllers. The PXI-8221 is designed to work with the NI PXI-8183 and should be used instead.

Troubleshooting

This chapter answers common troubleshooting questions you may have when using the NI PXI-8183 embedded computer.

What if the NI PXI-8183 does not boot?

Several problems can cause a controller not to boot. Here are some things to look for and possible solutions.

Things to Notice

- Which LEDs come on? The **Power OK** LED should stay lit. The **Drive** LED should blink during boot as the disk is accessed.
- What appears on the display? Does it hang at some particular point (BIOS, Operating System, and so on)? If nothing appears on the screen, try a different monitor. Does your monitor work with a different PC? If it hangs, note the last screen output that you saw for reference when consulting National Instruments technical support.
- What has changed about the system? Did you recently move the system? Was there electrical storm activity? Did you recently add a new module, memory chip, or piece of software?

Things to Try

- Make sure the chassis is plugged in to a working power source.
- Check any fuses or circuit breakers in the chassis or other power supply (possibly a UPS).
- Make sure the controller module is firmly seated in the chassis.
- Remove all other modules from the chassis.
- Remove any nonessential cables or devices.
- Try the controller in a different chassis.
- Try a similar controller in this same chassis.
- Recover the hard drive on the controller.
- Clear the CMOS. (Refer to the *System CMOS* section of Chapter 2, *Installation and Configuration*.)

My controller boots fine until I get to Windows, at which point I cannot read the screen. This may include garbled output, white screen, black screen, or an out of sync message from the monitor.

This problem usually results from having the video card output set past the limits of the monitor. You will need to boot Windows in Safe Mode. To do this, reboot the controller. As Windows begins to boot, hold down <F8>. You should now be able to reset the video driver to lower settings. Try setting the resolution to 640 × 480 and the refresh rate to 60 Hz. Once you reboot, you can raise these values again, using the test option in Windows. These settings are accessible through the **Advanced** tab of the **Display** item in the **Control Panel**. Alternately, you can try a different monitor, preferably a newer and larger one.

My system boots fine as long as a particular module is not in my chassis.

The most common cause of this is a damaged module. Try the module in a different chassis or with a different controller. Also, remove any external cables or terminal blocks connected to the system. If the module does not work in these cases, it is likely damaged. Contact the module manufacturer for further troubleshooting.

Refer to the KnowledgeBase or product manuals section of ni.com for more information specific to the chassis and controller with which you are having difficulties.

My CMOS is corrupted. How do I set it back to default?

1. Enter the BIOS setup program as described in the *Entering BIOS Setup* section of Chapter 2, *Installation and Configuration*.
2. Press <F9> to load BIOS defaults.
3. Answer **Y** (Yes) to the verification prompt.
4. Select **Save and Exit Setup**.

As an alternative method, follow the steps listed in the *System CMOS* section of Chapter 2, *Installation and Configuration*, to clear the CMOS.

Specifications

This appendix lists the electrical, mechanical, and environmental specifications of the NI PXI-8183 embedded computers.

Electrical

Voltage (V)	Current (A)	
	Typical	Maximum
+3.3	3.0 A	4.0 A
+5	4.5 A	6.0 A
+12	0.01 A	0.04 A
-12	0 A	0.0 A

Physical

Board dimensions.....	PXI 3U-size module 4.1 × 13 × 21.6 cm (1.6 × 5.1 × 8.5 in.)
Slot requirements	One system slot plus one controller expansion slot
Compatibility	Fully compatible with <i>PXI Hardware Specification</i> , Revision 2.2
MTBF.....	Contact NI for MTBF
Weight.....	0.82 Kg (1.80 lb) typical

Operating Environment

Ambient temperature range ¹	5 °C to 50 °C ^{2, 3} (Tested in accordance with IEC-60068-2-1 and IEC-60068-2-2.)
Relative humidity range.....	10% to 90%, noncondensing (Tested in accordance with IEC-60068-2-56.)
Altitude	2,000 m (at 25 °C ambient temperature)
Pollution Degree	2

For indoor use only.



Caution Clean the PXI-8183 with a soft nonmetallic brush. Make sure that the device is completely dry and free from contaminants before returning it to service.

Storage Environment

Ambient temperature range	-40 to 65 °C (Tested in accordance with IEC-60068-2-1 and IEC-60068-2-2.)
Relative humidity range.....	5% to 95%, noncondensing (Tested in accordance with IEC-60068-2-56.)

Shock and Vibration

Operational shock	30 g peak, half-sine, 11 ms pulse (Tested in accordance with IEC-60068-2-27. Test profile developed in accordance with MIL-PRF-28800F.)
-------------------------	--

¹ For chassis not available in the online catalog at ni.com, please contact National Instruments for supported operating temperatures.

² 5 to 50 °C for NI PXI-1036 Revision D and later, and NI PXI-1036DC Revision C and later.

³ 5 to 40 °C for NI PXI-1036 Revisions B and C and NI PXI-1036DC Revision B.

Random vibration

Operating	5 to 500 Hz, 0.3 g _{rms} (with solid-state hard drive)
Nonoperating	5 to 500 Hz, 2.4 g _{rms} (Tested in accordance with IEC-60068-2-64. Nonoperating test profile exceeds the requirements of MIL-PRF-28800F, Class B.)



Note Specifications are subject to change without notice.

Safety

This product is designed to meet the requirements of the following standards of safety for electrical equipment for measurement, control, and laboratory use:

- IEC 61010-1, EN 61010-1
- UL 61010-1, CSA 61010-1



Note For UL and other safety certifications, refer to the product label or the [Online Product Certification](#) section.

Electromagnetic Compatibility

This product is designed to meet the requirements of the following standards of EMC for electrical equipment for measurement, control, and laboratory use:

- EN 61326 (IEC 61326): Class A emissions; Basic immunity
- EN 55011 (CISPR 11): Group 1, Class A emissions
- AS/NZS CISPR 11: Group 1, Class A emissions
- FCC 47 CFR Part 15B: Class A emissions
- ICES-001: Class A emissions



Note For the standards applied to assess the EMC of this product, refer to the [Online Product Certification](#) section.



Note For EMC compliance, operate this device with shielded cabling.

CE Compliance

This product meets the essential requirements of applicable European Directives as follows:

- 2006/95/EC; Low-Voltage Directive (safety)
- 2004/108/EC; Electromagnetic Compatibility Directive (EMC)

Online Product Certification

Refer to the product Declaration of Conformity (DoC) for additional regulatory compliance information. To obtain product certifications and the DoC for this product, visit ni.com/certification, search by model number or product line, and click the appropriate link in the Certification column.

Environmental Management

National Instruments is committed to designing and manufacturing products in an environmentally responsible manner. NI recognizes that eliminating certain hazardous substances from our products is beneficial not only to the environment but also to NI customers.

For additional environmental information, refer to the *NI and the Environment* Web page at ni.com/environment. This page contains the environmental regulations and directives with which NI complies, as well as other environmental information not included in this document.

Waste Electrical and Electronic Equipment (WEEE)



EU Customers At the end of their life cycle, all products *must* be sent to a WEEE recycling center. For more information about WEEE recycling centers and National Instruments WEEE initiatives, visit ni.com/environment/weee.htm.

电子信息产品污染控制管理办法（中国 RoHS）



中国客户 National Instruments 符合中国电子信息产品中限制使用某些有害物质指令 (RoHS)。关于 National Instruments 中国 RoHS 合规性信息, 请登录 ni.com/environment/rohs_china。(For information about China RoHS compliance, go to ni.com/environment/rohs_china.)

Battery Replacement and Disposal

This device contains a long-life coin cell battery. If you need to replace it, use the Return Material Authorization (RMA) process or contact an authorized National Instruments service representative.

After replacement, recycle the old battery. For additional information, visit ni.com/environment.

Technical Support and Professional Services

Visit the following sections of the award-winning National Instruments Web site at ni.com for technical support and professional services:

- **Support**—Technical support at ni.com/support includes the following resources:
 - **Self-Help Technical Resources**—For answers and solutions, visit ni.com/support for software drivers and updates, a searchable KnowledgeBase, product manuals, step-by-step troubleshooting wizards, thousands of example programs, tutorials, application notes, instrument drivers, and so on. Registered users also receive access to the NI Discussion Forums at ni.com/forums. NI Applications Engineers make sure every question submitted online receives an answer.
 - **Standard Service Program Membership**—This program entitles members to direct access to NI Applications Engineers via phone and email for one-to-one technical support as well as exclusive access to on demand training modules via the Services Resource Center. NI offers complementary membership for a full year after purchase, after which you may renew to continue your benefits.

For information about other technical support options in your area, visit ni.com/services, or contact your local office at ni.com/contact.

- **Training and Certification**—Visit ni.com/training for self-paced training, eLearning virtual classrooms, interactive CDs, and Certification program information. You also can register for instructor-led, hands-on courses at locations around the world.
- **System Integration**—If you have time constraints, limited in-house technical resources, or other project challenges, National Instruments Alliance Partner members can help. To learn more, call your local NI office or visit ni.com/alliance.

- **Declaration of Conformity (DoC)**—A DoC is our claim of compliance with the Council of the European Communities using the manufacturer’s declaration of conformity. This system affords the user protection for electromagnetic compatibility (EMC) and product safety. You can obtain the DoC for your product by visiting ni.com/certification.
- **Calibration Certificate**—If your product supports calibration, you can obtain the calibration certificate for your product at ni.com/calibration.

If you searched ni.com and could not find the answers you need, contact your local office or NI corporate headquarters. Phone numbers for our worldwide offices are listed at the front of this manual. You also can visit the Worldwide Offices section of ni.com/niglobal to access the branch office Web sites, which provide up-to-date contact information, support phone numbers, email addresses, and current events.

Glossary

Symbol	Prefix	Value
n	nano	10^{-9}
μ	micro	10^{-6}
m	milli	10^{-3}
k	kilo	10^3
M	mega	10^6
G	giga	10^9
T	tera	10^{12}

Symbols

° Degrees

Ω Ohms

% Percent

A

A Amperes

AC Alternating Current

ASIC Application-specific integrated circuit

B

B Bytes

backplane An assembly, typically a printed circuit board, with connectors and signal paths that bus the connector pins

BIOS Basic Input/Output System. BIOS functions are the fundamental level of any PC or compatible computer. BIOS functions embody the basic operations needed for successful use of the computer's hardware resources.

C

C Celsius

cache Small portion of high-speed memory used for temporary storage of frequently used data

CMOS Complementary Metal Oxide Semiconductor; a process used in making chips

CompactPCI An adaptation of the PCI specification for industrial and/or embedded applications that require a more robust mechanical form factor than desktop PCI. CompactPCI provides a standard form factor for those applications requiring the high performance of PCI as well as the small size and ruggedness of a rack-mount system.

D

DC Direct Current

DIMM Dual In-line Memory Module

DMA Direct Memory Access; a method by which data is transferred between devices and internal memory without intervention of the central processing unit

DRAM Dynamic RAM (Random Access Memory); storage that the computer must refresh at frequent intervals

E

ECP Extended Capabilities Parallel

EDO Extended Data Out

EEPROM Electronically Erasable Programmable Read Only Memory

embedded controller	An intelligent CPU (controller) interface plugged directly into the PXI backplane, giving it direct access to the PXI bus. It must have all of its required PXI interface capabilities built in.
EMC	Electromagnetic Compatibility
EMI	Electromagnetic interference
EPP	Enhanced Parallel Port
expansion ROM	An onboard EEPROM that may contain device-specific initialization and system boot functionality

F

FCC	Federal Communications Commission
-----	-----------------------------------

G

g	<ol style="list-style-type: none"> 1. Grams 2. A measure of acceleration equal to 9.8 m/s²
GPIB	General Purpose Interface Bus (IEEE 488)

g_{rms}	A measure of random vibration. The root mean square of acceleration levels in a random vibration test profile.
------------------	--

H

Hz	Hertz; cycles per second
----	--------------------------

I

I/O	Input/output; the techniques, media, and devices used to achieve communication between machines and users
IDE	Integrated Drive Electronics; hard disk and built-in controller
IEEE	Institute of Electrical and Electronics Engineers
in.	Inches

instrument driver	A set of routines designed to control a specific instrument or family of instruments, and any necessary related files for LabWindows/CVI or LabVIEW
interrupt	A means for a device to request service from another device
interrupt level	The relative priority at which a device can interrupt
IRQ*	Interrupt signal
ISA	Industry Standard Architecture; the original PC bus architecture, specifically the 16-bit AT bus
K	
KB	Kilobytes of memory
L	
LAN	Local Area Network; communications network that serves users within a confined geographical area. It is made up of servers, workstations, a network operating system, and a communications link.
LED	Light-emitting diode
M	
m	Meters
master	A functional part of a PXI device that initiates data transfers on the PXI backplane. A transfer can be either a read or a write.
MB	Megabytes of memory
MTBF	Mean time between failure
MTTR	Mean time to repair

N

NI-488 or NI-488.2	The National Instruments software for GPIB systems
NI-DAQ	The National Instruments software for data acquisition instruments
NI-VISA	The National Instruments implementation of the VISA standard; an interface-independent software that provides a unified programming interface for VXI, GPIB, and serial instruments
NMI	Non-maskable interrupt; high-priority interrupt that cannot be disabled by another interrupt. It is used to report malfunctions such as parity, bus and math coprocessor errors.

P

PCI	Peripheral Component Interconnect. The PCI bus is a high-performance 32-bit or 64-bit bus with multiplexed address and data lines.
PCMCIA	Personal Computer Memory Card International Association
peripheral	Any hardware device connected to a computer, such as a monitor, keyboard, printer, plotter, disk or tape drive, graphics tablet, scanner, mouse, and so on
POST	Power On Self Test
PXI	PCI eXtensions for Instrumentation; an open implementation of CompactPCI that adds electrical features that meet the high-performance requirements of instrumentation applications by providing triggering, local buses, and system clock capabilities. PXI also offers two-way interoperability with CompactPCI products.

R

RAM	Random Access Memory; the computer's primary workspace
RAMDAC	Random Access Memory Digital to Analog Converter; the VGA controller chip that maintains the color palette and converts data from memory into analog signals for the monitor

resource Hardware settings used by devices in a computer system, including ISA interrupt level, DMA channel, and I/O address

RMS Root mean squared. *See also* [g_{rms}](#).

RTC Real Time Clock; an electronic circuit that maintains the time of day, and also can provide timing signals for timesharing operations

S

s Seconds

slave A functional part of a PXI device that detects data transfer cycles initiated by a PXI bus master and responds to the transfers when the address specifies one of the device's registers

SO-DIMM Small Outline Dual In-line Memory Module

SRAM Static RAM; a memory chip that requires power to hold its content. It does not require refresh circuitry as a dynamic RAM chip, but it does take up more space and uses more power.

ST Start Trigger

Star Trigger Slot This slot is located at Slot 2 in a PXI mainframe and has a dedicated trigger line between each peripheral slot. This slot would be used for a module with ST functionality that can provide individual triggers to all other peripherals.

U

USB Universal Serial Bus

V

V Volts

VGA Video Graphics Array; the minimum video display standard for all PCs

W

W Watts

Index

A

Advanced Setup menu, 2-6

B

battery replacement and disposal information, A-5

BIOS

checking settings, 4-1

flashing new BIOS, 4-8

setup

Advanced Setup menu, 2-6

Boot Setup menu, 2-10

DMI Event Logging menu, 2-6

entering, 2-4

Exiting BIOS Setup menu, 2-11

Integrated Peripherals menu, 2-7

LabVIEW RT Setup menu, 2-9

Main Setup menu, 2-5

PXI Setup menu, 2-8

Security Setup menu, 2-9

boot options

configuring controller, 4-2

Setup menu, 2-10

C

calibration certificate (NI resources), B-2

CD-ROM drive, installing software from, 4-4

CE compliance, specifications, A-4

chip set north bridge, 1-4

chip set south bridge, 1-4

CMOS, setting back to default, 5-2

COM1 connector

connector location and pinout (figure), 3-4

connector signals (table), 3-4

common configuration questions

boot options, 4-2

cables and connections, 4-3

chassis configuration, 4-5

driver installation, 4-4

general questions, 4-1

operating system, 4-4

PXI configuration, 4-8

upgrade information, 4-7

CompactPCI specification, 1-1

configuration, common questions

boot options, 4-2

cables and connections, 4-3

chassis configuration, 4-5

driver installation, 4-4

general questions, 4-1

operating system, 4-4

PXI configuration, 4-8

upgrade information, 4-7

connectors

COM1 connector and signals, 3-4

Ethernet connector and signals, 3-5

parallel port connector and signals, 3-6

peripheral expansion overview (table), 3-1

PS/2 connector and signals, 3-9

trigger connector and signals, 3-10

VGA connector and signals, 3-3

conventions used in the manual, *vii*

D

data storage, 3-11

Declaration of Conformity (NI resources), B-2

diagnostic tools (NI resources), B-1

directories and files installed on hard drive, 2-15

DMI Event Logging menu, 2-6

documentation
 how to use this documentation set, *vii*
 NI resources, B-1
DRIVE LED, 3-11
drivers, 2-15
 installation, video, 4-4
 NI resources, B-1
 obtaining latest drivers, 4-8

E

electromagnetic compatibility, A-3
environmental management,
 specifications, A-4
 battery replacement and disposal, A-5
 WEEE information, A-4
Ethernet, connector
 location and pinout (figure), 3-5
 signals (table), 3-5
examples (NI resources), B-1
Exiting BIOS Setup menu, 2-11

F

files and directories installed on hard
 drive, 2-15
floppy drive, using external floppy drive, 4-8
front panel
 connectors, 3-1
 dimensions, 3-2
 features, 3-11
functional overview of NI PXI-8183, 1-2

H

hard drive, 3-11
 files and directories installed on, 2-15
 recovery, 2-17
help, technical support, B-1

I

IDE
 controller, using SCSI hard drive in
 addition, 4-1
 logic block, 1-4
images directory, 2-15
installation
 See also configuration
 configuration in MAX (figure), 4-5
 injector/ejector handle position
 (caution), 2-2
 NI PXI-8183 installed in a PXI chassis
 (figure), 2-3
 procedure, 2-1
 removing NI PXI-8183 from PXI
 chassis, 2-4
 removing protective screw caps
 (figure), 2-2
instrument drivers (NI resources), B-1
Integrated Peripherals menu, 2-7

K

keyboard and mouse
 logic block, 1-4
 overview (table), 3-1
keyboard, plugging PS/2 mouse and keyboard
 into controller, 4-3
KnowledgeBase, B-1

L

LabVIEW, 1-5
LabVIEW RT configuration switches, 2-13,
 2-14
LabVIEW RT Setup menu, 2-9
LabWindows/CVI, 1-5
LEDs, front panel LEDs, 3-11, 4-1
LPT cable, connecting to NI PXI-8183, 4-3

M

- Main Setup menu, 2-5
- manuals directory, 2-15
- mating connector
 - COM1, 3-4
 - Ethernet, 3-5
 - parallel port, 3-6
 - USB, 3-8
 - VGA, 3-3
- Measurement Studio, 1-5
- mouse, plugging PS/2 mouse and keyboard into controller, 4-3

N

- National Instruments
 - software, 1-4
 - support and services, B-1
- NI PXI-8183
 - benefits of PXI, 1-1
 - BIOS setup, 2-4
 - block diagram, 1-3
 - connectors, 3-1
 - COM1 connector and signals, 3-4
 - Ethernet connector and signals, 3-5
 - parallel port connector and signals, 3-6
 - PS/2 connector and signals, 3-9
 - trigger connector and signals, 3-10
 - VGA connectors and signals, 3-3
 - data storage, 3-11
 - front panel
 - dimensions, 3-2
 - features, 3-11
 - LEDs, 4-1
 - system reset pushbutton, 3-11
 - functional overview, 1-2
 - hard drive recovery, 2-17
 - installing in a PXI chassis, 2-1
 - figure, 2-3

- installing SO-DIMMs (figure), 2-16, 4-7
- logic blocks, 1-4
- modules, 1-2
- National Instruments software, 1-4
- peripheral expansion overview (table), 3-1
- PXI trigger connectivity, 2-15
- removing from a PXI chassis, 2-4
- software, 1-4
- specifications, A-1
 - electrical, A-1
 - operating environment, A-2
 - physical, A-1
 - shock and vibration, A-2
 - storage environment, A-2
- troubleshooting, 5-1
- upgrading RAM, 2-16, 4-7
- using external floppy drive with, 4-8
- using with chassis, 4-5

- NI support and services, B-1
- NI-DAQ function library, 1-4
- NI-VISA high-level programming API, 1-5

O

- os directory, 2-15
- OS installation
 - from CD-ROM, 2-17
 - from network, 2-18

P

- parallel port
 - connector location and pinout (figure), 3-6
 - connector signals (table), 3-7
 - overview (table), 3-1
- PCI bus, standard for desktop computer designs, 1-1
- peripheral expansion overview (table), 3-1
- POWER OK LED, 3-11

programming examples (NI resources), B-1
protective screw caps, removing (figure), 2-2
PS/2

connector location and pinout
(figure), 3-9
connector signals (table), 3-9
plugging PS/2 mouse and keyboard into
controller, 4-3

PXI

benefits, 1-1
connectors, function (logic block), 1-4
features, 2-15
Setup menu
setting up PXI in the BIOS, 2-8
trigger connectivity, 2-15

PXI-8220, using NI PXI-8183 with, 4-8
pxisys.ini file, 4-5

R

RAM

SO-DIMMs from National Instruments
(note), 2-16, 4-7
upgrading, 2-16, 4-7

recycling hardware, A-4
recycling the battery, A-5
related documentation, *viii*

S

safety, specifications, A-3
Security Setup menu, 2-9
serial ports, 3-1
See also COM1 connector
slot 1 CPU, 1-4
SO-DIMM
logic block, 1-4
SO-DIMMs
from National Instruments (note), 2-16,
4-7

installing, 2-16, 4-7
figure, 2-16, 4-7

software

See also drivers
installed on your hard drive, 2-15
installing from CD-ROM, 4-4
LabVIEW, 1-5
NI resources, B-1
NI software, 1-4
NI-DAQ, 1-4
NI-VISA, 1-5

specifications

CE compliance, A-4
electromagnetic compatibility, A-3
environmental management, A-4
battery replacement and
disposal, A-5
WEEE information, A-4
online product certification, A-4
safety, A-3

super I/O logic block, 1-4

support, technical, B-1

switches

LabVIEW RT configuration, 2-13
figure, 2-14

system

CMOS, 2-12
reset pushbutton, 3-11

T

technical support, B-1
training and certification (NI resources), B-1
trigger, 3-10, 4-8
connector location and pinout
(figure), 3-10
connector signals (table), 3-10
troubleshooting
CMOS reset, 5-2
controller does not boot, 5-1

- damaged module, 5-2
- NI resources, B-1
- video display, 5-2

U

- Universal Serial Bus (USB)
 - connector function, 1-4
 - connector location and pinout (figure), 3-8
 - connector signals (table), 3-8
 - overview (table), 3-1

V

- VGA
 - connector signals (table), 3-3
 - location and pinout (figure), 3-3
 - overview (table), 3-1

- video, 3-1
 - See also* VGA
 - driver installation, 4-4

W

- Web resources, B-1
- WEEE information, A-4

Y

- Y-splitter cable
 - figure, 4-3
 - obtaining replacement, 4-3
 - using mouse and keyboard without, 4-3
 - using with PS/2 mouse and keyboard, 2-3, 3-9