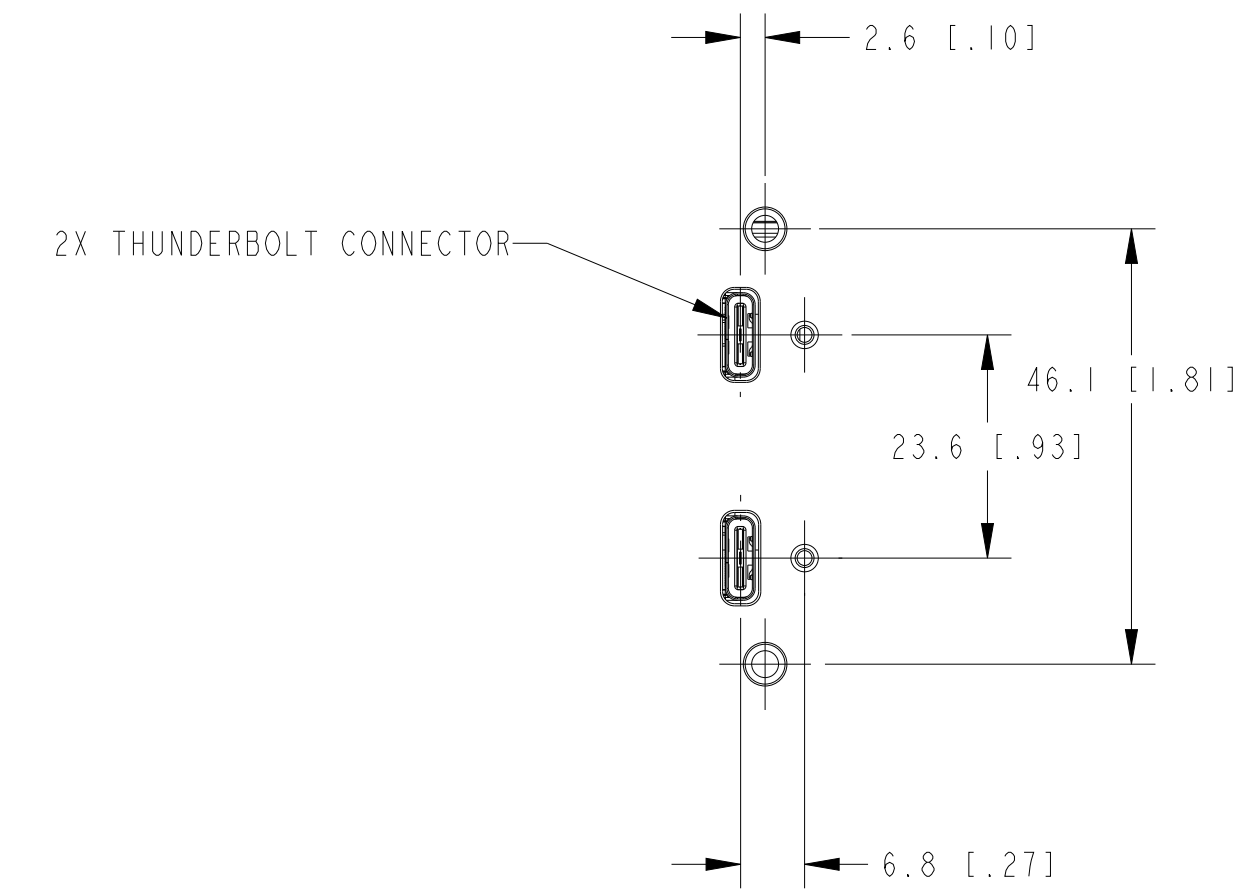
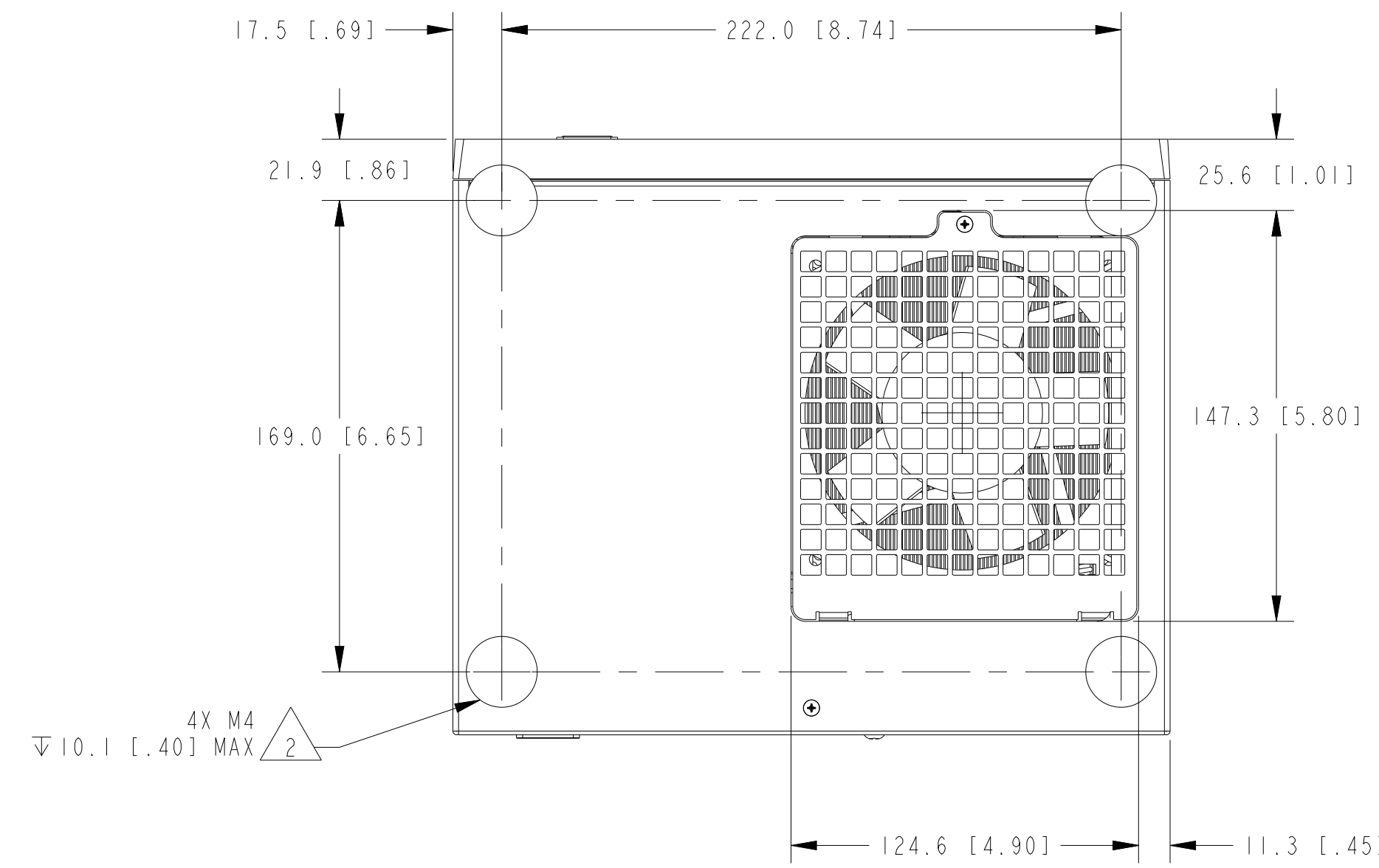


DETAIL A  
SCALE 5/4



DETAIL B  
SCALE 5/4

- 8 USER MUST PROVIDE MINIMUM COOLING/VENTING CLEARANCE AS SHOWN. FAILURE TO PROVIDE THIS CLEARANCE MAY RESULT IN CHASSIS OR MODULE THERMAL RELATED ISSUES.
- 7 BRUSHED METAL FINISH.
- 6 WHITE PC-ABS COLOR
- 5 NI COMPASS BLUE PC-ABS COLOR.
- 4 NI COMPASS WHITE COLOR.
- 3 THERE ARE FOUR M4 HOLES ON EACH SIDE OF CHASSIS FOR OPTIONAL RACK MOUNT KIT.
- 2 FOUR M4 THREAD BOTTOM FEET MOUNTING HOLES MAY BE USED FOR MOUNTING CHASSIS IN CUSTOM APPLICATION.

1. REFER TO PRODUCT MANUAL ON NI.COM FOR MORE DETAILS  
NOTES: UNLESS OTHERWISE SPECIFIED.

METRIC		CUSTOMER DRAWING	
UNLESS OTHERWISE SPECIFIED DIMENSIONS ARE IN MILLIMETERS AND [INCHES]		NI.COM AUSTIN, TEXAS	
DO NOT SCALE DRAWING THIRD ANGLE PROJECTION		TITLE CUSTOMER DRAWING, CHASSIS ASSEMBLY, PX1e-1083	
SCALE: 1/2		SIZE CODE IDENT NO. MM/DD/YYYY D 7U296 07/07/2020	
		SHEET 1 OF 2 CU.PX1E-1083	

