
PXle-5785

Getting Started

2024-01-03



Contents

Getting Started Guide.	3
FlexRIO Documentation and Resources.	3
Verifying the System Requirements.	4
Unpacking the Kit.	4
PXIe-5785 Kit Contents.	5
Preparing the Environment.	5
Installing the Software and Driver Using NI Package Manager.	5
Installing the PXIe-5785.	6
PXIe-5785 Front Panel and Pinout.	8
Configuring the PXIe-5785 in MAX.	11
FlexRIO Examples.	11
Accessing FlexRIO Examples.	11
Block Diagram.	12
Component-Level Intellectual Property (CLIP).	14
Making a Measurement.	14
Making a Measurement with LabVIEW.	14
Troubleshooting.	15
What Should I Do if the PXIe-5785 Does Not Appear in MAX?.	15
What Should I Do if the PXIe-5785 Fails the Self-Test?.	15
Where to Go Next.	16
NI Services.	16

Getting Started Guide

This document explains how to install, configure, test, and use the PXIe-5785. You can program the PXIe-5785 with the following software options.

- FlexRIO driver software
- NI LabVIEW Instrument Design Libraries for FlexRIO (instrument design libraries)



Note Before you begin, install and configure your chassis and controller.



Note Adapter modules are not installable or interchangeable on the PXIe-5785.

© 2018–2021 National Instruments Corporation. All rights reserved. Refer to the <National Instruments>_Legal Information directory for information about NI copyright, patents, trademarks, warranties, product warnings, and export compliance.

FlexRIO Documentation and Resources

Table 1. FlexRIO Documentation and Resources

Document/Resource	Location	Description
PXIe-5785 Getting Started Guide (this document)	Available at ni.com/manuals .	Contains installation instructions and basic programming instructions for your PXIe-5785.
PXIe-5785 Specifications	Available at ni.com/manuals .	Contains specifications for your PXIe-5785.
PXIe-5785 Safety, Environmental, and Regulatory Information	Available at ni.com/manuals .	Contains important safety, environmental, and regulatory information for your PXIe-5785.
LabVIEW FPGA Module Help	Embedded in LabVIEW Help and at ni.com/manuals .	Contains information about the basic functionality of the LabVIEW FPGA Module.

Document/Resource	Location	Description
FlexRIO Help	Available at ni.com/manuals .	Contains information about the FPGA module front panel connectors and I/O, programming instructions, and I/O component-level IP (CLIP).
LabVIEW Examples	Available in NI Example Finder. In LabVIEW, click Help » Find Examples » Hardware Input and Output » FlexRIO .	Contains examples of how to run FPGA VIs and Host VIs on your FlexRIO devices.
FlexRIO product page	Located at ni.com/flexrio .	Contains product information and data sheets for FlexRIO hardware.

Verifying the System Requirements

To use the PXIe-5785, your system must meet certain requirements. For more information about minimum system requirements, recommended system, and supported application development environments (ADEs), refer to the readme, which is installed or available at ni.com/manuals.

Unpacking the Kit



Notice To prevent electrostatic discharge (ESD) from damaging the device, ground yourself using a grounding strap or by holding a grounded object, such as your computer chassis.

1. Touch the antistatic package to a metal part of the computer chassis.
2. Remove the device from the package and inspect the device for loose components or any other sign of damage.



Notice Never touch the exposed pins of connectors.



Note Do not install a device if it appears damaged in any way.

3. Unpack any other items and documentation from the kit.

Store the device in the antistatic package when the device is not in use.

PXIe-5785 Kit Contents

The following items are included in the device kit:

- PXIe-5785
- Documentation:
 - **PXIe-5785 Getting Started Guide** (this document)
 - **PXIe-5785 Safety, Environmental, and Regulatory Information**

Preparing the Environment

Ensure the environment in which you are using the PXIe-5785 meets the following specifications.

Operating environment	
Ambient temperature range	0 °C to 55 °C ^[1]
Relative humidity range	10% to 90%, noncondensing
Maximum altitude	2,000 m (800 mbar) (at 25 °C ambient temperature)
Pollution Degree	2

Indoor use only.



Note For complete specifications, refer to the specifications document for your device at ni.com/manuals.

Installing the Software and Driver Using NI Package Manager

Before installing your hardware, you must install the application software and instrument driver. Install the software in the following order:

1. Install LabVIEW.
Refer to the **LabVIEW Installation Guide** for installation instructions for LabVIEW and system requirements for the LabVIEW software. Refer to the

LabVIEW Upgrade Notes for additional information about upgrading to the most recent version of LabVIEW for Windows. Documentation for LabVIEW is available at ni.com/manuals.

2. Install the LabVIEW FPGA Module.

Refer to the **LabVIEW FPGA Module Release and Upgrade Notes** for installation instructions and information about getting started with the LabVIEW FPGA Module. Documentation for the LabVIEW FPGA Module is available at ni.com/manuals.

3. (Optional) Install the LabVIEW Real-Time Module.

Refer to the **LabVIEW Real-Time Module Release and Upgrade Notes** for system requirements, installation instructions, and additional information about using the LabVIEW Real-Time Module.

4. Install FlexRIO.

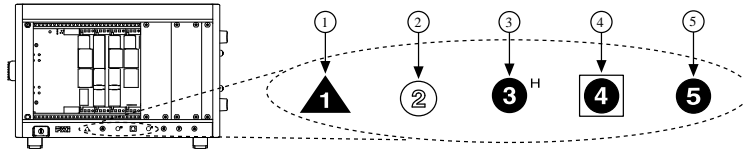
Refer to the **FlexRIO Readme** for system requirements and installation instructions for FlexRIO. Documentation for FlexRIO is available at ni.com/manuals.

Installing the PXIe-5785



Notice To prevent damage to the PXIe-5785 caused by ESD or contamination, handle the module using the edges or the metal bracket.

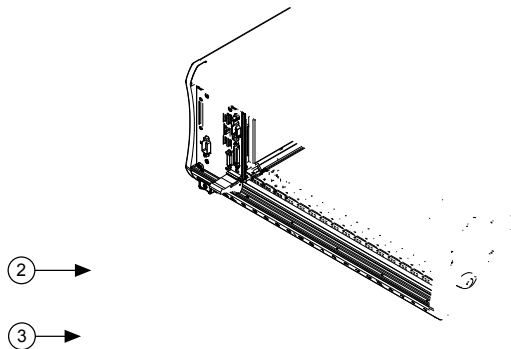
1. Ensure the AC power source is connected to the chassis before installing the module.
The AC power cord grounds the chassis and protects it from electrical damage while you install the module.
2. Power off the chassis.
3. Inspect the slot pins on the chassis backplane for any bends or damage prior to installation. Do not install a module if the backplane is damaged.
4. Remove the black plastic covers from all the captive screws on the module front panel.
5. Identify a supported slot in the chassis. The following figure shows the symbols that indicate the slot types.

Figure 1. Chassis Compatibility Symbols

- a. PXI Express System Controller Slot
- b. PXI Peripheral Slot
- c. PXI Express Hybrid Peripheral Slot
- d. PXI Express System Timing Slot
- e. PXI Express Peripheral Slot

PXIe-5785 modules can be placed in PXI Express peripheral slots, PXI Express hybrid peripheral slots, or PXI Express system timing slots.

6. Touch any metal part of the chassis to discharge static electricity.
7. Ensure that the ejector handle is in the downward (unlatched) position.
8. Place the module edges into the module guides at the top and bottom of the chassis. Slide the module into the slot until it is fully inserted.

Figure 1. Module Installation

- a. Chassis
- b. Hardware Module
- c. Ejector Handle in Downward (Unlatched) Position

9. Latch the module in place by pulling up on the ejector handle.

10. Secure the module front panel to the chassis using the front-panel mounting screws.



Note Tightening the top and bottom mounting screws increases mechanical stability and also electrically connects the front panel to the chassis, which can improve the signal quality and electromagnetic performance.

11. Cover all empty slots using either filler panels (standard or EMC) or slot blockers with filler panels, depending on your application.



Note For more information about installing slot blockers and filler panels, go to ni.com/r/pxiblocker.

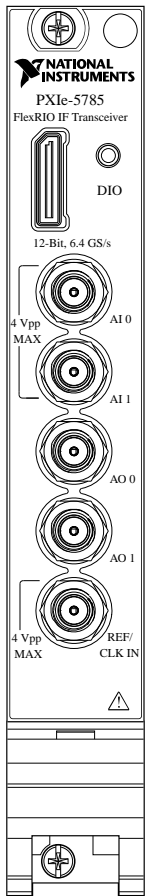
12. Power on the chassis.

PXIe-5785 Front Panel and Pinout

Front Panel

The following figure shows the PXIe-5785 front panel.

Figure 1. PXIe-5785 Front Panel



The following table describes the signal connections for the PXIe-5785.

Connector	Description	Function
DIO	Molex Nano-Pitch DIO connector	Multi-signal DIO connector that provides access to FPGA multi-gigabit transceivers (MGTs) and general-purpose LVCMOS signals.
AI 0:1	Standard SMA female connector	Analog input connection.
AO 0:1	Standard SMA female connector	Analog output connection.
REF/CLK IN	Standard SMA female connector	Input for an external Reference Clock or Sample Clock.

Digital I/O Pinout

The following figure shows the Digital I/O (DIO) connector pinout.

Figure 4. Digital I/O Connector

Reserved	A1	B1	5 V
GND	A2	B2	GND
MGT Rx+ 0	A3	B3	MGT Tx+ 0
MGT Rx- 0	A4	B4	MGT Tx- 0
GND	A5	B5	GND
MGT Rx+ 1	A6	B6	MGT Tx+ 1
MGT Rx- 1	A7	B7	MGT Tx- 1
GND	A8	B8	GND
DIO 4	A9	B9	DIO 6
DIO 5	A10	B10	DIO 7
GND	A11	B11	GND
DIO 0	A12	B12	DIO 2
DIO 1	A13	B13	DIO 3
GND	A14	B14	GND
MGT Rx+ 2	A15	B15	MGT Tx+ 2
MGT Rx- 2	A16	B16	MGT Tx- 2
GND	A17	B17	GND
MGT Rx+ 3	A18	B18	MGT Tx+ 3
MGT Rx- 3	A19	B19	MGT Tx- 3
GND	A20	B20	GND
5.0 V	A21	B21	Reserved

The following table lists the available pins on the DIO connector.

Signal	Type	Direction
MGT Tx± <0..3> ^[1]	Xilinx UltraScale GTH	Output
MGT Rx± <0..3> ^[1]	Xilinx UltraScale GTH	Input
DIO <0..7>	Single-ended	Bidirectional
5.0 V	DC	Output
GND	Ground	—



Notice The maximum input signal levels are valid only when the module is powered on. To avoid permanent damage to the PXIe-5785, do not apply a signal to the device when the module is powered down.



Notice Connections that exceed any of the maximum ratings of any connector on the PXIe-5785 can damage the device and the system. NI is not liable for any damage resulting from such connections.

Configuring the PXIe-5785 in MAX

Use Measurement & Automation Explorer (MAX) to configure your NI hardware. MAX informs other programs about which NI hardware products are in the system and how they are configured. MAX is automatically installed with FlexRIO.

1. Launch MAX.
2. In the configuration tree, expand **Devices and Interfaces** to see the list of installed NI hardware.
Installed modules appear under the name of their associated chassis.
3. Expand your **Chassis** tree item.
MAX lists all modules installed in the chassis. Your default names may vary.



Note If you do not see your module listed, press <F5> to refresh the list of installed modules. If the module is still not listed, power off the system, ensure the module is correctly installed, and restart.

4. Record the identifier MAX assigns to the hardware. Use this identifier when programming the PXIe-5785.
5. Self-test the hardware by selecting the item in the configuration tree and clicking **Self-Test** in the MAX toolbar.
The MAX self-test performs a basic verification of hardware resources.

FlexRIO Examples

FlexRIO includes several example applications for LabVIEW. These examples serve as interactive tools, programming models, and as building blocks in your own applications.

Accessing FlexRIO Examples

FlexRIO examples are available in LabVIEW's NI Example Finder. Complete the following steps to access the examples by task.

1. In LabVIEW, click **Help » Find Examples**.
2. In the NI Example Finder window that appears, click **Hardware Input and Output » FlexRIO**.

Click on an example and refer to the Information window for a description of the example. Refer the Requirements window for a list of hardware that can run the example.

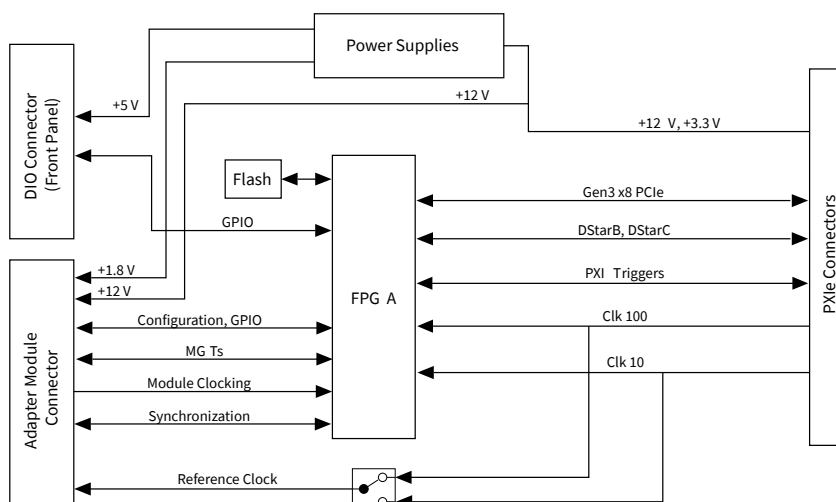
You can also click the Search tab to search all installed examples by keyword. For example, search for FlexRIO to locate all FlexRIO examples.

Online examples are also available to demonstrate FlexRIO basics, such as using DRAM, acquiring data from adapter modules, and performing high throughput streaming. To access these examples, search FlexRIO examples in the **Search the community** field at ni.com/examples.

Block Diagram

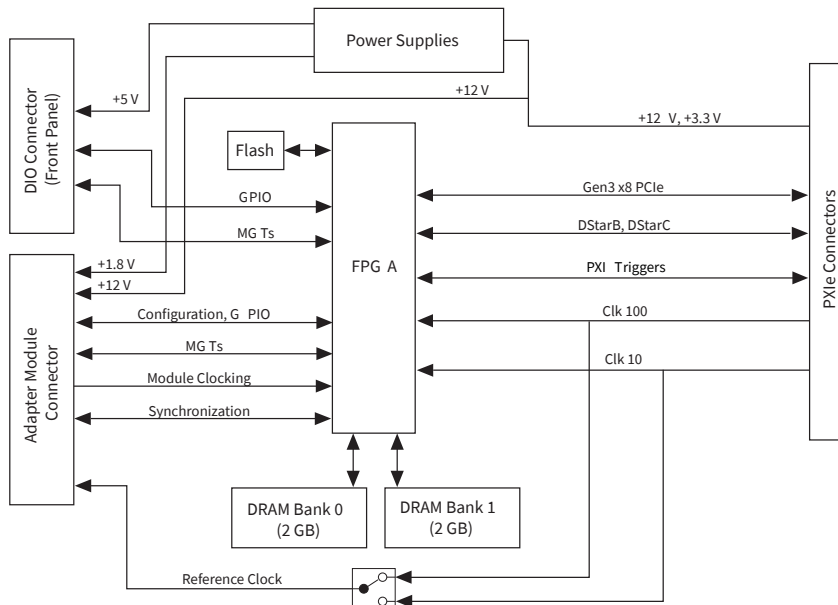
The following figure shows a block diagram of the carrier portion of the PXIe-5785 (KU035 FPGA option).

Figure 1. Carrier Block Diagram (KU035)



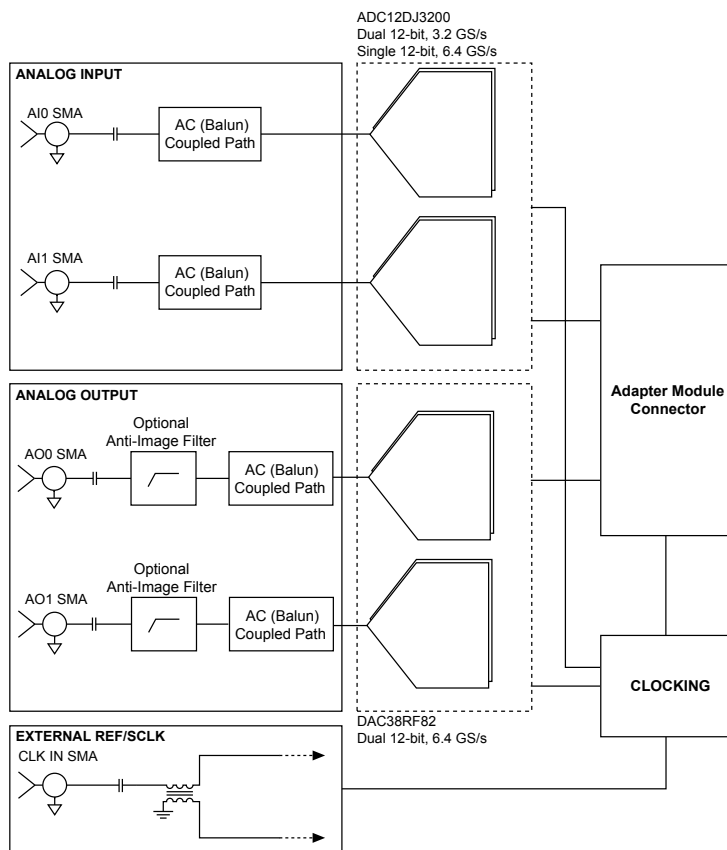
The following figure shows a block diagram of the carrier portion of the PXIe-5785 (KU040 and KU060 FPGA options).

Figure 1. Carrier Block Diagram (KU040 and KU060)



The following figure shows a block diagram of the I/O portion of the PXIe-5785.

Figure 1. PXIe-5785 Block Diagram



Component-Level Intellectual Property (CLIP)

The LabVIEW FPGA Module includes component-level intellectual property (CLIP) for HDL IP integration. FlexRIO devices support two types of CLIP: user-defined and socketed.

- **User-defined CLIP** allows you to insert HDL IP into an FPGA target, enabling VHDL code to communicate directly with an FPGA VI.
- **Socketed CLIP** provides the same IP integration of the user-defined CLIP, but it also allows the CLIP to communicate directly with circuitry external to the FPGA. Adapter module socketed CLIP allows your IP to communicate directly with both the FPGA VI and the external adapter module connector interface.

The PXIe-5785 ships with socketed CLIP items that add module I/O to the LabVIEW project.

Making a Measurement with LabVIEW

1. Launch LabVIEW.
2. Select **Help » Find Example**.
3. Open the example VI that you want to use by selecting **Hardware Input and Output » FlexRIO**.
4. Follow any setup, configuration, and execution instructions in the VI.

Troubleshooting

If an issue persists after you complete a troubleshooting procedure, search our KnowledgeBase for additional information our technical support engineers create as they answer common user questions and resolve unexpected issues.

What Should I Do if the PXIe-5785 Does Not Appear in MAX?

1. In the MAX configuration tree, expand **Devices and Interfaces**.
2. Expand the **Chassis** tree to see the list of installed hardware, and press <F5> to refresh the list.
3. If the module is still not listed, power off the system, ensure that all hardware is correctly installed, and restart the system.
4. Navigate to the Device Manager by right-clicking the Start button, and selecting **Device Manager**.
5. Verify the PXIe-5785 appears in the Device Manager.
 - a. Under an NI entry, confirm that a PXIe-5785 entry appears.



Note If you are using a PC with a device for PXI remote control system, under **System Devices**, also confirm that no error conditions appear for the **PCI-to-PCI Bridge**.

- b. If error conditions appear, reinstall the FlexRIO driver.

What Should I Do if the PXIe-5785 Fails the Self-Test?

1. Restart the system.
2. Launch MAX, and perform the self-test again.

3. Power off the chassis.
4. Reinstall the failed module in a different slot.
5. Power on the chassis.
6. Perform the self-test again.

Where to Go Next

Refer to the following figure for information about other product tasks and associated resources for those tasks.

NI Services

Visit ni.com/support to find support resources including documentation, downloads, and troubleshooting and application development self-help such as tutorials and examples.

Visit ni.com/services to learn about NI service offerings such as calibration options, repair, and replacement.

Visit ni.com/register to register your NI product. Product registration facilitates technical support and ensures that you receive important information updates from NI.

NI corporate headquarters is located at 11500 N Mopac Expwy, Austin, TX, 78759-3504, USA.