

## COMPREHENSIVE SERVICES

We offer competitive repair and calibration services, as well as easily accessible documentation and free downloadable resources.

## SELL YOUR SURPLUS

We buy new, used, decommissioned, and surplus parts from every NI series. We work out the best solution to suit your individual needs.

 Sell For Cash    Get Credit    Receive a Trade-In Deal

## OBSOLETE NI HARDWARE IN STOCK & READY TO SHIP

We stock **New**, **New Surplus**, **Refurbished**, and **Reconditioned** NI Hardware.



*Bridging the gap between the manufacturer and your legacy test system.*

 1-800-915-6216

 [www.apexwaves.com](http://www.apexwaves.com)

 [sales@apexwaves.com](mailto:sales@apexwaves.com)

*All trademarks, brands, and brand names are the property of their respective owners.*

**Request a Quote**

 **CLICK HERE**

**PXIe-8135**

# LabVIEW Communications LTE Application Framework 19.5

This document provides basic information about how to get started with LTE Application Framework.

## Table of Contents

System Requirements.....	2
Hardware Requirements.....	2
Components of the Sample Project.....	4
Sample Project Folder Structure .....	4
Sample Project Operation Modes .....	5
Sample Project Components .....	6
Sample Project Statement of Compliance and Deviations .....	8
Running the Sample Project (Single-Device).....	9
Configuring the Hardware (Single-Device) .....	9
Configuring the USRP Device (Single-Device) .....	9
Over-the-Air Transmission (Single-Device) .....	9
Running the LabVIEW Host Code (Single-Device) .....	9
Initializing the System (Single-Device) .....	9
Verifying the System (Single-Device).....	11
Running Video Streaming (Single-Device) .....	13
Initializing Video Stream Transmitter .....	13
Initializing Video Stream Receiver.....	14
Running External MAC Demo Application (Single-Device) .....	14
Preparing External MAC Executable (Single-Device) .....	14
Host Panel Controls and Indicators (Single-Device) .....	15
Application Settings (Single-Device) .....	15
Basic Runtime Static Settings (Single-Device).....	15
Advanced Runtime Static Settings (Single-Device) .....	16
Runtime Dynamic Settings (Single-Device) .....	16
Graphs and Indicators (Single-Device) .....	18
Running the Sample Project (Double Device).....	19
Configuring the Hardware (Double Device).....	20
Configuring the USRP Devices (Double Device).....	20
Over-the-Air Transmission (Double Device).....	20

Running the LabVIEW Host Code (Double Device) .....	20
Initializing the System (Double Device) .....	21
Verifying the System (Double Device) .....	23
Running Video Streaming (Double Device) .....	28
Running External MAC Demo Application (Double Device) .....	29
Preparing External MAC Executable (Double-Device).....	29
Host Panel Controls and Indicators (Double Device) .....	29
eNodeB Controls and Indicators (Double Device).....	30
Host Panel UE (Double Device) .....	34
Known Issues .....	38
Related Information .....	38
Abbreviations .....	39

## System Requirements

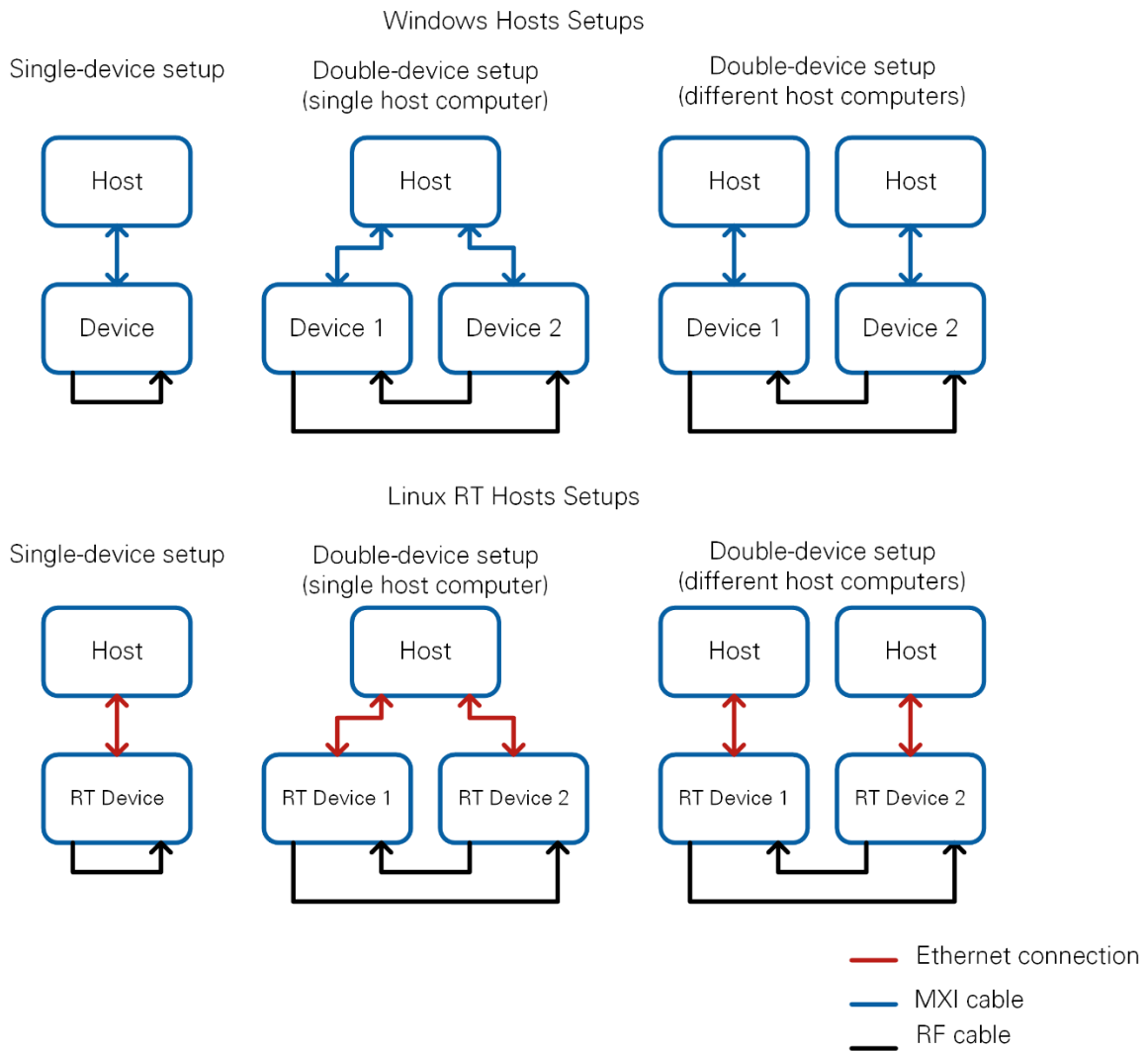
Refer to the product readme, which is installed and available online at [ni.com/manuals](http://ni.com/manuals), for more information about minimum system requirements, recommended system, and supported application development environments (ADEs).

## Hardware Requirements

To use the LTE Application Framework for a bidirectional data transmission, you need two of the following RF capable devices:

- USRP-2940/2942/2943/2944/2950/2952/2953/2954 Software Defined Radio Reconfigurable Device
- USRP-2974 Software Defined Radio Stand-Alone Device

A special test mode using the loopback functionality provided by the framework can be executed with only one device.



*Figure 1 Hardware Configuration Options*

The framework can run either on Windows hosts (without real time) or on Linux RT (with real time support). The RT controller must be installed on the controller attached to the RF hardware unless it comes preinstalled on the hardware. In both cases, you must use a PC to run the LabVIEW Communications executable. The PC needs an Ethernet connection to the RT system.

*Table 1 Required Hardware*

Configuration	All Setups			USRP RIO			
	SMA Cable	Antenna	USRP-2974	Controller	USRP	Attenuator	MXI adapter
<b>Single device, cabled</b>	1	-	1	1	1	1	1
<b>Single device, over-the-air</b>	-	2	1	1	1	-	1
<b>Double device, cabled</b>	2	-	2	1	2	2	2

Configuration	All Setups		USRP-2974	USRP RIO			
	SMA Cable	Antenna		Controller	USRP	Attenuator	MXI adapter
Single device, cabled	1	-	1	1	1	1	1
Single device, over-the-air	-	2	1	1	1	-	1
Double device, over-the-air	-	4	2	1	2	-	2

- PXIe-1085 Chassis (recommended) or other chassis  
**Note:** A second chassis is needed when using different host computers.
- PXIe-8135 Controller or other controller  
**Note:** A second controller is needed when using different host computers.
- SMA (f)-to-SMA (f) cable, included with USRP devices

**Note:** For information about using an antenna, refer to the “Over-the-Air Transmission (Single-Device)” or “Over-the-Air Transmission (Double Device)” section.

- Attenuator with 30 dB attenuation and SMA (m)-to-SMA (f) connectors, included with USRP devices
- Hardware: USRP-2940/2942/2943/2944/2950/2952/2953/2954/2974

The preceding recommendations assume a PXI-based host system. Alternatively, you can use a PC with PCI-based or PCI Express-based MXI adapter or a laptop with an Express card-based MXI adapter.

Ensure your host meets the following specifications:

- 20 GB free disk space
- 8 GB RAM (16 GB RAM required to compile bitfiles for the device FPGA)
- Quad-Core CPU
- 2.3 GHz processor base frequency (minimum)

**Notice:** Before using your hardware, read all product documentation to ensure compliance with safety, EMC, and environmental regulations.

## Components of the Sample Project

To create a new instance of the 802.11 Application Framework, launch LabVIEW Communications System Design Suite by selecting **NI LabVIEW NXG 4.0** from the **Start** menu. From the Project Templates on the launched **Project** tab, select **Application Frameworks**. To launch the project, select: **LTE Design USRP RIO v19.5**.

The project is comprised of LabVIEW host code and LabVIEW FPGA code for the supported HW targets. The related folder structure, operation modes, and components of the project are described in the following subsections.

## Sample Project Folder Structure

Once you create a new instance, the following files and folders are created inside the specified folder:

- **DL Host.gcomp**
  - The downlink (DL) only top-level host VI, implementing a downlink transmitter and a downlink receiver.
  - The host interfaces with the bitfile build from the top-level FPGA VI.
- **eNodeB Host.gcomp**
  - The eNodeB (base station) top-level host VI, implementing a downlink transmitter and an uplink receiver.
  - The host interfaces with the bitfile build from the top-level FPGA VI.
- **UE Host.gcomp**
  - The user equipment (UE) top-level host VI, implementing a downlink receiver and an uplink transmitter.
  - The host interfaces with the bitfile build from the top-level FPGA VI.
- **Builds**
  - This folder containing the precompiled bitfiles for the three operation modes (DL, eNodeB, UE).
- **Common**
  - The common folder contains generic subVIs for host and FPGA that are used in but not limited to the LTE Application Framework, such as mathematical functions, type conversions, and so on.
- **USRP RIO**
  - Contains target-specific implementations of host and FPGA subVIs, which handle setting gain and frequency. These subVIs are in most cases adapted from the target-specific streaming sample project.
  - Also contains the target specific top-level FPGA VI for the three operation modes (DL, eNodeB, and UE).
- **LTE**
  - This folder contains host and FPGA subVIs, which were specifically designed for the LTE Application Framework. The code is grouped into different folders that represent the part of the system where they are used, such as FPGA DL RX, FPGA DL TX, and so on.

## Sample Project Operation Modes

The LTE Application Framework offers three operation modes, including host code and associated FPGA code, that are shown in Figure 2.

- **DL:**
  - Establishes a downlink link in either a single-device setup or a double-device setup.
  - Implements the DL transmitter (TX) of a base station and the DL receiver (RX) of a UE.
  - Top-level host VI: Host DL.gvi
  - Top-level LRE FPGA Top.gvi
- **eNodeB:**

- Provides the base station side in a double-device setup.
- Implements the DL TX and the UL RX of an eNodeB.
- Top-level host VI: Host eNodeB.gvi
- Top-level FPGA VI: LRE FPGA Top.gvi
- **UE:**
  - Provides the UE side in a double-device setup
  - Implements the DL RX and the UL TX of a UE
  - Top-level host VI: Host UE.gvi
  - Top-level FPGA VI: LRE FPGA Top.gvi

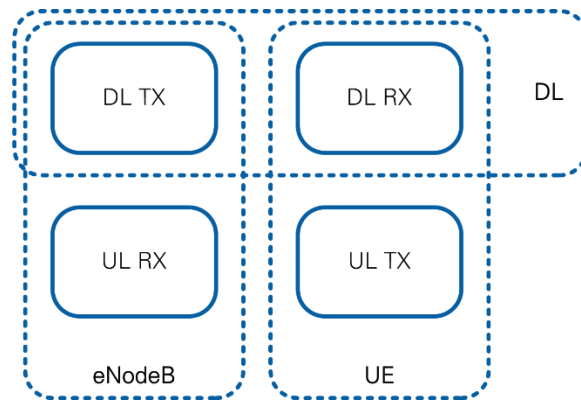


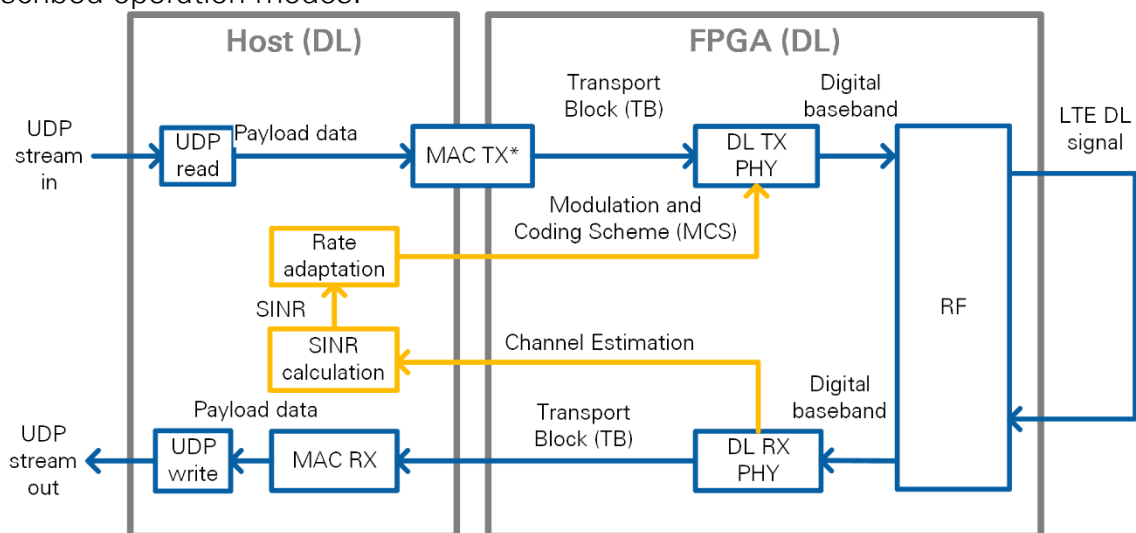
Figure 2 System Configurations (Host and Associated FPGA Code)

The DL operation mode can be used either in a single-device setup or in a double-device setup. The eNodeB/UE operation modes require a double-device setup.

All operation modes can be run either on Windows hosts or Linux RT targets.

## Sample Project Components

Figure 3 and Figure 4 show the block diagram of the system in the previously described operation modes.



\*) MAC TX is placed either on Host (Linux RT) or on FPGA (Windows host)

Figure 3 Block Diagram of the System in DL Operation Mode (Single-Device Setup)

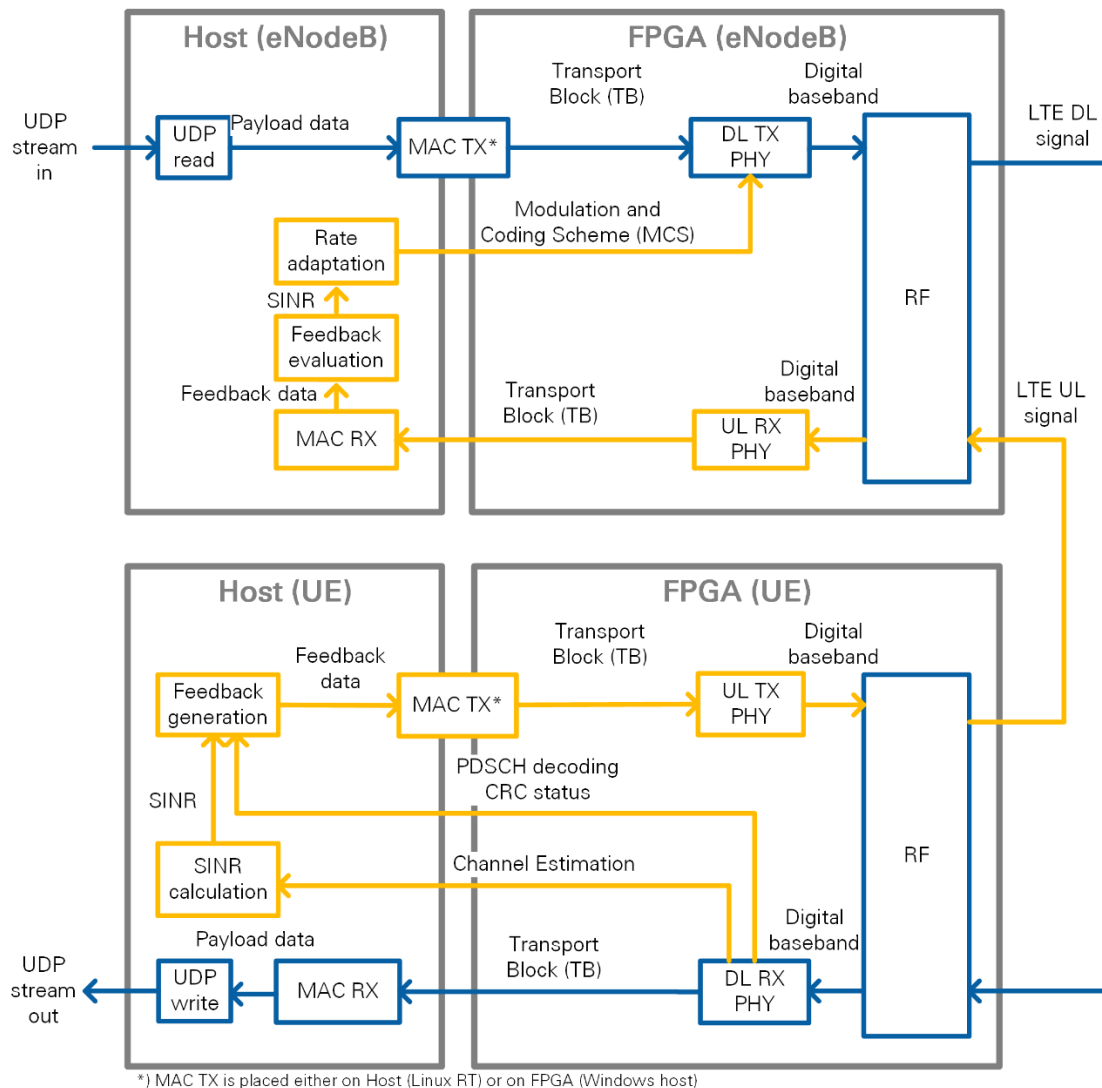


Figure 4 Block Diagram of the System in eNodeB/UE Operation Mode (Double-Device Setup)

The components shown in the figures above perform the following tasks:

- **UDP read:** Reads data, provided by an external application, from a user datagram protocol (UDP) socket. The data is used as payload data in the transport block (TB). This data is then encoded and modulated as an LTE DL signal by the DL TX.
- **UDP write:** Writes the payload data, which was received and decoded from the LTE DL signal by the DL RX, to an UDP socket. The data can then be read by an external application.
- **MAC TX:** A simple medium access control layer (MAC) implementation that adds a header to the TB containing the number of payload bytes. The header is followed by the payload bytes and the remaining bits of the TB are filled with padding bits.
- **MAC RX:** Disassembles the TB and extracts the payload bytes.
- **DL TX PHY:** Physical layer (PHY) of the DL TX. Encodes the physical channels and creates the LTE DL signal as digital baseband in-phase/quadrature (I/Q) data. This code includes encoding of the physical DL control channel



- (PDCCH), encoding of the physical DL shared channel (PDSCH), resource mapping, and orthogonal frequency division multiplexing (OFDM) modulation.
- **DL RX PHY:** PHY of the DL RX. Demodulates the LTE DL signal and decodes the physical channels. This code includes primary synchronization sequence (PSS)-based synchronization, OFDM demodulation, resource demapping, channel estimation and equalization, decoding of the PDCCH, and decoding of the PDSCH.
  - **UL TX PHY:** PHY of the uplink UL TX. Encodes the physical channels and creates the LTE uplink signal as digital baseband I/Q data. This code includes encoding of the physical UL shared channel (PUSCH), resource mapping, and OFDM modulation.
  - **DL RX PHY:** PHY of the UL RX. Demodulates the LTE DL signal and decodes the physical channels. This code includes OFDM demodulation, resource demapping, channel estimation and equalization, and decoding of the PUSCH.
  - **SINR calculation:** Calculation of the signal-to-interference noise ratio (SINR) based on the channel estimation that was used for PDSCH decoding. Channel estimation is either based on cell-specific reference signals (CRS) or on UE-specific reference signals (UERS).
  - **Rate adaptation:** Sets the modulation and coding scheme (MCS) depending on the measured/reported SINR. The aim is to ensure to keep the block error rate (BLER) of the PDSCH decoding low.
  - **Feedback generation:** Creates a feedback message that contains the measured subband and wideband SINR as well as the acknowledgement (ACK)/negative acknowledgement (NACK) information (that is, the cyclic redundancy check (CRC) result of the PDSCH decoding) of the previously received radio frame.
  - **Feedback evaluation:** Extracts the subband and wideband SINR as well as the ACK/NACK information from the feedback message.

## Sample Project Statement of Compliance and Deviations

The LTE Application Framework implements parts of the 3<sup>rd</sup> Generation Partnership Projects (3GPP)-Long Term Evolution (LTE) release 10 DL and UL PHY TX and RX. To reduce the complexity of this application framework, the following settings are fixed and can only be changed by modifying the design:

- 20 MHz bandwidth
- For time division duplex (TDD) operation: UL/DL configuration 5, special subframe configuration 5
- Normal cyclic prefix
- Resource mapping for two TX antennas (only first antenna used)
- Downlink:
  - Primary synchronization signals (PSS) once per radio frame (10 ms periodicity instead of 5 ms periodicity)
  - Proprietary downlink control information (DCI) message format and length, PDCCH format 1 (CFI = 1)
  - No secondary synchronization signals (SSS), physical broadcast channel (PBCH), physical control format indicator channel (PCFICH), or physical hybrid automatic repeat request (ARQ) indicator channel (PHICH)
- Uplink:

- OFDM access (OFDMA) is used as wideband modulation (instead of single-carrier frequency division multiplexing access (SC-FDMA))
- No physical random access channel (PRACH)
- No physical uplink control channel (PUCCH)

Visit [ni.com/r/LTEAppFWManual](http://ni.com/r/LTEAppFWManual) for more details.

## Running the Sample Project Single -Device)

This section describes how to run the LTE Application Framework using a RF loopback configuration with a single USRP or FlexRIO device. This corresponds to the single device use case shown in Figure 1.

## Configuring the Hardware (Single-Device)

Complete the appropriate steps for your hardware configuration.

### Configuring the USRP Device (Single-Device)

1. Ensure the USRP device is properly connected to the host system running LabVIEW.
2. Create the RF loopback configuration using one RF cable and attenuator:
  1. Connect the cable to RF0/TX1.
  2. Connect the 30 dB attenuator to the other end of the cable.
  3. Connect the attenuator to RF1/RX2.
3. Power on the USRP device.
4. Power on the host system.

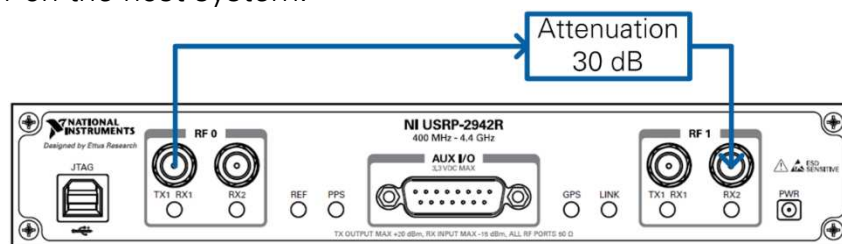


Figure 5 USRP Hardware Configuration

### Over-the-Air Transmission (Single-Device)

The configuration for over the air transmission is like that of the cabled setup. Cables and attenuators are replaced by antennas suitable for the selected channel center frequency and system bandwidth.


**Notice:** Before using your hardware, read all product documentation to ensure compliance with safety, EMC, and environmental regulations.

## Running the LabVIEW Host Code (Single-Device)

The single-device hardware configuration uses the downlink-only host variant of the LTE Application Framework (DL Host.gvi), which implements a downlink transmitter and a downlink receiver.

### Initializing the System (Single-Device)

Ensure the LabVIEW Communications System Design Suite and the LTE Application Framework are installed on your system. Installation is started by running `setup.exe` from the provided installation media. Follow the installer prompts to complete the installation process.

1. Launch LabVIEW Communications System Design Suite, by selecting **NI LabVIEW NXG 4.0** from the Start menu.
2. From the Project Templates on the **Launch a Project** tab, select **Application Frameworks»LTE Design USRP RIO v19.5** to launch the project.
3. (USRP-2974 only) Ensure you are mapped to the RT target.
  - a. Open SystemDesigner in Design view.
  - b. Select the USRP device.
  - c. On the Configuration pane, check that **Hostname** names the correct USRP device and Status is **Matched**.
  - d. If **Status** is **Not matched**, select the ... button.
  - e. Select your device from the **Use a different controller** dropdown menu, or select **Add Hardware»Add hardware by address** to add your device using the IP address of your device. You are now mapped to the correct device.
4. Within that project, open the LabVIEW top-level host VI in the downlink-only variant, **DL Host.gvi in DL Host.gcomp**. The panel of this VI is shown in Figure 7.
5. (Skip this step when using the USRP-2974.) Set the **RIO Device** to the alias of the device connected to your system. You can use NI Measurement & Automation Explorer (MAX) to get the RIO alias for your device.
6. Click the **Run** button, , on the LabVIEW host VI. If successful, the **FPGA Ready** indicator lights. If you receive an error, check if your device is connected properly.
7. Set **eNB TX Frequency [Hz]** to a frequency supported by your device, as shown in Table 2.
8. Set **UE RX Frequency [Hz]** to the same value as in step 7.
9. Enable the eNB Transmitter, which implements a DL TX, by setting the switch control to **On**. If successful, the **eNB TX Active** indicator lights.
10. Enable the UE Receiver, implementing a DL RX, by setting the **Switch** control to On. If successful, the **UE RX Active** indicator lights.

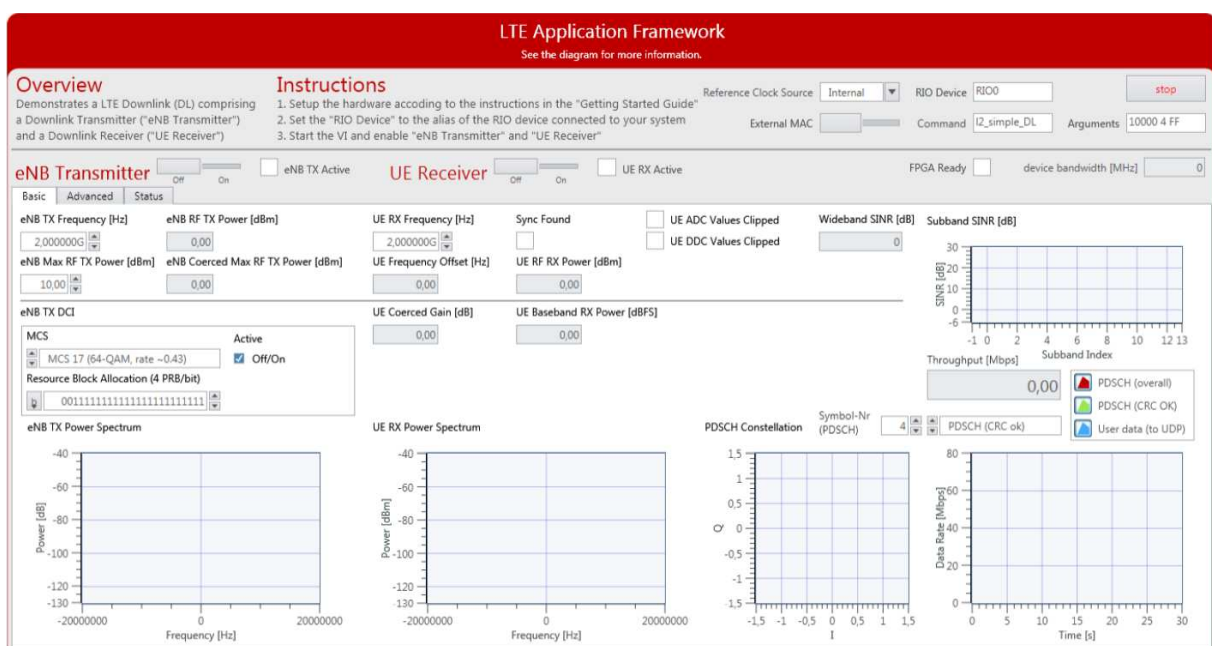


Figure 6 Front Panel of LTE Host DL.gvi (Downlink-Only Host Variant)

Table 2 Supported Frequency Ranges of USRP and FlexRIO Devices

Device	Supported Frequency Range
USRP-2940/2950	50 MHz to 2.2 GHz
USRP-2942/2952	400 MHz to 4.4 GHz
USRP-2943/2953	1.2 GHz to 6 GHz
USRP-2944/2954/2974	10 MHz to 6 GHz

### Verifying the System (Single-Device)

If the system is running as expected, the downlink signal generated by the transmitter is correctly received and decoded by the receiver. In this case, the host panel should appear as shown in Figure 8 and Figure 9.

#### Basic Tab

- **TX Power spectrum**—Spectrum matches the resource block allocation configured by the control **Resource Block Allocation (4 PRB/bit)**
- **RX Power spectrum**—Spectrum matches the TX power spectrum
- **Sync Found**—Constantly on, indicating sync success  
**Note:** Sync success is a prerequisite for correct PDCCH (and PDSCH) reception and decoding.
- **PDSCH Constellation**—Clean and stable quadrature phase shift keying (QPSK) or quadrature amplitude modulation (QAM) constellation. The modulation depends on the MCS that are configured by the **MCS** control on the eNB TX side. This graph indicates whether the PDSCH subcarriers were received correctly.
- **Throughput**—Constant green curve; constant value for **PDSCH (CRC ok)**
  - No red portions in the curve
  - Value **PDSCH (CRC ok)** equals value **PDSCH (overall)**
  - Indicates correct PDSCH channel decoding without cyclic redundancy check (CRC) errors
- (USRP-2974 only) **SFN**—Number running between 0 and 1023
- (USRP-2974 only) **TTI**—Number running between 0 and 9
- (USRP-2974 only) **Received Confirmations**—Success counts up. Other counters stay 0.

#### Advanced Tab

- **PDCCH Constellation**—Clean and stable QPSK constellation (allocated PDCCH subcarriers) with an additional dot in the origin (unallocated PDCCH subcarriers). The graph indicates correct reception of the PDCCH subcarriers.
- **PDCCH Received DCI Message**—**Valid** flag is constantly on
  - **MCS** and **Resource Block Allocation (4 PRB/bit)** match the equally named controls on the **eNB Transmitter** side. This indicator shows whether PDCCH subcarrier data was received correctly.

**Note:** Correct PDCCH reception and decoding is a prerequisite for PDSCH reception and decoding.

- **UE Failure / Block Error Rate (BLER)**
  - **Sync** is constantly zero.
  - **PDCCH** is constantly zero.
  - **PDSCH** is constantly zero.

**Note:** Sync success is a prerequisite for correct PDCCH (and PDSCH) reception and decoding. Correct PDCCH reception and decoding is a prerequisite for PDSCH reception and decoding. Correct PDSCH reception and decoding is a prerequisite for error-free data exchange.

- **Channel Estimation**

- Normalized Amplitude

- Cabled setup: flat curve around 0 as shown in Figure 9
    - Over-the-air setup: any curve (highs and lows indicate a frequency-selective channel caused by multipath fading)
    - Phase, cabled setup: saw tooth curve (straight line, wrapping two times) as shown in Figure 9 (indicating that FFT cuts slightly into the cyclic prefix)

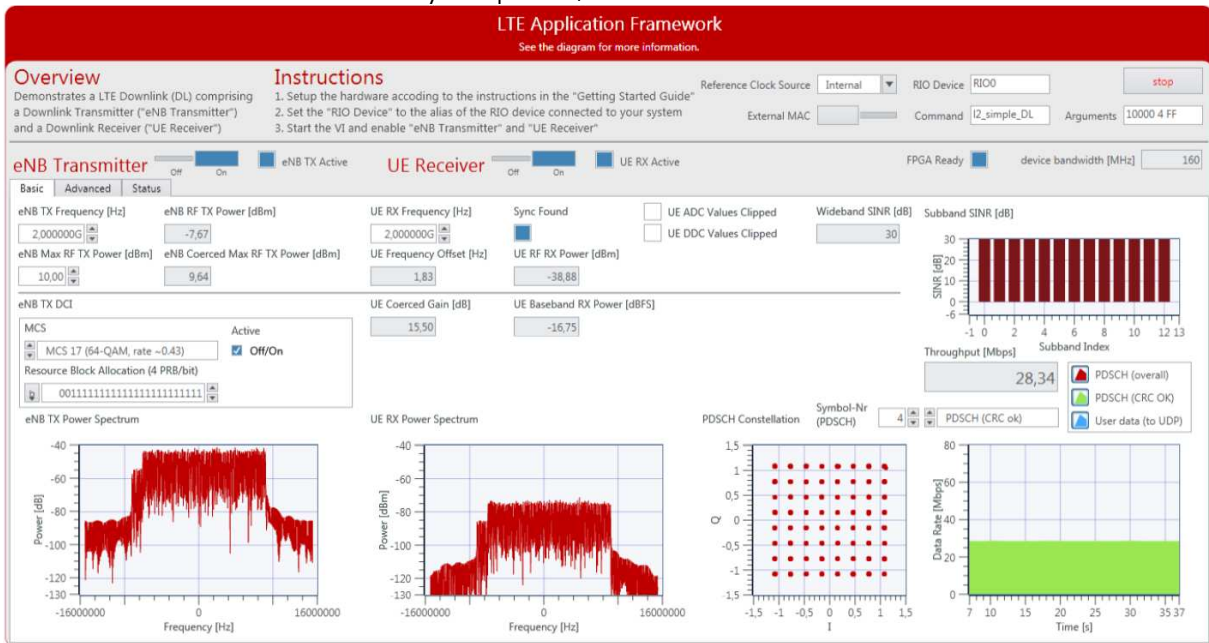


Figure 7 Front Panel of LTE Host DL.gvi / Basic Tab When Running Successfully

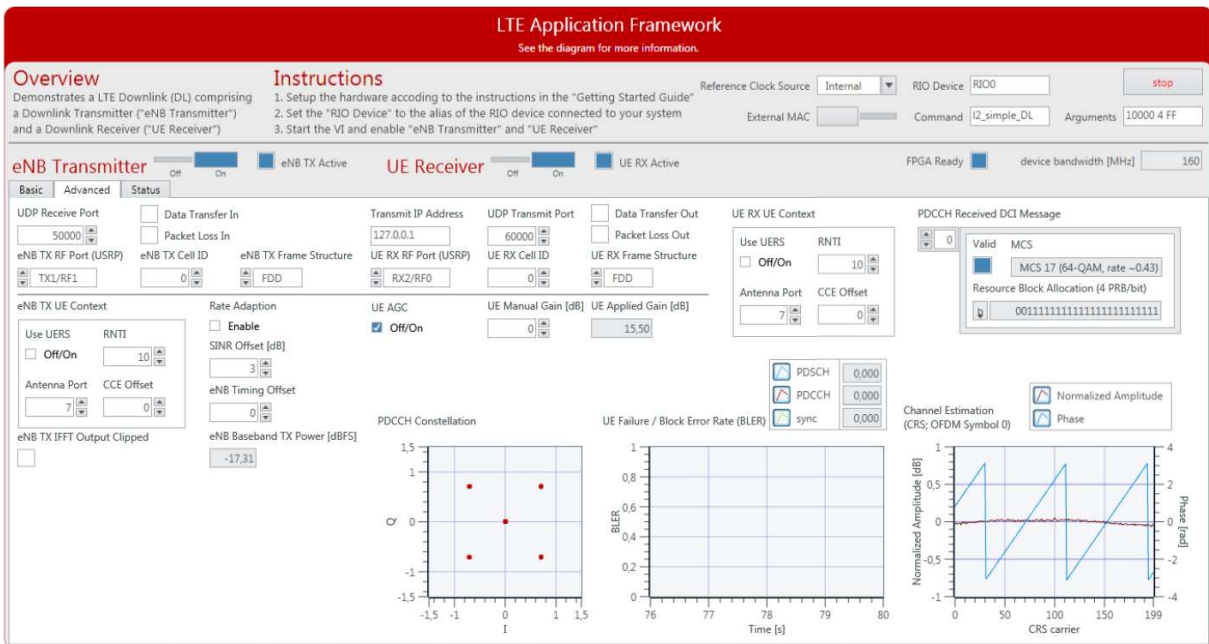


Figure 8 Front Panel of LTE Host DL.gvi / Advanced Tab When Running Successfully

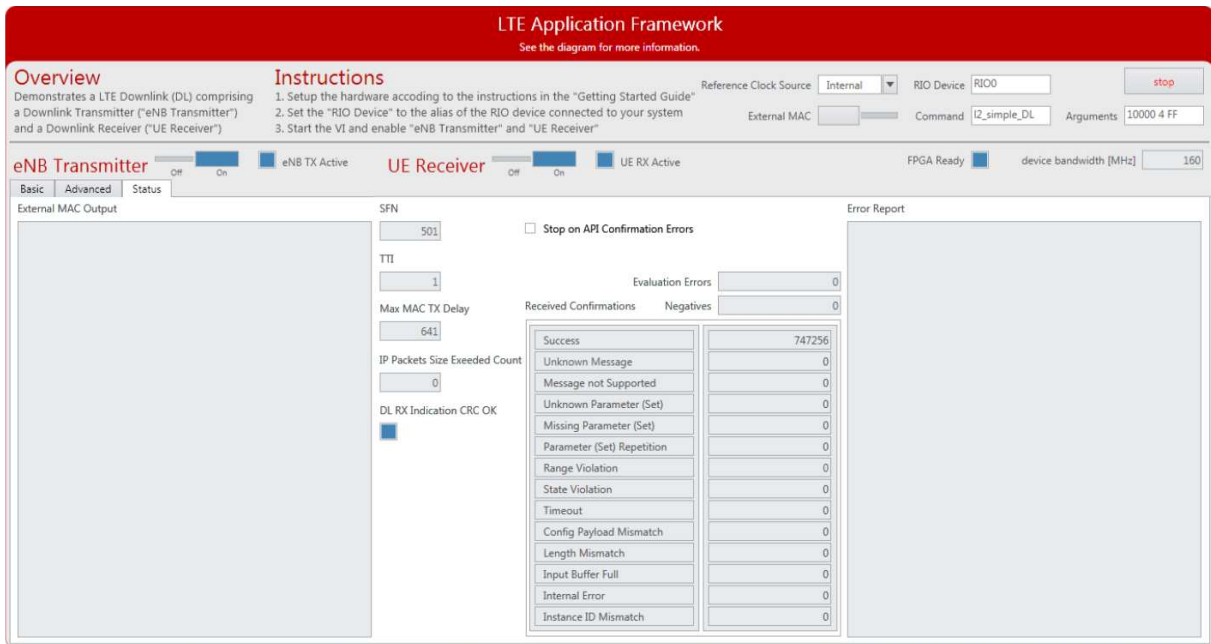


Figure 9 Front Panel of LTE Host DL.gvi / Status Tab When Running Successfully

## Running Video Streaming (Single-Device)

The previous section described how to use the downlink host variant of the LTE Application Framework (LTE Host DL.gvi) to establish an LTE downlink link between the transmitter and the receiver. A basic MAC implementation allows for packet-based data exchange of user-defined payload data. The payload data can be provided to the host using UDP as shown in Figure 11. You can use any program capable of transmitting UDP data as data source. Similarly, you can use any program capable of receiving UDP data as data sink.

The LTE Application Framework allows you to transmit video streams if you use a video streaming application as data source and a video player as data sink. For example, you can use the VLC media player, which is available at [www.videolan.org](http://www.videolan.org).

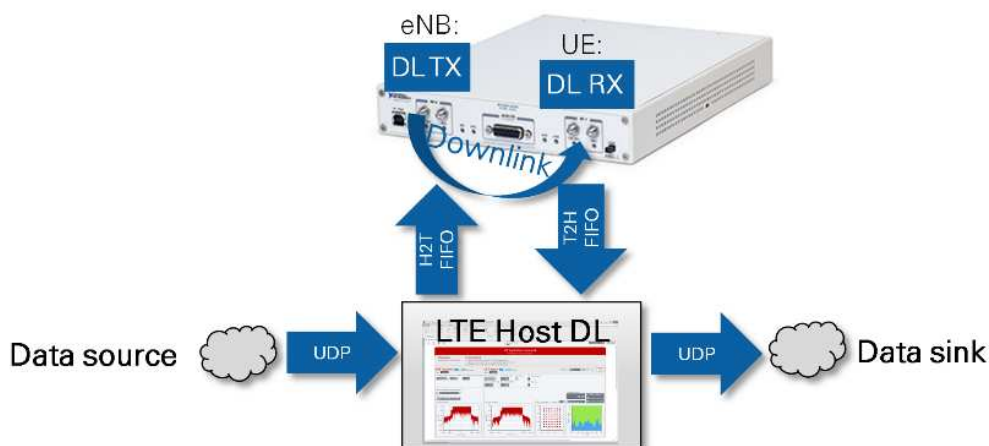


Figure 10 Data Streaming to/from the System Using UDP (Downlink-Only Operation Mode)

### Initializing Video Stream Transmitter

1. Start `cmd.exe` and change the directory to the VLC installation directory.
2. Start the VLC application as a streaming client with the following command:  
`vlc.exe --repeat "<PATH_TO_VIDEO_FILE>"`

```
:sout=#std{access=udp{ttl=1},mux=ts,dst=IP:50000}, where  
<PATH_TO_VIDEO_FILE> is replaced with the location of the video to be  
used. IP should be replaced with the IP address of the system that runs the  
host code. When running on Linux RT make sure to use the IP address of  
the Linux RT device.
```

Port 50.000 is the default UDP Receive Port. For ease of use, you can also save this command line to a batch file, for example, `Stream Video LTE.bat`.

### Initializing Video Stream Receiver

1. Change **Transmit IP Address** on the **Advanced** tab to the IP of the PC that you start the VLC application on.
2. Start `cmd.exe` and change the directory to the VLC installation directory.
3. Start the VLC application as a streaming client with the following command:  

```
vlc.exe udp://@:60000.
```

Port 60.000 is the default UDP Transmit Port. For ease of use, you can also save this command line to a batch file, for example, `Play Video LTE.bat`.

## Running External MAC Demo Application (Single-Device)

The basic MAC implementation of the LTE Application Framework can also be replaced by a full featured external implementation. For this purpose, the LTE Application Framework offers an API to interact with an external MAC. Attaching an external MAC requires a Linux RT setup such as the USRP-2974.

### Preparing External MAC Executable (Single-Device)

1. Get ssh access to the Linux RT system, for example using Putty. Visit [ni.com/info](http://ni.com/info) and enter the Info Code [exmmx6](#) for additional details, including the default user name and password.
2. Transfer example application to the Linux RT system:  

```
pscp -r \MAC root@RT_LINUX_IP:
```

replace `PATH_TO_AFW_PROJECT` with the path to the LTE Application Framework project and `RT_LINUX_IP` with the IP of the Linux RT Setup.
3. Log into the Linux RT system through ssh as root and run the following commands:  

```
opkg update  
opkg install g++ libstdc++-staticdev  
cd ~/MAC  
make install
```
4. Prepare LTE Host DL.gvi as described the "Initializing the System (Single-Device)" section. In addition, enable the **External MAC switch** control.

When everything is configured correctly, the system will behave as described in the "Verifying the System (Single-Device)" section. Because the sample application only sends packets for a fixed amount of time, LTE Host DL.gvi will stop execution after 10 seconds and report that the connection to the external MAC is broken. Observe that the number of PHY TX indications and PHY TX requests is exactly the number of packets given in the command line arguments. The number of PHY CNF received is the sum of the PHY TX requests. Because the external MAC might hit exit conditions before the last two PHY CNF are received, there are 30-50 fewer PHY DL RX indications received than the number of PHY TX requests. This is because the synchronization in DL RX needs a few radio frames to settle and there is still data in the loop between DL TX and DL RX when the external MAC hits the exit condition.

## Host Panel Controls and Indicators (Single-Device)

This section gives information about how to use the controls and how to interpret the graphs and indicators that are available on the host panel.

### Application Settings (Single-Device)

Set these parameters prior to running the GVI. Changes are only applied after stopping and restarting the GVI.

Table 3 Application Settings (Single-Device)

Parameter	Details
<b>RIO Device</b>	The RIO address of the RF hardware device.
<b>Reference Clock Source</b>	Configures the Reference Clock source used for the transceiver chain <ul style="list-style-type: none"> <li>• <b>Internal:</b> Device internal clock</li> <li>• <b>REF IN / CkIn:</b> Clock input at the RF device (rear connector pane for USRP devices, front connector pane for the NI-5791)</li> <li>• <b>GPS:</b> GPS module (USRP-2950/2952/2953/2954/2974)</li> </ul>
<b>External MAC</b>	When enabled a program is executed on the RT described by command line and arguments. This switch applies for RT only. When disabled an internal basic MAC will be executed.
<b>Command</b>	Command to execute for external MAC.
<b>Arguments</b>	Arguments to pass to the external MAC.

### Basic Runtime Static Settings (Single-Device)

These settings, located on the **Basic** tab, can be changed without restarting the GVI. Value changes are applied when the corresponding transmitter or receiver chain is restarted using the associated Boolean control, that is, **eNB Transmitter** as shown in Figure 12.

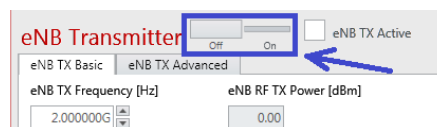


Figure 11 Boolean Control to Enable the eNB Transmitter

Table 4 Basic Runtime S

Parameter	Details
<b>eNB Transmitter</b>	Enables or disables the transmitter using the current configuration.
<b>eNB TX Frequency [Hz]</b>	DL TX center frequency, allowed range depends on used RF device.
<b>eNB Maximum RF TX Power [dBm]</b>	Maximum RF transmit power (upper bound - achievable for a full scale complex sine wave (CW) signal) <b>Note:</b> The actual time-domain RF transmit power depends on the configured resource allocation and is typically at least 15 dB lower to allow for the OFDM peak-to-average power ratio (PAPR) backoff.
<b>UE Receiver</b>	Enables or disables the receiver using the current configuration.



Parameter	Details
<b>UE RX Frequency [Hz]</b>	DL RX center frequency, allowed range depends on used RF device.

### Advanced Runtime Static Settings (Single-Device)

These settings, located on the advanced tab, can be changed without restarting the GVI. Value changes are applied when the corresponding transmitter or receiver chain is restarted using the associated Boolean control, for example, **eNB Transmitter** as shown in Figure 12.

*Table 5 Advanced Runtime Static Settings (Single-Device)*

Parameter	Details
<b>UDP Receive Port</b>	The UDP port the host monitors for incoming packets to be transferred to the FPGA PDSCH chain.
<b>eNB TX RF Port (USRP)</b>	Selects the HW RF port the DL TX is transmitted on (USRP device only).
<b>eNB TX Frame Structure</b>	Select between frequency division duplex (FDD) and TDD using subframe configuration 5 and special subframe configuration 5 (3GPP TS 36.211 §4).
<b>eNB TX Cell ID</b>	Physical cell ID used for PSS, CRS, UERS sequence generation and PDCCH/PDSCH scrambling. [0...511]
<b>Transmit IP Address</b>	The IP address the UDP packets received from PDSCH shall be sent to.
<b>UDP Transmit Port</b>	The UDP port the UDP packets received from PDSCH shall be sent to.
<b>UE RX RF Port (USRP)</b>	Selects the HW RF port the DL RX will be received from (USRP device only).
<b>UE RX Frame Structure</b>	Select between FDD (frequency division duplex) and TDD (time division duplex) using subframe configuration 5 and special subframe configuration 5 (3GPP TS 36.211 §4).
<b>UE RX Cell ID</b>	Physical cell ID used for PSS, CRS, UERS sequence generation and PDCCH/PDSCH scrambling. [0...511]

### Runtime Dynamic Settings (Single-Device)

These settings can be changed while the corresponding transmitter or receiver chain is running. Value changes are applied immediately.

*Table 6 Runtime Dynamic Settings (Single-Device)*

Parameter	Details
<b>eNB TX DCI</b>	Downlink control information for the PDCCH content and the PDSCH transmission.
<b>Active</b>	Enables or disables the transmission of PDCCH and PDSCH.
<b>Resource Block Allocation</b>	Resource allocation given as bitmap with each bit representing four physical resource blocks (DL resource allocation type 0, 3GPP TS 36.213 §7.1.6.1). The left-most bit represents lowest resource block index.
<b>MCS</b>	MCS used for PDSCH transmission according to 3GPP TS 36.213 §7.1.7.
<b>eNB TX UE Context</b>	UE specific parameters for DL transmission.

Parameter	Details
<b>Use UERS</b>	If enabled, the DL transmitter feeds UE-specific reference signals into the PDSCH data stream. The usage of UERS is closely related to Transmission Mode 9 defined in the LTE standard 3GPP TS 36.213 §7.1.
<b>Antenna Port</b>	The antenna port used for generating UERS, Range: 7...14 according to 3GPP TS 36.213 §7.1.
<b>RNTI</b>	The radio network temporary identifier used for PDSCH scrambling and PDCCH CRC mask generation.
<b>CCE Offset</b>	First control channel element to be used for PDCCH transmission. According to 3GPP TS 36.211 §6.8.1/.2.
<b>eNB Timing Offset</b>	Changes the eNodeB timing (start of radio frame). Given in 30.72 MS/s.
<b>Rate Adaptation</b>	If enabled, <b>eNB TX MCS</b> is automatically adapted to reported/measured <b>Wideband SINR [dB]</b> to handle with channel quality fluctuations. The adaptation is calibrated so that the applied MCS produces approximately 5% to 10% BLER under current MCS conditions. If that is not desired, modify <b>SINR Offset [dB]</b> .
<b>SINR Offset [dB]</b>	This value is effectively subtracted from the reported SINR before looking up the MCS in the adaptation table (that is, if a positive offset is configured, a higher reported SINR is required to adapt to a certain MCS to avoid block errors).
<b>UE RX UE Context</b>	UE specific parameters for DL reception.
<b>Use UERS</b>	If enabled the DL receiver will use UE specific reference signals for equalizing PDSCH assigned I/Q samples. The usage of UERS is closely related to Transmission Mode 9 defined in the LTE standard 3GPP TS 36.213 §7.1.
<b>Antenna Port</b>	The antenna port used for generating UERS for channel estimation, Range: 7...14 according to 3GPP TS 36.213 §7.1.
<b>RNTI</b>	The radio network temporary identifier used for PDSCH scrambling and PDCCH CRC mask check.
<b>CCE Offset</b>	First control channel element to be used for PDCCH reception. According to 3GPP TS 36.211 §6.8.1/.2.
<b>Symbol-Nr (PDSCH)</b>	The OFDM symbol number (counting from 0 with symbol 0 being occupied by the PDCCH) used for displaying constellation data for PDSCH I/Q samples.
<b>Throughput [Mbps] select</b>	Selects the used values for throughput calculation: <ul style="list-style-type: none"> <li>• <b>PDSCH (overall)</b>: The total throughput scheduled by the eNodeB TX regardless of CRC result.</li> <li>• <b>PDSCH (CRC ok)</b>: The actual achieved physical layer throughput, which could be decoded successfully.</li> <li>• <b>User data (to UDP)</b>: The higher layer throughput (from/to UDP stream) after removing the padding.</li> </ul>
<b>UE AGC</b>	Enables or disables the automated gain control on the receiver side. If enabled the analog RX gain of the RF device will be automatically configured within its valid

Parameter	Details
	range to meet a target range for the baseband input signal power.
<b>UE Manual Gain Value [dB]</b>	Controls the analog RX gain in case <b>UE AGC</b> is switched off.

### Graphs and Indicators (Single-Device)

The indicators on the front panel represent the state of the target device and show information about ongoing transfers.

*Table 7 Graphs and Indicators (Single-Device)*

Parameter	Details
<b>FPGA ready</b>	Indicates that the FPGA bitfile has been downloaded and that the device has been initialized and is ready for configuration. Initialization can take up to 20 seconds.
<b>eNB TX Active</b>	Indicates that all eNB TX control configurations have been applied and the transmitter is running.
<b>eNB RF TX Power [dBm]</b>	Actual eNB RF transmit power in dBm.
<b>eNB Coerced Max RF TX Power [dBm]</b>	Indicates the coerced value actually used as maximum RF transmit output power after applying the device capabilities (range and resolution limitations) to the configured <b>eNB Maximum RF TX Power [dBm]</b> .
<b>eNB TX Power Spectrum</b>	Shows the power spectrum of the DL TX baseband signal transferred to the RF.
<b>Data Transfer In</b>	Indicates that the configured UDP stream is receiving data on the configured <b>Receive Port</b> .
<b>Packet Loss In</b>	Indicates that the system loses UDP data because of overload, which can occur when data inflow from UDP port is higher than configured PDSCH throughput.
<b>eNB TX IFFT Output Clipped</b>	Indicates a numeric overflow after the inverse FFT (IFFT).
<b>eNB Baseband TX Power [dBFS]</b>	Actual eNB baseband transmit power level [baseband output power level] in dB full scale.
<b>UE RX Active</b>	Signals that all UE RX control configurations have been applied and the receiver is running.
<b>Sync Found</b>	Indicates that the synchronization module has successfully detected and synchronized to a DL RX signal.
<b>UE Frequency Offset [Hz]</b>	The estimated and compensated frequency offset detected in the RX signal.
<b>UE RF RX Power [dBm]</b>	The measured time domain input power at the RX RF port.
<b>UE ADC Values Clipped</b>	Indicates a numeric overflow at the ADC output. An overflow can occur when the analog RX RF gain is too high, or the receiver power level is too high.
<b>UE DDC Values Clipped</b>	Indicates a numeric overflow at the output of the digital downconversion block (that is, analog RX RF gain too high or receive power level too high).

Parameter	Details
<b>UE Coerced Gain [dB]</b>	The actual used analog RX RF gain either set by AGC, if enabled, or by <b>UE Manual Gain Value [dB]</b> .
<b>UE Baseband RX Power [dBFS]</b>	The measured baseband input power level in dB full scale.
<b>UE RX Power Spectrum</b>	Shows the power spectrum of the DL RX baseband signal received from RF. If synchronization is successful, frequency offset compensation is applied.
<b>PDSCH Constellation</b>	Constellation of RX I/Q samples allocated for PDSCH transmission after equalization. Only samples for the configured OFDM <b>Symbol-Nr (PDSCH)</b> are displayed.
<b>Wideband SINR [dB]</b>	The estimated SINR over the full 20 MHz band using cell-specific reference signals.
<b>Subband SINR [dB]</b>	The estimated SINR for each subband occupying 8 PRBs. Comparable to Reporting Mode 3-0 in 3GPP TS 36.213 §7.2.1. Usage of CRS or UERS for estimation depends on setting of <b>Use UERS</b> switch in <b>UE RX System Parameters</b> .
<b>Throughput [Mbps]</b>	Numerical and graphical indication of scheduled, successfully decodable and actually used channel capacity. <ul style="list-style-type: none"> <li>• <b>PDSCH (overall)</b>: The total throughput scheduled by the eNodeB TX regardless of CRC result.</li> <li>• <b>PDSCH (CRC ok)</b>: The actual achieved physical layer throughput, which could be decoded successfully.</li> <li>• <b>User data (to UDP)</b>: The higher layer throughput (from/to UDP stream) after removing the padding.</li> </ul>
<b>Data Transfer Out</b>	Indicates that the configured UDP stream is sending data to the configured <b>Transmit IP Address</b> using <b>Transmit Port</b> .
<b>Packet Loss Out</b>	Indicates that the system loses UDP data caused by overload, which can occur when data inflow from the PDSCH is higher than UDP throughput.
<b>PDCCH Constellation</b>	Constellation of RX I/Q samples allocated for PDCCH transmission after equalization.
<b>UE Failure / Block Error Rate (BLER)</b>	Numerical and graphical display of error rates for synchronization detection and PDCCH and PDSCH decoding.
<b>Channel Estimation</b>	Graphical representation of the normalized channel amplitude and phase estimated on the cell specific reference signals.
<b>PDCCH Received DCI Message</b>	Array of decoded and interpreted downlink control information messages received on PDCCH and applied to PDSCH decoding. Each element corresponds to a DL subframe.

## Running the Sample Project (Double Device)

This section describes how to run the LTE Application Framework using an RF loopback configuration with either two USRP devices or two FlexRIO devices. This configuration corresponds to the double-device setups shown in Figure 1. The devices can be either connected to the same host computer or to different host computers.

## Configuring the Hardware (Double Device)

Depending on the available hardware, configure your device using the appropriate instructions.

### Configuring the USRP Devices (Double Device)

1. Ensure both USRP devices are properly connected to the host system running LabVIEW Communications.
2. Create a RF connection as shown in Figure 13:
  - On the device acting as eNodeB, connect the cable to RF0/TX1.
  - Connect the other end of that cable to the 30 dB attenuator.
  - Connect the attenuator to RF1/RX2 on the device acting as UE.
  - On the device acting as UE, connect the cable to RF0/TX1.
  - Connect the other end of that cable to the 30 dB attenuator.
  - Connect the attenuator to RF1/RX2 on the device acting as eNodeB.
3. Power on the USRP devices.
4. Power on the host system(s).

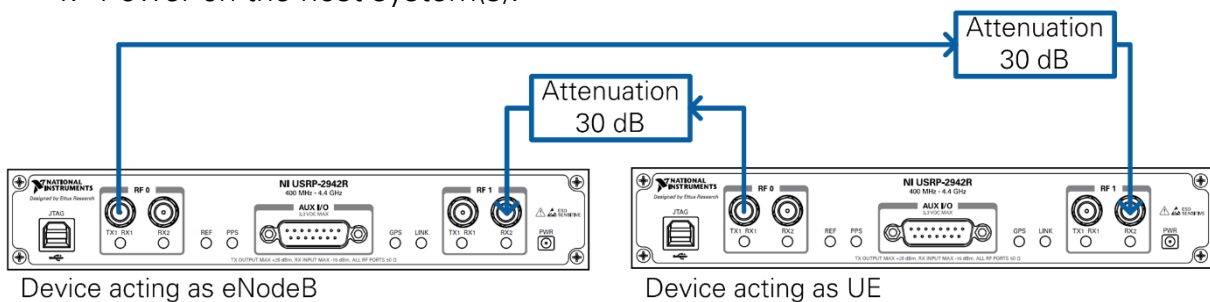


Figure 12 Cabled Connection of Two USRP Devices

### Over-the-Air Transmission (Double Device)

The configuration for over the air transmission is like that of the cabled setup. Cables and attenuators are replaced by antennas suitable for the selected channel center frequency and system bandwidth.

**Notice:** Before using your hardware, read all product documentation to ensure compliance with safety, EMC, and environmental regulations.

## Running the LabVIEW Host Code (Double Device)

Depending on the selected host applications, the following different operation modes are possible:


- One device acts as eNodeB by running `Host eNodeB.gvi` (downlink transmitter and uplink receiver) and the other device acts as UE by running `Host UE.gvi` (downlink receiver and uplink transmitter).
- Alternatively, both devices can act as downlink transmitters and receivers by running the downlink-only host variant (`LTE Host DL.gvi`) on both host computers.

This section describes how to run the system in the eNodeB/UE operation mode. The downlink-only operation mode using a double-device setup is not further

described here because it is similar to the downlink-only operation mode using a single-device setup that is described in the previous chapter.

**Note:** When using a double device setup with the USRP-2974, a single host computer that runs LabVIEW Communications is sufficient. Ensure the RT targets are mapped to the correct device.

### Initializing the System (Double Device)

1. Initialize the system on the eNodeB host computer.
  - a. Launch LabVIEW Communications System Design Suite by selecting **NI LabVIEW NXG 4.0** from the Start menu.
  - b. From the Project Templates on the **Launch a Project** tab, select **Application Frameworks » LTE Design USRP RIO v19.5** to launch the project.
  - c. (USRP-2974 only) Ensure you are mapped to the RT target.
    1. Open SystemDesigner in Design view.
    2. Select the USRP device.
    3. On the Configuration pane, check that **Hostname** names the correct USRP and Status is **Matched**.
    4. If **Status** is **Not matched**, select the ... button.
    5. Select your device from the **Use a different controller** dropdown menu, or select **Add Hardware»Add hardware by address** to add your device using the IP address of your device. You are now mapped to the correct device.
  - d. Within that project, open the LabVIEW top-level host VI for the eNodeB operation mode, **eNodeB Host.gvi** in **eNodeB Host.gcomp**. The front panel of this VI is shown in Figure 15.
  - e. (Skip this step when using the USRP-2974.) Set the **RIO Device** to the alias of the RIO device connected to your system. You can use NI MAX to get the RIO alias for your device.
  - f. Click the **Run** button, , on the LabVIEW host VI. If successful, the **FPGA Ready** indicator lights. If you receive an error, check whether your RIO device is connected properly.

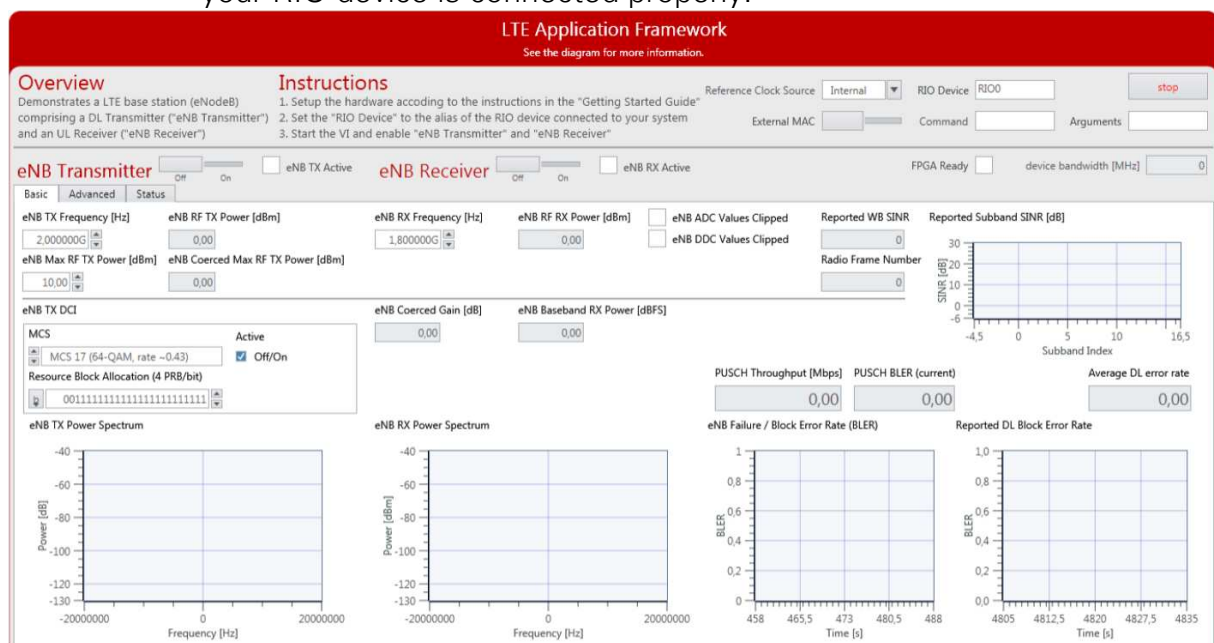



Figure 13 Front Panel of LTE Host eNodeB.gvi

2. Initialize the system on the UE host computer.
  - a. Launch LabVIEW Communications System Design Suite by selecting **NI LabVIEW NXG 4.0** from the Start menu.
  - b. From the Project Templates on the **Launch a Project** tab, select **Application Frameworks » LTE Design USRP RIO v19.5** to launch the project.
  - c. (USRP-2974 only) Ensure you are mapped to the RT target.
    1. Open SystemDesigner in Design view.
    2. Select the USRP device.
    3. On the Configuration pane, check that **Hostname** names the correct USRP device and Status is **Matched**.
    4. If **Status** is **Not matched**, select the ... button.
    5. Select your device from the **Use a different controller** dropdown menu, or select **Add Hardware»Add hardware by address** to add your device using the IP address of your device. You are now mapped to the correct device.
  - d. Within that project, open the LabVIEW top-level host VI for the UE operation mode, `UEHost.gvi`.
  - e. The front panel of this VI is shown in Figure 16.
  - f. Set the **RIO Device** to the alias of the RIO device connected to your system. You can use NI MAX to get the RIO alias for your device.
  - g. Click the **Run** button, , on the LabVIEW host VI. If successful, the **FPGA Ready** indicator lights. If you receive an error, check if your RIO device is connected properly.

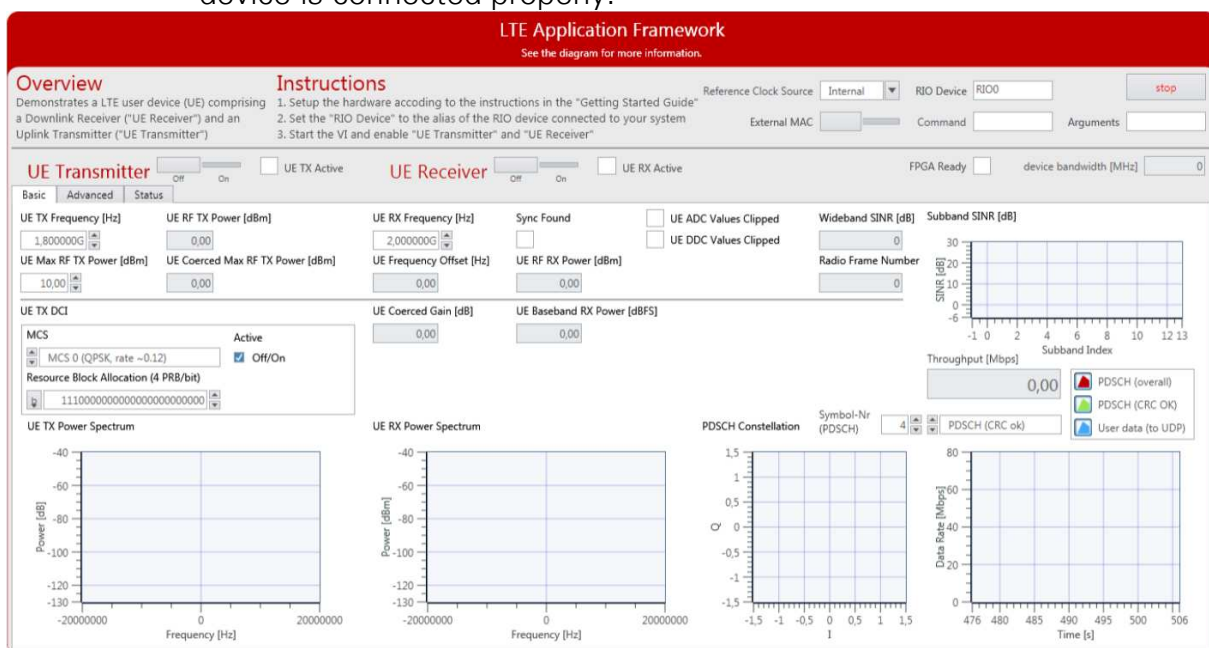


Figure 14 Front Panel of LTE Host UE.gvi

3. Continue initializing the system on the eNodeB host computer.
  - a. Set the control **eNB TX Frequency [Hz]** to a frequency supported by your USRP or FlexRIO device, refer to Table 2.
  - b. Enable the **eNB Transmitter** (implementing a DL TX) by setting the switch control to **On**. If successful, the **eNB TX Active** indicator lights.
4. Continue initializing the system on the UE host computer.

- Set the control **UE RX Frequency [Hz]** to the same value as you have chosen for **eNB TX Frequency [Hz]**.
- Enable **UE Receiver** (implementing a DL RX) by setting the switch control to **On**. If successful, the **UE RX Active** indicator lights.
- Set the control **UE TX Frequency [Hz]** to a frequency supported by your USRP or FlexRIO device, see Table 2.
- Enable the **UE Transmitter** (implementing a UL TX) by setting the switch control to **On**. If successful, the **UE TX Active** indicator lights.
- Continue initializing the system on the eNodeB host computer.
- Set the control **eNB RX Frequency [Hz]** to the same value as you have chosen for **UE TX Frequency [Hz]**.
- Enable **eNB Receiver**, which implements a UL RX, by setting the switch control to **On**. If successful, the **eNB RX Active** indicator lights.

### Verifying the System (Double Device)

If the system is running as expected, all necessary steps as illustrated in Figure 17 were completed successfully. As a result, the indicators and graphs on the host panel should look like the host panels shown in Figure 18, Figure 19, and Figure 21.

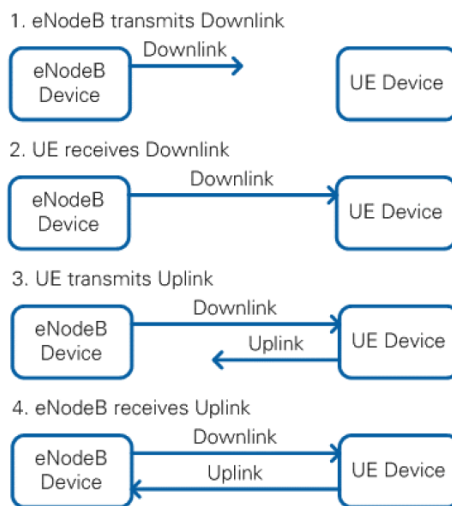


Figure 15 Establishing a DL and UL Connection between eNodeB and UE

The following table provides details on how to confirm that your results look as expected.

Table 8 Verifying the System (Double Device)

Tab	What to Check	Confirm
<b>eNB Basic</b>	eNB TX Power Spectrum graph	Spectrum matches the resource block allocation configured by the <b>Resource Block Allocation [4 PRB/bit]</b> control. This confirms that the eNodeB is successfully transmitting the downlink.
	eNB RX Power Spectrum graph	Matches the UE TX Power Spectrum graph.
	eNB Failure / Block Error Rate (BLER) graph	Constantly zero, which indicates correct PUSCH reception without CRC errors.



Tab	What to Check	Confirm
	Reported DL Block Error Rate graph	Constantly zero, which indicates correct PDSCH reception without CRC errors on the UE RX side. The displayed value should match the PDSCH value of the UE Failure / Block Error Rate (BLER) graph on the <b>UE RX Advanced</b> tab.
	<b>PUSCH Throughput [Mbps]</b> indicator	Non-zero value. The actual value matches the theoretical data rate for the combination of MCS and resource block allocation set for the UE TX.
	<b>Radio Frame Number</b> indicator	Value is rapidly increasing.
<b>eNB Advanced</b>	PUSCH Constellation graph	Shows a clean QPSK or QAM constellation. The modulation depends on the MCS, which is configured on the <b>UE TX Basic</b> tab using the <b>MCS</b> control.
	<b>Reported DL ACK/NACK</b> indicator	With an FDD frame structure, the values are ACK, ACK,..., ACK; with a TDD frame structure, the values are ACK, DTX, DTX, ACK,..., ACK. This indicates the correct PDSCH reception without CRC errors on the UE RX side.
<b>UE Basic</b>	UE RX Power Spectrum graph	Spectrum matches the eNB TX Power Spectrum.
	<b>Sync Found</b> indicator	Indicator is constantly on, showing that the synchronization is successful. Synchronization success is required for correct PDCCH (and PDSCH) reception and decoding.
	PDSCH Constellation graph	Shows a clean QPSK or QAM constellation. The modulation depends on the MCS, which is configured on the <b>eNB TX Basic</b> tab using the <b>MCS</b> control.
	Throughput graph	Shows a constant green curve, indicating a constant value for PDSCH (CRC ok). Shows no red portions in the curve, which means that the PDSCH (CRC ok) value equals the PDSCH(overall) value. Shows the correct PDSCH channel decoding without CRC errors.
	UE TX Power Spectrum graph	Matches the resource block allocation configured by the <b>Resource Block Allocation (4 PRB/bit)</b> control.
<b>UE Advanced</b>	PDCCH Constellation graph	Shows a clean and stable QPSK constellation (indicates allocated PDCCH subcarriers) with an additional dot in the origin (indicates unallocated PDCCH subcarriers). This confirms a correct reception of the PDCCH subcarrier data.
	<b>PDCCH Received DCI Message</b> indicator	<b>Valid</b> indicator is constantly on, and the <b>MCS</b> and <b>Resource Block Allocation [4 PRB/bit]</b> controls match the controls of the same name on the <b>eNB TX Basic</b> tab. This confirms that the PDCCH

Tab	What to Check	Confirm
		reception and decoding is successful, which is required for PDSCH reception and decoding.
	UE Failure / Block Error Rate (BLER) graph	The sync value, PDCCH value, and PDSCH value are all constantly zero. This indicates synchronization success, which is required for correct PDCCH reception and decoding, which is required for PDSCH reception and decoding, which is required for error-free data exchange.
	Channel Estimation graph	For a cabled setup, the Normalized Amplitude graph shows a flat curve around 0 as shown in Figure 19; for an over-the-air setup, any curve is acceptable, since the highs and lows indicate a frequency-selective channel caused by multipath fading. The Phase graph should show a saw tooth curve as shown in Figure 18, which indicates that the FFT cuts slightly into the cyclic prefix.

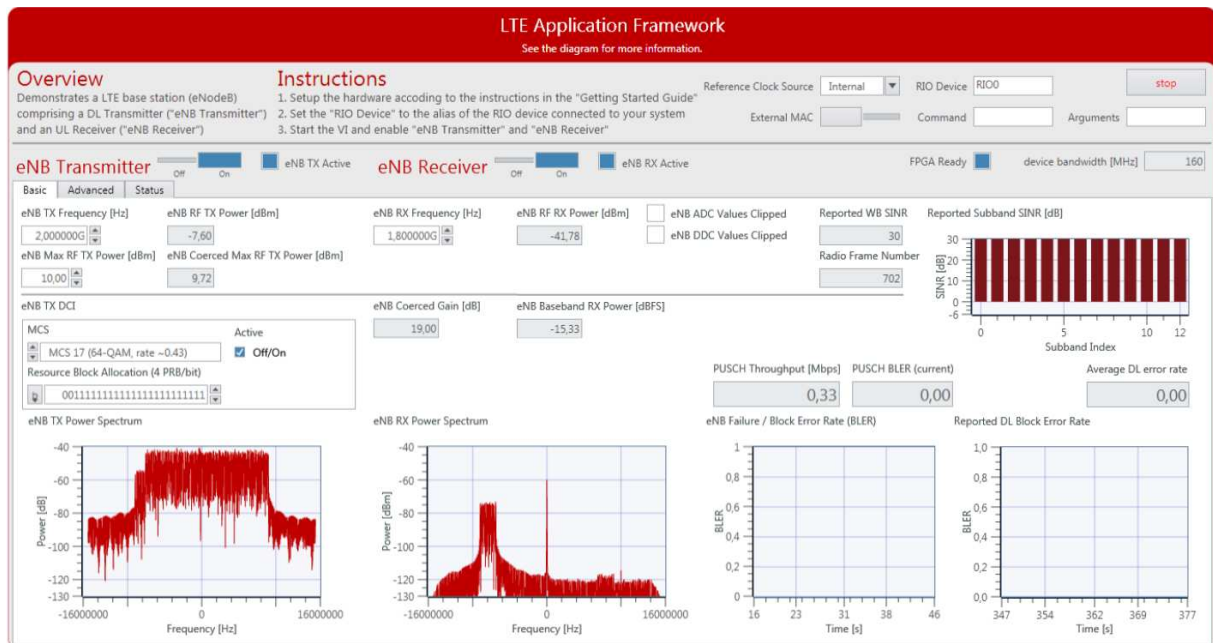


Figure 16 Front Panel of LTE Host eNodeB.gvi / Basic Tabs When Running Successfully

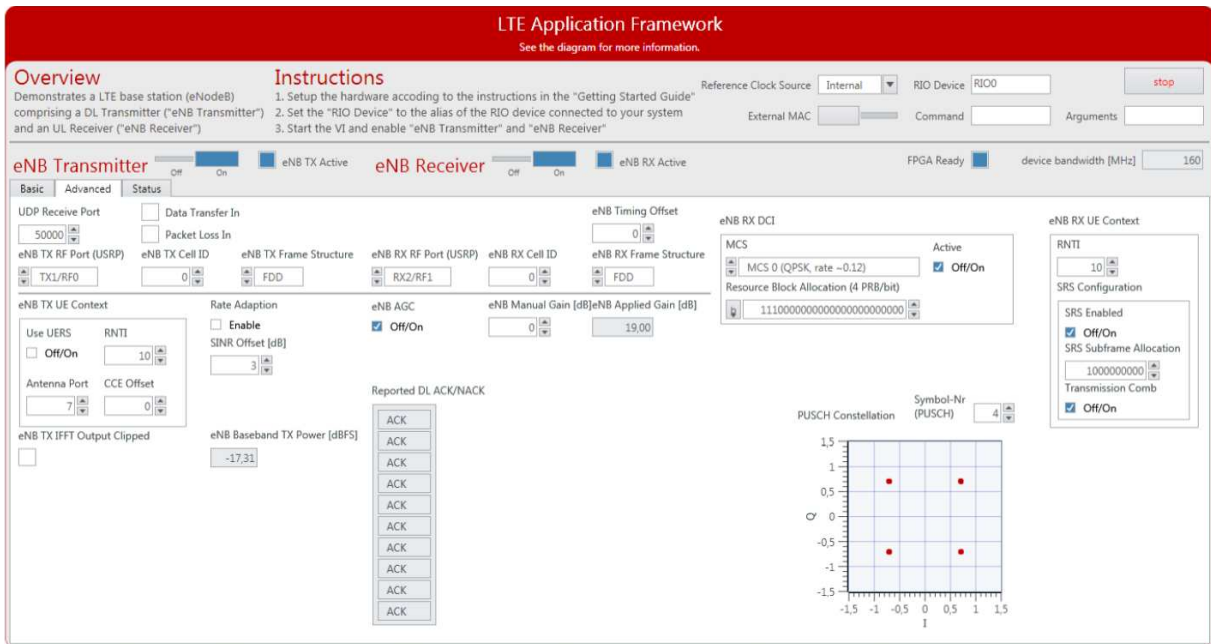


Figure 17 Front Panel of LTE Host eNodeB.gvi / Advanced Tabs When Running Successfully

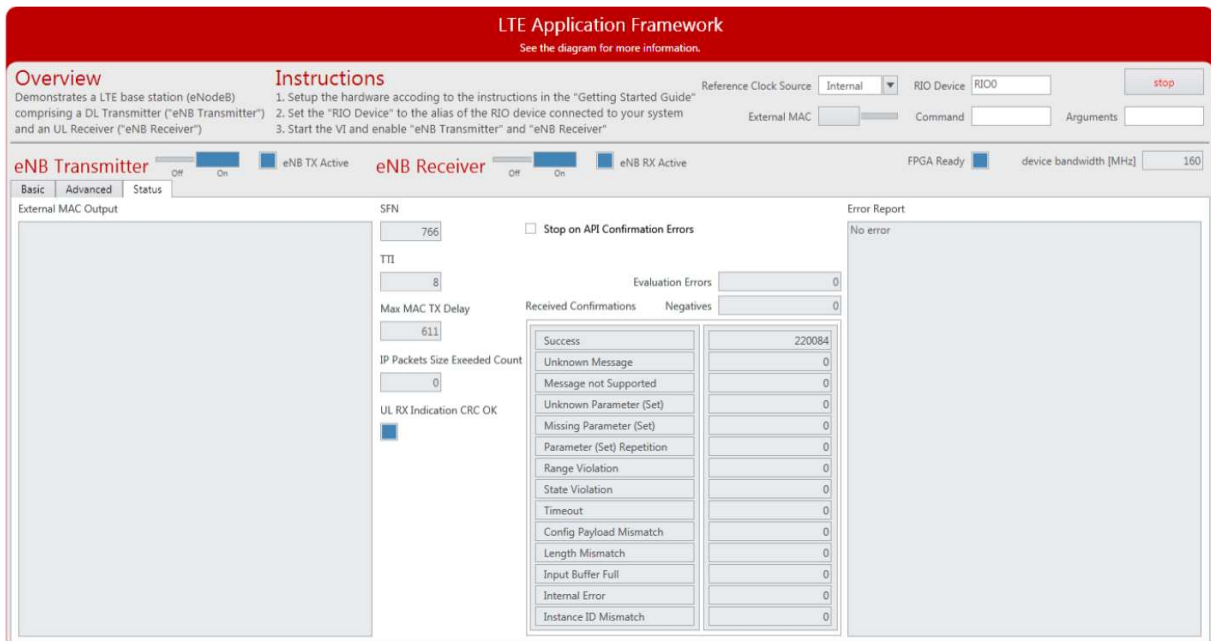


Figure 18 Front Panel of LTE Host eNodeB.gvi / Status Tabs When Running Successfully

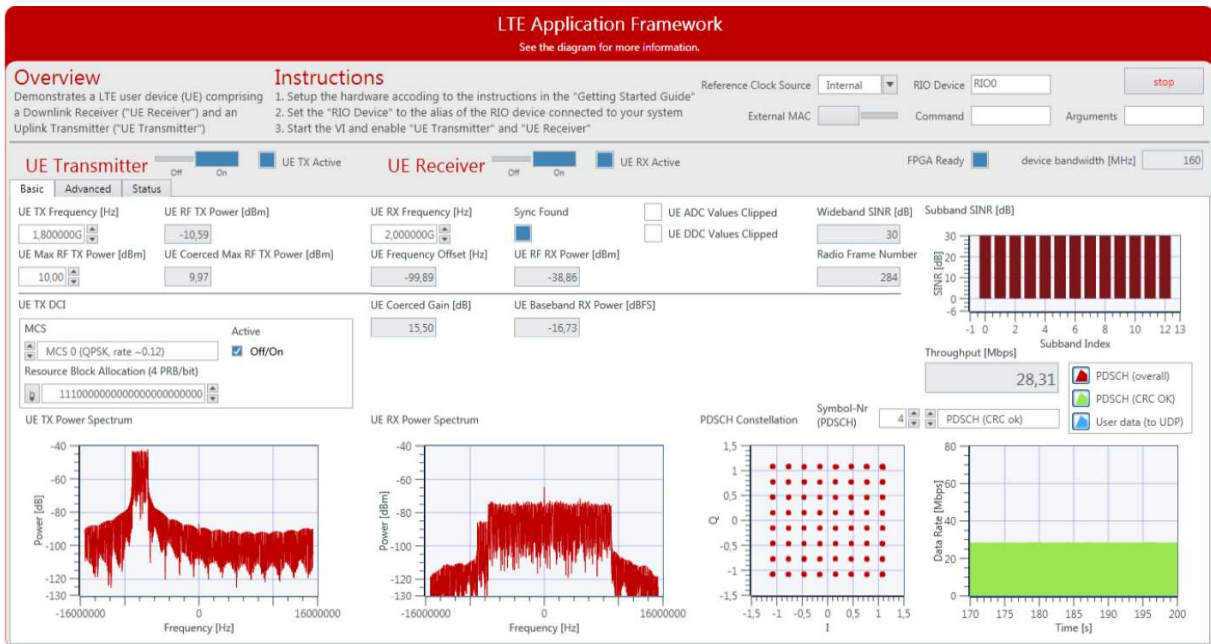


Figure 19 Front Panel of LTE Host UE.gvi / Basic Tabs When Running Successfully

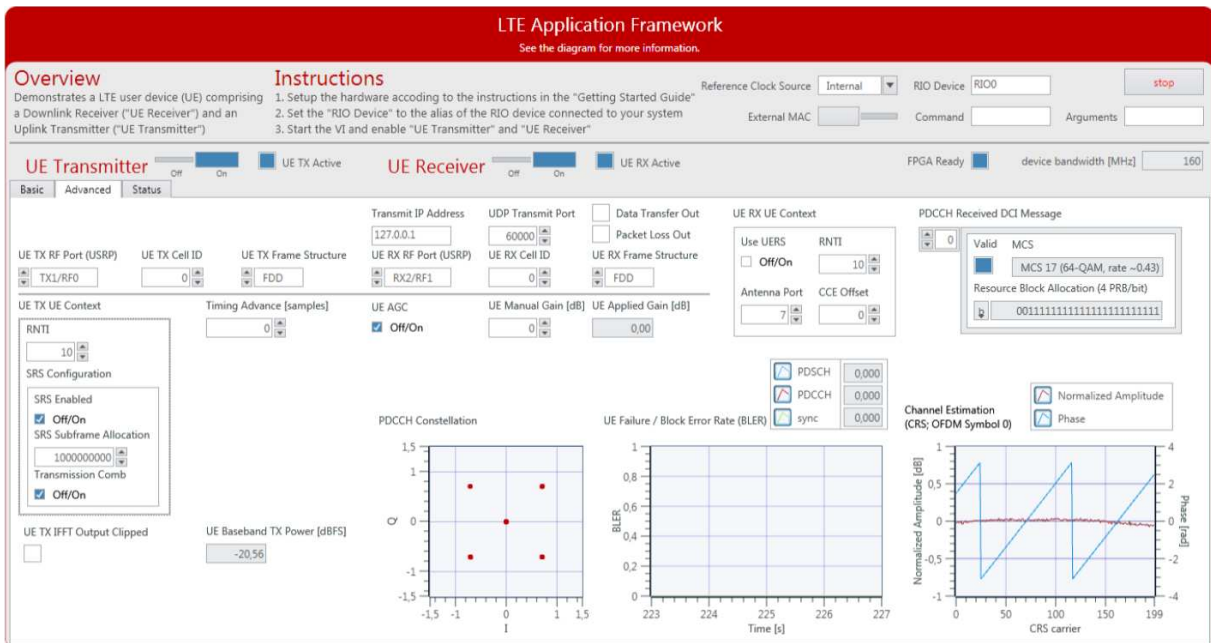


Figure 20 Front Panel of LTE Host UE.gvi / Advanced Tabs When Running Successfully

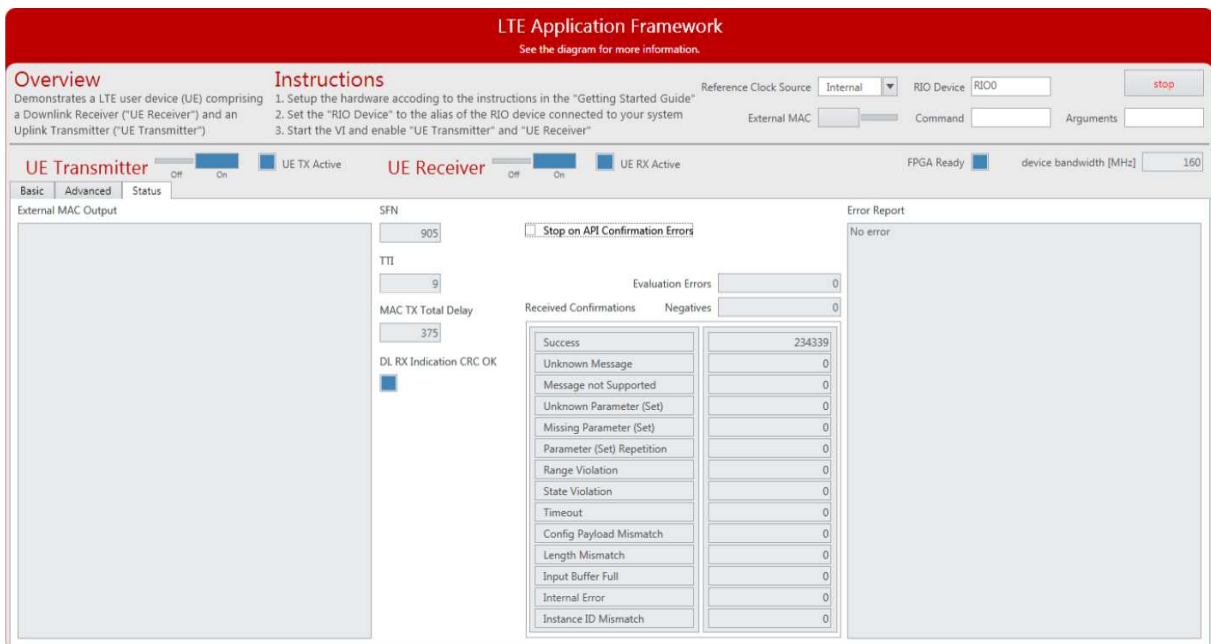


Figure 21 Front Panel of LTE Host UE.gvi / Status Tabs When Running Successfully

## Running Video Streaming (Double Device)

The previous section described how to use the LTE Application Framework with the double-device setup in eNodeB/UE configuration for establishing an LTE downlink between the eNodeB device and the UE device. A basic MAC implementation allows for packet-based data exchange of user data between eNodeB and UE. The user data can be provided to the host using UDP as shown in Figure 11. Any program capable of transmitting UDP data can be used as data source. Similarly, any program capable of receiving UDP data can be used as data sink.

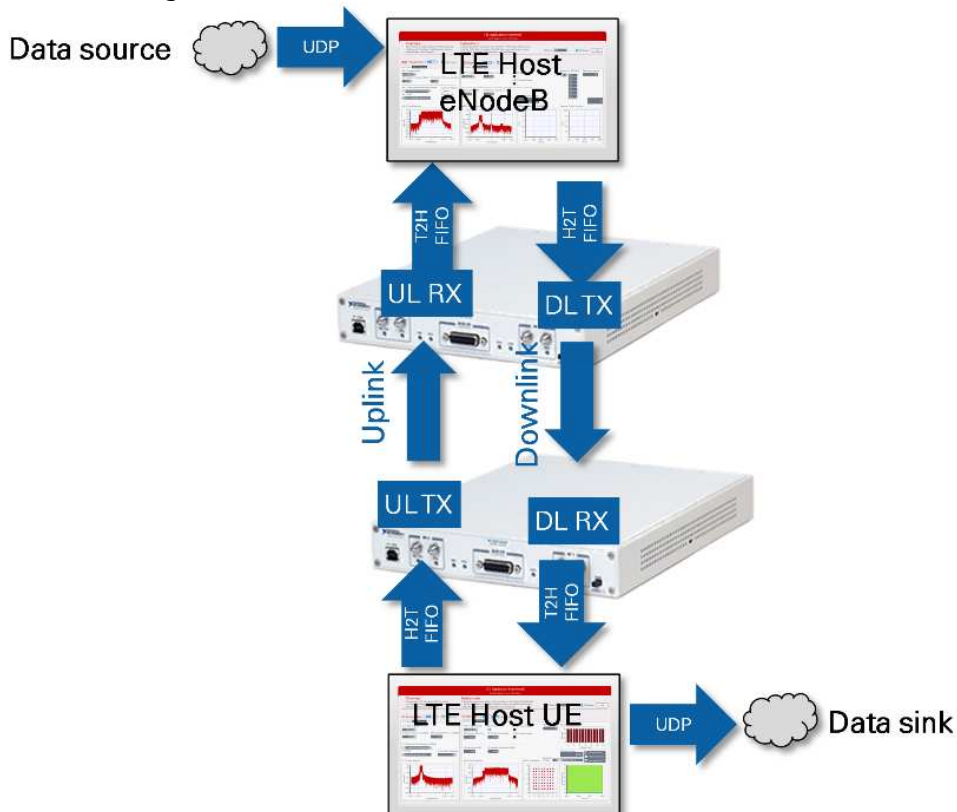


Figure 22 Data Streaming to/from the System Using UDP (eNodeB/UE Operation Mode)

As described in the “Running the Sample Project (Double Device)” section, the VLC media player can be used for streaming video data. The commands described in the “Initializing Video Stream Transmitter” section need to run on the host computer running LTE Host eNodeB.gvi. The commands described in the “Initializing Video Stream Transmitter” section need to run on the host computer running LTE Host UE.gvi.

## Running External MAC Demo Application (Double Device)

The basic MAC implementation of the LTE Application Framework can also be replaced by a full featured external implementation. For this purpose, the LTE Application Framework offers an API to interact with an external MAC. Attaching an external MAC requires a Linux RT setup such as the USRP-2974.

### Preparing External MAC Executable (Double-Device)

1. For both devices do the following steps
  - a. Get ssh access to the Linux RT system, for example using Putty. Visit [ni.com/t/exmmx6](http://ni.com/t/exmmx6) for additional details, including the default username and password.
  - b. Transfer example application to the Linux RT system:  

```
pscp -r \MAC root@RT_LINUX_IP:
```

replace `PATH_TO_AFW_PROJECT` with the path to the LTE Application Framework project and `RT_LINUX_IP` with the IP of the Linux RT Setup.
  - c. Log into the Linux RT system through ssh as root and run the following commands:  

```
opkg update  
opkg install g++ libstdc++-staticdev  
cd ~/MAC  
make install
```
2. Prepare the system as described in Initializing the System (Double Device). In addition, enable the **External MAC switch** control before starting the any of the VIs.

When everything is configured correctly, the system will behave as described in the “Verifying the System (Single-Device)” section. Because the sample application only sends packets for a fixed amount of time, both hosts will stop execution after 10 seconds and report that the connection to the external MAC is broken. Observe that as much the number of PHY TX Indications and PHY TX Requests is exactly the number of packets given in the command line arguments. The number of PHY CNF received is the sum of the PHY TX requests. Because the external MAC might hit exit conditions before the last two PHY CNF are received. The number of PHY DL RX Indications received is around 30-50 smaller than the number of PHY TX requests. The reason for that is that the synchronization in DL RX needs a few radio frames to settle and there is still data in the loop between DL TX and DL RX when the external MAC hits the exit condition.

## Host Panel Controls and Indicators (Double Device)

This section gives information about how to use the controls and how to interpret the graphs and indicators available on the host panel.

## eNodeB Controls and Indicators (Double Device)

### eNodeB Application Settings (Double Device)

These settings need to be set prior to running the GVI. Changes will only be applied after stopping and restarting the GVI.

Table 9 eNodeB Application Settings (Double Device)

Parameter	Details
<b>RIO Device</b>	The RIO address of the RF hardware device
<b>Reference Clock Source</b>	Configures the reference clock source used for the transceiver chain. <ul style="list-style-type: none"><li>• <b>Internal:</b> device internal clock</li><li>• <b>REF IN / ClkIn:</b> Clock input at the RF device (that is, the rear connector portal for USRP devices and the front connector portal for NI-5791 modules)</li><li>• <b>PXI_CLK:</b> Clock of the PXI Chassis (NI-5791 only)</li><li>• <b>GPS:</b> GPS module (USRP-2950/2952/2953/2954/2974)</li></ul>
<b>External MAC</b>	When enabled a program is executed on the RT described by command line and arguments. This switch applies for RT only. When disabled an internal basic MAC will be executed.
<b>Command</b>	Command to execute for external MAC.
<b>Arguments</b>	Arguments to pass to the external MAC.

### eNodeB Basic Runtime Static Settings (Double Device)

These settings on the basic tabs can be changed without restarting the GVI. Value changes are applied when the corresponding transmitter or receiver chain is restarted using the associated switch control (**Off** to **On**).

Table 10 eNodeB Basic Runtime Static Settings (Double Device)

Parameter	Details
<b>eNB Transmitter</b>	Enables or disables the transmitter using the current configuration.
<b>eNB TX Frequency [Hz]</b>	DL TX center frequency, allowed range depends on device used.
<b>eNB Maximum RF TX Power [dBm]</b>	Maximum RF transmit output power (upper bound - achievable for a full scale complex sine wave (CW) signal) <b>Note:</b> The actual time-domain RF transmit power depends on the configured resource allocation and is typically at least 15 dB lower to allow for the OFDM PAPR backoff.
<b>eNB Receiver</b>	Enables or disables the receiver using the current configuration.
<b>eNB RX Frequency [Hz]</b>	UL RX center frequency, allowed range depends on used RF device.

### eNodeB Advanced Runtime Static Settings (Double Device)

These settings on the advanced tabs can be changed without restarting the GVI. Value changes are applied when the corresponding transmitter or receiver chain is restarted using the associated switch control (**Off** to **On**).

Table 11 eNodeB Advanced Runtime Static Settings (Double Device)

Parameter	Details
<b>UDP Receive Port</b>	The UDP port the host monitors for incoming packets to be transferred to the FPGA PDSCH chain.
<b>eNB TX RF Port (USRP)</b>	Selects the HW RF port where the DL TX is transmitted (USRP device only).
<b>eNB TX Frame Structure</b>	Select between FDD and TDD using subframe configuration 5 and special subframe configuration 5 (3GPP TS 36.211 §4).
<b>eNB TX Cell ID</b>	Physical cell ID used for PSS, CRS, UERS sequence generation and PDCCH/PDSCH scrambling. [0...511].
<b>eNB RX RF Port</b>	Selects the HW RF port the UL RX will be received from (USRP device only).
<b>eNB RX Frame Structure</b>	Select between FDD and TDD using subframe configuration 5 and special subframe configuration 5 (3GPP TS 36.211 §4).
<b>eNB RX Cell ID</b>	The physical cell ID used for PUSCH scrambling.

### eNodeB Runtime Dynamic Settings (Double Device)

These setting can be changed while the corresponding transmitter or receiver chain is running. Value changes are applied immediately.

Table 12 eNodeB Runtime Dynamic Settings (Double Device)

Parameter	Details
<b>eNB TX DCI</b>	Downlink control information for the PDCCH content and the PDSCH transmission.
<b>Active</b>	Enables or disables the transmission of PDCCH and PDSCH.
<b>Resource Block Allocation</b>	Resource allocation given as bitmap with each bit representing four physical resource blocks (DL resource allocation type 0, 3GPP TS 36.213 §7.1.6.1). The left-most bit represents lowest resource block index.
<b>MCS</b>	MCS used for PDSCH transmission according to 3GPP TS 36.213 §7.1.7
<b>eNB TX UE Context</b>	UE specific parameters for DL transmission.
<b>Use UERS</b>	If enabled, the DL transmitter feeds UE-specific reference signals into the PDSCH data stream. The usage of UERS is closely related to Transmission Mode 9 defined in the LTE standard 3GPP TS 36.213 §7.1.
<b>Antenna Port</b>	The antenna port used for generating UERS, Range: 7...14 according to 3GPP TS 36.213 §7.1.
<b>RNTI</b>	The radio network temporary identifier used for PDSCH scrambling and PDCCH CRC mask generation.
<b>CCE Offset</b>	First control channel element to be used for PDCCH transmission. According to 3GPP TS 36.211 §6.8.1/.2.
<b>eNB Timing Offset</b>	Changes the eNodeB timing (start of radio frame). Given in 30.72MS/s.



Parameter	Details
<b>Rate Adaptation</b>	If enabled, <b>eNB TX MCS</b> is automatically adapted to reported/measured <b>Wideband SINR [dB]</b> to handle with channel quality fluctuations. The adaptation is calibrated so that the applied MCS produces about 5% to 10% BLER under current MCS conditions. If that is not desired, <b>SINR Offset [dB]</b> needs to be modified.
<b>SINR Offset [dB]</b>	This value is effectively subtracted from the reported SINR before looking up the MCS in the adaptation table. That is, if a positive offset is configured, a higher reported SINR is required to adapt to a certain MCS to avoid block errors.
<b>eNB RX DCI</b>	Parameters for reception of PUSCH.
<b>Active MCS</b>	Enables or disabled the reception of the PUSCH.
<b>Resource Block Allocation</b>	Modulation and coding scheme used for PUSCH reception according to 3GPP TS 36.213 §7.1.7.
<b>Resource Block Allocation</b>	Resource allocation for PUSCH given as bitmap with each bit representing 4 physical resource blocks (DL resource allocation type 0, 3GPP TS 36.312 §7.1.6.1). Leftmost bit represents lowest resource block index.
<b>eNB RX UE Context</b>	UE-specific parameters for UL reception.
<b>RNTI</b>	The radio network temporary identifier used for PUSCH scrambling.
<b>SRS Configuration</b>	The configuration used for receiving sounding reference signals.
<b>SRS Enabled</b>	If TRUE, sounding reference signal (SRS) location is reserved as last symbol in each UL subframe (FDD, TDD) and last 2 symbols in each special subframe (TDD) according to 3GPP TS 36.211 §5.5.3.3: FDD: srs-SubframeConfig = 0, TDD: srs-SubframeConfig = 7.
<b>SRS Subframe Allocation</b>	Bitmap determining the subframes actually used for SRS transmission. Periodicity of 10, leftmost bit represents subframe 0.
<b>Transmission Comb</b>	Parameter transmissionComb k_TC determining if even (0) or odd (1) subcarriers are used for SRS transmission/reception. See also 3GPP TS 36.211 §5.5.3.2
<b>Symbol-Nr (PUSCH)</b>	The OFDM symbol number used for displaying constellation data for PUSCH I/Q samples.
<b>eNB AGC</b>	Enables or disables the automated gain control on the receiver side. If enabled the analog RX gain of the RF device will be automatically configured within its valid range to meet a target range for the baseband receive power.
<b>eNB Manual Gain Value [dB]</b>	Controls the analog RX gain in case <b>eNB AGC</b> is switched off.

## eNodeB Graphs and Indicators (Double Device)

The indicators on the front panel represent the state of the target device and show information about ongoing transfers.

Table 13 eNodeB Graphs and Indicators (Double Device)

Parameter	Details
<b>FPGA ready</b>	Signals that the FPGA bitfile has been downloaded and that the device has been initialized and is ready for configuration. Initialization can take up to 20 seconds.
<b>eNB TX Active</b>	Signals that all eNB TX control configurations have been applied and the transmitter is running.
<b>eNB RF TX Power [dBm]</b>	Actual eNB RF transmit power in dBm.
<b>eNB Coerced Max RF TX Power [dBm]</b>	Indicates the coerced value actually used as maximum RF transmit output power level after applying the device's capabilities (range and resolution limitations) to the configured <b>eNB Maximum RF TX Power [dBm]</b> .
<b>eNB TX Power Spectrum</b>	Shows the power spectrum of the DL TX baseband signal transferred to the RF.
<b>Data Transfer In</b>	Indicates that the configured UDP stream is receiving data on the configured <b>Receive Port</b> .
<b>Packet Loss In</b>	Indicates that the system loses UDP data due to overload. Data inflow from UDP port is higher than configured PDSCH throughput.
<b>eNB TX IFFT Output Clipped</b>	Indicates a numeric overflow after the IFFT.
<b>eNB Baseband TX Power [dBFS]</b>	Actual eNB baseband transmit power level [baseband output power level] in dB full scale.
<b>eNB RX Active</b>	Indicates that all eNB RX control configurations have been applied and the receiver is running.
<b>eNB RF RX Power [dBm]</b>	Measured time domain receive power at the RX RF port.
<b>eNB ADC Values Clipped</b>	Indicates a numeric overflow at the ADC output. Overflows can be caused when the analog RX RF gain too high or the receive power level too high.
<b>eNB DDC Values Clipped</b>	Indicates a numeric overflow at the output of the digital downconversion block. Overflows can be caused when the analog RX RF gain too high or the receive power level too high.
<b>eNB Coerced Gain [dB]</b>	The actual used analog RX RF gain either set by automatic gain control (AGC), if enabled, or by <b>UE Manual Gain Value [dB]</b> .
<b>eNB Baseband RX Power [dBFS]</b>	The measured baseband RX power level in dB full scale.
<b>eNB RX Power Spectrum</b>	Shows the power spectrum of the UL RX baseband signal received from RF.
<b>PUSCH Throughput [Mbps]</b>	Achieved throughput on the PUSCH channel.

Parameter	Details
<b>eNB Failure / Block Error Rate (BLER)</b>	Graphical display of PUSCH reception block error rate.
<b>Reported DL ACK/NACK</b>	Array showing the latest received DL ACK/NACK report from UE side.
<b>Radio Frame Number</b>	The number of the latest successfully received report ranging from 0...1023.
<b>Reported DL Block Error Rate</b>	Graphical and numerical representation of the DL receiver block error rate on the UE side reported back to the eNodeB.
<b>Reported Subband SINR [dB]</b>	The reported SINR for each subband occupying 8 PRBs. Comparable to Reporting Mode 3-0 in 3GPP TS 36.213 §7.2.1. Usage of CRS or UERS for estimation depends on setting of <b>Use UERS</b> switch in <b>UE RX System Parameters</b> on the UE side.
<b>Reported Wideband SINR [dB]</b>	The reported SINR over the full 20 MHz band using cell specific reference signals.
<b>PUSCH Constellation</b>	Constellation of RX I/Q samples allocated for PUSCH transmission after equalization. Only samples for the configured OFDM <b>Symbol-Nr (PUSCH)</b> are displayed.

#### Host Panel UE (Double Device)

#### UE Application Settings (Double Device)

These settings need to be set prior to running the GVI. Changes will only be applied after stopping and restarting the GVI.

*Table 14 UE Application Settings (Double Device)*

Parameter	Details
<b>RIO Device</b>	The RIO address of the RF hardware device.
<b>Reference Clock Source</b>	Configures the reference clock source used for the transceiver chain <ul style="list-style-type: none"> <li>• <b>Internal:</b> device internal clock</li> <li>• <b>REF IN / ClkIn:</b> Clock input at the RF device (that is, rear connector port of the USRP device, front connector port for the NI-5791 module)</li> <li>• <b>PXI_CLK:</b> Clock of the PXI Chassis (NI-5791 only)</li> <li>• <b>GPS:</b> GPS module (USRP-2950/2952/2953/2954/2974)</li> </ul>
<b>External MAC</b>	When enabled a program is executed on the RT described by command line and arguments. This switch applies for RT only. When disabled an internal basic MAC will be executed.
<b>Command</b>	Command to execute for external MAC.
<b>Arguments</b>	Arguments to pass to the external MAC.

#### UE Basic Runtime Static Settings (Double Device)

These settings on the basic tabs can be changed without restarting the GVI. Value changes are applied when the corresponding transmitter or receiver chain is restarted using the associated switch control (**Off** to **On**).

Table 15 UE Basic Runtime Static Settings (Double Device)

Parameter	Details
<b>UE Transmitter</b>	Enables or disables the transmitter using the current configuration.
<b>UE TX Frequency [Hz]</b>	UL TX center frequency, allowed range depends on used RF device.
<b>UE Maximum RF TX Power [dBm]</b>	Maximum RF transmit output power; the upper bound is achievable for a full scale CW signal. The actual time-domain RF transmit power depends on the configured resource allocation and is typically at least 15 dB lower to allow for the OFDM PAPR backoff.
<b>Timing Advance [samples]</b>	The applied UL timing advance, that is, the number of samples the UL TX is started earlier than the DL RX. Given in 30.72 MS/s domain.
<b>UE Receiver</b>	Enables or disables the receiver using the current configuration.
<b>UE RX Frequency [Hz]</b>	DL RX center frequency, allowed range depends on used RF device.

### UE Advanced Runtime Static Settings (Double Device)

These settings, placed on the advanced tabs, can be changed without restarting the GVI. Value changes are applied when the corresponding transmitter or receiver chain is restarted using the associated switch control (**Off** to **On**).

Table 16 UE Advanced Runtime Static Settings (Double Device)

Parameter	Details
<b>UE TX RF Port (USRP)</b>	Selects the HW RF port the UL TX will be transmitted on (USRP device only).
<b>UE TX Frame Structure</b>	Select between FDD and TDD using subframe configuration 5 and special subframe configuration 5 (3GPP TS 36.211 §4).
<b>UE TX Cell ID</b>	Physical cell ID used for PUSCH scrambling.
<b>Transmit IP Address</b>	The IP address the UDP packets received from PDSCH shall be sent to.
<b>UDP Transmit Port</b>	The UDP port the UDP packets received from PDSCH shall be sent to.
<b>UE RX RF Port</b>	Selects the HW RF port the DL RX will be received from (USRP device only).
<b>UE RX Frame Structure</b>	Select between FDD (frequency division duplex) and TDD (time division duplex) using subframe configuration 5 and special subframe configuration 5 (3GPP TS 36.211 §4).
<b>UE RX Cell ID</b>	Physical cell ID used for PSS, CRS, UERS sequence generation and PDCCH/PDSCH scrambling. [0...511].

### UE Runtime Dynamic Settings (Double Device)

These settings can be changed while the corresponding transmitter or receiver chain is running. Value changes are applied immediately.

Table 17 UE Runtime Dynamic Settings (Double Device)

Parameter	Details
<b>UE TX DCI</b>	Parameters for transmission of PUSCH.
<b>Active MCS</b>	Enables or disabled the transmission of the PUSCH.
<b>MCS</b>	MCS used for PUSCH transmission according to 3GPP TS 36.213 §7.1.7.
<b>Resource Block Allocation</b>	Resource allocation for PUSCH given as bitmap with each bit representing four physical resource blocks (DL resource allocation type 0, 3GPP TS 36.312 §7.1.6.1). Leftmost bit represents lowest resource block index.
<b>UE TX UE Context</b>	UE-specific parameters for UL transmission.
<b>RNTI</b>	The radio network temporary identifier used for PUSCH scrambling.
<b>SRS Configuration</b>	The configuration used for transmitting sounding reference signal.
<b>SRS Enabled</b>	If TRUE, SRS location is reserved as last symbol in each UL subframe (FDD, TDD) and last 2 symbols in each special subframe (TDD) according to 3GPP TS 36.211 §5.5.3.3: FDD: srs-SubframeConfig = 0, TDD: srs-SubframeConfig = 7.
<b>SRS Subframe Allocation</b>	Bitmap determining the subframes actually used for SRS transmission. Periodicity of 10, leftmost bit represents subframe 0.
<b>Transmission Comb</b>	Parameter transmissionComb k_TC determining if even (0) or odd (1) subcarriers are used for SRS transmission/reception. See also 3GPP TS 36.211 §5.5.3.2.
<b>UE RX UE Context</b>	UE specific parameters for DL reception.
<b>Use UERS</b>	If enabled the DL receiver will use UE specific reference signals for equalizing PDSCH assigned I/Q samples. The usage of UERS is closely related to Transmission Mode 9 defined in the LTE standard 3GPP TS 36.213 §7.1.
<b>Antenna Port</b>	The antenna port used for generating UERS for channel estimation, Range: 7...14 according to 3GPP TS 36.213 §7.1.
<b>RNTI</b>	The radio network temporary identifier used for PDSCH scrambling and PDCCH CRC mask check.
<b>CCE Offset</b>	First control channel element to be used for PDCCH reception. According to 3GPP TS 36.211 §6.8.1/2.
<b>Symbol-Nr (PDSCH)</b>	The OFDM symbol number (counting from 0 with symbol 0 being occupied by the PDCCH) used for displaying constellation data for PDSCH I/Q samples.
<b>Throughput [Mbps] select</b>	Selects the used values for throughput calculation. <ul style="list-style-type: none"> <li><b>PDSCH (overall)</b>: the total throughput scheduled by the eNodeB TX regardless of CRC result.</li> </ul>

Parameter	Details
	<ul style="list-style-type: none"> <li>• <b>PDSCH (CRC ok)</b>: the actual achieved physical layer throughput that could be decoded successfully.</li> <li>• <b>User data (to UDP)</b>: the higher layer throughput (from/to UDP stream) after removing the padding.</li> </ul>
<b>UE AGC</b>	Enables or disables the automated gain control on the receiver side. If enabled the analog RX gain of the RF device will be automatically configured within its valid range to meet a target range for the baseband receive power.
<b>UE Manual Gain Value [dB]</b>	Controls the analog RX gain in case <b>UE AGC</b> is switched off.

### UE Graphs and Indicators (Double Device)

The indicators on the front panel represent the state of the target device and show information about ongoing transfers.

*Table 18 UE Graphs and Indicators (Double Device)*

Parameter	Details
<b>FPGA ready</b>	Signals that the FPGA bitfile has been downloaded and that the device has been initialized and is ready for configuration. Initialization can take up to 20 seconds.
<b>UE TX Active</b>	Signals that all UE TX control configurations have been applied and the transmitter is running.
<b>UE RF TX Power [dBm]</b>	Actual UE RF transmit power in dBm.
<b>UE Coerced Max RF TX Power [dBm]</b>	Indicates the coerced value actually used as maximum RF transmit output power after applying the device's capabilities (range and resolution limitations) to the configured <b>UE Maximum RF TX Power [dBm]</b> .
<b>UE TX Power Spectrum</b>	Shows the power spectrum of the UL TX baseband signal transferred to the RF.
<b>UE TX IFFT Output Clipped</b>	Indicates a numeric overflow after the IFFT.
<b>UE Baseband TX Power [dBFS]</b>	Actual UE baseband transmit power level [baseband output power level] in dB full scale.
<b>UE RX Active</b>	Signals that all UE RX control configurations have been applied and the receiver is running.
<b>Sync Found</b>	Indicates that the synchronization module has successfully detected and synchronized to a DL RX signal.
<b>UE Frequency Offset [Hz]</b>	The estimated and compensated frequency offset detected in the RX signal.
<b>UE RF RX Power [dBm]</b>	The measured time domain receive power at the RX RF port.
<b>UE ADC Values Clipped</b>	Indicates a numeric overflow at the analog-to-digital converter (ADC) output, that is, the analog RX RF gain is too high or the receive power level is too high.

Parameter	Details
<b>UE DDC Values Clipped</b>	Indicates a numeric overflow at the output of the digital downconversion block, that is, the analog RX RF gain is too high, or the input power level is too high.
<b>UE Coerced Gain [dB]</b>	The actual used analog RX RF gain either set by AGC, if enabled, or by <b>UE Manual Gain Value [dB]</b> .
<b>UE Baseband RX Power [dBFS]</b>	The measured baseband receive power level in dB full scale.
<b>UE RX Power Spectrum</b>	Shows the power spectrum of the DL RX baseband signal received from RF. If synchronization is successful frequency offset compensation is applied.
<b>PDSCH Constellation</b>	Constellation of RX I/Q samples allocated for PDSCH transmission after equalization. Only samples for the configured OFDM <b>Symbol-Nr (PDSCH)</b> are displayed.
<b>Wideband SINR [dB]</b>	The estimated SINR over the full 20 MHz band using cell specific reference signals.
<b>Subband SINR [dB]</b>	The estimated SINR for each subband occupying 8 PRBs. Comparable to Reporting Mode 3-0 in 3GPP TS 36.213 §7.2.1. Usage of CRS or UERS for estimation depends on setting of <b>Use UERS</b> switch in <b>UE RX System Parameters</b> .
<b>Throughput [Mbps]</b>	Numerical and graphical indication of scheduled, successfully decodable and actually used channel capacity. <ul style="list-style-type: none"> <li>• <b>PDSCH (overall)</b>: the total throughput scheduled by the eNodeB TX regardless of CRC result.</li> <li>• <b>PDSCH (CRC ok)</b>: the really achieved physical layer throughput, which could be decoded successfully.</li> <li>• <b>User data (to UDP)</b>: the higher layer throughput (from/to UDP stream) after removing the padding.</li> </ul>
Data Transfer Out	Indicates that the configured UDP stream is sending data to the configured <b>Transmit IP Address</b> using <b>Transmit Port</b> .
Packet Loss Out	Indicates that the system loses UDP data due to overload, that is, the data inflow from PDSCH is higher than the UDP throughput.
<b>PDCCH Constellation</b>	Constellation of RX I/Q samples allocated for PDCCH transmission after equalization.
<b>UE Failure / Block Error Rate (BLER)</b>	Numerical and graphical display of error rates for synchronization detection, PDCCH and PDSCH decoding.
<b>Channel Estimation</b>	Graphical representation of the normalized channel amplitude and phase estimated on the cell specific reference signals.
<b>PDCCH Received DCI Message</b>	Array of decoded and interpreted downlink control information messages received on PDCCH and applied to PDSCH decoding. Each element corresponds to a DL subframe.

## Known Issues

You can access the known issues list online at [ni.com/manuals](http://ni.com/manuals).

## Related Information

- Refer to [ni.com/manuals](http://ni.com/manuals) to access the getting started guide for your hardware.
- Visit [ni.com/r/LTEAppFWManual](http://ni.com/r/LTEAppFWManual) to access the *LabVIEW Communications LTE Application Framework Manual* for more information about the LTE Application Framework design.
- Visit [ni.com/r/commsmanual](http://ni.com/r/commsmanual) to access the *LabVIEW Communications System Design Suite Manual* for information about LabVIEW concepts or objects used in this sample project.
- You also can use the **Context Help** window to learn basic information about LabVIEW objects as you move the cursor over each object. To display the **Context Help** window in LabVIEW, select **Item»Documentation»Context Help** or press Ctrl+H.
- [3GPP TS 36.211 \(Physical channels and modulation\) Release 10](#)
- [3GPP TS 36.212 \(Multiplexing and channel coding\) Release 10](#)
- [3GPP TS 36.213 \(Physical layer procedure\) Release 10](#)

## Abbreviations

Abbreviation	Meaning
3GPP	3 <sup>rd</sup> Generation Partnership Projects
ACK	Acknowledgement
ADC	Analog-to-digital converter
AGC	Automatic gain control
ARQ	Automatic repeat request
BLER	Block error rate
BW	Bandwidth
CCE	Control channel element
CDI	Downlink control information
CFI	Control format Indicator
CRC	Cyclic redundancy check
CRS	Cell specific reference symbols
CW	Complex sine wave
DCI	Downlink control information
DL	Downlink
eNB/eNodeB	Evolved NodeB (base station in LTE network)
FDD	Frequency division duplex
FFT	Fast Fourier transform
IFFT	Inverse FFT
I/Q	In-phase/quadrature
LTE	Long Term Evolution
NACK	Negative acknowledgement
MAC	Medium access control layer
MCS	Modulation and coding scheme
OFDM	Orthogonal frequency-division multiplexing
OFDMA	OFDM access
PAPR	Peak-to-average power ratio
PBCH	Physical broadcast channel
PCFICH	Physical control format indicator channel



<b>Abbreviation</b>	<b>Meaning</b>
PDCCH	Physical downlink control channel
PDSCH	Physical downlink shared channel
PHICH	Physical hybrid-ARQ indicator channel
PHY	Physical layer
PRACH	Physical random access channel
PSS	Primary synchronization sequence
PUCCH	Physical uplink control channel
PUSCH	Physical uplink shared channel
QAM	Quadrature amplitude modulation
QPSK	Quadrature phase shift keying
RX	Receive
SC-FDMA	Single-carrier frequency division multiplexing access
SINR	Signal to interference noise ratio
SRS	Sounding reference symbols
SSS	Secondary synchronization sequence
TB	Transport block
TDD	Time division duplex
TX	Transmit
UDP	User datagram protocol
UE	User equipment (user device in LTE network)
UERS	UE specific reference symbols
UL	Uplink

Refer to the *NI Trademarks and Logo Guidelines* at [ni.com/trademarks](http://ni.com/trademarks) for more information on NI trademarks. Other product and company names mentioned herein are trademarks or trade names of their respective companies. For patents covering NI products/technology, refer to the appropriate location: **Help»Patents** in your software, the `patents.txt` file on your media, or the *National Instruments Patents Notice* at [ni.com/patents](http://ni.com/patents). You can find information about end-user license agreements (EULAs) and third-party legal notices in the `readme` file for your NI product. Refer to the *Export Compliance Information* at [ni.com/legal/export-compliance](http://ni.com/legal/export-compliance) for the NI global trade compliance policy and how to obtain relevant HTS codes, ECCNs, and other import/export data. NI MAKES NO EXPRESS OR IMPLIED WARRANTIES AS TO THE ACCURACY OF THE INFORMATION CONTAINED HEREIN AND SHALL NOT BE LIABLE FOR ANY ERRORS. U.S. Government Customers: The data contained in this manual was developed at private expense and is subject to the applicable limited rights and restricted data rights as set forth in FAR 52.227-14, DFAR 252.227-7014, and DFAR 252.227-7015.

