

## COMPREHENSIVE SERVICES

We offer competitive repair and calibration services, as well as easily accessible documentation and free downloadable resources.

## SELL YOUR SURPLUS

We buy new, used, decommissioned, and surplus parts from every NI series. We work out the best solution to suit your individual needs.

 Sell For Cash    Get Credit    Receive a Trade-In Deal

## OBSOLETE NI HARDWARE IN STOCK & READY TO SHIP

We stock **New**, **New Surplus**, **Refurbished**, and **Reconditioned** NI Hardware.



*Bridging the gap between the manufacturer and your legacy test system.*

 1-800-915-6216

 [www.apexwaves.com](http://www.apexwaves.com)

 [sales@apexwaves.com](mailto:sales@apexwaves.com)

*All trademarks, brands, and brand names are the property of their respective owners.*

**Request a Quote**

 **CLICK HERE**

**SCB-100**

## IMAQ D100100 CABLE

This guide describes how to attach the IMAQ D100100 cable to your digital image acquisition (IMAQ) device and the SCB-100 100-pin shielded connector block.

You can use the SCB-100 connector block to connect signals to your digital IMAQ device.

### What You Need to Get Started

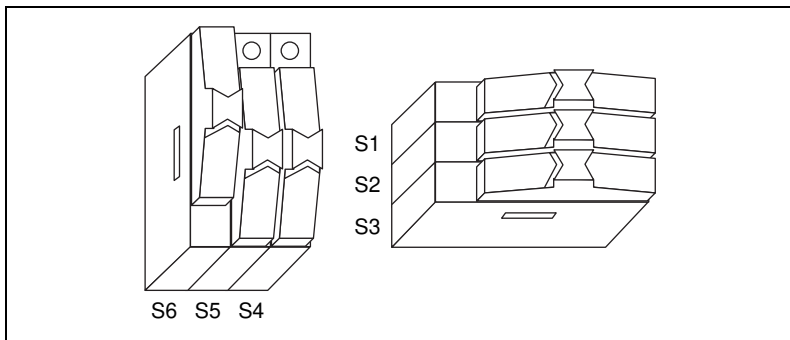
---

To install your IMAQ D100100 cable, you will need the following:

- IMAQ D100100 cable
- IMAQ D100100 Cable Installation Guide*
- SCB-100 100-pin shielded connector block and documentation
- SCB-100 IMAQ quick reference label (included with your IMAQ D100100 cable)
- Your IMAQ device and documentation
- Your computer
- Your digital camera

# Switch Settings

Before you connect your IMAQ D100100 cable to the SCB-100 connector block, you must change the SCB-100 switch settings to the generic screw terminals switch configuration, as shown in Figure 1. This setting change disconnects the SCB-100 temperature sensor and accessory grounds.



**Figure 1.** SCB-100 Switch Settings for IMAQ

## IMAQ Quick Reference Label

A quick reference label is included to show switch configurations and define screw terminal pinouts for your IMAQ digital device. Attach the quick reference label to the connector block's inside cover for quick reference.

## Signal Connections

Follow the instructions and heed safety warnings in the *Signal Connection* section of the *SCB-100 100-Pin Shielded Connector Block Installation Guide* to connect your signals.

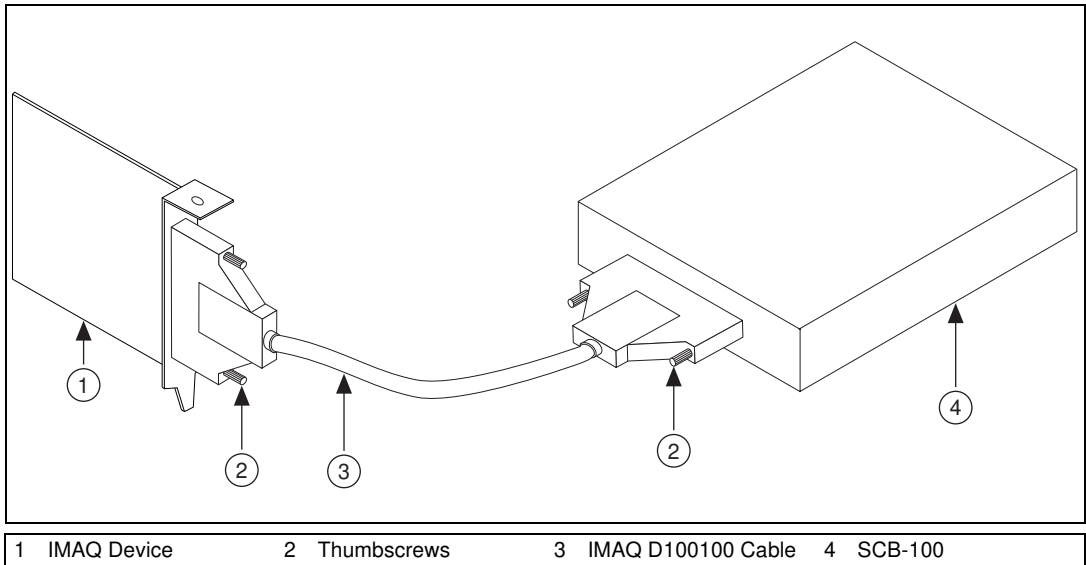


### Note

***The cold-junction compensation temperature sensor and the signal accessory power LED on the SCB-100 do not operate when you use the SCB-100 with IMAQ devices.***

# Installation

As shown in Figure 2, attach one end of the D100100 cable to your IMAQ device and attach the other to the SCB-100 connector block. Tighten thumbscrews as necessary.



**Figure 2.** Connecting the D100100 Cable to Your IMAQ Device and SCB-100



321950A-01

Apr98