

COMPREHENSIVE SERVICES

We offer competitive repair and calibration services, as well as easily accessible documentation and free downloadable resources.

SELL YOUR SURPLUS

We buy new, used, decommissioned, and surplus parts from every NI series. We work out the best solution to suit your individual needs.

 Sell For Cash  Get Credit  Receive a Trade-In Deal

OBSOLETE NI HARDWARE IN STOCK & READY TO SHIP

We stock **New**, **New Surplus**, **Refurbished**, and **Reconditioned** NI Hardware.



Bridging the gap between the manufacturer and your legacy test system.

 1-800-915-6216

 www.apexwaves.com

 sales@apexwaves.com

All trademarks, brands, and brand names are the property of their respective owners.

Request a Quote

 **CLICK HERE**

SCXI-1000DC

SCXI-1371 RACK-MOUNT KIT

This guide describes how to attach the SCXI-1371 rack-mount kit to an SCXI-1000, SCXI-1000DC, or SCXI-2000 chassis.

Introduction

You can use the SCXI-1371 rack-mount kit to mount an SCXI-1000, SCXI-1000DC, or an SCXI-2000 chassis in a standard 19 in. rack. With the multiposition rack-mount brackets, you can install the SCXI chassis in one of six different positions to attain the desired front panel depth.

What You Need to Get Started

- SCXI-1371 rack-mount kit
 - Rack-mount bracket
 - Four 8-32 by 5/16 in. Phillips flathead screws
 - Four 10-32 by 1/2 in. Phillips panhead screws
 - Rack-mount bracket for the 4-slot SCXI-1371 chassis (with the longer side panel)
 - Brace for the 4-slot SCXI-1371 chassis
 - Four 6-32 hex nuts
 - Four no. 6 lockwashers
 - Two 6-32 by 1/4 in. Phillips panhead screws
 - SCXI-1371 Rack-Mount Kit Installation Guide*

- No. 2 Phillips-head screwdriver

- 5/16 in. nut driver

- SCXI chassis

SCXI™ is a trademark of National Instruments Corporation. Product and company names are trademarks or trade names of their respective companies.

Installation

Refer to Figure 1 as you perform steps 1-4. The rack-mount bracket with the longer side panel can be mounted on either side of the SCXI chassis. Both rack-mount brackets can be mounted in one of six positions to attain different depths. For detailed measurements of the SCXI-1000, SCXI-1000DC, or SCXI-2000 chassis, refer to Appendix A, *Specifications*, of the *SCXI Chassis User Manual*. Item numbers refer to the labels in Figure 1.

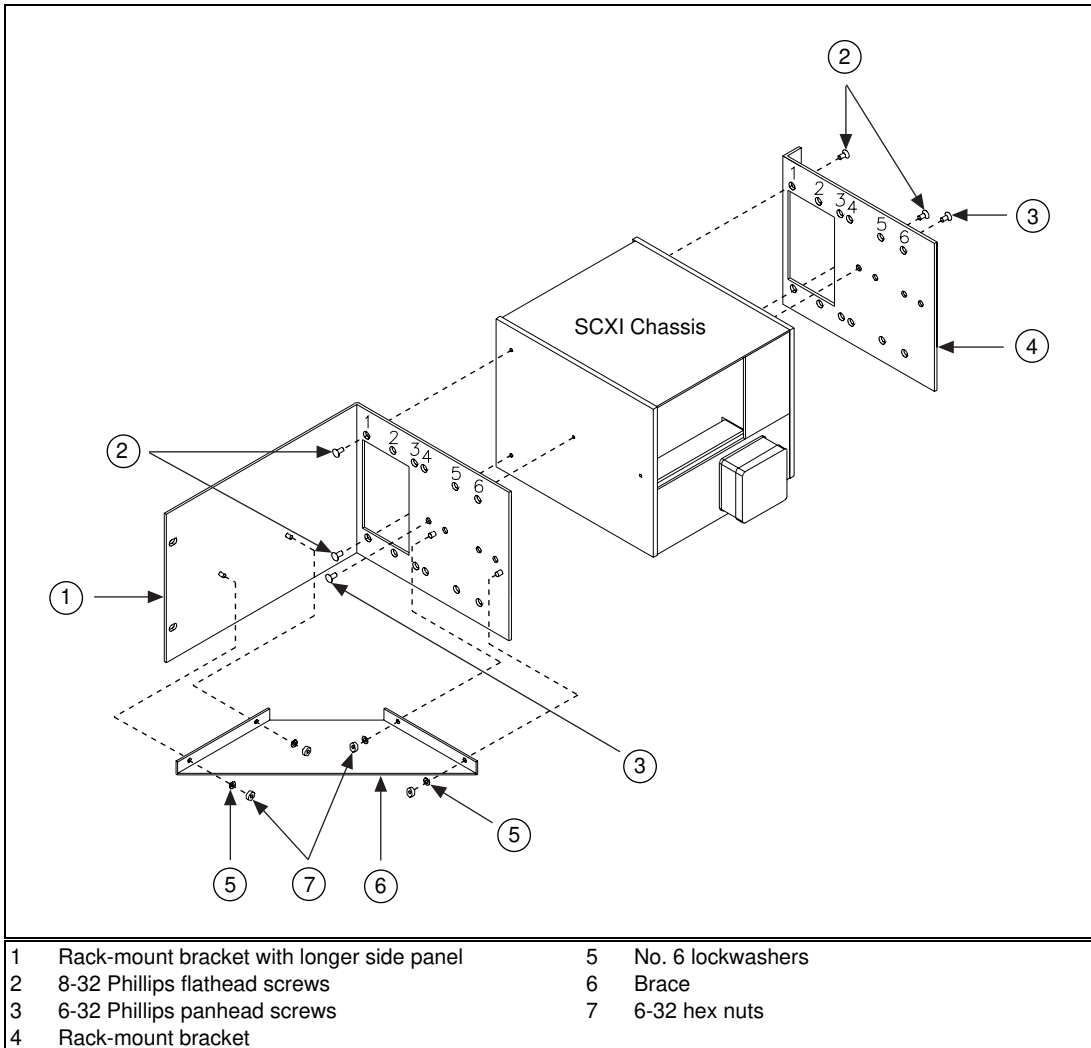


Figure 1. SCXI-1371 Rack-Mount Kit Installation

1. Turn off the SCXI-1000, SCXI 1000DC, or SCXI-2000 chassis power.
2. Use the 6-32 hex nuts (item 7) and no. 6 lockwashers (item 5) to attach the brace (item 6) to the rack-mount bracket with the longer side panel (item 1).
3. Using the four 8-32 screws (item 2), attach the rack-mount brackets (items 1 and 4) to your SCXI chassis.
4. Use the two 6-32 screws (item 3) to secure the rack-mount brackets (items 1 and 4) to your SCXI chassis when they are in positions 1, 2, 3, or 4. Figure 2 shows the completed assembly.
5. Use the four 10-32 screws shown in Figure 2 to attach the assembly to your rack.

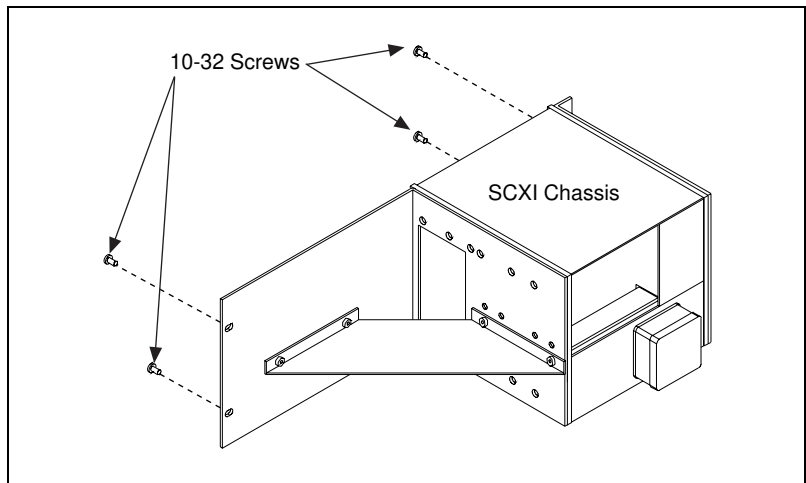


Figure 2. Attaching the Assembly to Your Rack