

## COMPREHENSIVE SERVICES

We offer competitive repair and calibration services, as well as easily accessible documentation and free downloadable resources.

## SELL YOUR SURPLUS

We buy new, used, decommissioned, and surplus parts from every NI series. We work out the best solution to suit your individual needs.

 Sell For Cash    Get Credit    Receive a Trade-In Deal

## OBSOLETE NI HARDWARE IN STOCK & READY TO SHIP

We stock **New**, **New Surplus**, **Refurbished**, and **Reconditioned** NI Hardware.



*Bridging the gap between the manufacturer and your legacy test system.*

 1-800-915-6216

 [www.apexwaves.com](http://www.apexwaves.com)

 [sales@apexwaves.com](mailto:sales@apexwaves.com)

*All trademarks, brands, and brand names are the property of their respective owners.*

**Request a Quote**

 **CLICK HERE**

**SCXI-1163R**

# NI SCXI™-1163R Specifications

## 32 Channel Solid State Relay Multiplexer

このドキュメントには、日本語ページも含まれています。

This document lists specifications for the NI SCXI-1163R multiplexer module. All specifications are subject to change without notice. Visit [ni.com/manuals](http://ni.com/manuals) for the most current specifications.

Configuration ..... Octal 4x1 multiplexers

Each multiplexer is optically isolated and composed of four independently controlled form A relays with one common pole per bank.

## Input Characteristics

---

All input characteristics are DC,  $AC_{rms}$ , or a combination unless otherwise specified.

Maximum switching voltage..... 240 V, CAT II  
(channel-to-common)



**Note** Refer to the *NI Switches Getting Started Guide* for more information on measurement categories.

Maximum working voltage..... 450 V  
(bank-to-bank and bank-to-ground)

Maximum switching current ..... 200 mA  
(per channel)

DC path resistance ..... 8  $\Omega$

Output capacitance ..... 110 pF at 50 V, 1 MHz

Maximum leakage current ..... 1  $\mu$ A  
(per channel)

# Dynamic Characteristics

---

Relay turn-on time .....1.5 ms

Relay turn-off time .....0.25 ms



**Note** Actuation commands can only be used every 2  $\mu$ s.

# Physical Characteristics

---

Relay type .....Solid state relays

I/O connector .....48-pin DIN C male

Dimensions (W  $\times$  H  $\times$  D).....3.0 cm  $\times$  17.3 cm  $\times$  19.6 cm  
(1.2 in.  $\times$  6.7 in.  $\times$  7.6 in.)

Weight .....625 g  
(1 lb 6 oz)

# Environment

Operating temperature .....0 °C to 50 °C

Storage temperature .....-40 °C to 125 °C

Relative humidity .....5% to 85% noncondensing

Pollution Degree .....2

# Compliance and Certifications

---

## Safety

This product is designed to meet the requirements of the following standards of safety for electrical equipment for measurement, control, and laboratory use:

- IEC 61010-1, EN 61010-1
- UL 3111-1, UL 61010B-1
- CAN/CSA C22.2 No. 1010.1



**Note** For UL and other safety certifications, refer to the product label or to [ni.com](http://ni.com).

# Electromagnetic Compatibility

Emissions .....	EN 55011 Class A at 10 m FCC Part 15A above 1 GHz
Immunity .....	EN 61326:1997 + A2:2001, Table 1
EMC/EMI.....	CE, C-Tick and FCC Part 15 (Class A) Compliant



**Note** For EMC compliance, you *must* operate this device with shielded cabling.

## CE Compliance

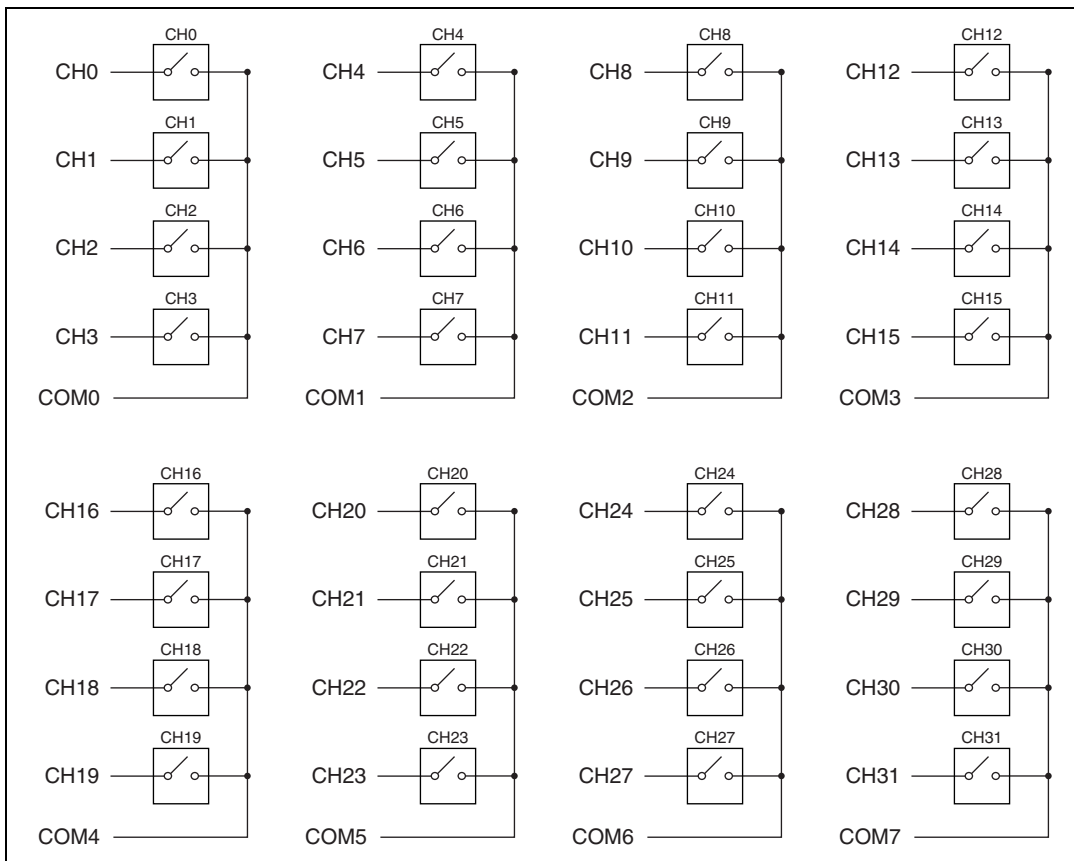
This product meets the essential requirements of applicable European Directives, as amended for CE Marking, as follows:

Low-Voltage Directive (safety) ..... 73/23/EEC

Electromagnetic Compatibility  
Directive (EMC) ..... 89/336/EEC



**Note** Refer to the Declaration of Conformity (DoC) for this product for any additional regulatory compliance information. To obtain the DoC for this product, click **Declarations of Conformity Information** at [ni.com/hardref.nsf/](http://ni.com/hardref.nsf/).



**Figure 1. NI SCXI-1163R Octal 4x1 Multiplexer Topology**

National Instruments, NI, ni.com, and LabVIEW are trademarks of National Instruments Corporation. Refer to the *Terms of Use* section on [ni.com/legal](http://ni.com/legal) for more information about National Instruments trademarks. Other product and company names mentioned herein are trademarks or trade names of their respective companies. For patents covering National Instruments products, refer to the appropriate location: **Help»Patents** in your software, the `patents.txt` file on your CD, or [ni.com/patents](http://ni.com/patents).