

COMPREHENSIVE SERVICES

We offer competitive repair and calibration services, as well as easily accessible documentation and free downloadable resources.

SELL YOUR SURPLUS

We buy new, used, decommissioned, and surplus parts from every NI series. We work out the best solution to suit your individual needs.

 Sell For Cash  Get Credit  Receive a Trade-In Deal

OBSOLETE NI HARDWARE IN STOCK & READY TO SHIP

We stock **New**, **New Surplus**, **Refurbished**, and **Reconditioned** NI Hardware.



Bridging the gap between the manufacturer and your legacy test system.

 1-800-915-6216

 www.apexwaves.com

 sales@apexwaves.com

All trademarks, brands, and brand names are the property of their respective owners.

Request a Quote

 **CLICK HERE**

SCXI-1192

SCXI-1362 ADAPTER KIT

This guide explains how to unpack, install, and clean the SCXI-1362 adapter kit. With the SCXI-1362 adapter kit, you can connect the NI 4021 or NI 4060 to the following switch modules: SCXI-1160, SCXI-1161, SCXI-1163R, SCXI-1190, SCXI-1191, or SCXI-1192.

The following connections are possible using the SCXI-1362 kit:

- Use the SH9MD-AUX cable to connect the digital communication signals from the NI 4021 or NI 4060 to the AUX IN connector of the SCXI-1362.
- In SCXI multichassis configurations, use a SH9MD-AUX cable to extend the digital communication signals to the next SCXI chassis.



Note The maximum total cable length from the NI 4021 or NI 4060 to the farthest chassis should not exceed 10 meters.

Checking The SCXI-1362 Adapter Kit Contents

Make sure the SCXI-1362 kit includes the following components:

- One SCXI-1362 adapter
- One SH9MD-AUX cable (round, 9-pin DIN connector)
- Two small screws



Note If you ordered only the SCXI-1362 adapter, the kit should include the backplane adapter but no cables.

You must provide the following:

- SCXI chassis
- SCXI-1160, SCXI-1161, SCXI-1163R, SCXI-1190, SCXI-1191, and/or SCXI-1192

SCXI controller (NI 4021 or NI 4060)

1/8 in. Phillips screwdriver

Unpacking

The SCXI-1362 is shipped in an antistatic package to prevent electrostatic damage to the device. Electrostatic discharge can damage several components on the device.



Caution *Never* touch the exposed pins of connectors.

To avoid such damage in handling the device, take the following precautions:

- Ground yourself using a grounding strap or by holding a grounded object.
- Touch the antistatic package to a metal part of your computer chassis before removing the device from the package.

Remove the device from the package and inspect the device for loose components or any sign of damage. Notify National Instruments if the device appears damaged in any way. Do *not* install a damaged device into your computer.

Store the SCXI-1362 in the antistatic envelope when not in use.

Safety Information



Cautions To meet EMC/EMI cooling and safety compliance requirements, the SCXI-1362 device must be installed in a chassis with the covers and chassis filler panels properly installed.

Do *not* operate the device in an explosive atmosphere or where there may be flammable gases or fumes.

Do *not* operate damaged equipment. The safety protection features built into this device can become impaired if the device becomes damaged in any way. If the device is damaged, turn the device off and do *not* use it until service-trained personnel can check its safety. If necessary, return the device to National Instruments for service and repair to ensure that its safety is not compromised.

Do *not* operate this equipment in a manner that contradicts the information specified in this document. Misuse of this equipment could result in a shock hazard.

Do *not* substitute parts or modify equipment. Because of the danger of introducing additional hazards, do *not* install unauthorized parts or modify the device. Return the device to National Instruments for service and repair to ensure that its safety features are not compromised.

You *must* insulate all of the signal connections to the highest voltage with which the SCXI-1362 can come in contact.

Connections, including power signals to ground and vice versa, that exceed any of the maximum signal ratings on the SCXI device can create a shock or fire hazard, or can damage any or all of the boards connected to the SCXI chassis, the host computer, and the SCXI device. National Instruments is *not* liable for any damages or injuries resulting from incorrect signal connections.

Clean the module and accessories by brushing off light dust with a soft non-metallic brush. Remove other contaminants with a stiff non-metallic brush. The unit *must* be completely dry and free from contaminants before returning it to service.

The adapter *must* be used with a UL-listed SCXI chassis.

Installing the SCXI-1362 Adapter Kit

Refer to Figure 1 when installing the SCXI-1362 adapter kit. To install the SCXI-1362 kit, complete the following:

1. Power off the computer and SCXI chassis.
2. Install the SCXI modules in the SCXI chassis following the instructions in the module user manuals. When installed, the back of the SCXI module is not flush with the back of the SCXI chassis.
3. Install the SCXI-1362 adapter through the chassis into the rear of the SCXI module. When installed, the SCXI-1362 adapter is flush with the back of the SCXI chassis. Refer to Figure 1.
4. Using the two screws included in the kit, secure the SCXI-1362 adapter into the threaded strips in the rear of the SCXI chassis.
5. Connect one end of the SH9MD-AUX cable to the AUX IN connector of the SCXI-1362 adapter.
6. Connect the other end of the cable to the AUX I/O connector of the switch controller.

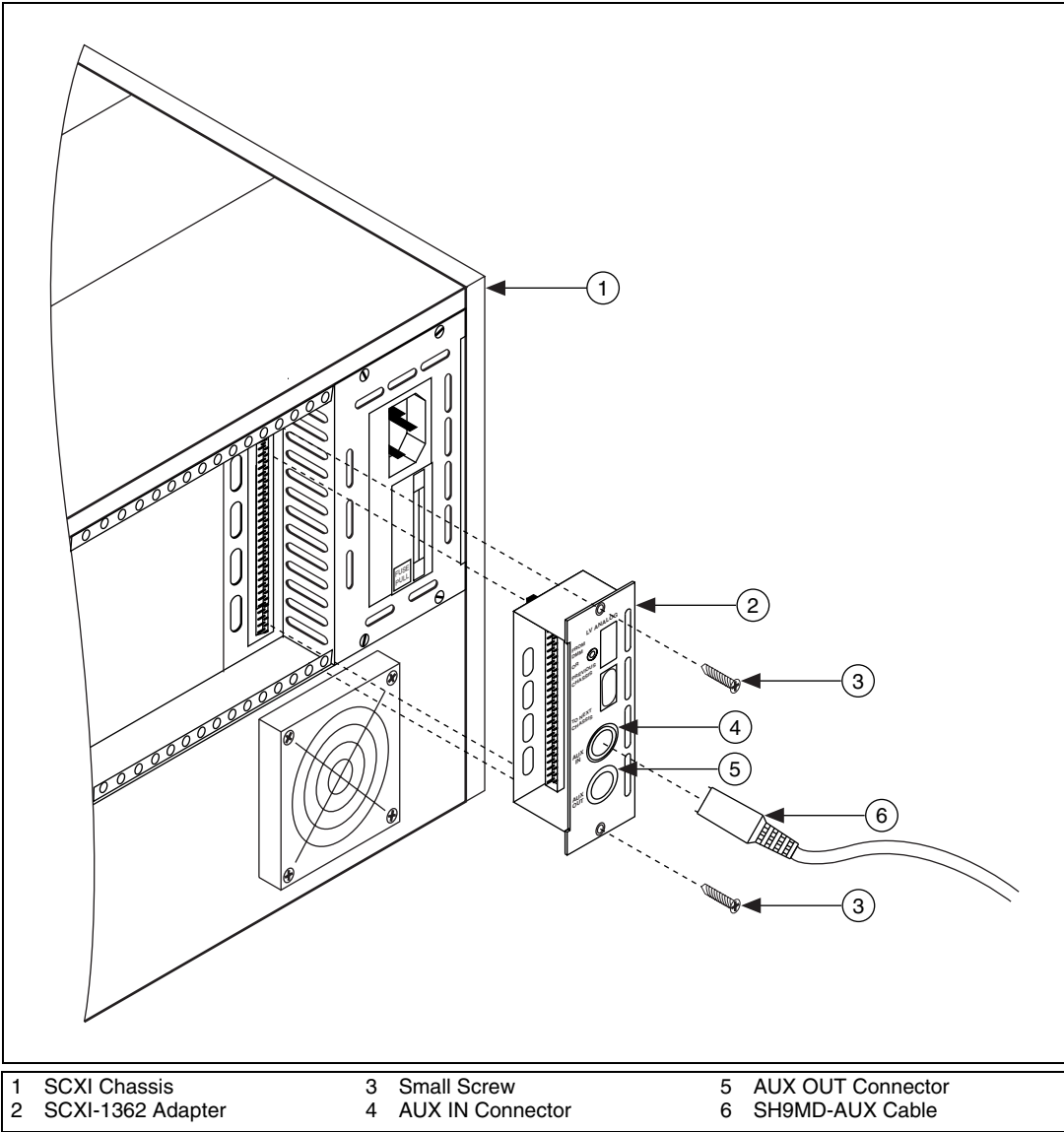


Figure 1. Installing the SCXI-1362 Kit

Installing the SCXI-1362 in a Multichassis System

Refer to Figure 2 when installing the SCXI-1362 adapter kit in a multichassis system. To install the SCXI-1362 adapter kit in a multichassis system, complete the following:

1. Repeat steps 1 through 5 of the *Installing the SCXI-1362 Adapter Kit* section.
2. Connect the other end of the SH9MD-AUX cable to the AUX OUT connector of the previously installed SCXI-1362 adapter.
3. Repeat steps 1 and 2 for any additional SCXI-1362 adapter kits.

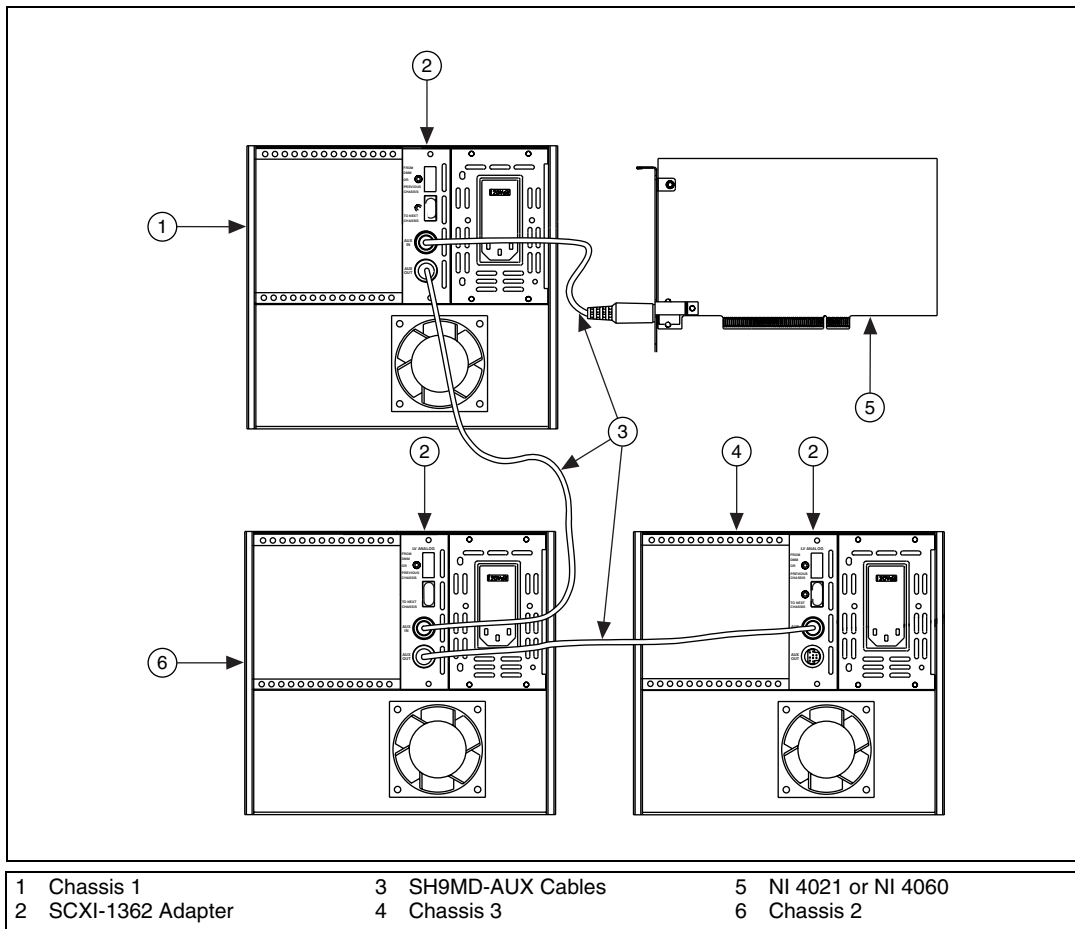


Figure 2. Installing SCXI-1362s in a Multichassis System

Safety

Designed in accordance with IEC 61010-1, EN 61010-1, UL 3111-1, and CAN/CSA C22.2 No. 1010.1 for electrical measuring and test equipment.

For use at altitudes up to 2000 meters.

Installation category II¹

Pollution degree 2

Electromagnetic Compatibility

EMC/EMICE, C-Tick, and FCC Part 15
(Class A) Compliant

Electrical emissionsEN 55011 Class A at 10 m
FCC Part 15A above 1 GHz

Electrical immunityEvaluated to EN 61326-1:1997
A1:1998, Table 1



Note For full EMC and EMI compliance, you *must* operate this device with shielded cabling. See the Declaration of Conformity (DoC) for this product for any additional regulatory compliance information. To obtain the DoC for this product, click **Declaration of Conformity** at ni.com/hardref.nsf/. This Web site lists the DoCs by product family. Select the appropriate product family, followed by your product, and a link to the DoC (in Adobe Acrobat format) appears. Click the Acrobat icon to download or read the DoC.

¹ Category II refers to local level distribution, such as that provided by a standard wall outlet.