

COMPREHENSIVE SERVICES

We offer competitive repair and calibration services, as well as easily accessible documentation and free downloadable resources.

SELL YOUR SURPLUS

We buy new, used, decommissioned, and surplus parts from every NI series. We work out the best solution to suit your individual needs.

 Sell For Cash  Get Credit  Receive a Trade-In Deal

OBSOLETE NI HARDWARE IN STOCK & READY TO SHIP

We stock **New**, **New Surplus**, **Refurbished**, and **Reconditioned** NI Hardware.



Bridging the gap between the manufacturer and your legacy test system.

 1-800-915-6216

 www.apexwaves.com

 sales@apexwaves.com

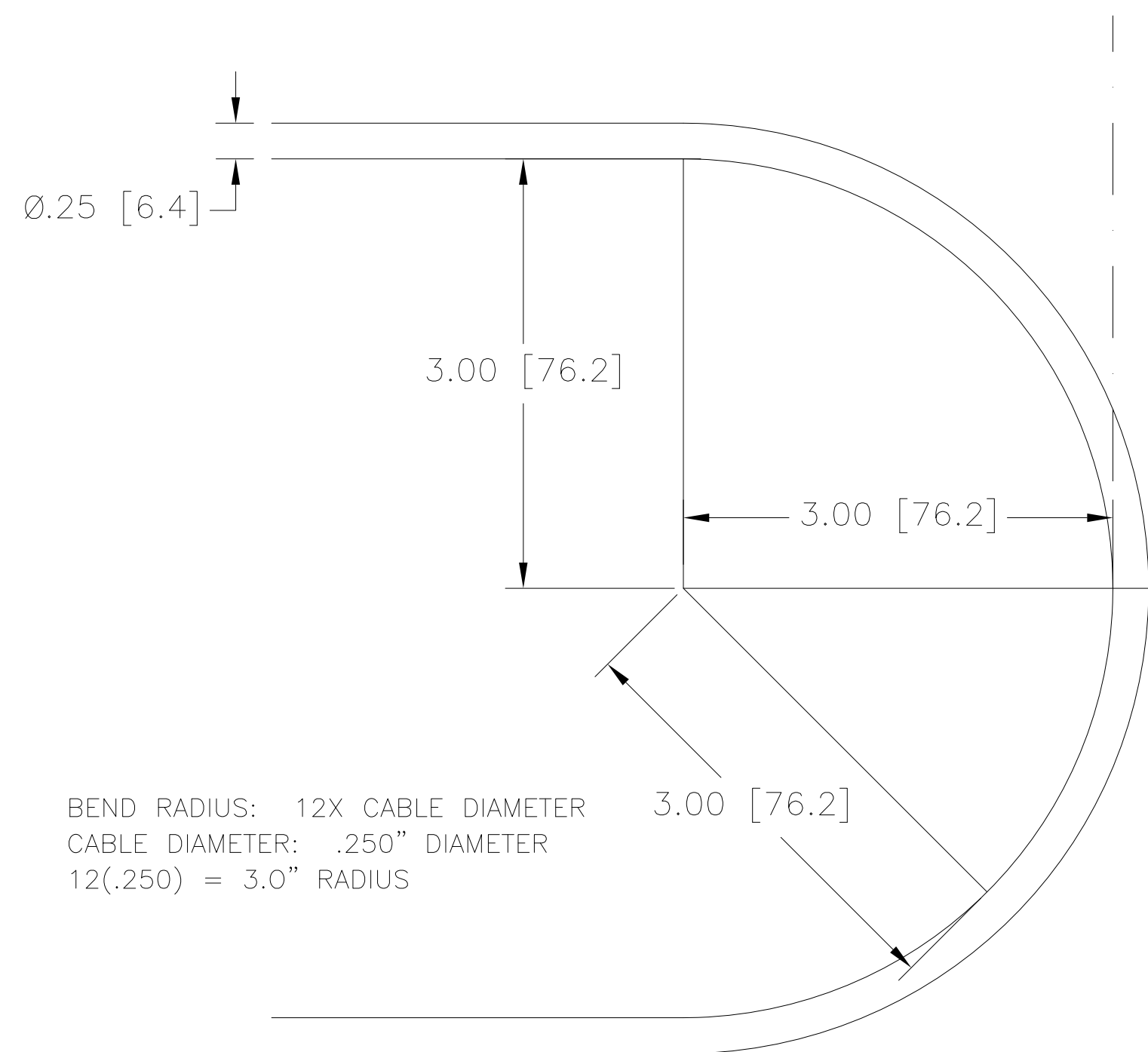
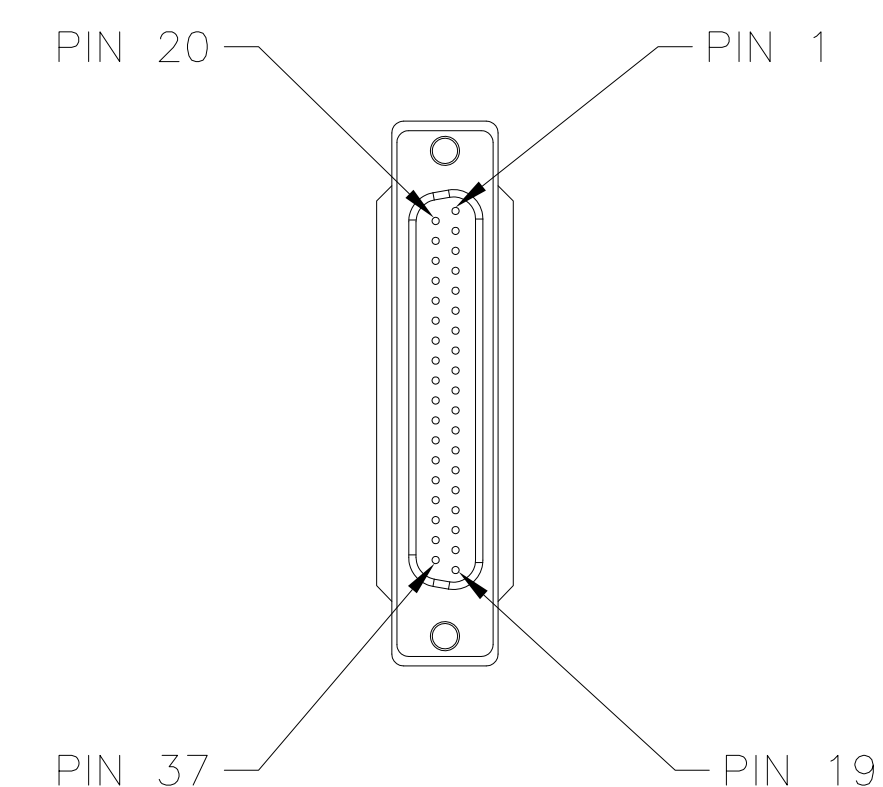
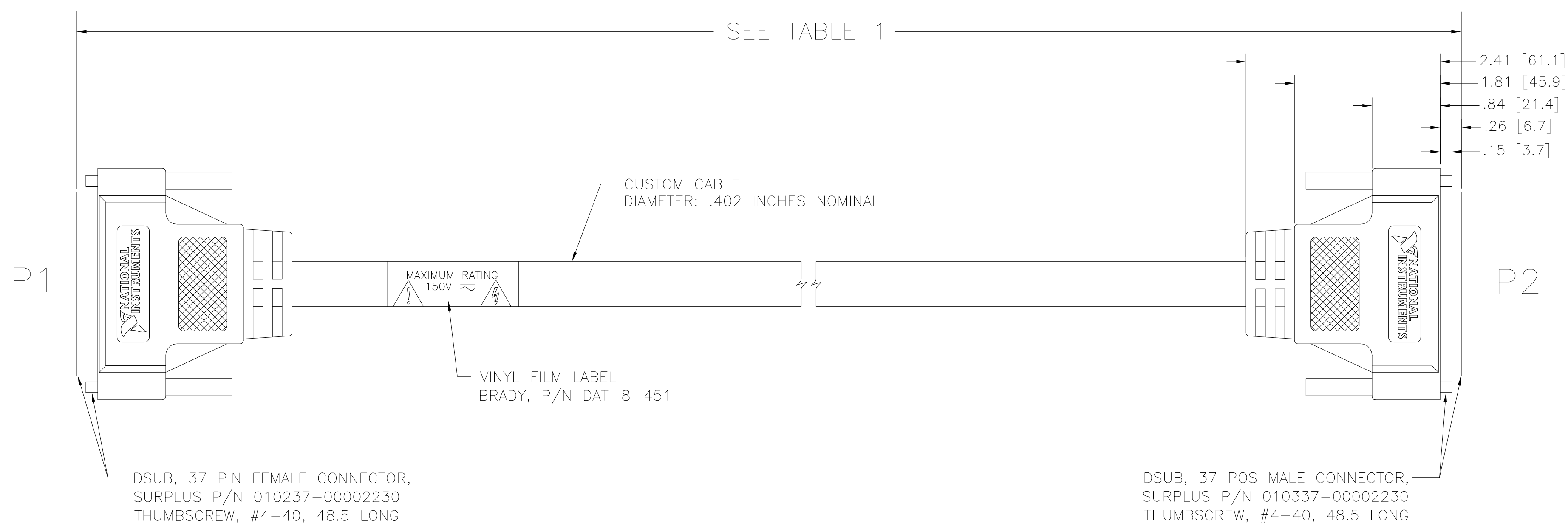
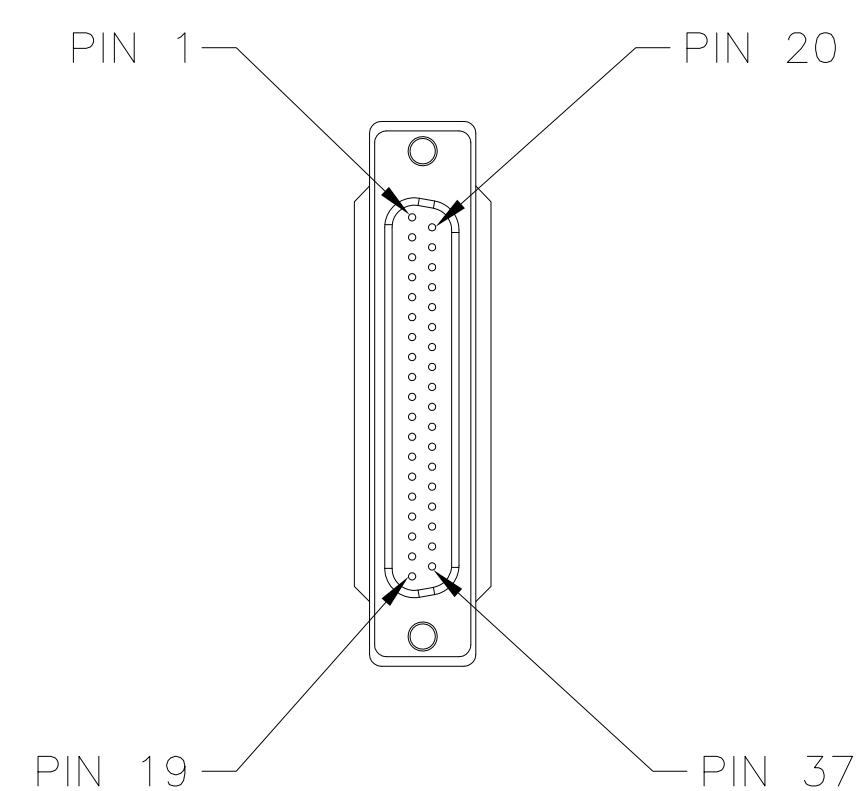
All trademarks, brands, and brand names are the property of their respective owners.

Request a Quote

 **CLICK HERE**

SH37F-37M

CUSTOMER DRAWING COMPATIBILITY			
REV	DESCRIPTION	DATE	APPROVED
A	DRAWING COMPATIBLE, OBSOLETE		
B	DRAWING COMPATIBLE, RELEASED		



BEND RADIUS EXAMPLE

WIRE LIST		
P1	MAIN COLOR/LINE COLOR	P2
1	BLACK	1
2	BROWN	2
3	RED	3
4	ORANGE	4
5	YELLOW	5
6	GREEN	6
7	BLUE	7
8	PURPLE	8
9	GRAY	9
10	WHITE	10
11	PINK	11
12	LIGHT GREEN	12
13	BLACK/WHITE	13
14	BROWN/WHITE	14
15	RED/WHITE	15
16	ORANGE/WHITE	16
17	GREEN/WHITE	17
18	BLUE/WHITE	18
19	PURPLE/WHITE	19
20	RED/BLACK	20
21	ORANGE/BLACK	21
22	YELLOW/BLACK	22
23	GREEN/BLACK	23
24	GRAY/BLACK	24

WIRE LIST CONT.		
P1	MAIN COLOR/LINE COLOR	P2
25	PINK/BLACK	25
26	PINK/RED	26
27	PINK/BLUE	27
28	PINK/GREEN	28
29	LIGHT BLUE	29
30	LIGHT BLUE/BLACK	30
31	LIGHT BLUE/RED	31
32	LIGHT BLUE/BLUE	32
33	LIGHT BLUE/GREEN	33
34	GRAY/RED	34
35	GRAY/GREEN	35
36	PURPLE/BLACK	36
37	BLUE/BLACK	37
SHELL	BRAID	SHELL

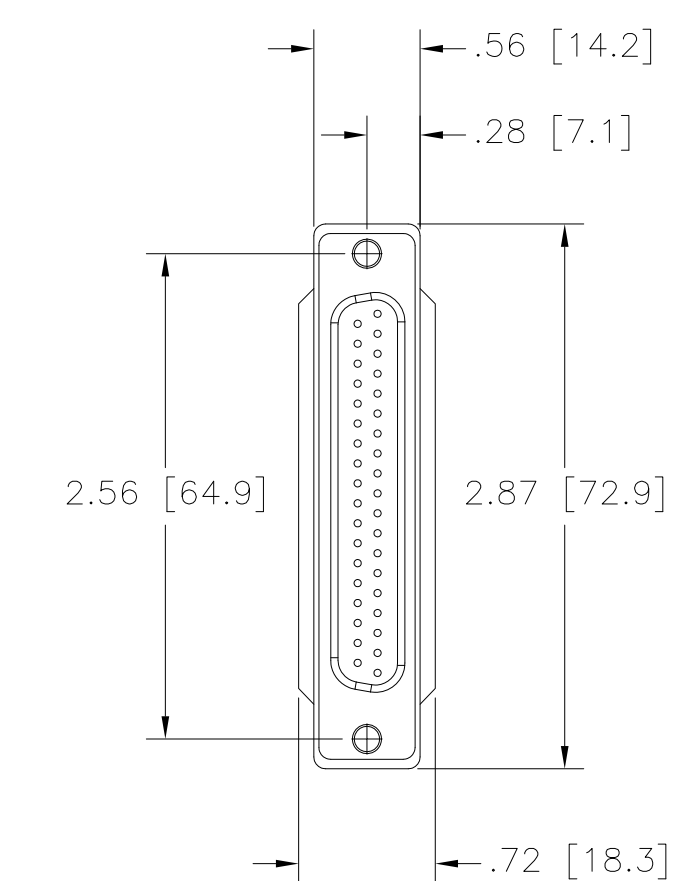


TABLE 1	
LENGTH	TOLERANCE
<2M	+5 CM/-0 CM
2 TO 5M	+10 CM/-0 CM
>5M	+15 CM/-0 CM

CONDUCTOR SPECIFICATIONS:

CONDUCTOR: 26AWG 7/34 TIN PLATED COPPER, .015 INCH DIAMETER
INSULATION: .009 INCHES OF SR-PVC, .039 INCH DIAMETER

BEND RADIUS: 12X CABLE DIAMETER (SEE EXAMPLE) PER SPECIFICATIONS
2014 NEC SECTION 300.34 CONDUCTOR BEND RADIUS
2014 NEC SECTION 300.24 BENDING RADIUS

1. REFER TO PRODUCT MANUAL ON NI.COM FOR MORE DETAILS.

NOTES: UNLESS OTHERWISE SPECIFIED.

CUSTOMER DRAWING

UNLESS OTHERWISE SPECIFIED DIMENSIONS ARE IN INCHES AND [MILLIMETERS]	NATIONAL INSTRUMENTS® AUSTIN, TEXAS
DO NOT SCALE DRAWING THIRD ANGLE PROJECTION	SIZE CODE IDENT NO. DRAWING NO. D 7U296 09/19/16 SCALE: 1/1 SHEET 1 OF 1