

COMPREHENSIVE SERVICES

We offer competitive repair and calibration services, as well as easily accessible documentation and free downloadable resources.

SELL YOUR SURPLUS

We buy new, used, decommissioned, and surplus parts from every NI series. We work out the best solution to suit your individual needs.

 Sell For Cash  Get Credit  Receive a Trade-In Deal

OBSOLETE NI HARDWARE IN STOCK & READY TO SHIP

We stock **New**, **New Surplus**, **Refurbished**, and **Reconditioned** NI Hardware.



Bridging the gap between the manufacturer and your legacy test system.

 1-800-915-6216

 www.apexwaves.com

 sales@apexwaves.com

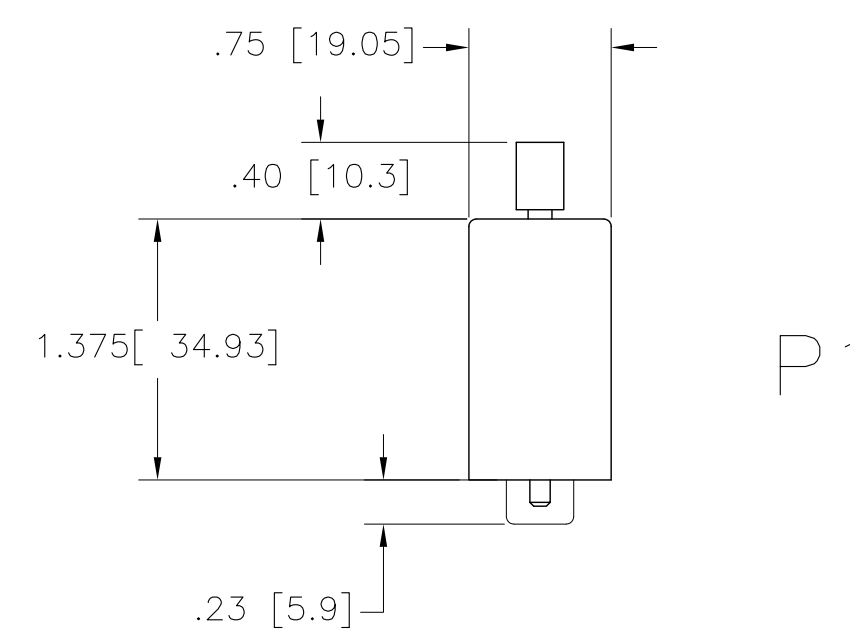
All trademarks, brands, and brand names are the property of their respective owners.

Request a Quote

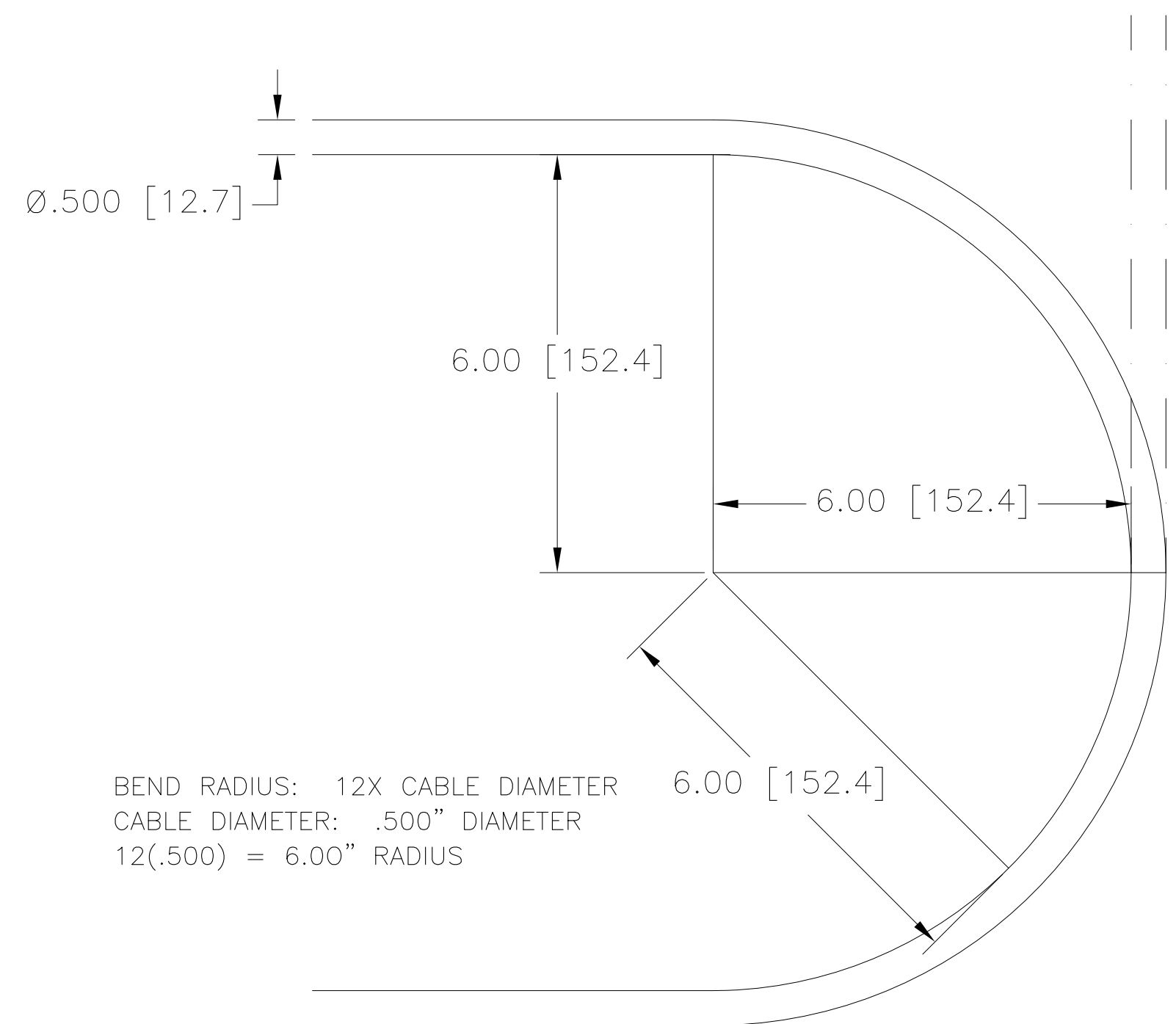
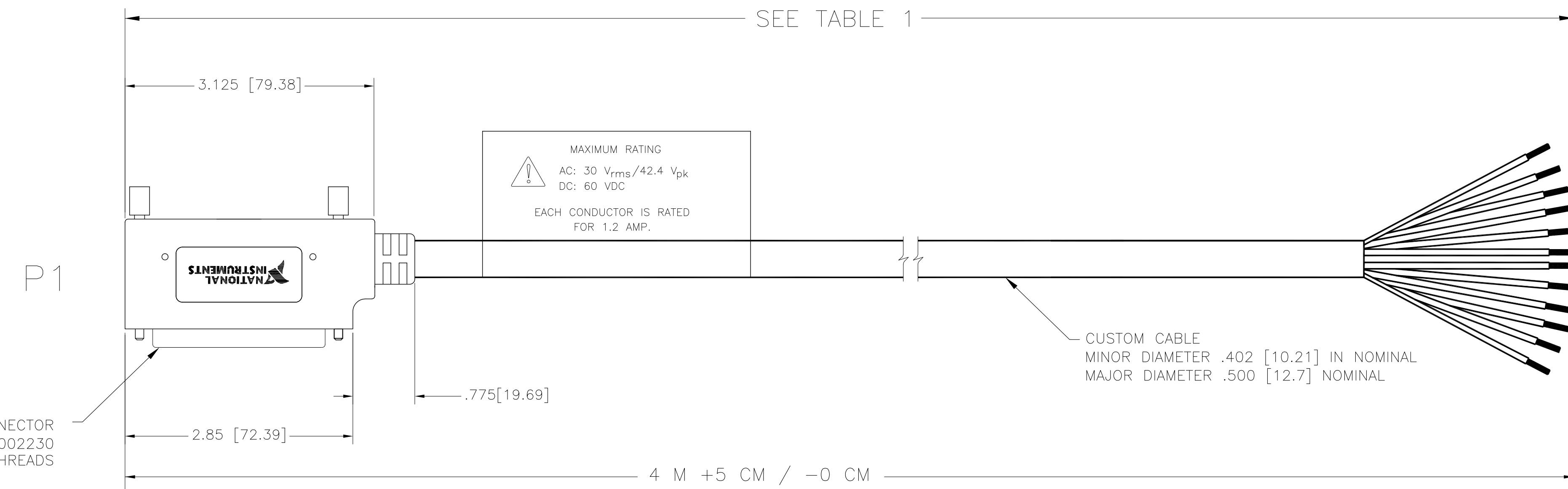
 **CLICK HERE**

SH37F-P-4

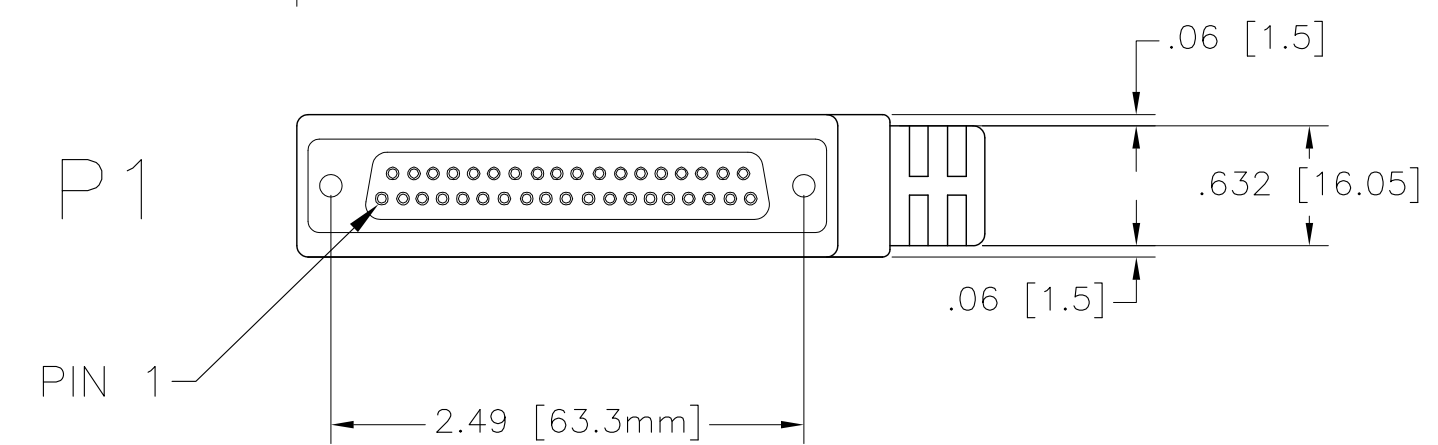
CUSTOMER DRAWING COMPATIBILITY			
REV	DESCRIPTION	DATE	APPROVED
A	DRAWING COMPATIBLE, RELEASED		



37PIN FEMALE DSUB HIGH VOLTAGE CONNECTOR
SURPLUS ELECTRONIC TECH P/N 010237-0002230
2X JACKSCREWS WITH 4-40 THREADS



BEND RADIUS EXAMPLE



WIRE LIST		
P1	MAIN COLOR/LINE COLOR	OPEN END
1	BLACK	1
2	BROWN	2
3	RED	3
4	ORANGE	4
5	YELLOW	5
6	GREEN	6
7	BLUE	7
8	PURPLE	8
9	GRAY	9
10	WHITE	10
11	PINK	11
12	LIGHT GREEN	12
13	BLACK/WHITE	13
14	BROWN/WHITE	14
15	RED/WHITE	15
16	ORANGE/WHITE	16
17	GREEN/WHITE	17
18	BLUE/WHITE	18
19	PURPLE/WHITE	19
20	RED/BLACK	20
21	ORANGE/BLACK	21
22	YELLOW/BLACK	22
23	GREEN/BLACK	23
24	GRAY/BLACK	24

WIRE LIST CONT.		
P1	MAIN COLOR/LINE COLOR	OPEN END
25	PINK/BLACK	25
26	PINK/RED	26
27	PINK/BLUE	27
28	PINK/GREEN	28
29	LIGHT BLUE	29
30	LIGHT BLUE/BLACK	30
31	LIGHT BLUE/RED	31
32	LIGHT BLUE/BLUE	32
33	LIGHT BLUE/GREEN	33
34	GRAY/RED	34
35	GRAY/GREEN	35
36	PURPLE/BLACK	36
37	BLUE/BLACK	37
SHELL	BRAID	SHELL

TABLE 1	
LENGTH	TOLERANCE
<2M	+5 CM/-0 CM
2 TO 5M	+10 CM/-0 CM
>5M	+15 CM/-0 CM

CONDUCTOR SPECIFICATIONS:
 CONDUCTOR: 26AWG 7/34 TIN PLATED COPPER, .015 INCH DIAMETER
 INSULATION: .009 INCHES OF SR-PVC, .039 INCH DIAMETER
 BEND RADIUS: 12X CABLE DIAMETER (SEE EXAMPLE) PER SPECIFICATIONS
 2014 NEC SECTION 300.34 CONDUCTOR BEND RADIUS
 2014 NEC SECTION 300.24 BENDING RADIUS
 1. REFER TO PRODUCT MANUAL ON NI.COM FOR MORE DETAILS.
 NOTES: UNLESS OTHERWISE SPECIFIED.

CUSTOMER DRAWING

UNLESS OTHERWISE SPECIFIED DIMENSIONS ARE IN INCHES AND [MILLIMETERS]

DO NOT SCALE DRAWING
THIRD ANGLE PROJECTION

NATIONAL INSTRUMENTS® AUSTIN, TEXAS

TITLE
DB37F-PIGTAIL

SIZE CODE IDENT NO. DRAWING NO.
D 7U296 03/14/18

SCALE: 1/1 SHEET 1 OF 1