

## COMPREHENSIVE SERVICES

We offer competitive repair and calibration services, as well as easily accessible documentation and free downloadable resources.

## SELL YOUR SURPLUS

We buy new, used, decommissioned, and surplus parts from every NI series. We work out the best solution to suit your individual needs.

 Sell For Cash  Get Credit  Receive a Trade-In Deal

## OBSOLETE NI HARDWARE IN STOCK & READY TO SHIP

We stock **New**, **New Surplus**, **Refurbished**, and **Reconditioned** NI Hardware.



*Bridging the gap between the manufacturer and your legacy test system.*

 1-800-915-6216

 [www.apexwaves.com](http://www.apexwaves.com)

 [sales@apexwaves.com](mailto:sales@apexwaves.com)

*All trademarks, brands, and brand names are the property of their respective owners.*

**Request a Quote**

 **CLICK HERE**

**TB-2606**

## DEVICE SPECIFICATIONS

# NI PXI-2501

## 24-Channel FET Multiplexer/Matrix

This document lists specifications for the NI PXI-2501 (NI 2501) multiplexer/matrix module. All specifications are subject to change without notice. Visit [ni.com/manuals](http://ni.com/manuals) for the most current specifications.

## Contents

---

About These Specifications.....	1
Input Characteristics.....	2
RF Performance Characteristics.....	3
Dynamic Characteristics.....	3
Trigger Characteristics.....	4
Physical Characteristics.....	4
Environment.....	4
Shock and Vibration.....	5
Compliance and Certifications.....	5
Diagrams.....	6
Accessories.....	13

## About These Specifications

---

*Specifications* characterize the warranted performance of the instrument under the stated operating conditions.

*Typical Specifications* are specifications met by the majority of the instrument under the stated operating conditions and are tested at 23 °C ambient temperature. Typical specifications are not warranted. The following specifications are typical at 23 °C unless otherwise specified.

All voltages are specified in DC, AC<sub>pk</sub>, or a combination unless otherwise specified.

Topologies	1-wire 48 × 1 multiplexer
	2-wire 24 × 1 multiplexer
	2-wire Dual 12 × 1 multiplexers
	2-wire Quad 6 × 1 multiplexers
	4-wire 12 × 1 multiplexer
	2-wire 4 × 6 matrix

---

Refer to the *NI Switches Help* at [ni.com/manuals](http://ni.com/manuals) for detailed topology information.



**Caution** The protection provided by the NI 2501 can be impaired if it is used in a manner not described in this document.



**Note** The 1-wire  $48 \times 1$  and the 2-wire  $24 \times 1$  multiplexer topologies can enable a unity gain amplifier to reduce FET settling time. Refer to the *NI Switches Help* at [ni.com/manuals](http://ni.com/manuals) for more information about this solution and for detailed topology and pinout information.

## Input Characteristics

All input characteristics are DC, ACrms, or a combination, unless otherwise specified.

Maximum switching voltage (channel-to-ground)	$\pm 10$ VDC, 7 VAC
Overvoltage protection	
Signals CH<0..23>, COM<0..3>	
Powered on or off	$\pm 25$ VDC
Signals AB<0..1>	
Powered on	$\pm 25$ VDC
Powered off	$\pm 15$ VDC
FET switch on resistance	
Typical	50 $\Omega$
Maximum at 25 °C	85 $\Omega$
Maximum at 85 °C	100 $\Omega$
Total path resistance	
Channel-to-analog bus	
Typical	1,650 $\Omega$
Maximum	1,900 $\Omega$
Channel-to-COM	
Typical	1,900 $\Omega$
Maximum	2,150 $\Omega$
Amplified multiplexer topologies	
Offset voltage	1.5 mV
Cold-junction sensor	60 $\mu$ V
Multiplexer topologies (nonamplified)	
Offset voltage	5 $\mu$ V

## RF Performance Characteristics

Typical bandwidth (50  $\Omega$  source, 1 M $\Omega$  25 pF load)

-3 dB	400 kHz
-10 dB	1 MHz

## Dynamic Characteristics

Maximum scan rate 15,000 channels/s

Settling time (+5 V to -5 V step), measured with a 6-inch AB connector to a PXI multifunction DAQ device

0.012% accuracy

With amplifier	8.5 $\mu$ s
Without amplifier	9.0 $\mu$ s

0.006% accuracy

With amplifier	10 $\mu$ s
Without amplifier	11.5 $\mu$ s

0.0015% accuracy

With amplifier	16 $\mu$ s
Without amplifier	18 $\mu$ s

Settling time (+5 V to -5 V step), measured with a 3-meter cable to a PXI multifunction DAQ device

0.012% accuracy

With amplifier	21 $\mu$ s
Without amplifier	45 $\mu$ s

0.006% accuracy

With amplifier	30 $\mu$ s
Without amplifier	60 $\mu$ s

0.0015% accuracy

With amplifier	80 $\mu$ s
Without amplifier	160 $\mu$ s



**Note** Certain applications might require additional time for proper settling. For information about including additional settling time, refer to the *NI Switches Help* at [ni.com/manuals](http://ni.com/manuals).

# Trigger Characteristics

## Input trigger

Sources	PXI trigger lines <0...7>, front panel
Minimum pulse width	
PXI trigger lines	70 ns
Front panel	500 ns

## Output trigger

Destinations	PXI trigger lines <0...7>, front panel
Pulse width	1 $\mu$ s

# Physical Characteristics

Relay type	FET switch
I/O connector	68-pin male SCSI

## Power requirement

5 V	1.5 W, typical
12 V	0.36 W, typical
-12 V	0.36 W, typical

Dimensions (L $\times$ W $\times$ H)	3U, one slot, PXI/cPCI module 21.6 cm $\times$ 2.0 cm $\times$ 13.0 cm (8.5 in. $\times$ 0.8 in. $\times$ 5.1 in.)
--------------------------------------	--

Weight	174 g (6.1 oz)
--------	----------------

# Environment

Operating temperature	0 °C to 50 °C
Storage temperature	-20 °C to 70 °C
Relative humidity	5% to 85% noncondensing
Pollution Degree	2
Maximum altitude	2,000 m

Indoor use only.

# Shock and Vibration

Operational shock	30 g peak, half-sine, 11 ms pulse (Tested in accordance with IEC 60068-2-27. Test profile developed in accordance with MIL-PRF-28800F.)
Random vibration	
Operating	5 Hz to 500 Hz, 0.3 g <sub>rms</sub>
Nonoperating	5 Hz to 500 Hz, 2.4 g <sub>rms</sub> (Tested in accordance with IEC 60068-2-64. Nonoperating test profile exceeds the requirements of MIL-PRF-28800F, Class 3.)

## Compliance and Certifications

### Safety

This product is designed to meet the requirements of the following electrical equipment safety standards for measurement, control, and laboratory use:

- IEC 61010-1, EN 61010-1
- UL 61010-1, CSA 61010-1



**Note** For UL and other safety certifications, refer to the product label or the [Online Product Certification](#) section.

### Electromagnetic Compatibility

This product meets the requirements of the following EMC standards for electrical equipment for measurement, control, and laboratory use:

- EN 61326-1 (IEC 61326-1): Class A emissions; Basic immunity
- EN 55011 (CISPR 11): Group 1, Class A emissions
- AS/NZS CISPR 11: Group 1, Class A emissions
- FCC 47 CFR Part 15B: Class A emissions
- ICES-001: Class A emissions



**Note** In the United States (per FCC 47 CFR), Class A equipment is intended for use in commercial, light-industrial, and heavy-industrial locations. In Europe, Canada, Australia, and New Zealand (per CISPR 11), Class A equipment is intended for use only in heavy-industrial locations.



**Note** Group 1 equipment (per CISPR 11) is any industrial, scientific, or medical equipment that does not intentionally generate radio frequency energy for the treatment of material or inspection/analysis purposes.



**Note** For EMC declarations and certifications, refer to the [Online Product Certification](#) section.

## CE Compliance

This product meets the essential requirements of applicable European Directives, as follows:

- 2014/35/EU; Low-Voltage Directive (safety)
- 2014/30/EU; Electromagnetic Compatibility Directive (EMC)

## Online Product Certification

Refer to the product Declaration of Conformity (DoC) for additional regulatory compliance information. To obtain product certifications and the DoC for this product, visit [ni.com/certification](#), search by model number or product line, and click the appropriate link in the Certification column.

## Environmental Management

NI is committed to designing and manufacturing products in an environmentally responsible manner. NI recognizes that eliminating certain hazardous substances from our products is beneficial to the environment and to NI customers.

For additional environmental information, refer to the *Minimize Our Environmental Impact* web page at [ni.com/environment](#). This page contains the environmental regulations and directives with which NI complies, as well as other environmental information not included in this document.

## Waste Electrical and Electronic Equipment (WEEE)



**EU Customers** At the end of the product life cycle, all NI products must be disposed of according to local laws and regulations. For more information about how to recycle NI products in your region, visit [ni.com/environment/weee](#).

## 电子信息产品污染控制管理办法（中国 RoHS）



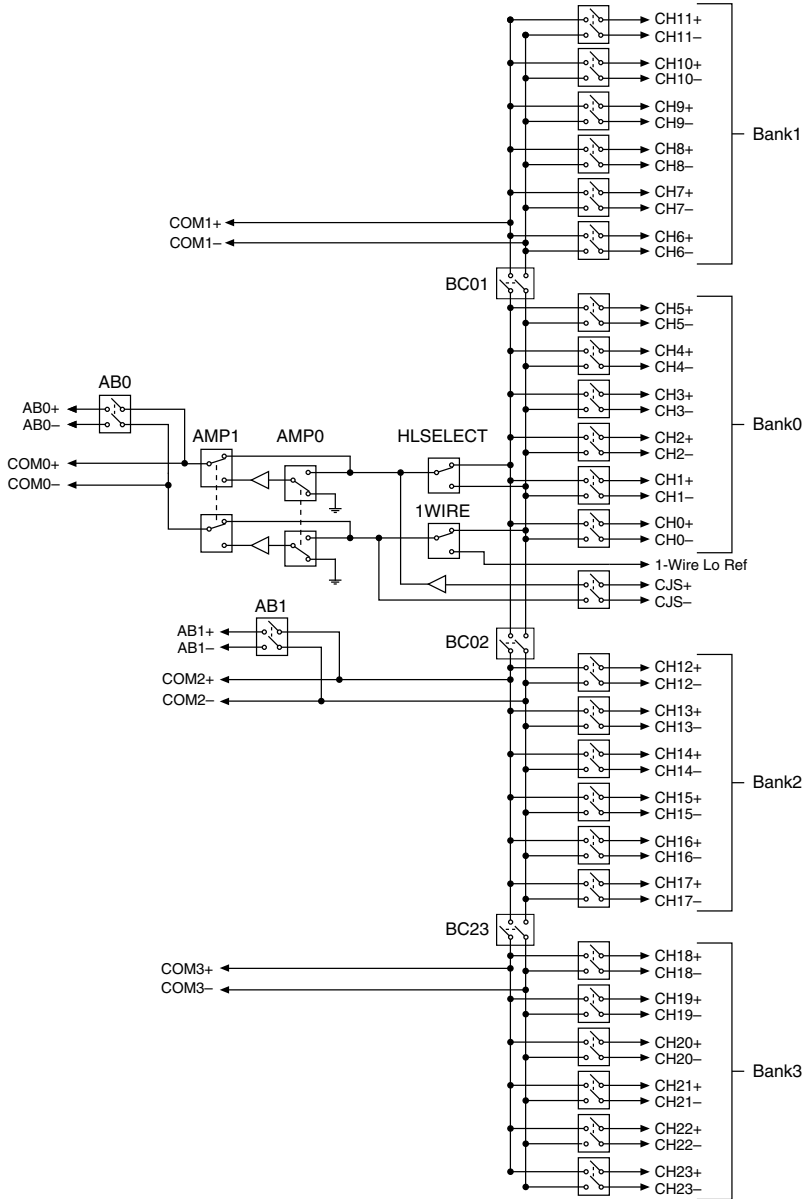
**中国客户** National Instruments 符合中国电子信息产品中限制使用某些有害物质指令 (RoHS)。关于 National Instruments 中国 RoHS 合规性信息，请登录 [ni.com/environment/rohs\\_china](#)。(For information about China RoHS compliance, go to [ni.com/environment/rohs\\_china](#).)

## Diagrams

---

Refer to the following figure for a hardware diagram of the NI 2501.

**Figure 1. NI 2501 Hardware Diagram**



Refer to the following figures for pinout diagrams of various topologies.



**Figure 2. NI 2501 1-Wire 48 × 1 Multiplexer Pinout**

CH23	35	1	CH47
CH22	36	2	CH46
CH21	37	3	CH45
CH20	38	4	CH44
CH19	39	5	CH43
CH18	40	6	CH42
EXT_TRIG_IN	41	7	GND
SCAN_ADV	42	8	RESERVED
COM3+ <sup>1</sup>	43	9	COM3- <sup>1</sup>
COM2+ <sup>1</sup>	44	10	COM2- <sup>1</sup>
CH17	45	11	CH41
CH16	46	12	CH40
CH15	47	13	CH39
CH14	48	14	CH38
CH13	49	15	CH37
CH12	50	16	CH36
AB1+ <sup>1</sup>	51	17	AB1- <sup>1</sup>
AB0+	52	18	AB0-
CH11	53	19	CH35
CH10	54	20	CH34
CH9	55	21	CH33
GND	56	22	1wireREF
CH8	57	23	CH32
CH7	58	24	CH31
CH6	59	25	CH30
COM1+ <sup>1</sup>	60	26	COM1- <sup>1</sup>
COM0+ <sup>2</sup>	61	27	COM0- <sup>3</sup>
CH5	62	28	CH29
CH4	63	29	CH28
CH3	64	30	CH27
CH2	65	31	CH26
CH1	66	32	CH25
CH0	67	33	CH24
CJS+ <sup>1</sup>	68	34	CJS- <sup>1</sup>

<sup>1</sup> not used in this topology

<sup>2</sup> connects to channels

<sup>3</sup> connects to 1wireREF

**Figure 3. NI 2501 2-Wire 24 × 1 Multiplexer Pinout**

CH23+	35	1	CH23-
CH22+	36	2	CH22-
CH21+	37	3	CH21-
CH20+	38	4	CH20-
CH19+	39	5	CH19-
CH18+	40	6	CH18-
EXT_TRIG_IN	41	7	GND
SCAN_ADV	42	8	RESERVED
COM3+	43	9	COM3-
COM2+	44	10	COM2-
CH17+	45	11	CH17-
CH16+	46	12	CH16-
CH15+	47	13	CH15-
CH14+	48	14	CH14-
CH13+	49	15	CH13-
CH12+	50	16	CH12-
AB1+	51	17	AB1-
AB0+	52	18	AB0-
CH11+	53	19	CH11-
CH10+	54	20	CH10-
CH9+	55	21	CH9-
GND	56	22	1_WIRE_LO_REF <sup>1</sup>
CH8+	57	23	CH8-
CH7+	58	24	CH7-
CH6+	59	25	CH6-
COM1+ <sup>1</sup>	60	26	COM1- <sup>1</sup>
COM0+	61	27	COM0-
CH5+	62	28	CH5-
CH4+	63	29	CH4-
CH3+	64	30	CH3-
CH2+	65	31	CH2-
CH1+	66	32	CH1-
CH0+	67	33	CH0-
CJS0+	68	34	CJS0-

<sup>1</sup>not used in two-wire mode

**Figure 4. NI 2501 2-Wire Dual 12 × 1 Multiplexer Pinout**

CH23+	35	1	CH23-
CH22+	36	2	CH22-
CH21+	37	3	CH21-
CH20+	38	4	CH20-
CH19+	39	5	CH19-
CH18+	40	6	CH18-
EXT_TRIG_IN	41	7	GND
SCAN_ADV	42	8	RESERVED
COM3+	43	9	COM3-
COM2+	44	10	COM2-
CH17+	45	11	CH17-
CH16+	46	12	CH16-
CH15+	47	13	CH15-
CH14+	48	14	CH14-
CH13+	49	15	CH13-
CH12+	50	16	CH12-
AB1+	51	17	AB1-
AB0+	52	18	AB0-
CH11+	53	19	CH11-
CH10+	54	20	CH10-
CH9+	55	21	CH9-
GND	56	22	1_WIRE_LO_REF <sup>1</sup>
CH8+	57	23	CH8-
CH7+	58	24	CH7-
CH6+	59	25	CH6-
COM1+ <sup>1</sup>	60	26	COM1- <sup>1</sup>
COM0+	61	27	COM0-
CH5+	62	28	CH5-
CH4+	63	29	CH4-
CH3+	64	30	CH3-
CH2+	65	31	CH2-
CH1+	66	32	CH1-
CH0+	67	33	CH0-
CJS0+	68	34	CJS0-

<sup>1</sup>not used in two-wire mode

**Figure 5. NI 2501 2-Wire Quad 6 × 1 Multiplexer Pinout**

CH23+	35	1	CH23-
CH22+	36	2	CH22-
CH21+	37	3	CH21-
CH20+	38	4	CH20-
CH19+	39	5	CH19-
CH18+	40	6	CH18-
EXT_TRIG_IN	41	7	GND
SCAN_ADV	42	8	RESERVED
COM3+	43	9	COM3-
COM2+	44	10	COM2-
CH17+	45	11	CH17-
CH16+	46	12	CH16-
CH15+	47	13	CH15-
CH14+	48	14	CH14-
CH13+	49	15	CH13-
CH12+	50	16	CH12-
AB1+	51	17	AB1-
AB0+	52	18	AB0-
CH11+	53	19	CH11-
CH10+	54	20	CH10-
CH9+	55	21	CH9-
GND	56	22	1_WIRE_LO_REF <sup>1</sup>
CH8+	57	23	CH8-
CH7+	58	24	CH7-
CH6+	59	25	CH6-
COM1+	60	26	COM1-
COM0+	61	27	COM0-
CH5+	62	28	CH5-
CH4+	63	29	CH4-
CH3+	64	30	CH3-
CH2+	65	31	CH2-
CH1+	66	32	CH1-
CH0+	67	33	CH0-
CJS0+	68	34	CJS0-

<sup>1</sup>not used in two-wire mode

**Figure 6. NI 2501 4-Wire 12 × 1 Multiplexer Pinout**

CH11B+	35	1	CH11B-
CH10B+	36	2	CH10B-
CH9B+	37	3	CH9B-
CH8B+	38	4	CH8B-
CH7B+	39	5	CH7B-
CH6B+	40	6	CH6B-
EXT_TRIG_IN	41	7	GND
SCAN_ADV	42	8	RESERVED
COM1B+	43	9	COM1B-
COM0B+	44	10	COM0B-
CH5B+	45	11	CH5B-
CH4B+	46	12	CH4B-
CH3B+	47	13	CH3B-
CH2B+	48	14	CH2B-
CH1B+	49	15	CH1B-
CH0B+	50	16	CH0B-
AB0B+	51	17	AB0B-
AB0A+	52	18	AB0A-
CH11A+	53	19	CH11A-
CH10A+	54	20	CH10A-
CH9A+	55	21	CH9A-
GND	56	22	1_WIRE_LO_REF <sup>1</sup>
CH8A+	57	23	CH8A-
CH7A+	58	24	CH7A-
CH6A+	59	25	CH6A-
COM1A+	60	26	COM1A-
COM0A+	61	27	COM0A-
CH5A+	62	28	CH5A-
CH4A+	63	29	CH4A-
CH3A+	64	30	CH3A-
CH2A+	65	31	CH2A-
CH1A+	66	32	CH1A-
CH0A+	67	33	CH0A-
CJS+ <sup>1</sup>	68	34	CJS- <sup>1</sup>

<sup>1</sup>not used in four-wire mode

**Figure 7. NI 2501 2-Wire 4 × 6 Matrix Pinout**

COL5+	35	1	COL5-
COL4+	36	2	COL4-
COL3+	37	3	COL3-
COL2+	38	4	COL2-
COL1+	39	5	COL1-
COL0+	40	6	COL0-
EXT_TRIG_IN	41	7	GND
SCAN_ADV	42	8	RESERVED
ROW3+	43	9	ROW3-
ROW2+	44	10	ROW2-
COL5+	45	11	COL5-
COL4+	46	12	COL4-
COL3+	47	13	COL3-
COL2+	48	14	COL2-
COL1+	49	15	COL1-
COL0+	50	16	COL0-
AB1+ (ROW2+)	51	17	AB1- (ROW2-)
AB0+ (ROW0+)	52	18	AB0- (ROW0-)
COL5+	53	19	COL5-
COL4+	54	20	COL4-
COL3+	55	21	COL3-
GND	56	22	1_WIRE_LO_REF <sup>1</sup>
COL2+	57	23	COL2-
COL1+	58	24	COL1-
COL0+	59	25	COL0-
ROW1+	60	26	ROW1-
ROW0+	61	27	ROW0-
COL5+	62	28	COL5-
COL4+	63	29	COL4-
COL3+	64	30	COL3-
COL2+	65	31	COL2-
COL1+	66	32	COL1-
COL0+	67	33	COL0-
CJS+ <sup>1</sup>	68	34	CJS- <sup>1</sup>

<sup>1</sup>not used in matrix mode

## Accessories

Visit [ni.com](https://ni.com) for more information about the following accessories.



**Caution** You must install mating connectors according to local safety codes and standards and according to the specifications provided by the manufacturer. You are responsible for verifying the safety compliance of third-party connectors and their

usage according to the relevant standard(s), including UL and CSA in North America and IEC and VDE in Europe.



**Caution** To ensure the specified EMC performance, operate this product only with shielded cables and accessories. Do not use unshielded cables or accessories unless they are installed in a shielded enclosure with properly designed and shielded input/output ports and connected to the product using a shielded cable. If unshielded cables or accessories are not properly installed and shielded, the EMC specifications for the product are no longer guaranteed.

**Table 1.** Accessories Available for the NI 2501

Accessory	Part Number
NI TB-2605 multiplexer terminal block (1-wire 48 × 1 multiplexer) (2-wire 24 × 1 multiplexer) (2-wire dual 12 × 1 multiplexers) (2-wire quad 6 × 1 multiplexers) (4-wire 12 × 1 multiplexer)	777878-01
NI TB-2606 matrix terminal block (2-wire 4 × 6 matrix)	777879-01
TBX-68S terminal block with cold-junction sensor	777716-01
CB-68LP 68-pin unshielded I/O connector block	777145-01
SH68-68S shielded cable, 1 m	185262-01
SH68-68S shielded cable, 2 m	185262-02
SH68-68S shielded cable, 5 m	185262-05

Refer to the *NI Trademarks and Logo Guidelines* at [ni.com/trademarks](http://ni.com/trademarks) for information on NI trademarks. Other product and company names mentioned herein are trademarks or trade names of their respective companies. For patents covering NI products/technology, refer to the appropriate location: **Help»Patents** in your software, the `patents.txt` file on your media, or the *National Instruments Patent Notice* at [ni.com/patents](http://ni.com/patents). You can find information about end-user license agreements (EULAs) and third-party legal notices in the readme file for your NI product. Refer to the *Export Compliance Information* at [ni.com/legal/export-compliance](http://ni.com/legal/export-compliance) for the NI global trade compliance policy and how to obtain relevant HTS codes, ECCNs, and other import/export data. NI MAKES NO EXPRESS OR IMPLIED WARRANTIES AS TO THE ACCURACY OF THE INFORMATION CONTAINED HEREIN AND SHALL NOT BE LIABLE FOR ANY ERRORS. U.S. Government Customers: The data contained in this manual was developed at private expense and is subject to the applicable limited rights and restricted data rights as set forth in FAR 52.227-14, DFAR 252.227-7014, and DFAR 252.227-7015.

# NI PXI-2501

## 24 チャンネル FET マルチプレクサ/マトリクス

このドキュメントには、NI PXI-2501 (NI 2501) マルチプレクサ/マトリクスモジュールの仕様が記載されています。すべての仕様は事前の通知なしに変更されることがあります。最新の仕様については、[ni.com/manuals](http://ni.com/manuals) を参照してください。

## 目次

---

仕様値について.....	1
入力特性.....	2
RF 性能特性.....	3
動特性.....	3
トリガ特性.....	4
物理特性.....	4
環境.....	5
耐衝撃/振動.....	5
認可および準拠.....	5
図.....	7
アクセサリ.....	14

## 仕様値について

---

「仕様」は、記載された動作条件下で保証される計測器の性能を示します。

「標準仕様」は、記載された動作条件下で大多数の計測器が満たす仕様を示し、23°Cで検証されています。標準仕様は保証されている値ではありません。以下の仕様は、特に記載がない限り 23°Cの環境下におけるものです。



すべての電圧は特に注釈のない限り、DC、AC<sub>pk</sub>、またはその組み合わせで指定されています。

トポロジ	単線式 48 × 1 マルチプレクサ
	2 線式 24 × 1 マルチプレクサ
	2 バンク 2 線式 12 × 1 マルチプレクサ
	4 バンク 2 線式 6 × 1 マルチプレクサ
	4 線式 12 × 1 マルチプレクサ
	2 線式 4 × 6 マトリクス

トポロジ情報については、[ni.com/manuals](https://ni.com/manuals) で『NI スイッチヘルプ』を参照してください。



**注意** ドキュメントに記載されている手順以外の方法で使用した場合、NI 2501 に装備されている保護機能が正常に動作しない場合があります。



**メモ** 単線式 48 × 1 および 2 線式 24 × 1 マルチプレクサのトポロジは、ユニティゲイン増幅器を有効にして、FET の整定時間を短縮することができます。この設定方法、トポロジ、およびピン配列情報については、[ni.com/manuals](https://ni.com/manuals) から『NI スイッチヘルプ』を参照してください。

## 入力特性

すべての入力特性は特に注釈のない限り、DC、AC<sub>rms</sub>、もしくはその組み合わせとします。

最大スイッチング電圧 (チャンネル/グランド間) ±10 VDC、7 VAC

### 過電圧保護

信号 CH<0..23>、COM<0..3>	
電源投入時および切断時	±25 VDC
信号 AB<0..1>	
電源オン	±25 VDC
電源オフ	±15 VDC

### FET スイッチオン抵抗

標準	50 Ω
最大 (25°C時)	85 Ω
最大 (85°C時)	100 Ω

## パス抵抗合計

チャンネル/アナログバス間	
標準	1,650 $\Omega$
最大	1,900 $\Omega$
チャンネル/COM 間	
標準	1,900 $\Omega$
最大	2,150 $\Omega$
アンプ付きマルチプレクサトポロジ	
オフセット電圧	1.5 mV
冷接点センサ	60 $\mu$ V
マルチプレクサトポロジ (アンプなし)	
オフセット電圧	5 $\mu$ V

## RF 性能特性

標準帯域幅 (50  $\Omega$  信号源、1 M $\Omega$  25 pF 負荷)

-3 dB	400 kHz
-10 dB	1 MHz

## 動特性

最大スキャンレート 15,000 チャンネル/s

整定時間 (+5 V~5 V ステップ)、PXI マルチファンクション DAQ デバイスへの 6 インチ AB コネクタを使用して測定

0.012% 確度	
アンプ付き	8.5 $\mu$ s
アンプなし	9.0 $\mu$ s
0.006% 確度	
アンプ付き	10 $\mu$ s
アンプなし	11.5 $\mu$ s
0.0015% 確度	
アンプ付き	16 $\mu$ s
アンプなし	18 $\mu$ s

整定時間 (+5 V~5 V ステップ)、PXI マルチファンクション DAQ デバイスへの  
3 メートルケーブルを使用して測定

0.012% 確度	
アンプ付き	21 $\mu$ s
アンプなし	45 $\mu$ s
0.006% 確度	
アンプ付き	30 $\mu$ s
アンプなし	60 $\mu$ s
0.0015% 確度	
アンプ付き	80 $\mu$ s
アンプなし	160 $\mu$ s



**メモ** アプリケーションによっては、より長い整定時間が必要な場合があります。整定時間の追加についての情報は、[ni.com/manuals](https://ni.com/manuals) から『NI スイッチヘルプ』を参照してください。

## トリガ特性

### 入カトリガ

ソース	PXI トリガライン<0...7>、フロントパネル
最小パルス幅	
PXI トリガライン	70 ns
フロントパネル	500 ns

### 出カトリガ

出力先	PXI トリガライン<0...7>、フロントパネル
パルス幅	1 $\mu$ s

## 物理特性

リレータイプ	FET スイッチ
I/O コネクタ	68 ピンオス SCSI
所要電力	
5 V	1.5 W (標準)
12 V	0.36 W (標準)
-12 V	0.36 W (標準)

外形寸法（奥行 × 幅 × 高さ）	3U、1 スロット、PXI/cPCI モジュール 21.6 cm × 2.0 cm × 13.0 cm (8.5 in. × 0.8 in. × 5.1 in.)
重量	174 g (6.1 oz)

## 環境

動作温度	0°C~50°C
保管温度	-20°C~70°C
相対湿度	5%~85%（結露なきこと）
汚染度	2
最大使用高度	2,000 m

室内使用のみ。

## 耐衝撃/振動

動作時衝撃	最大 30 g（半正弦波）、11 ms パルス （IEC 60068-2-27 に準拠して試験済み。） MIL-PRF-28800F に準拠してテストプロファイルを確立。）
ランダム振動	
動作時	5 Hz~500 Hz、0.3 g <sub>rms</sub>
非動作時	5 Hz~500 Hz、2.4 g <sub>rms</sub> （IEC 60068-2-64 に準拠して試験済み。）非動作時テストプロファイルは MIL-PRF-28800F、Class 3 の要件を上回る。）

## 認可および準拠

### 安全性

この製品は、計測、制御、実験に使用される電気装置に関する以下の安全規格要件を満たすように設計されています。

- IEC 61010-1、EN 61010-1
- UL 61010-1、CSA 61010-1



**メモ** UL およびその他の安全保証については、製品ラベルまたは「[オンライン製品認証](#)」セクションを参照してください。

## 電磁両立性

この製品は、計測、制御、実験に使用される電気装置に関する以下の EMC 規格の必要条件を満たします。

- EN 61326-1 (IEC 61326-1): Class A エミッション、基本イミュニティ
- EN 55011 (CISPR 11): Group 1、Class A エミッション
- AS/NZS CISPR 11: Group 1、Class A エミッション
- FCC 47 CFR Part 15B: Class A エミッション
- ICES-001: Class A エミッション



**メモ** 米国では (FCC 47 CFR に従って)、Class A 機器は商業、軽工業、および重工業の設備内での使用を目的としています。欧州、カナダ、オーストラリア、およびニュージーランドでは (CISPR 11 に従って)、Class A 機器は重工業の設備内のみでの使用を目的としています。



**メモ** Group 1 機器とは (CISPR 11 に従って) 材料の処理または検査/分析の目的で無線周波数エネルギーを意図的に生成しない工業用、科学、または医療向け機器のことです。



**メモ** EMC 宣言および認証については、「[オンライン製品認証](#)」セクションを参照してください。

## CE 適合

この製品は、該当する EC 理事会指令による基本的要件に適合しています。

- 2014/35/EU、低電圧指令 (安全性)
- 2014/30/EU、電磁両立性指令 (EMC)

## オンライン製品認証

この製品のその他の適合規格については、この製品の適合宣言 (DoC) をご覧ください。この製品の製品認証および適合宣言を入手するには、[ni.com/certification](https://ni.com/certification) にアクセスして型番または製品ラインで検索し、保証の欄の該当するリンクをクリックしてください。

## 環境管理

ナショナルインスツルメンツは、環境に優しい製品の設計および製造に努めています。NI は、製品から特定の有害物質を除外することが、環境および NI のお客様にとって有益であると考えています。

環境に関する詳細は、[ni.com/environment](https://ni.com/environment) からアクセス可能な「環境への取り組み」ページを参照してください。このページには、ナショナルインスツルメンツが準拠する環境規制および指令、およびこのドキュメントに含まれていないその他の環境に関する情報が記載されています。

## 廃電気電子機器（WEEE）



**欧州のお客様へ** 製品寿命を過ぎたすべての NI 製品は、お住まいの地域の規定および条例に従って廃棄処分してください。お住まいの地域における NI 製品のリサイクル方法の詳細については、[ni.com/environment/weee](https://ni.com/environment/weee) を参照してください。

## 电子信息产品污染控制管理办法（中国 RoHS）



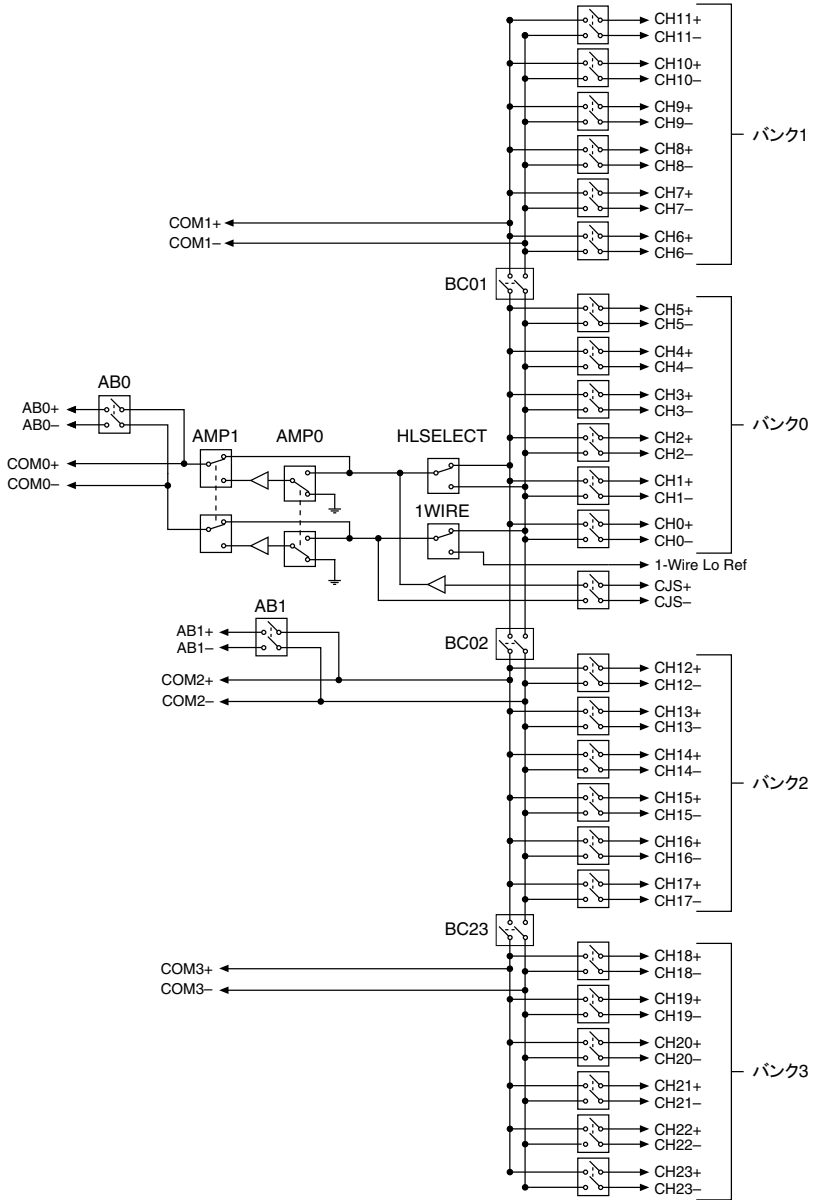
**中国客户** National Instruments 符合中国电子信息产品中限制使用某些有害物质指令 (RoHS)。关于 National Instruments 中国 RoHS 合规性信息，请登录 [ni.com/environment/rohs\\_china](https://ni.com/environment/rohs_china)。(For information about China RoHS compliance, go to [ni.com/environment/rohs\\_china](https://ni.com/environment/rohs_china).)



---

次の図は、NI 2501 のハードウェア図です。

図 1. NI 2501 ハードウェア図



さまざまなトポロジのピン配列については、次の図を参照してください。

図 2. NI 2501 単線式 48 x 1 マルチプレクサのピン配列

CH23	35	1	CH47
CH22	36	2	CH46
CH21	37	3	CH45
CH20	38	4	CH44
CH19	39	5	CH43
CH18	40	6	CH42
EXT_TRIG_IN	41	7	GND
SCAN_ADV	42	8	予約済み
COM3+ <sup>1</sup>	43	9	COM3- <sup>1</sup>
COM2+ <sup>1</sup>	44	10	COM2- <sup>1</sup>
CH17	45	11	CH41
CH16	46	12	CH40
CH15	47	13	CH39
CH14	48	14	CH38
CH13	49	15	CH37
CH12	50	16	CH36
AB1+ <sup>1</sup>	51	17	AB1- <sup>1</sup>
AB0+	52	18	AB0-
CH11	53	19	CH35
CH10	54	20	CH34
CH9	55	21	CH33
GND	56	22	1wireREF
CH8	57	23	CH32
CH7	58	24	CH31
CH6	59	25	CH30
COM1+ <sup>1</sup>	60	26	COM1- <sup>1</sup>
COM0+ <sup>2</sup>	61	27	COM0- <sup>3</sup>
CH5	62	28	CH29
CH4	63	29	CH28
CH3	64	30	CH27
CH2	65	31	CH26
CH1	66	32	CH25
CH0	67	33	CH24
CJS+ <sup>1</sup>	68	34	CJS- <sup>1</sup>

<sup>1</sup> このトポロジでは使用されません

<sup>2</sup> チャンネル数に接続

<sup>3</sup> 1wireREFに接続



図 3. NI 2501 単線式 24 x 2 マルチプレクサのピン配列

CH23+	35	1	CH23-
CH22+	36	2	CH22-
CH21+	37	3	CH21-
CH20+	38	4	CH20-
CH19+	39	5	CH19-
CH18+	40	6	CH18-
EXT_TRIG_IN	41	7	GND
SCAN_ADV	42	8	予約済み
COM3+	43	9	COM3-
COM2+	44	10	COM2-
CH17+	45	11	CH17-
CH16+	46	12	CH16-
CH15+	47	13	CH15-
CH14+	48	14	CH14-
CH13+	49	15	CH13-
CH12+	50	16	CH12-
AB1+	51	17	AB1-
AB0+	52	18	AB0-
CH11+	53	19	CH11-
CH10+	54	20	CH10-
CH9+	55	21	CH9-
GND	56	22	1_WIRE_LO_REF <sup>1</sup>
CH8+	57	23	CH8-
CH7+	58	24	CH7-
CH6+	59	25	CH6-
COM1+ <sup>1</sup>	60	26	COM1- <sup>1</sup>
COM0+	61	27	COM0-
CH5+	62	28	CH5-
CH4+	63	29	CH4-
CH3+	64	30	CH3-
CH2+	65	31	CH2-
CH1+	66	32	CH1-
CH0+	67	33	CH0-
CJS0+	68	34	CJS0-

<sup>1</sup>2線式モードでは使用されません

図 4. NI 2501 2 バンク 2 線式 12 x 1 マルチプレクサのピン配列

CH23+	35	1	CH23-
CH22+	36	2	CH22-
CH21+	37	3	CH21-
CH20+	38	4	CH20-
CH19+	39	5	CH19-
CH18+	40	6	CH18-
EXT_TRIG_IN	41	7	GND
SCAN_ADV	42	8	予約済み
COM3+	43	9	COM3-
COM2+	44	10	COM2-
CH17+	45	11	CH17-
CH16+	46	12	CH16-
CH15+	47	13	CH15-
CH14+	48	14	CH14-
CH13+	49	15	CH13-
CH12+	50	16	CH12-
AB1+	51	17	AB1-
AB0+	52	18	AB0-
CH11+	53	19	CH11-
CH10+	54	20	CH10-
CH9+	55	21	CH9-
GND	56	22	1_WIRE_LO_REF <sup>1</sup>
CH8+	57	23	CH8-
CH7+	58	24	CH7-
CH6+	59	25	CH6-
COM1+ <sup>1</sup>	60	26	COM1- <sup>1</sup>
COM0+	61	27	COM0-
CH5+	62	28	CH5-
CH4+	63	29	CH4-
CH3+	64	30	CH3-
CH2+	65	31	CH2-
CH1+	66	32	CH1-
CH0+	67	33	CH0-
CJS0+	68	34	CJS0-

<sup>1</sup>2線式モードでは使用されません

図 5. NI 2501 4 バンク 2 線式 6 x 1 マルチプレクサのピン配列

CH23+	35	1	CH23-
CH22+	36	2	CH22-
CH21+	37	3	CH21-
CH20+	38	4	CH20-
CH19+	39	5	CH19-
CH18+	40	6	CH18-
EXT_TRIG_IN	41	7	GND
SCAN_ADV	42	8	予約済み
COM3+	43	9	COM3-
COM2+	44	10	COM2-
CH17+	45	11	CH17-
CH16+	46	12	CH16-
CH15+	47	13	CH15-
CH14+	48	14	CH14-
CH13+	49	15	CH13-
CH12+	50	16	CH12-
AB1+	51	17	AB1-
AB0+	52	18	AB0-
CH11+	53	19	CH11-
CH10+	54	20	CH10-
CH9+	55	21	CH9-
GND	56	22	1_WIRE_LO_REF <sup>1</sup>
CH8+	57	23	CH8-
CH7+	58	24	CH7-
CH6+	59	25	CH6-
COM1+	60	26	COM1-
COM0+	61	27	COM0-
CH5+	62	28	CH5-
CH4+	63	29	CH4-
CH3+	64	30	CH3-
CH2+	65	31	CH2-
CH1+	66	32	CH1-
CH0+	67	33	CH0-
CJS0+	68	34	CJS0-

<sup>1</sup>4線式モードでは使用されません

図 6. NI 2501 4 線式 12 x 1 マルチプレクサのピン配列

CH11B+	35	1	CH11B-
CH10B+	36	2	CH10B-
CH9B+	37	3	CH9B-
CH8B+	38	4	CH8B-
CH7B+	39	5	CH7B-
CH6B+	40	6	CH6B-
EXT_TRIG_IN	41	7	GND
SCAN_ADV	42	8	予約済み
COM1B+	43	9	COM1B-
COM0B+	44	10	COM0B-
CH5B+	45	11	CH5B-
CH4B+	46	12	CH4B-
CH3B+	47	13	CH3B-
CH2B+	48	14	CH2B-
CH1B+	49	15	CH1B-
CH0B+	50	16	CH0B-
AB0B+	51	17	AB0B-
AB0A+	52	18	AB0A-
CH11A+	53	19	CH11A-
CH10A+	54	20	CH10A-
CH9A+	55	21	CH9A-
GND	56	22	1_WIRE_LO_REF <sup>1</sup>
CH8A+	57	23	CH8A-
CH7A+	58	24	CH7A-
CH6A+	59	25	CH6A-
COM1A+	60	26	COM1A-
COM0A+	61	27	COM0A-
CH5A+	62	28	CH5A-
CH4A+	63	29	CH4A-
CH3A+	64	30	CH3A-
CH2A+	65	31	CH2A-
CH1A+	66	32	CH1A-
CH0A+	67	33	CH0A-
CJS+ <sup>1</sup>	68	34	CJS- <sup>1</sup>

<sup>1</sup>4線式モードでは使用されません

図 7. NI 2501 2 線式 4 x 6 マトリクスのピン配列

COL5+	35	1	COL5-
COL4+	36	2	COL4-
COL3+	37	3	COL3-
COL2+	38	4	COL2-
COL1+	39	5	COL1-
COL0+	40	6	COL0-
EXT_TRIG_IN	41	7	GND
SCAN_ADV	42	8	予約済み
ROW3+	43	9	ROW3-
ROW2+	44	10	ROW2-
COL5+	45	11	COL5-
COL4+	46	12	COL4-
COL3+	47	13	COL3-
COL2+	48	14	COL2-
COL1+	49	15	COL1-
COL0+	50	16	COL0-
AB1+ (ROW2+)	51	17	AB1- (ROW2-)
AB0+ (ROW0+)	52	18	AB0- (ROW0-)
COL5+	53	19	COL5-
COL4+	54	20	COL4-
COL3+	55	21	COL3-
GND	56	22	1_WIRE_LO_REF <sup>1</sup>
COL2+	57	23	COL2-
COL1+	58	24	COL1-
COL0+	59	25	COL0-
ROW1+	60	26	ROW1-
ROW0+	61	27	ROW0-
COL5+	62	28	COL5-
COL4+	63	29	COL4-
COL3+	64	30	COL3-
COL2+	65	31	COL2-
COL1+	66	32	COL1-
COL0+	67	33	COL0-
CJS+ <sup>1</sup>	68	34	CJS- <sup>1</sup>

<sup>1</sup>4線式モードでは使用されません

## アクセサリ

以下のアクセサリの詳細については、[ni.com](http://ni.com) を参照してください。



**注意** 必ず、地域の安全コードと基準、および製造元によって提供された規格に従ってメイトコネクタを取り付けてください。他社製コネクタの安全適

合指令、また該当する基準（北米の UL および CSA、ヨーロッパの IEC および VDE を含む）に従った使用方法を確認してください。



**注意** 指定された EMC のパフォーマンスを確保するには、シールドケーブルおよびアクセサリを必ず使用してください。非シールドケーブルまたはアクセサリを使用する場合は、適切に設計されたシールド付き入力/出力ポートが装備され、シールドケーブルで製品に接続されたシールドケースに取り付けてください。非シールドケーブルまたはアクセサリが適切に取り付けおよびシールドされていない場合、この製品の EMC 仕様は保証されません。

表 1. NI 2501 対応のアクセサリ

アクセサリ	製品番号
NI TB-2605 マルチプレクサ端子台（単線式 48 × 1 マルチプレクサ） （2 線式 24 × 1 マルチプレクサ）（2 バンク 2 線式 12 × 1 マルチプレクサ） （4 バンク 2 線式 6 × 1 マルチプレクサ）（4 線式 12 × 1 マルチプレクサ）	777878-01
NI TB-2606 マトリクス端子台（2 線式 4 × 6 マトリクス）	777879-01
TBX-68S 冷接点センサ付端子台	777716-01
CB-68LP 68 ピン非シールド I/O 端子台	777145-01
SH68-68S シールドケーブル、1 m	185262-01
SH68-68S シールドケーブル、2 m	185262-02
SH68-68S シールドケーブル、5 m	185262-05

National Instruments の商標については、[ni.com/trademarks](http://ni.com/trademarks) に掲載されている「NI Trademarks and Logo Guidelines」をご覧ください。本書中に記載されたその他の製品名及び企業名は、それぞれの企業の商標又は商号です。National Instruments の製品を保護する特許については、ソフトウェアで参照できる特許情報（ヘルプ→特許）、メディアに含まれている `patents.txt` ファイル、又は [ni.com/patents](http://ni.com/patents) からアクセスできる National Instruments Patent Notice（英語）のうち、該当するリソースから参照してください。エンドユーザ使用許諾契約（EULA）及び他社製品の法的注意事項はご使用の NI 製品の Readme ファイルにあります。National Instruments の輸出関連法規遵守に対する方針については、また必要な HTS コード、ECCN（Export Control Classification Number）、その他の輸出入に関する情報の取得方法については、「輸出関連法規の遵守に関する情報」（[ni.com/legal/ja/export-compliance](http://ni.com/legal/ja/export-compliance)）を参照してください。NI は、本書に記載の情報の正確性について、一切の明示又は黙示の保証を行わず、技術的な誤りについて一切の責任を負いません。米国政府のお客様へ：本書に含まれているデータは、民間企業の費用により作成されており、民間機関用の連邦調達規則 52.227-14 と軍事機関用の国防省連邦調達規則補足 252.227-7014 及び 252.227-7015 に基づく限定権利及び制約付データ権利の条項の適用を受けます。

© 2003–2016 National Instruments. All rights reserved.

373532G-01 2016 年 04 月