

COMPREHENSIVE SERVICES

We offer competitive repair and calibration services, as well as easily accessible documentation and free downloadable resources.

SELL YOUR SURPLUS

We buy new, used, decommissioned, and surplus parts from every NI series. We work out the best solution to suit your individual needs.

 Sell For Cash  Get Credit  Receive a Trade-In Deal

OBSOLETE NI HARDWARE IN STOCK & READY TO SHIP

We stock **New**, **New Surplus**, **Refurbished**, and **Reconditioned** NI Hardware.



Bridging the gap between the manufacturer and your legacy test system.

 1-800-915-6216

 www.apexwaves.com

 sales@apexwaves.com

All trademarks, brands, and brand names are the property of their respective owners.

Request a Quote

 **CLICK HERE**

TB-2627

CALIBRATION PROCEDURE

NI 9253

8 AI, ± 20 mA, 24 bit, 50 kS/s/ch Simultaneous

This document contains the verification and adjustment procedures for NI 9253. For more information about calibration solutions, visit ni.com/calibration.

Software

Calibrating the NI 9253 requires the installation of NI-DAQmx 19.1 or later on the calibration system.

You can download NI-DAQmx from ni.com/downloads. NI-DAQmx supports LabVIEW, LabWindows™/CVI™, ANSI C, and .NET. When you install NI-DAQmx, you only need to install support for the application software that you intend to use.

Documentation

Consult the following documents for information about the NI 9253, NI-DAQmx, and your application software. All documents are available on ni.com and help files install with the software.



NI cDAQ-9174/9178 USB Chassis Quick Start

NI-DAQmx installation and hardware setup



NI 9253 Getting Started Guide

NI 9253 connection information



NI 9253 Datasheet

NI 9253 circuitry and specifications



NI-DAQmx Readme

Operating system and application software support in NI-DAQmx



LabVIEW Help

LabVIEW programming concepts and reference information about NI-DAQmx VIs and functions



NI-DAQmx C Reference Help

Reference information for NI-DAQmx C functions and NI-DAQmx C properties



NI-DAQmx .NET Help Support for Visual Studio

Reference information for NI-DAQmx .NET methods and NI-DAQmx .NET properties, key concepts, and a C enum to .NET enum mapping table

Test Equipment

The following table lists the equipment recommended for the performance verification and adjustment procedures. If the recommended equipment is not available, select a substitute using the requirements listed.

Table 1. Recommended Equipment

Equipment	Recommended Model	Requirements
Calibrator	Fluke 5502A	Use a high-precision DC current source with a gain uncertainty of <800 ppm and an offset uncertainty of <1.5 μ A.
Switch Matrix ¹	NI PXI-2527	Use an 8-to-1 switch with a leakage current of <1.5 μ A.
Terminal Block	NI TB-2627	—
Chassis	NI cDAQ-9178	—

Test Conditions

The following setup and environmental conditions are required to ensure the device meets published specifications.

- Keep connections to the device as short as possible. Long cables and wires act as antennas, picking up extra noise that can affect measurements.
- Verify that all connections to the device are secure.
- Use shielded copper wire for all cable connections to the device. Use twisted-pairs wire to eliminate noise and thermal offsets.
- Maintain an ambient temperature of 23 °C \pm 5 °C.

¹ Switch contact resistance degrades after many switching cycles. Ensure that the switch is still within its switching lifetime before starting the calibration. Consult the switch user manual for more information.

- Keep relative humidity below 80%.
- Allow a warm-up time of at least 10 minutes to ensure that the device measurement circuitry is at a stable operating temperature.

Initial Setup

Complete the following steps to set up the NI 9253.

1. Install NI-DAQmx.
2. Make sure that the NI cDAQ-9178 power source is not connected to the chassis.
3. Connect the NI cDAQ-9178 chassis to the system safety ground.
 - a) Attach a ring lug to a 14 AWG (1.6 mm) wire.
 - b) Connect the ring lug to the ground terminal on the side of the NI cDAQ-9178 using the ground screw.
 - c) Attach the other end of the wire to the system safety ground.
4. Install the module in slot 8 of the NI cDAQ-9178 chassis. Leave slots 1 through 7 of the NI cDAQ-9178 chassis empty.
5. Connect the NI cDAQ-9178 chassis to your host computer.
6. Connect the power source to the NI cDAQ-9178 chassis.
7. Launch Measurement & Automation Explorer (MAX).
8. Right-click the device name and select **Self-Test** to ensure that the module is working properly.

Verification

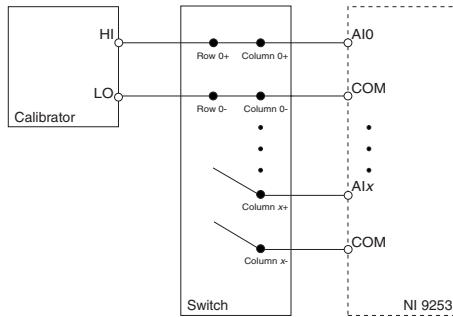
The following performance verification procedure describes the sequence of operation and provides test points required to verify the NI 9253. The verification procedure assumes that adequate traceable uncertainties are available for the calibration references.

Accuracy Verification

Complete the following procedure to determine the As-Found status of the NI 9253.

1. Set the calibrator to Standby mode (STBY).
2. Connect the NI 9253 to the calibrator as shown in the following figure.

Figure 1. Analog Input Verification Connections



Note If the calibrator outputs are truly floating, connect the negative output to a quiet earth ground as well as COM to give the entire system a ground reference.

3. Set the switch so that Column $x+$ and Column $x-$ are connected to Row $0+$ and Row $0-$. This connects AI_x to the calibrator outputs.
4. Set the calibrator current to a Test Point value indicated in the *NI 9253 Verification Test Limits* table.
5. Set the calibrator to Operate mode (OPR).
6. Acquire and average samples.
 - a) Create and configure an AI current channel according to the following *NI 9253 AI Current Task* table.

Table 2. NI 9253 AI Current Task

Physical Channels	Range	Terminal Configuration
cDAQMod8/AI0:7	± 0.02 A	Default

- b) Configure the AI current channel timing according to the following *NI 9253 Task Timing* table.

Table 3. NI 9253 Task Timing

Samples Per Channel	Acquisition Mode	Rate (kS/s)
1000	Finite Samples	50

- c) Set the filter frequency to 3125 Hz using the Channel Property (**Analog Input»General Properties»Digital Filter»Notch»Center Frequency**).
- d) Start the task.
- e) Read the samples from the NI 9253.
- f) Average the samples.
- g) Clear the task.

7. Compare the averaged samples to the limits in the *NI 9253 Verification Test Limits* table to verify the input accuracy. If the values are within these limits, the device passes the test.
8. Set the calibrator to Standby mode (STBY).
9. Repeat steps 5 through 8 for each test point in the *NI 9253 Verification Test Limits* table.
10. Repeat steps 3 through 9 for the next channel on the NI 9253.
11. Disconnect the calibrator from the device.

Table 4. NI 9253 Verification Test Limits

Test Points	Device Under Test Settings/Configuration					Standard Settings/Configuration
	Data Rate (kS/s)	Samples Per Channel	Filter Frequency (Hz)	Lower Limit (mA)	Upper Limit (mA)	Output Current (mA)
1	50	1000	3125	-20.0748	-19.9252	-20.0000
2	50	1000	3125	-0.0088	0.0088	0.0000
3	50	1000	3125	19.9252	20.0748	20.0000



Note The test limits listed in the *NI 9253 Verification Test Limits* table are derived using values from the *NI 9253 Accuracy Under Calibration Conditions* table.

Adjustment

The following performance adjustment procedure describes the sequence of operation required to adjust the NI 9253.

Accuracy Adjustment

Complete the following procedure to adjust the accuracy performance of the NI 9253.

1. Set the calibrator to Standby mode (STBY).
2. Connect the NI 9253 to the calibrator as shown in the *Accuracy Verification* section.
3. Adjust the NI 9253.
 - a) Initialize a calibration session on the NI 9253. The default password is NI.
 - b) Input the external temperature in degrees Celsius.
 - c) Call the NI 9253 get C Series adjustment points function to obtain an array of recommended calibration currents for the NI 9253.
 - d) Set the calibrator to a reference value determined by the array of recommended calibration currents.
 - e) Set the calibrator to Operate mode (OPR).
 - f) Call and configure the NI 9253 adjustment function according to *NI 9253 Adjustment Configuration* table.

Table 5. NI 9253 Adjustment Configuration

Physical Channel	Reference Value
cDAQ1Mod8/AI0:7	The actual value of the current output of the calibrator

- g) Set the calibrator to Standby mode (STBY).
 - h) Repeat steps d through g for each point in the array.
 - i) Close the calibration session.
 - j) Clear the task.
4. Disconnect the NI 9253 from the calibrator.
 5. Repeat steps 3 through 4 for the next channel on the NI 9253.

EEPROM Update

When an adjustment procedure is completed, the NI 9253 internal calibration memory (EEPROM) is immediately updated.

If you do not want to perform an adjustment, you can update the calibration date and onboard calibration temperature without making any adjustments by initializing an external calibration, setting the C Series calibration temperature, and closing the external calibration.

Reverification

Repeat the *Verification* section to determine the As-Left status of the device.



Note If any test fails Reverification after performing an adjustment, verify that you have met the Test Conditions before returning your device to NI. Refer to the *Worldwide Support and Services* section for assistance in returning the device to NI.

Accuracy under Calibration Conditions

The values in the following table are based on calibrated scaling coefficients, which are stored in the onboard EEPROM.

The following accuracy table is valid for calibration under the following conditions:

- Ambient temperature $23\text{ }^{\circ}\text{C} \pm 5\text{ }^{\circ}\text{C}$
- NI 9253 installed in slot 8 of an NI cDAQ-9178 chassis
- Slots 1 through 7 of the NI cDAQ-9178 chassis are empty

Table 6. NI 9253 Accuracy under Calibration Conditions

Device	Percent of Reading (Gain Error)	Percentage of Range (Offset Error) ²
NI 9253	0.33%	0.04%



Note For operational specifications, refer to the most recent *NI 9253 Datasheet* online at ni.com/manuals.

Worldwide Support and Services

The NI website is your complete resource for technical support. At ni.com/support, you have access to everything from troubleshooting and application development self-help resources to email and phone assistance from NI Application Engineers.

Visit ni.com/services for information about the services NI offers.

Visit ni.com/register to register your NI product. Product registration facilitates technical support and ensures that you receive important information updates from NI.

NI corporate headquarters is located at 11500 North Mopac Expressway, Austin, Texas, 78759-3504. NI also has offices located around the world. For support in the United States, create your service request at ni.com/support or dial 1 866 ASK MYNI (275 6964). For support outside the United States, visit the *Worldwide Offices* section of ni.com/niglobal to access the branch office websites, which provide up-to-date contact information.

² Range equals 21.9 mA.

Information is subject to change without notice. Refer to the *NI Trademarks and Logo Guidelines* at ni.com/trademarks for information on NI trademarks. Other product and company names mentioned herein are trademarks or trade names of their respective companies. For patents covering NI products/technology, refer to the appropriate location: **Help»Patents** in your software, the `patents.txt` file on your media, or the *National Instruments Patent Notice* at ni.com/patents. You can find information about end-user license agreements (EULAs) and third-party legal notices in the `readme` file for your NI product. Refer to the *Export Compliance Information* at ni.com/legal/export-compliance for the NI global trade compliance policy and how to obtain relevant HTS codes, ECCNs, and other import/export data. NI MAKES NO EXPRESS OR IMPLIED WARRANTIES AS TO THE ACCURACY OF THE INFORMATION CONTAINED HEREIN AND SHALL NOT BE LIABLE FOR ANY ERRORS. U.S. Government Customers: The data contained in this manual was developed at private expense and is subject to the applicable limited rights and restricted data rights as set forth in FAR 52.227-14, DFAR 252.227-7014, and DFAR 252.227-7015.

© 2019 National Instruments. All rights reserved.

378063A-01 August 22, 2019