

COMPREHENSIVE SERVICES

We offer competitive repair and calibration services, as well as easily accessible documentation and free downloadable resources.

SELL YOUR SURPLUS

We buy new, used, decommissioned, and surplus parts from every NI series. We work out the best solution to suit your individual needs.

 Sell For Cash  Get Credit  Receive a Trade-In Deal

OBSOLETE NI HARDWARE IN STOCK & READY TO SHIP

We stock **New**, **New Surplus**, **Refurbished**, and **Reconditioned** NI Hardware.



Bridging the gap between the manufacturer and your legacy test system.

 1-800-915-6216

 www.apexwaves.com

 sales@apexwaves.com

All trademarks, brands, and brand names are the property of their respective owners.

Request a Quote

 **CLICK HERE**

USB-6008

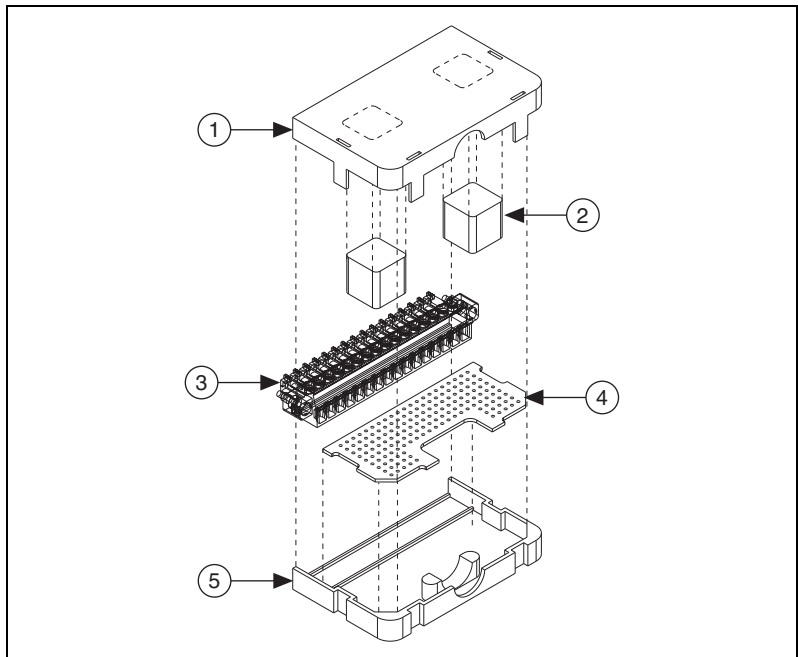
ASSEMBLY INSTRUCTIONS

USB-6000 Series Prototyping Accessory

The USB-6000 Series Prototyping Accessory is a plug that attaches to the 16-position connector of the USB-6008/6009, the USB-6501, as well as any product with a 16-position, 3.81 mm pitch, combicon-style connector. The USB-6000 Series Prototyping Accessory has a small breadboarding area allowing for custom-defined signal conditioning and prototyping within the housing.



Caution Not for use with voltages exceeding 30 Vrms.



- | | |
|--------------------------|-----------------------------|
| 1 Plastic Housing (Top) | 4 Prototyping Circuit Board |
| 2 Adhesive Foam Standoff | 5 Plastic Housing (Bottom) |
| 3 Connector | |

This kit includes the connector, prototyping circuit board, plastic housing top and bottom, and adhesive foam standoffs, as pictured in the previous figure:

Use the following steps for assembly:

1. Peel off adhesive lining from the foam standoffs and apply them to the inside of the housing top in the location shown.
2. Drop the connector and printed circuit board into the housing bottom.
3. Snap the top and bottom together.



Note A strain relief bar and product labeling windows are included with the prototyping accessory for your convenience.

Specification

Overall Dimensions2.50 in. × 1.81 in. × 0.58 in.

National Instruments, NI, ni.com, and LabVIEW are trademarks of National Instruments Corporation. Refer to the *Terms of Use* section on ni.com/legal for more information about National Instruments trademarks. Other product and company names mentioned herein are trademarks or trade names of their respective companies. For patents covering National Instruments products, refer to the appropriate location: **Help»Patents** in your software, the `patents.txt` file on your CD, or ni.com/patents.