

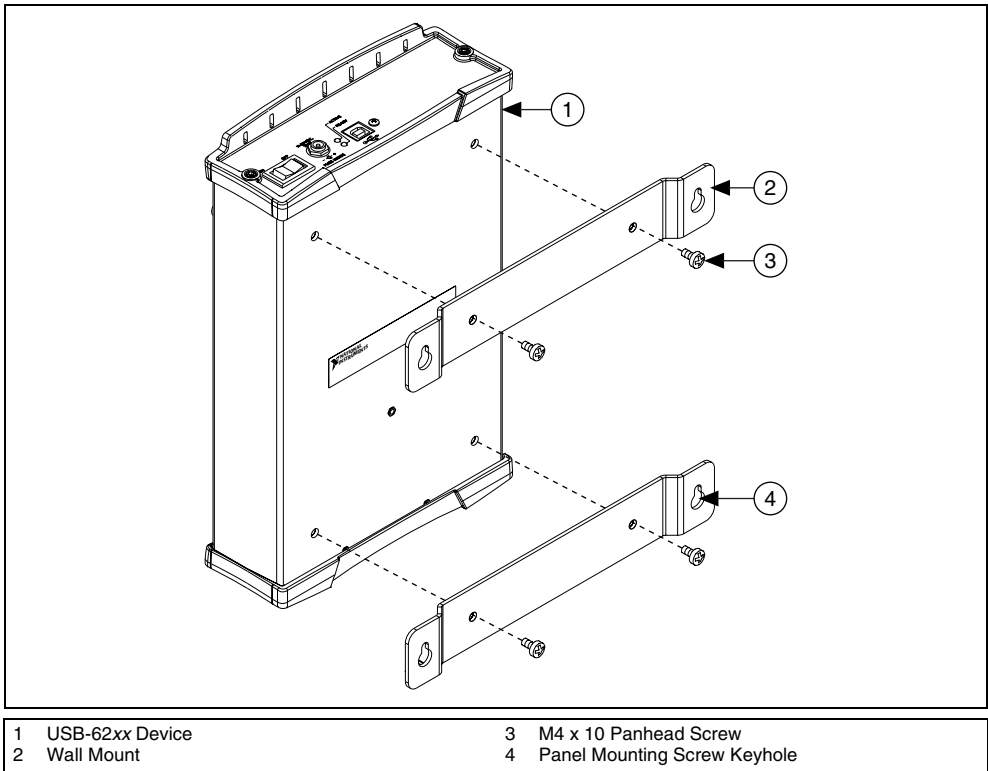
## INSTALLATION GUIDE

# Externally Powered USB M Series Panel Mounting Kit

The externally powered USB M Series panel mounting kit (part number 780214-01) is an accessory you can use to mount NI USB-622x/625x/628x devices to a panel.

Complete the following steps to install the panel mounting kit on your NI USB-62xx device.

1. Remove the rubber feet from the bottom of the USB-62xx device.
2. Fasten the wall mounts to the USB-62xx device using a #2 Phillips screwdriver and four M4 × 10 panhead screws, included in the panel mounting kit. Verify that the narrow ends of the panel mounting screw keyholes are pointing up. Tighten the screws to a torque of 1.29 N · m (11.5 lb · in.). Figure 1 shows a wall mount being attached to a USB-62xx device.



**Figure 1.** Attaching the Wall Mounts to a USB-62xx Device

3. Use four M4 or #8 screws to attach the wall mounts to the panel. Tighten the screws, leaving room to easily remove the device from the panel.

## National Instruments Contact Information

---

The National Instruments Web site is your complete resource for technical support. At [ni.com/support](http://ni.com/support) you have access to everything from troubleshooting and application development self-help resources to email and phone assistance from NI Application Engineers.

National Instruments corporate headquarters is located at 11500 North Mopac Expressway, Austin, Texas, 78759-3504. National Instruments also has offices located around the world to help address your support needs. For telephone support in the United States, create your service request at [ni.com/support](http://ni.com/support) and follow the calling instructions or dial 512 795 8248. For telephone support outside the United States, contact your local branch office:

Australia 1800 300 800, Austria 43 662 457990-0, Belgium 32 (0) 2 757 0020,  
Brazil 55 11 3262 3599, Canada 800 433 3488, China 86 21 5050 9800,  
Czech Republic 420 224 235 774, Denmark 45 45 76 26 00, Finland 358 (0) 9 725 72511,  
France 01 57 66 24 24, Germany 49 89 7413130, India 91 80 41190000, Israel 972 3 6393737,  
Italy 39 02 41309277, Japan 0120-527196, Korea 82 02 3451 3400, Lebanon 961 (0) 1 33 28 28,  
Malaysia 1800 887710, Mexico 01 800 010 0793, Netherlands 31 (0) 348 433 466,  
New Zealand 0800 553 322, Norway 47 (0) 66 90 76 60, Poland 48 22 3390150,  
Portugal 351 210 311 210, Russia 7 495 783 6851, Singapore 1800 226 5886,  
Slovenia 386 3 425 42 00, South Africa 27 0 11 805 8197, Spain 34 91 640 0085,  
Sweden 46 (0) 8 587 895 00, Switzerland 41 56 2005151, Taiwan 886 02 2377 2222,  
Thailand 662 278 6777, Turkey 90 212 279 3031, United Kingdom 44 (0) 1635 523545

National Instruments, NI, ni.com, and LabVIEW are trademarks of National Instruments Corporation. Refer to the *Terms of Use* section on [ni.com/legal](http://ni.com/legal) for more information about National Instruments trademarks. Other product and company names mentioned herein are trademarks or trade names of their respective companies. For patents covering National Instruments products, refer to the appropriate location: **Help»Patents** in your software, the `patents.txt` file on your CD, or [ni.com/patents](http://ni.com/patents).