

COMPREHENSIVE SERVICES

We offer competitive repair and calibration services, as well as easily accessible documentation and free downloadable resources.

SELL YOUR SURPLUS

We buy new, used, decommissioned, and surplus parts from every NI series. We work out the best solution to suit your individual needs.

 Sell For Cash  Get Credit  Receive a Trade-In Deal

OBSOLETE NI HARDWARE IN STOCK & READY TO SHIP

We stock **New**, **New Surplus**, **Refurbished**, and **Reconditioned** NI Hardware.



Bridging the gap between the manufacturer and your legacy test system.

 1-800-915-6216

 www.apexwaves.com

 sales@apexwaves.com

All trademarks, brands, and brand names are the property of their respective owners.

Request a Quote

 **CLICK HERE**

USB-7856

NI USB-7856R OEM

R Series for USB Multifunction RIO with Kintex-7 160T FPGA

Français	Deutsch	日本語	한국어	简体中文
ni.com/manuals				

This document provides dimensions, connectivity information, and pinouts for the National Instruments USB-7856R OEM device.



Caution National Instruments makes no product safety, electromagnetic compatibility (EMC), or CE marking compliance claims for NI USB-7856R OEM device. The end-product supplier is responsible for conformity to any and all compliance requirements.

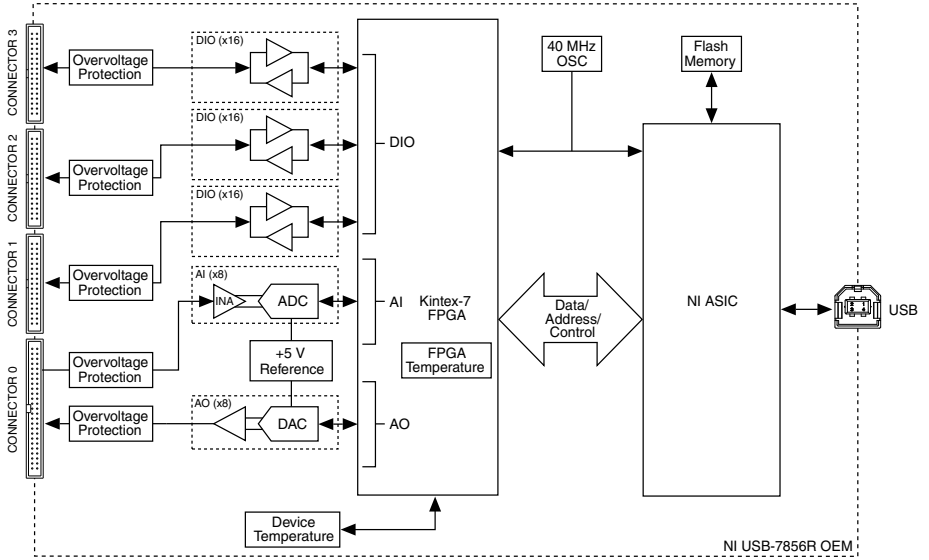


Caution Do not operate the NI USB-7856R OEM device in a manner not specified in this user manual. Product misuse can result in a hazard. You can compromise the safety protection built into the product if the product is damaged in any way. If the product is damaged, return it to National Instruments for repair.

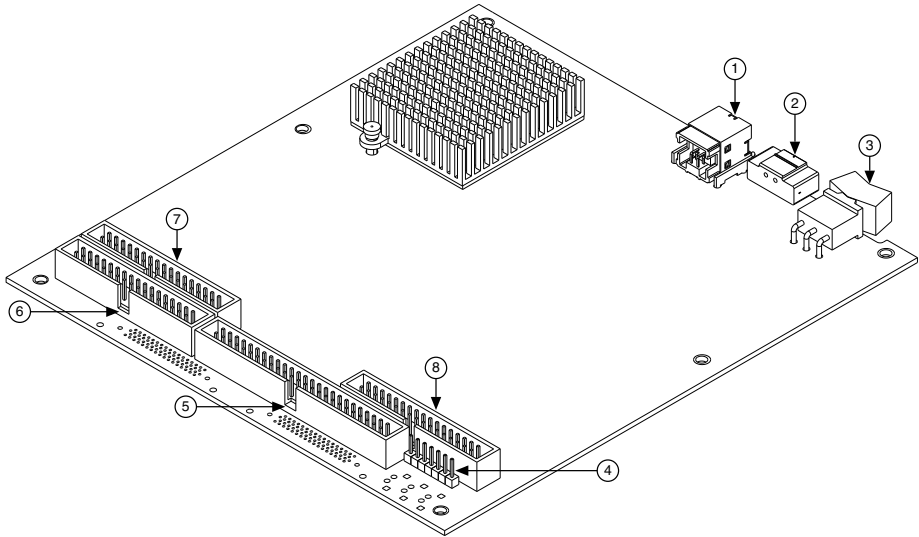
Hardware Overview

The following high-level block diagram represents the NI USB-7856R OEM device.

Figure 1. NI USB-7856R OEM Device Block Diagram



Parts Locator



- | | |
|-----------------------------|--------------------------|
| 1. USB Connector | 5. Connector 0 (Analog) |
| 2. Power Supply Connector | 6. Connector 1 (Digital) |
| 3. Power Switch | 7. Connector 2 (Digital) |
| 4. External LED Attachments | 8. Connector 3 (Digital) |

NI USB-7856R OEM Device Components

The following table lists the interfacing components on the NI USB-7856R OEM device and the component manufacturers.

Table 1. NI USB-7856R OEM Device Components

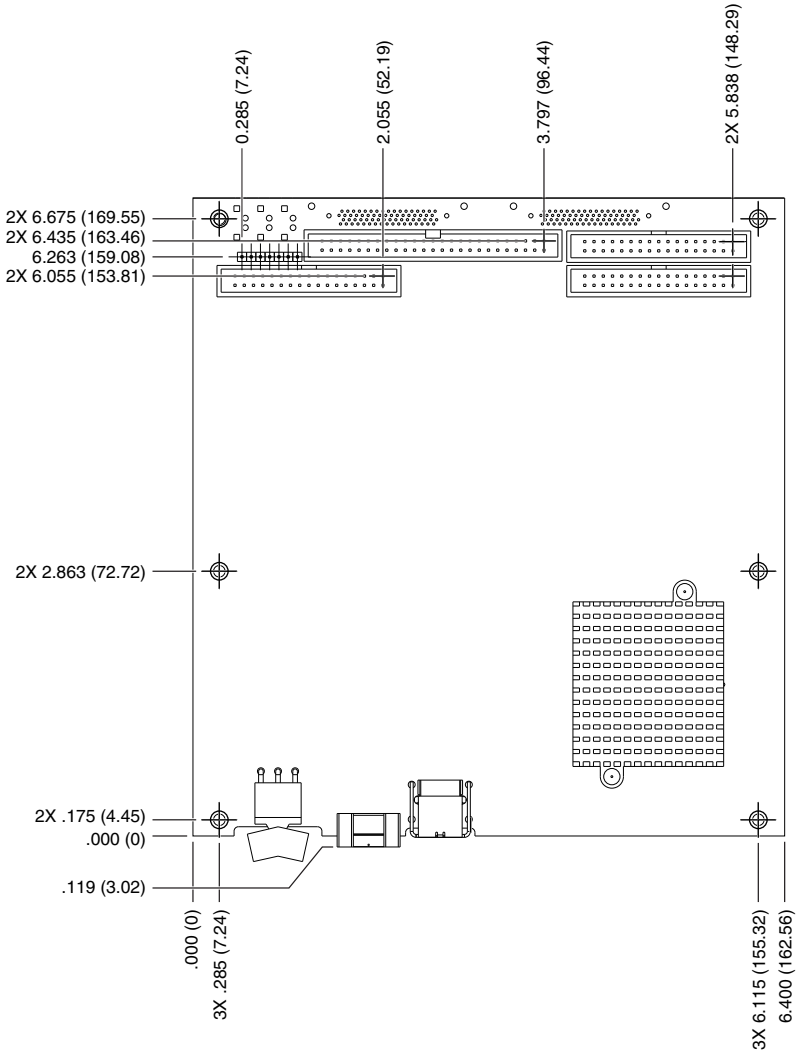
Components	Reference Designator	Manufacturer
LEDs	DS2, DS5, DS7, DS8, DS10	SunLED (XZBB54W-1TN)
	DS4	Everlight Electronic (QTLP630C-2 T/R)
USB connector	J5	Tyco (292304-1)
Power connector	J1, J2, & J9	Phoenix Contact (1727566)
Power switch	SW2	C&K (E101J1AQE2)

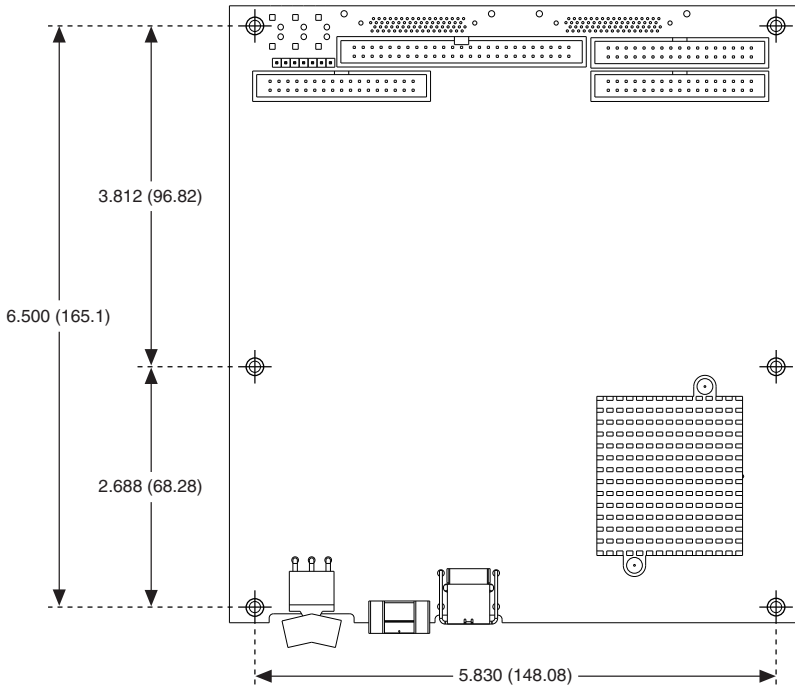
The following table lists and describes the I/O connectors on the NI USB-7856R OEM device. Refer to the connector manufacturer for information about using and matching these connectors.

Table 2. NI USB-7856R OEM Device Connectors

Connector	Description	Reference Designator	Manufacturer
AI, AO	50-position header	P2	3M (N2550-6002RB)
DIO	34-position header	J9	3M (N2534-6002RB)
External LED	7-position header	E1	FCI 68000-107LF

Dimensions





Note Visit ni.com/dimensions for more information about the dimensions of the NI USB-7856R OEM device, including two-dimensional drawings and three-dimensional models.

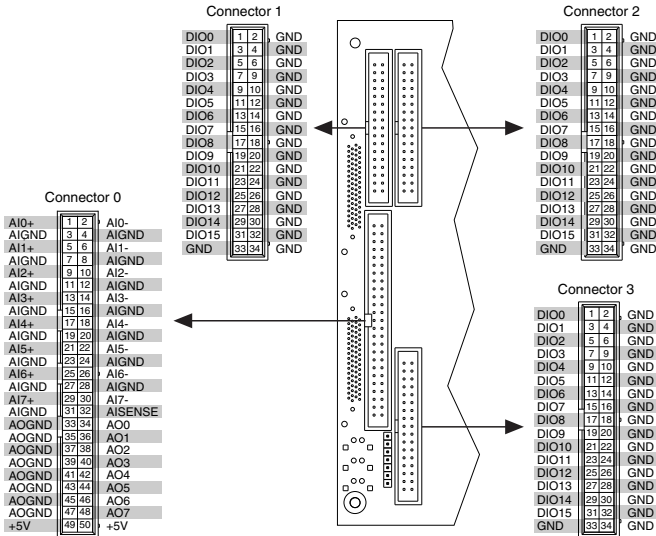


Note The NI USB-7856R OEM device has plated mounting holes that can act as chassis ground.

Connecting the NI USB-7856R OEM Device

The NI USB-7856R OEM device provides connections for eight analog input (AI) channels, eight analog output (AO) channels, and forty-eight digital input/output (DIO) channels, as shown in Figure 2.

Figure 2. NI USB-7856R OEM Device Pinout



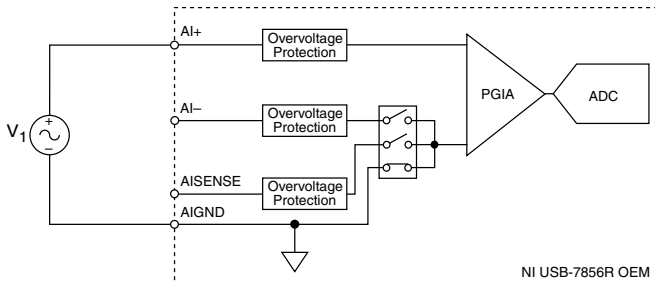
Analog Input

The NI USB-7856R OEM device provides connections for eight AI channels. Each channel has an AI+ pin, AI- pin, and AIGND pin to which you can connect both single-ended or differential voltage signals. Use the AISENSE pin to connect non-referenced single-ended signals.

Connecting Single-Ended Voltage Signals

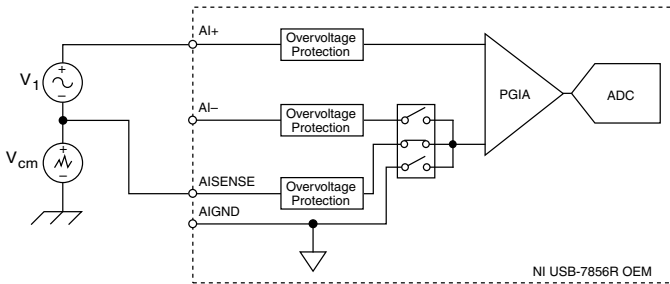
To connect referenced single-ended voltage signals to the NI USB-7856R OEM device, you must connect the voltage ground signal to AI GND in order to keep the common-mode voltage in the specified range, as shown in Figure 3.

Figure 3. Connecting Referenced Single-Ended Signals to the NI USB-7856R OEM Device



To connect non-referenced single-ended voltage signals to the NI USB-7856R OEM device, you must connect the voltage ground signal to AI SENSE in order to keep the common-mode voltage in the specified range, as shown in Figure 4.

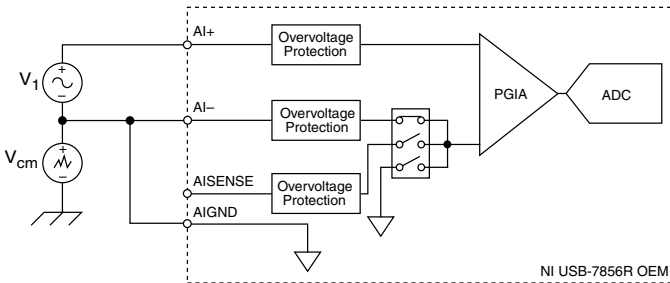
Figure 4. Connecting Non-Referenced Single-Ended Signals to the NI USB-7856R OEM Device



Connecting Differential Voltage Signals

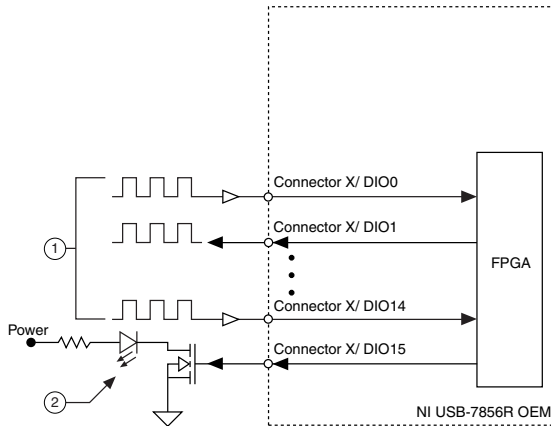
You can connect grounded or floating differential signal sources to the NI USB-7856R OEM device. Connect the positive voltage signal to the AI+ and the negative voltage signal to AI-. To connect grounded differential signals to the NI USB-7856R OEM device, you must also connect the signal reference to AI GND.

Figure 5. Connecting Grounded Differential Signals to the NI USB-7856R OEM Device



To connect floating differential signals to the NI USB-7856R OEM device, you must connect the negative and positive signals to AI GND through 1 MΩ resistors to keep the voltage within the common-mode voltage range. If the voltage source is outside the common-mode voltage range, the NI USB-7856R OEM device does not read data accurately.

Figure 8. Connecting to the DIO Channels



1. Low-speed signal frequencies up to 10 MHz with logic levels configured as 1.2 V, 1.5 V, 1.8 V, 2.5 V, or 3.3 V. Connectors 1 and 2 share the same voltage settings.
2. LED

The DIO channels connect to the FPGA through buffers, which have overvoltage and undervoltage protection as well as over current protection. Refer to the *NI USB-7856R OEM device Specifications* for more information about the maximum voltage and current.

When the system powers on, the DIO channels are set as input low with pull-down resistors. To set another power-on state, you can configure the NI USB-7856R OEM device to load a VI when the system powers on. The VI can then set the DIO lines to any power-on state.

National Instruments recommends performing signal integrity measurements to test the effect of signal routing with the cable and connection accessory for your application.

LEDs

If you are putting the NI USB-7856R OEM device in an enclosure, you can either seat the optional lightpipes on the device or attach external LEDs, as described in the [Attaching External LEDs](#) section. When the lightpipes are attached, the top row is Error, USB Ready, and POWER LEDs, and the bottom row has the User LEDs.

The NI USB-7856R OEM device has six LEDs which reflect the device state.

Table 3. LED Descriptions

LED	Description	Location
POWER	Solid blue when the power is on	6
USB READY	Solid blue when the USB is ready	3

Table 3. LED Descriptions (Continued)

LED	Description	Location
ERROR	Solid red for error cases	2
USER1	Blue, user-defined	1
USER2	Blue, user-defined	4
USER3	Blue, user-defined	5

Attaching External LEDs

Seven connectors on the device in the E1 part —1, 2, 3, 4, 5, 6, and 7— allow you to connect an external LED circuit to the device, as shown in Figure 10.

For example, to connect an external USB READY LED, use 7 as the positive connection (+5 V) and 3 and the negative connection.

To connect the remaining LEDs, refer to Table 3.

National Instruments recommends that you limit the current to 10 mA per LED. You can limit this current by using external resistors, as shown in Figure 9.

Figure 9. External LEDs

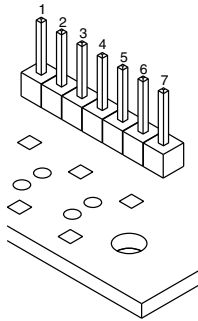
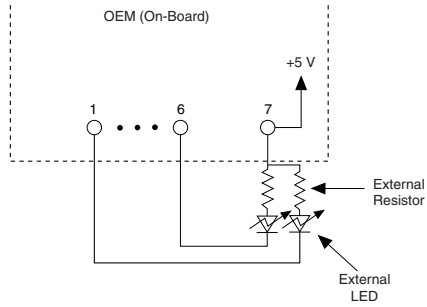


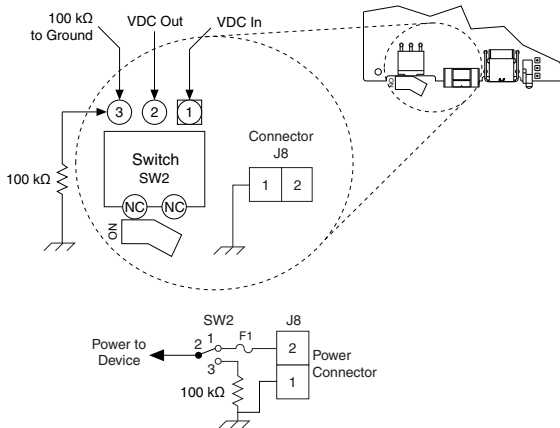
Figure 10. Attaching External LEDs



Power Switch

Use the power switch to power the NI USB-7856R OEM device on and off. The following figure shows the pins on the power switch and power circuitry.

Figure 11. Power Switch (Shown in the On Position)



The following table lists the pin locations and signal descriptions.

Table 4. Power Switch Pin Descriptions

Pin	Signal	Description
1	VDC In	Connects to VDC through a non-user replaceable fuse (reference designator F1). The VDC is the voltage provided by the power supply through pin 2 of the power connector (reference designator J8) and must be 9 V to 30 V, 20 W.
2	VDC Out	Provides power to the circuitry on the NI USB-7856R OEM device. When the switch is in the on position, the VDC power supply from pin 1 is routed to pin 2.
3	100 k Ω to Ground	Connects pin 2 to ground through a 100 k Ω resistor when the switch is in the off position.

+5 V Power Source

Use the +5 V terminals on the I/O connector supply +5 V referenced to DGND to power external circuitry.



Caution Never connect the +5 V power terminals to analog or digital ground or any other voltage source on the NI USB-7856R OEM device or any other device. Doing so can damage the device and the computer. National Instruments is not liable for damage resulting from such a connection.

The power rating is 4.75 to 5.1 VDC at 0.5 A.

Autonomous Mode

You can run the NI USB-7856R OEM device without a USB connection to a host computer using Autonomous Mode. To collect data the NI USB-7856R OEM device acquires in Autonomous Mode, you must reconnect the NI USB-7856R OEM device to a host computer.



Caution Data is lost and is not recoverable upon reconnection if a DMA FIFO overflows while the NI USB-7856R OEM device is disconnected from the host computer or if the NI USB-7856R OEM device loses power at any point.

Autonomous Mode includes the following capabilities.

Table 5. Autonomous Mode Capabilities

Capability	Description
Use the Open/Close FPGA Reference VI functions to run an FPGA VI and then disconnect the USB cable.	Call the Close FPGA VI Reference Function without aborting or resetting the FPGA VI before you disconnect the USB cable. ¹ After you disconnect the USB cable, any VI running on the NI USB-7856R OEM device continues to run and collect data, which can later be retrieved by reconnecting the USB cable and re-opening the original FPGA reference.
Use Interactive Front Panel Communication to run an FPGA VI and then disconnecting the USB cable.	The front panel indicators stop updating. After you disconnect the USB cable, any VI running on the NI USB-7856R OEM device continues to run. Restore the Interactive Front Panel Communication by reconnecting the USB cable.
Download the bitfile to flash memory and set it to run when loaded to FPGA.	Download the bitfile to flash memory and set it to run when loaded to FPGA. The bitfile automatically starts running whenever power is applied to the NI USB-7856R OEM device. To collect data, you must reconnect the NI USB-7856R OEM device to a host computer before powering off the device. Refer to the <i>LabVIEW FPGA Module Help</i> for more information about downloading an FPGA VI to the flash memory.

Worldwide Support and Services

The National Instruments website is your complete resource for technical support. At ni.com/support you have access to everything from troubleshooting and application development self-help resources to email and phone assistance from NI Application Engineers.

Visit ni.com/services for NI Factory Installation Services, repairs, extended warranty, and other services.

Visit ni.com/register to register your National Instruments product. Product registration facilitates technical support and ensures that you receive important information updates from NI.

National Instruments corporate headquarters is located at 11500 North Mopac Expressway, Austin, Texas, 78759-3504. National Instruments also has offices located around the world. For telephone support in the United States, create your service request at ni.com/support or

¹ The Host VI errors out if you do not call the Close FPGA VI Reference Function without aborting or resetting the FPGA VI.

dial 512 795 8248. For telephone support outside the United States, visit the *Worldwide Offices* section of ni.com/niglobal to access the branch office websites, which provide up-to-date contact information, support phone numbers, email addresses, and current events.

Refer to the *NI Trademarks and Logo Guidelines* at ni.com/trademarks for information on National Instruments trademarks. Other product and company names mentioned herein are trademarks or trade names of their respective companies. For patents covering National Instruments products/technology, refer to the appropriate location: **Help»Patents** in your software, the `patents.txt` file on your media, or the *National Instruments Patent Notice* at ni.com/patents. You can find information about end-user license agreements (EULAs) and third-party legal notices in the readme file for your NI product. Refer to the *Export Compliance Information* at ni.com/legal/export-compliance for the National Instruments global trade compliance policy and how to obtain relevant HTS codes, ECCNs, and other import/export data.

© 2013 National Instruments. All rights reserved.

374230A-01 Nov13