

## COMPREHENSIVE SERVICES

We offer competitive repair and calibration services, as well as easily accessible documentation and free downloadable resources.

## SELL YOUR SURPLUS

We buy new, used, decommissioned, and surplus parts from every NI series. We work out the best solution to suit your individual needs.

 Sell For Cash    Get Credit    Receive a Trade-In Deal

## OBSOLETE NI HARDWARE IN STOCK & READY TO SHIP

We stock **New**, **New Surplus**, **Refurbished**, and **Reconditioned** NI Hardware.



*Bridging the gap between the manufacturer and your legacy test system.*

 1-800-915-6216

 [www.apexwaves.com](http://www.apexwaves.com)

 [sales@apexwaves.com](mailto:sales@apexwaves.com)

*All trademarks, brands, and brand names are the property of their respective owners.*

**Request a Quote**

 **CLICK HERE**

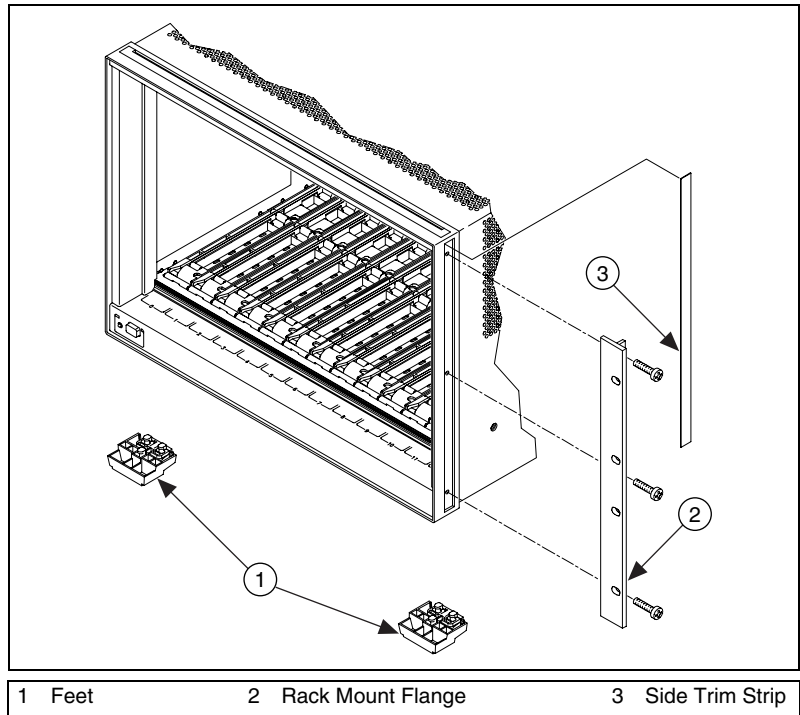
**VXI-1501**

## VXI-1501 FLANGE-ONLY KIT

This kit includes flanges and hardware for mounting the mainframe in a standard 19 in. rack.



**Caution** Do *not* rack mount the mainframe using only the flanges. The mainframe should be supported by either an optional slide kit (offered by National instruments as the Advanced Rack Mount Kit<sup>1</sup>), a rail kit (offered by National Instruments as the Basic Rack Mount Kit<sup>2</sup>), or a cabinet shelf.



Follow these steps to install the rack mount flanges:

1. Remove the side trim strips from the VXI-1501.
2. Attach the rack mount flanges with three screws per side (included with the kit).
3. Remove the front and rear feet.

<sup>1</sup> The Advanced Rack Mount Kit includes the handle and flange kit.

<sup>2</sup> The Basic Rack Mount Kit includes this flange-only kit.