

COMPREHENSIVE SERVICES

We offer competitive repair and calibration services, as well as easily accessible documentation and free downloadable resources.

SELL YOUR SURPLUS

We buy new, used, decommissioned, and surplus parts from every NI series. We work out the best solution to suit your individual needs.

 Sell For Cash  Get Credit  Receive a Trade-In Deal

OBSOLETE NI HARDWARE IN STOCK & READY TO SHIP

We stock **New**, **New Surplus**, **Refurbished**, and **Reconditioned** NI Hardware.



Bridging the gap between the manufacturer and your legacy test system.

 1-800-915-6216

 www.apexwaves.com

 sales@apexwaves.com

All trademarks, brands, and brand names are the property of their respective owners.

Request a Quote

 **CLICK HERE**

VXI-MXI

AT-MXI

User Manual



February 1994 Edition

Part Number 320339-01

**© Copyright 1992, 1994 National Instruments Corporation.
All Rights Reserved.**

National Instruments Corporate Headquarters

6504 Bridge Point Parkway

Austin, TX 78730-5039

(512) 794-0100

Technical support fax: (800) 328-2203

(512) 794-5678

Branch Offices:

Australia (03) 879 9422, Austria (0662) 435986, Belgium 02/757.00.20, Canada (Ontario) (519) 622-9310,
Canada (Québec) (514) 694-8521, Denmark 45 76 26 00, Finland (90) 527 2321, France (1) 48 14 24 24,
Germany 089/741 31 30, Italy 02/48301892, Japan (03) 3788-1921, Netherlands 03480-33466, Norway 32-848400,
Spain (91) 640 0085, Sweden 08-730 49 70, Switzerland 056/20 51 51, U.K. 0635 523545

Limited Warranty

The AT-MXI is warranted against defects in materials and workmanship for a period of one year from the date of shipment, as evidenced by receipts or other documentation. National Instruments will, at its option, repair or replace equipment that proves to be defective during the warranty period. This warranty includes parts and labor.

A Return Material Authorization (RMA) number must be obtained from the factory and clearly marked on the outside of the package before any equipment will be accepted for warranty work. National Instruments will pay the shipping costs of returning to the owner parts which are covered by warranty.

National Instruments believes that the information in this manual is accurate. The document has been carefully reviewed for technical accuracy. In the event that technical or typographical errors exist, National Instruments reserves the right to make changes to subsequent editions of this document without prior notice to holders of this edition. The reader should consult National Instruments if errors are suspected. In no event shall National Instruments be liable for any damages arising out of or related to this document or the information contained in it.

EXCEPT AS SPECIFIED HEREIN, NATIONAL INSTRUMENTS MAKES NO WARRANTIES, EXPRESS OR IMPLIED, AND SPECIFICALLY DISCLAIMS ANY WARRANTY OF MERCHANTABILITY OR FITNESS FOR A PARTICULAR PURPOSE. CUSTOMER'S RIGHT TO RECOVER DAMAGES CAUSED BY FAULT OR NEGLIGENCE ON THE PART OF NATIONAL INSTRUMENTS SHALL BE LIMITED TO THE AMOUNT THEREFORE PAID BY THE CUSTOMER. NATIONAL INSTRUMENTS WILL NOT BE LIABLE FOR DAMAGES RESULTING FROM LOSS OF DATA, PROFITS, USE OF PRODUCTS, OR INCIDENTAL OR CONSEQUENTIAL DAMAGES, EVEN IF ADVISED OF THE POSSIBILITY THEREOF. This limitation of the liability of National Instruments will apply regardless of the form of action, whether in contract or tort, including negligence. Any action against National Instruments must be brought within one year after the cause of action accrues. National Instruments shall not be liable for any delay in performance due to causes beyond its reasonable control. The warranty provided herein does not cover damages, defects, malfunctions, or service failures caused by owner's failure to follow the National Instruments installation, operation, or maintenance instructions; owner's modification of the product; owner's abuse, misuse, or negligent acts; and power failure or surges, fire, flood, accident, actions of third parties, or other events outside reasonable control.

Copyright

Under the copyright laws, this publication may not be reproduced or transmitted in any form, electronic or mechanical, including photocopying, recording, storing in an information retrieval system, or translating, in whole or in part, without the prior written consent of National Instruments Corporation.

Trademarks

LabVIEW® and NI-VXI™ are trademarks of National Instruments Corporation.

Product and company names listed are trademarks or trade names of their respective companies.

Warning Regarding Medical and Clinical Use of National Instruments Products

National Instruments products are not designed with components and testing intended to ensure a level of reliability suitable for use in treatment and diagnosis of humans. Applications of National Instruments products involving medical or clinical treatment can create a potential for accidental injury caused by product failure, or by errors on the part of the user or application designer. Any use or application of National Instruments products for or involving medical or clinical treatment must be performed by properly trained and qualified medical personnel, and all traditional medical safeguards, equipment, and procedures that are appropriate in the particular situation to prevent serious injury or death should always continue to be used when National Instruments products are being used. National Instruments products are NOT intended to be a substitute for any form of established process, procedure, or equipment used to monitor or safeguard human health and safety in medical or clinical treatment.

FCC/DOC Radio Frequency Interference Compliance

This equipment generates and uses radio frequency energy and, if not installed and used in strict accordance with the instructions in this manual, may cause interference to radio and television reception. This equipment has been tested and found to comply with the following two regulatory agencies:

Federal Communications Commission

This device complies with Part 15 of the Federal Communications Commission (FCC) Rules for a Class A digital device. Operation is subject to the following two conditions:

1. This device may not cause harmful interference in commercial environments.
2. This device must accept any interference received, including interference that may cause undesired operation.

Canadian Department of Communications

This device complies with the limits for radio noise emissions from digital apparatus set out in the Radio Interference Regulations of the Canadian Department of Communications (DOC).

Le présent appareil numérique n'émet pas de bruits radioélectriques dépassant les limites applicables aux appareils numériques de classe A prescrites dans le règlement sur le brouillage radioélectrique édicté par le ministère des communications du Canada.

Instructions to Users

These regulations are designed to provide reasonable protection against harmful interference from the equipment to radio reception in commercial areas. Operation of this equipment in a residential area is likely to cause harmful interference, in which case the user will be required to correct the interference at his own expense.

There is no guarantee that interference will not occur in a particular installation. However, the chances of interference are much less if the equipment is installed and used according to this instruction manual.

If the equipment does cause interference to radio or television reception, which can be determined by turning the equipment on and off, one or more of the following suggestions may reduce or eliminate the problem.

- Operate the equipment and the receiver on different branches of your AC electrical system.
- Move the equipment away from the receiver with which it is interfering.
- Reorient or relocate the receiver's antenna.
- Be sure that the equipment is plugged into a grounded outlet and that the grounding has not been defeated with a cheater plug.

Notice to user: Changes or modifications not expressly approved by National Instruments could void the user's authority to operate the equipment under the FCC Rules.

If necessary, consult National Instruments or an experienced radio/television technician for additional suggestions. The following booklet prepared by the FCC may also be helpful: *How to Identify and Resolve Radio-TV Interference Problems*. This booklet is available from the U.S. Government Printing Office, Washington, DC 20402, Stock Number 004-000-00345-4.

Contents

About This Manual	xi
Organization of the AT-MXI User Manual	xi
Conventions Used in This Manual	xii
How to Use This Manual	xii
Related Documentation	xii
Customer Communication	xii
Chapter 1	
Introduction to MXIbus	1-1
Overview	1-1
The Need for MXIbus	1-1
VXI Connection	1-2
MXIbus Applications	1-3
MXIbus – An Open Standard.....	1-5
MXIbus Operation	1-5
MXIbus Signals.....	1-5
MXIbus Cables	1-5
MXIbus Termination.....	1-7
MXIbus Performance	1-7
Data Transfer Rates	1-8
MXIbus Data Rates	1-8
Local Performance	1-9
Chapter 2	
General Information	2-1
Overview	2-1
What Your Kit Should Contain.....	2-2
Optional Hardware	2-3
Optional Software	2-3
Chapter 3	
Configuration and Installation	3-1
Step 1. Unpack the AT-MXI.....	3-1
Step 2. Configure the AT-MXI.....	3-1
Switch and Jumper Settings	3-3
Base I/O Address Selection.....	3-3
Interrupt Level Selection.....	3-6
DMA Channel Selection	3-8
Master Mode Versus Slave Mode	3-8
MXIbus Termination Option	3-10
Step 3. Install the AT-MXI	3-12
Step 4. Connect the AT-MXI to the MXIbus.....	3-13

Chapter 4
Register Descriptions 4-1

- Register Map 4-1
 - Register Description Format 4-3
 - Slave Mode Address Register 4-4
 - Slave Mode Address Mapping Register 4-6
 - Master Mode Address Page Register 4-8
 - Master Mode Address Modifier and Enable Register 4-9
 - Signal Register 4-12
 - Board Status Register 4-13
 - Board Control Register 4-17
 - Slave Mode Timer Register 4-21
 - Master Mode Timer Register 4-22
 - System Controller Timer Register 4-23
 - Timer Control Register 4-24

Chapter 5
Programming Considerations 5-1

- Initialization 5-1
 - Initializing the Timers 5-1
 - Programming the AT-MXI to be the MXIbus System Controller 5-3
 - Initializing the AT-MXI for Slave-Mode Operation 5-3
 - Initializing the Master-Mode Window 5-4
- Master-Mode Operation 5-5
 - Paging 5-6
 - Deadlock 5-7
 - Timing Incompatibilities 5-8
 - Performing MXIbus Block-Mode Transfers 5-8
 - Using a Processor for MXIbus Blocks 5-9
 - Using the System DMA Controller for MXIbus Blocks 5-9
 - Performing MXIbus Indivisible Transfers 5-10
 - Channel I/O Transfers 5-10
 - Read-Modify-Write Cycles 5-11
 - Locking the MXIbus 5-11
- Slave-Mode Operation 5-12
 - Locking the PC AT Bus 5-12
- Using the AT-MXI Communication Registers 5-13
- AT-MXI Interrupts 5-15

Chapter 6
Theory of Operation 6-1

- AT-MXI Functional Description 6-1
 - MXIbus Terminators 6-3
 - System Controller Logic 6-3
 - Address Modifier, Address/Data, MXIbus Control Transceivers 6-3
 - Master-Mode Address Modifier Register 6-3
 - Slave-Mode Address Latch/Counter 6-3
 - Slave-Mode Address Decoder 6-4
 - Slave-Mode Offset Register 6-4
 - Slave-Mode State Machine 6-4
 - Master-Mode Address Latch 6-4
 - Master-Mode Address Decoder 6-4

Master-Mode Address Page Register	6-5
Master-Mode State Machine	6-5
Parity Generator/Checker	6-5
Data Latch/Byte Swapper	6-5
Communication Registers	6-5
Interrupt Circuitry	6-5
PC AT Address, Data and Control Transceivers	6-6
Master-Mode Operation	6-6
MXIbus Arbitration.....	6-6
MXIbus Address Broadcast	6-7
Master-Mode Data Transfer	6-8
Master-Mode Cycle Termination.....	6-9
Slave-Mode Operation	6-10
Slave-Mode Address Mapping.....	6-10
PC AT Bus Arbitration	6-10
Slave-Mode Data Transfer	6-11
Slave-Mode Block Transfers	6-12
Slave-Mode Cycle Termination	6-12
Appendix A	
Specifications	A-1
Appendix B	
Mnemonics	B-1
Appendix C	
MXIbus Connector Description	C-1
Appendix D	
Customer Communication	D-1
Glossary	Glossary-1
Index	Index-1

Figures

Figure 1-1.	Comparison of Data Transfer Rates	1-2
Figure 1-2.	PC Using MXI to Control VXIbus or VMEbus	1-3
Figure 1-3.	MXI Used for Multiple Mainframe VXIbus or VMEbus System	1-4
Figure 1-4.	MXI Used for High-Speed Shared-Memory Network	1-4
Figure 1-5.	MXIbus Multi-Drop Cable Assembly	1-6
Figure 2-1.	AT-MXI Interface Board	2-1
Figure 3-1.	AT-MXI Parts Locator Diagram	3-2
Figure 3-2.	Base I/O Address Switch Settings	3-4
Figure 3-3.	Board and MXIbus Interrupt Jumper Settings	3-7
Figure 3-4.	DMA Channel Settings	3-10
Figure 3-5.	MXIbus Terminating Networks	3-11
Figure 6-1.	AT-MXI Block Diagram	6-2
Figure 6-2.	Byte-Swapping Circuitry	6-8
Figure C-1.	MXIbus Connector	C-1

Tables

Table 3-1.	AT-MXI Factory Default Settings and Optional Configurations	3-3
Table 3-2.	Possible Base I/O Address Settings for the AT-MXI	3-5
Table 4-1.	AT-MXI Register Map	4-2
Table 4-2.	Address Modifier Codes	4-10
Table 5-1.	AT-MXI Timers	5-2
Table 6-1.	PC AT Control Signals and MXIbus Control Signals	6-7
Table 6-2.	Slave-Mode Transfer Types on the AT-MXI	6-11
Table C-1.	MXIbus Connector Signal Assignments	C-1
Table C-2.	MXIbus Signal Groupings	C-2

About This Manual

The *AT-MXI User Manual* describes the functional, physical, and electrical aspects of the AT-MXI and contains information concerning its operation and programming.

Organization of the *AT-MXI User Manual*

The *AT-MXI User Manual* is organized as follows:

- Chapter 1, *Introduction to MXI*, is a tutorial of MXIbus concepts.
- Chapter 2, *General Information*, contains an overview of the functionality of the AT-MXI interface board, shows a picture of the AT-MXI board, and lists the contents of your kit and available optional equipment.
- Chapter 3, *Configuration and Installation*, describes the procedures for unpacking, configuring, and installing your AT-MXI interface board.
- Chapter 4, *Register Descriptions*, contains detailed information on the use of the AT-MXI registers that are accessible via the PC AT bus using I/O operations.
- Chapter 5, *Programming Considerations*, contains information on how to program the AT-MXI interface registers.
- Chapter 6, *Theory of Operation*, contains a functional block diagram of the AT-MXI, a brief description of the major elements of the interface board, and a detailed description of both master-mode and slave-mode operation.
- Appendix A, *Specifications*, lists various module specifications of the AT-MXI, such as physical dimensions and power requirements.
- Appendix B, *Mnemonics Key*, contains an alphabetical listing of mnemonics used in this manual to describe signals, registers, and register bits. Refer also to the *Acronyms* section later in this Preface.
- Appendix C, *MXIbus Connector Description*, describes the connector pin assignments for the MXIbus connector.
- Appendix D, *Customer Communication*, contains forms for you to complete to facilitate communication with National Instruments concerning our products.
- The *Glossary* contains an alphabetical list and description of terms used in this manual, including abbreviations, acronyms, metric prefixes, and symbols.
- The *Index* contains an alphabetical list of key terms and topics used in this manual, including the page where each one can be found.

Conventions Used in This Manual

The following conventions are used in this manual.

italic Italic text denotes emphasis, a cross reference, or an introduction to a key concept.

monospace Txt in this font denotes sections of code.

bold italic Bold italic text denotes a note, caution, or warning.

Abbreviations, acronyms, metric prefixes, symbols, and terms are listed in the *Glossary*.

How to Use This Manual

You should begin with Chapter 1 to gain an understanding of MXIbus concepts. This chapter explains how MXIbus devices attach together and communicate with each other. Chapter 2 contains a general overview about the AT-MXI board. Chapter 3 contains information on how to configure and install your AT-MXI into an AT-based computer. Chapters 4 and 5 contain information you will need to program your AT-MXI. You can skip these chapters if you are using a compatible National Instruments software package because the software routines perform these functions automatically. Chapter 6 contains more technical information on the use of the AT-MXI.

Related Documentation

The following manuals contain information that you may find helpful as you read the *AT-MXI User Manual*:

- *Multisystem Extension Interface Bus Specification*, Version 1.2 (part number 340007-01)
- *VXIbus System Specification*, Revision 1.4, VXIbus Consortium (available from National Instruments, part number 350083-01)

Customer Communication

National Instruments wants to receive your comments on our products and manuals. We are interested in the applications you develop with our products, and we want to help if you have problems with them. To make it easy for you to contact us, this manual contains comment and configuration forms for you to complete. These forms are in Appendix D, *Customer Communication*, at the end of this manual.

Chapter 1

Introduction to MXIbus

Overview

The MXIbus (Multisystem Extension Interface Bus) is a high-performance communication link that interconnects devices using round, flexible cables. MXI operates like modern backplane computer buses, but is a cabled communication link for very high-speed communication between physically separate devices. The emergence of the VXIbus inspired MXI. National Instruments, a member of the VXIbus Consortium, recognized that VXI requires a new generation of connectivity for the instrumentation systems of the future. National Instruments developed the MXIbus specification over a period of two years and announced it in April 1989 as an open industry standard.

You can use MXIbus interface products in a variety of platforms, including the VXIbus and VMEbus backplane systems, and the IBM PC AT, EISA, PS/2, Sun SPARCstation, DECstation 5000, RISC System/6000, and Macintosh computer systems. MXIbus products directly and transparently couple these industry-standard computers to the VXIbus and the VMEbus backplanes. They also transparently extend VXI/VME across multiple mainframes, and seamlessly integrate external devices that cannot physically fit on a plug-in module into a VXI/VME system.

The Need for MXIbus

Modern PCs and engineering workstations have evolved to the point that today, sophisticated I/O architectures can move data at rates exceeding 10 Mbytes/s. At the same time, modern peripherals such as color scanners and printers, and instruments such as digitizers, logic analyzers, and digital test subsystems generate vast amounts of data at ever increasing data rates. The capabilities of MXI have become increasingly useful for applications that use these data-intensive peripherals.

Clearly the I/O capabilities of modern PCs and workstations can handle data-intensive instrumentation applications. However, the industry has lacked a standard communication link that interconnects devices so that they can operate at full speed across the connection. The worldwide GPIB standard, which was initially designed in the mid 1960s, is relatively slow. Some of the latest networks have higher burst data rates than GPIB, but are not appropriate for real-time, data-intensive applications because their heavy protocol overhead is geared for efficient passing of small message packets.

A memory-mapped communication system that transparently extends bus-level I/O transactions between systems is an ideal solution. It eliminates software protocol overhead altogether, provides direct control and shared memory between devices, and matches the data rates of high-performance computers and peripherals. The MXIbus is such a communication system.

Figure 1-1 shows a comparison of MXIbus transfer data rates against those of RS-232 and GPIB.

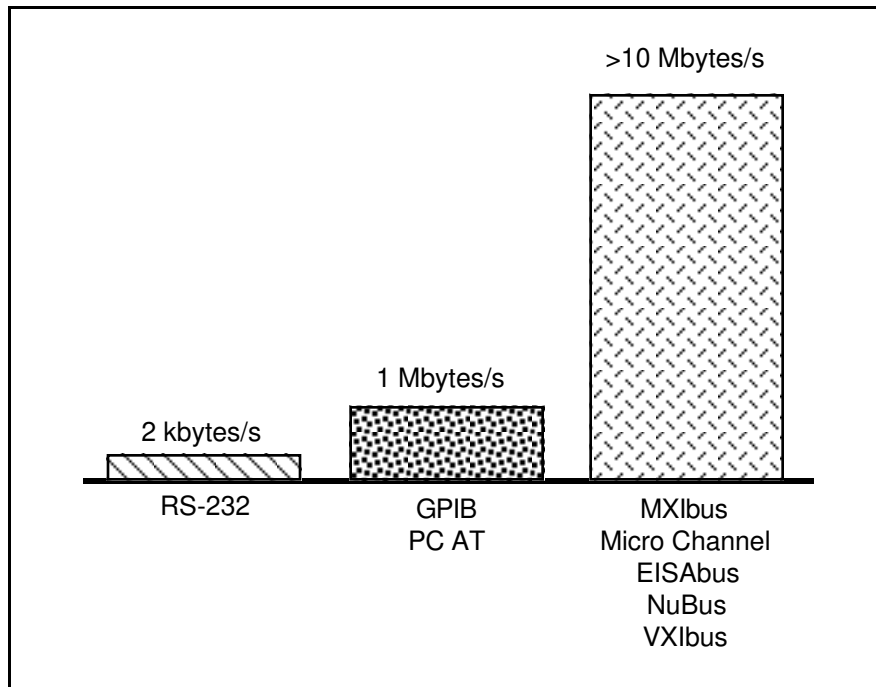


Figure 1-1. Comparison of Data Transfer Rates

VXI Connection

Many VXI users migrate from GPIB-based systems. As a result, a GPIB-to-VXI interface such as the National Instruments GPIB-VXI is a popular way to control VXI instruments from a GPIB controller. An increasingly popular way to control VXI, however, is to use a custom VXI computer that plugs directly into the VXI mainframe. This *embedded* approach is technically attractive because the computer communicates directly with the VXIbus and is tightly coupled to the instruments.

An embedded computer is very powerful, but custom VXI computers cannot possibly keep pace with the general-purpose computer market. In the last decade, specialized instrument controllers have rapidly declined. General-purpose PCs and workstations, with their vast array of software and accessories, have revolutionized our industry. By using general-purpose computers, the instrumentation industry directly benefits from the billions of dollars spent each year in the general computer market.

For VXI to truly become the platform for the 90s, it must align itself with the powerful general computer market. This will enable VXI to take advantage of the billions of dollars being spent and bring this investment to bear on the needs of the instrumentation community. VXI must be able to take full advantage of industry-standard PCs, such as the PC AT, PS/2, Macintosh, and EISA computers, as well as workstations from Sun, DEC, IBM, and others. VXI also must have a transparent mechanism for extending to multiple mainframes, and a way to accommodate instruments that can not physically fit on a VXI module. MXIbus meets each of these needs.

MXIbus Applications

A computer, instrument, or other device with a MXI interface is called a MXI device. Typically, MXI devices are systems or instruments that have a MXI interface board installed. Most MXI devices have their own internal system bus for internal communication. The MXI interface board interfaces this internal bus to or from the MXIbus.

Many MXI products have been developed for VXI applications. MXI gives external computers direct control of the VXIbus, as if they were embedded in the VXI mainframe. A VXI-to-MXI mainframe extender can extend VXI to multiple mainframes. Software is also available for VXI programming.

VME systems are another target application for MXI products. You can use VME interface kits to directly control the VMEbus, and a VME-to-MXI chassis extender to extend VME for multiple-chassis configurations. Software is available for VME programming.

In addition to VXI and VME applications, you can use MXI interface products in a variety of general-purpose, computer-to-computer applications. You can mix and match MXI products to interconnect any number of MXI devices for very high-performance communication. For example, MXI can connect PC AT, EISA, PS/2, SunSPARCstation, DECstation 5000, RISC System/6000, Macintosh, and other computers and workstations for a very high-speed, shared-memory network. You can order MXI computer interfaces individually. The hardware documentation has comprehensive register descriptions that show how to configure the MXI interfaces programmably to establish such a shared-memory network.

Figures 1-2, 1-3, and 1-4 show three examples of MXIbus applications.

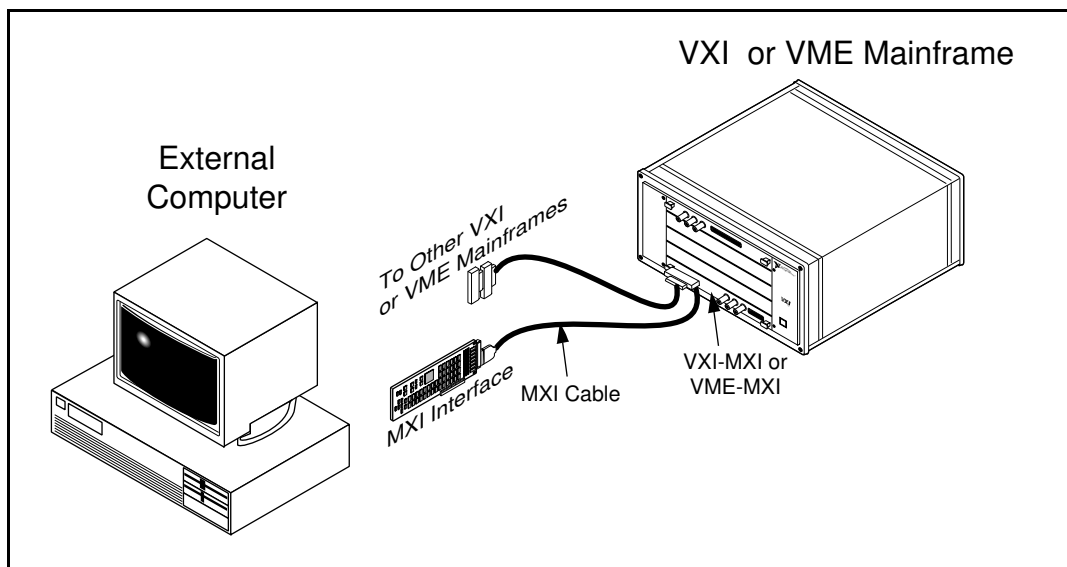


Figure 1-2. PC Using MXI to Control VXIbus or VMEbus

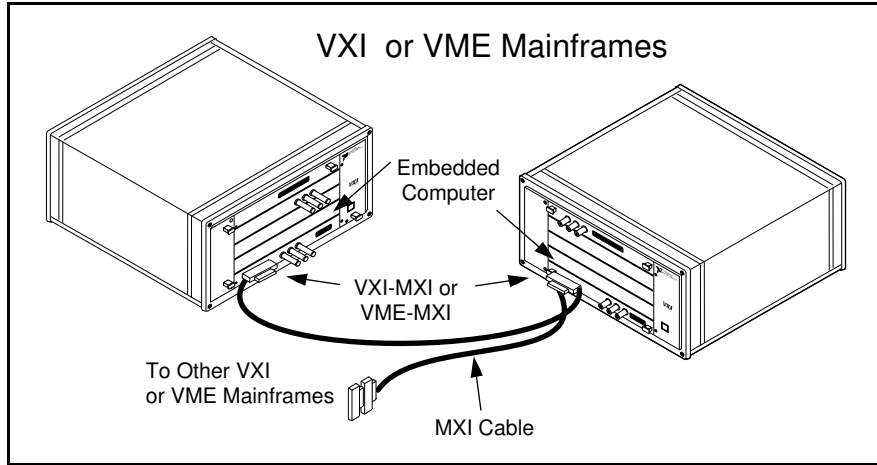


Figure 1-3. MXI Used for Multiple Mainframe VXIbus or VMEbus System

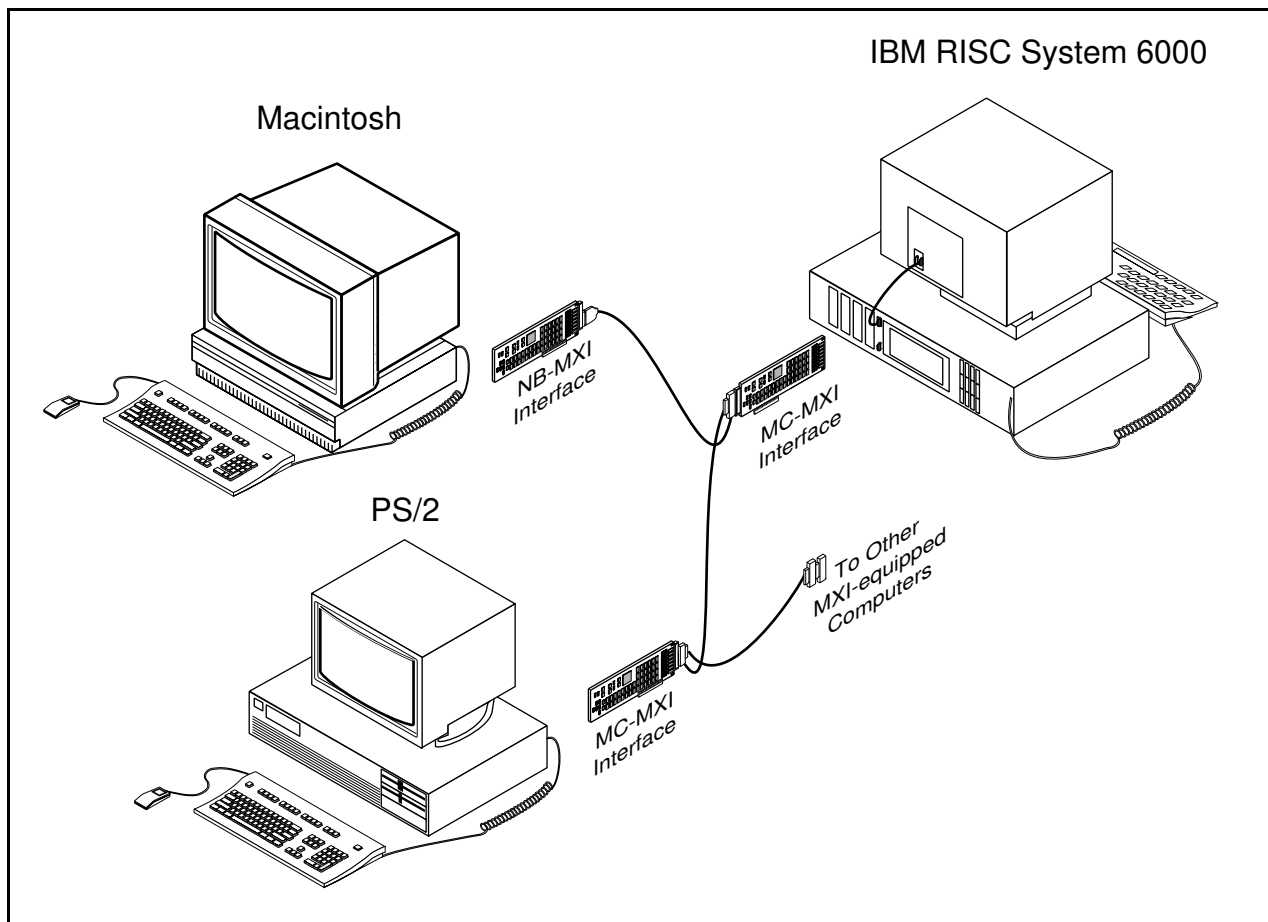


Figure 1-4. MXI Used for High-Speed Shared-Memory Network

MXIbus – An Open Standard

Because MXI is an open industry standard, documented with a comprehensive specification, you can design MXI interfaces for your own devices. In this way, your proprietary peripherals or instruments can use MXI to connect to industry-standard computers or to a VXI or VME system. Several third-party companies have successfully used the MXI specification to develop their own MXI interfaces. National Instruments distributes the MXI specification, and will be pursuing formal MXI standardization.

MXIbus Operation

MXIbus is a general-purpose, 32-bit, multimaster system bus on a cable. MXI interconnects multiple devices with flexible, round cables similar to GPIB, but uses a hardware memory-mapped communication scheme that eliminates all software overhead. MXI is very similar to the VMEbus itself, and can be described as a *backplane bus on a cable*. You can daisy-chain up to eight MXI devices together.

MXIbus tightly couples multiple devices by mapping together portions of their individual address spaces. In other words, MXI devices connect at the hardware level, and operate as if they are a single system with a shared address space. MXI devices can directly access each other's resources by performing simple reads and writes to appropriate address locations, thus requiring no software protocol.

Each MXIbus hardware interface has *address window* circuitry that detects internal bus cycles that map out to the MXIbus. Likewise, the circuitry also detects external MXIbus cycles whose address maps into the system. When a hardware write or read occurs with an address that maps across MXI, the MXI hardware interlocks the bus cycle between the devices across the MXIbus. This hardware scheme matches the system used by embedded VXI computers to access VXI.

MXIbus Signals

The MXI connector is a single, rugged, high-density, 62-pin D-subminiature connector. MXIbus signals include 32 multiplexed address and data lines with parity, address modifiers for multiple address spaces, single-level multimaster prioritized bus arbitration, a single interrupt line, a bus error line for handling timeouts and deadlock conditions, and handshake lines for asynchronous operation. You can perform data transfers of 8, 16, and 32 bits, as well as indivisible read/write operations and integrated block-mode transfers. The maximum data rate for MXIbus is 20 Mbytes/s.

MXIbus Cables

There are two basic types of MXIbus cables. One type of MXIbus cable is a point-to-point cable with a single connector on each end. The other type of MXIbus cable is known as a multi-drop cable, and has a single connector on one cable end and a double connector on the other end. A MXIbus system consists of two or more MXIbus devices connected in a daisy-chain fashion. Every MXIbus system has one MXI device that acts as the MXIbus System Controller. The MXIbus System Controller must be the first device in the daisy-chain (requiring it to have a single connector cable end). Subsequent devices will have the double connector end.

Figure 1-5 is a diagram of the multi-drop type of cable assembly used in a daisy-chained MXIbus system. You can daisy-chain additional devices to the double connector to propagate the bus. Use a MXIbus cable with a single connector on each end when the system contains only two MXI devices or when you are connecting the last cable section in the daisy-chain.

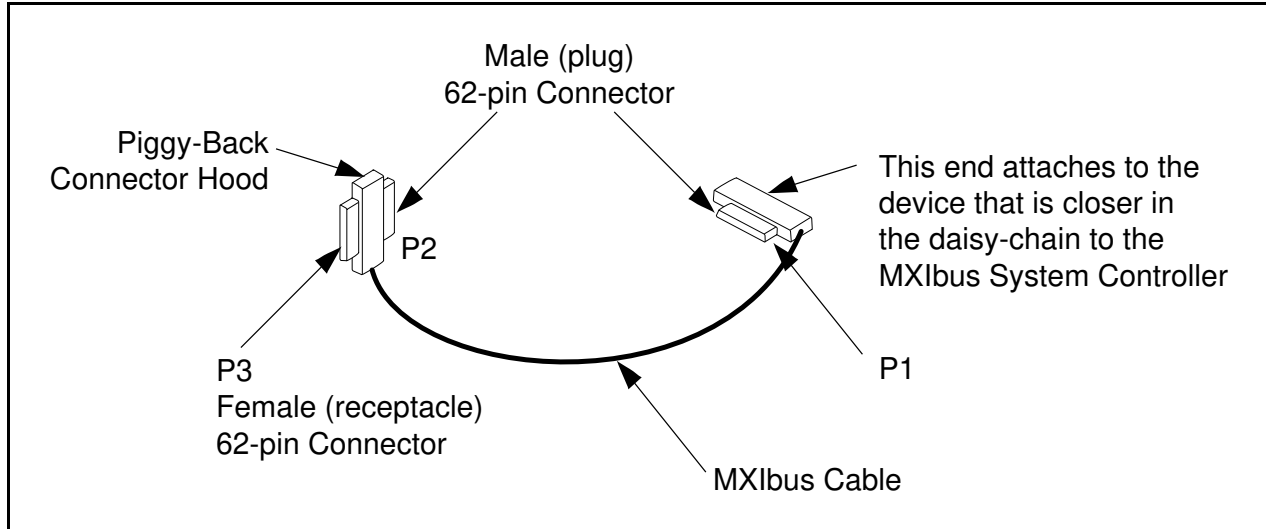


Figure 1-5. MXIbus Multi-Drop Cable Assembly

A single MXI cable can be any length up to 20 m. If multiple MXI devices are daisy-chained together, the total cable distance must be no more than 20 m. The MXI cable is a flexible, round cable similar to a GPIB cable (about 0.6 in. in diameter). Internally there are 48 single-ended, twisted-pair signal lines. Double shielding with an aluminum mylar shield as well as a copper braid shield eliminates any EMI problems. The stacking depth of two daisy-chained MXI cables is approximately 3.4 in.

MXI is essentially a backplane bus on a cable. Each MXI signal line is twisted with its own ground line. All MXIbus signal lines have matched impedance to minimize signal skew and reflections. Limiting stub lengths to no more than 4 in. off the mainline interconnection minimizes reflections due to impedance discontinuities. You must have termination networks at the first and last MXIbus devices to minimize reflections at the ends of cables.

MXI uses state-of-the-art, single-ended, trapezoidal bus transceivers to reduce noise crosstalk in the transmission system. Designed specifically for driving backplane bus signals, these transceivers have open-collector drivers that generate precise trapezoidal waveforms with typical rise and fall times of 9 ns. The trapezoidal shape, due to the constant rise and fall times, reduces noise coupling (crosstalk) on adjacent lines. The receiver uses a lowpass filter to remove noise and a high-speed comparator that recognizes the trapezoidal-shaped signal from the noise.

MXIbus Termination

The MXIbus requires that the first and last devices in the daisy-chain have a termination network. Two basic types of termination networks are available. Some MXIbus devices have onboard termination schemes that should be enabled on the end devices of the daisy-chain. You can also use external terminating packs for easy system reconfiguration and for MXIbus devices that lack onboard terminating networks. MXIbus devices other than the two end devices should *not* have an external terminating pack and must have any onboard terminating networks defeated. Also, each end device must have only one of these termination options.

MXIbus Performance

It is often difficult to understand how a performance specification for a single component relates to the overall performance of your system. In the case of MXI, it is important to understand not only the performance issues associated with the MXI link, but also the devices that communicate across the link. MXI works exactly like an embedded computer, using a direct hardware memory-map to eliminate software overhead between your computer and the VXIbus or VMEbus. Both MXI and embedded VXI computers can use shared memory communication protocols and direct register accesses for potentially dramatic performance improvements over GPIB. If your VXI instruments themselves do not use these capabilities, however, your system performance using MXI or an embedded computer may be no higher than a GPIB-controlled VXI system.

There are several factors to consider when comparing a MXI-equipped computer to an embedded computer. A MXI-equipped computer is functionally equivalent to an embedded computer. In fact, application software developed on a MXI computer can execute on an embedded computer and vice versa. There are subtle hardware timing differences, but there is no dramatic performance difference because of architecture. MXI, for example, can take approximately 100 ns more to perform a single VXI read or write than an embedded computer, because the MXI signals must propagate down the MXI cable at 10 ns/m, and the signals must be synchronized by each device involved in the transfer. This is negligible compared to the other factors that affect your system performance, such as the execution speed of your application software or your instruments.

Often, the most important performance issue to consider when evaluating a computer for your system is the performance of the processor itself. Most applications spend much more time computing, displaying, or performing disk I/O than actually performing I/O across the VXIbus or VMEbus. Current external MXI computers are over four times as fast as the fastest embedded VXI computer. In addition, because of the physical space constraints of embedded computers, external computers often have much more sophisticated architectures with faster processors, cache RAM, faster disk drives, and other benefits. Raw computing power can be the single most important consideration for the performance of your system.

Data Transfer Rates

A common benchmark for VXI computers is the *Block Data Rate*. This benchmark is easy for vendors to isolate and measure under ideal conditions. It is important to understand what Block Data Rate means to your application. Block Data Rate is the rate at which you can move a large block of data to or from memory on an ideal VXI device using back-to-back VXI transfers. It does not measure how fast the computer can process the blocks of data or store them to disk once they are moved, or whether your instruments themselves can actually support that data rate. Most applications are not limited by the Block Data Rate of the VXI interface hardware, but rather by the total time required to both move and handle the data, or by the rate at which the instruments themselves can generate or accept the data.

Block Data Rate is easy for vendors to specify, but often difficult for users to relate to overall system performance. It is only one of many elements that affect the actual throughput of your system. For example, Block Data Rate does not indicate the processing power of your computer or the performance of the instruments themselves. In addition, a benchmark for Block Data Rate does not measure how fast you can control instruments using VXI Word Serial Protocol or random VXI reads and writes. The speed for Word Serial communication and random VXI reads and writes is dependent on the speed of the processor and the particular VXI instruments.

MXIbus Data Rates

The theoretical maximum Block Data Rate for MXI is 20 Mbytes/s. As with any bus, the performance of a particular MXI interface depends on the actual design implementation for that interface. All National Instruments MXI user manuals contain a *Specifications* appendix, in which you will find both the single (random access) and block transfer rates for their respective devices. You can think of these values as a propagation delay and use them to calculate the transfer time of your system. To determine the MXI cycle time, add the appropriate master rating of the device that will initiate the MXI transfer to the appropriate slave rating of the device that will accept the MXI transfer.

The read/write access time of your remote system and the length of your MXI cable affect the actual data transfer rate you can achieve. To determine the actual data transfer data rate to expect with a particular device, consider the following equation:

$$\text{Data Rate (bytes/s)} = \frac{\text{Transfer Width (bytes)}}{\text{Transfer Time (s)}}$$

where Transfer Width equals the number of bytes per transfer, and the Transfer Time equals the sum of five components:

- MXI Master Mode time
- MXI Slave Mode time
- Bus access time of the remote system
- Recovery time of the local system (the time it takes the system to generate the next cycle from an acknowledgement of the previous cycle)
- MXI cable propagation time

The MXI cable propagation time is 10 ns/m.

For example, consider the National Instruments VXI-AT2000 kit. The MXI Master Mode time of the AT-MXI is 190 ns for block reads and the MXI Slave Mode time of the VXI-MXI is 240 ns for block reads. Therefore, if your actual application uses a 2 m MXI cable (20 ns MXI cable propagation time) and your VXI device has a bus access time of 100 ns, then the total transfer time for a single read during a block is 550 ns (assuming a 0 ns recovery time for the local system).

Note: *The following calculations assume a 0 ns recovery time. Thus, the block data rate computed below is the theoretical maximum. Once you determine your system recovery time, use that value with these calculations to determine the actual block data rate for your system.*

Assuming that your VXI device is a 16-bit (2 bytes/transfer) device, your expected Block Read Data Rate to that VXI device using the VXI-AT2000 is 3.64 Mbytes/s as calculated by the following formula:

$$\text{Block Data Rate} = \frac{2 \text{ bytes/transfer}}{550 \text{ ns/transfer}} = 3.64 \text{ Mbytes/s}$$

Local Performance

The MXIbus does not degrade the performance of the devices connected to it. Each MXI device can operate internally at full speed in parallel with other MXI devices. Because MXIbus is a true system bus with multimaster arbitration, the only time MXI devices must synchronize their operation is when they perform transactions that map across the MXIbus. When one MXI device performs a read or write that maps to a remote MXI device, the MXI hardware on both devices interlocks the bus cycle across the MXIbus to accomplish the transfer.

Chapter 2

General Information

This chapter contains an overview of the functionality of the AT-MXI interface board, shows a picture of the AT-MXI board, and lists the contents of your kit and available optional equipment.

The AT-MXI is an interface board that links an IBM Personal Computer AT or compatible computer (hereafter referred to as the PC AT) directly to the MXIbus. It uses address mapping to translate bus cycles on the PC AT bus to the MXIbus and vice versa. Figure 2-1 shows the AT-MXI interface board.



Figure 2-1. AT-MXI Interface Board

Overview

The AT-MXI can function as both a MXIbus master and a MXIbus slave. When operating as a MXIbus master, the AT-MXI converts PC AT memory cycles initiated by the CPU or an alternate bus master on the PC AT bus into MXIbus cycles intended for a MXIbus slave device. When operating as a MXIbus slave, the AT-MXI converts MXIbus cycles initiated by a MXIbus master into PC AT memory or I/O bus cycles so that other MXIbus devices can freely access (share) resources within the PC AT.

As a MXIbus master, the AT-MXI supports 32-bit (A32), 24-bit (A24) and 16-bit (A16) addressing. As a MXIbus slave, the AT-MXI supports A24 addressing to PC AT memory and A16 addressing to the AT-MXI communication registers and to the PC AT I/O space. The AT-MXI supports both 16-bit (D16) and 8-bit (D08) data transfers while operating as either a MXIbus master or a MXIbus slave. The AT-MXI cannot support 32-bit (D32) data transfers because the PC AT data bus is only 16 bits wide.

Because the AT-MXI uses the same communication register set that is used by VXIbus Message-Based devices, other MXIbus devices can view the AT-MXI as a VXIbus device. The following are some of the numerous benefits that can result from using the VXIbus register architecture:

- Dynamic device identification and configuration during system initialization
- Standardized Word Serial communication between devices
- Dynamic resource (memory) allocation
- Message (signal) passing protocols between devices
- Shared memory architectures

The AT-MXI supports MXIbus block-mode transfers while operating as either a MXIbus master or a MXIbus slave. With block-mode transfers, data located in consecutive memory locations can be transferred at higher rates because MXIbus addressing information is not sent with each data transfer. The AT-MXI supports the use of the direct memory access (DMA) controller on the PC AT computer when transferring block-mode data between the PC AT bus and the MXIbus. Optionally, any MXIbus or PC AT bus master can be used to initiate and transfer block-mode data via the AT-MXI.

In addition to these features, the AT-MXI is also able to function as the MXIbus System Controller and can terminate the MXIbus signals directly on the AT-MXI interface board. The AT-MXI also supports the MXIbus arbitration lock and fairness options.

What Your Kit Should Contain

Your AT-MXI kit should contain the following components:

Kit Component	Part Number
AT-MXI Interface Board	180775-01
<i>AT-MXI User Manual</i>	320339-01

Optional Hardware

Cables	Part Number
Type M1 MXIbus Cables Straight Point-to-Point Connectors: <ul style="list-style-type: none"> – 1 m – 2 m – 4 m – 8 m – 20 m 	180758-01 180758-02 180758-04 180758-08 180758-20
Type M2 MXIbus Cables Straight Point-to-Right Angle Daisy-Chain Connectors: <ul style="list-style-type: none"> – 1 m – 2 m – 4 m – 8 m – 20 m 	180760-01 180760-02 180760-04 180760-08 180760-20
Type M3 MXIbus Cables Right Angle Point-to-Right Angle Daisy-Chain Connectors: <ul style="list-style-type: none"> – 1 m – 2 m – 4 m – 8 m – 20 m 	180761-01 180761-02 180761-04 180761-08 180761-20
MXIbus Terminating Pac (External)	180780-01
MXIbus Connector Extender	181663-01

Optional Software

Your AT-MXI is shipped without interface software. This manual contains complete instructions for programming the AT-MXI directly. You can order various software packages from National Instruments for programming and controlling the AT-MXI.

You can use the AT-MXI with LabWindows, an innovative program development software package for test and measurement applications. LabWindows enhances Microsoft QuickBASIC and C with an interactive development environment, function panels to generate source code, and libraries for data acquisition, instrument control, and data analysis and presentation. LabWindows for DOS is available for programming in C or BASIC. LabWindows/CVI is a complete, full-function C programming environment for PC-compatible computers running Windows.

You can also use the AT-MXI with LabVIEW, a complete programming environment with a unique graphical methodology. LabVIEW departs from the sequential nature of traditional programming languages and features a graphical programming environment and all the tools needed for data acquisition, analysis, and presentation. LabVIEW matches the modular virtual instrument capability of VXI, and can reduce your VXIbus software development time. LabVIEW packages are available for PC-compatible computers running either Windows or Windows NT.

The AT-MXI can also be used with the NI-VXI bus interface software package, a comprehensive software package for configuring, programming, and troubleshooting a VXI system. NI-VXI features a standardized set of utilities and C library functions that give you simple, low-level access to other MXIbus devices. NI-VXI is available across many different operating system platforms.

The following table lists the application software packages and the NI-VXI bus interface software packages you can order for the AT-MXI.

Software	Part Number
LabWindows VXI Development System for DOS LabWindows/CVI VXI Development System for Windows LabVIEW VXI Development System for Windows LabVIEW VXI Development System for Windows NT	776729-01 776804-01 776674-01 776774-01
NI-VXI Bus Interface Software Packages for AT-MXI <ul style="list-style-type: none"> – MS-DOS – Microsoft Windows – SCO UNIX – ISC UNIX – Windows NT 	776418-01 776458-01 776368-02 776368-03 776873-58

Chapter 3

Configuration and Installation

This chapter describes the procedures for unpacking, configuring, and installing your AT-MXI interface board. The instructions are given in the order that you should perform them. A summary of the steps is as follows:

1. Unpack the AT-MXI.
2. Configure the AT-MXI.
3. Install the AT-MXI.
4. Connect the AT-MXI to the rest of your MXIbus system.

Step 1. Unpack the AT-MXI

Follow these steps when unpacking your AT-MXI interface board:

1. Before attempting to configure or install the AT-MXI, inspect the shipping container and its contents for damage. If damage appears to have been caused in shipment, file a claim with the carrier. Retain the packing material for possible inspection and/or for reshipment.
2. Verify that the pieces contained in the package you received match the kit parts list. *Do not* remove the board from its plastic bag at this point.
3. Your AT-MXI board is shipped packaged in an antistatic plastic bag to prevent electrostatic damage to the board. Some of the circuitry on the AT-MXI uses CMOS technology and can be damaged by electrostatic discharge. Before removing the board from the antistatic bag, touch the bag to a metal part of your computer chassis.
4. As you remove the AT-MXI from its bag, be sure to handle the board only by its edges. Avoid touching any of the IC components or connectors. Inspect the board for loose components or any other sign of damage. Notify National Instruments if the board appears damaged in any way. *Do not* install equipment that appears to be damaged.

Step 2. Configure the AT-MXI

You can configure four options on the AT-MXI board:

- Base I/O address
- Interrupt levels
- DMA channels
- MXIbus termination option

Figure 3-1 shows the location of the AT-MXI configuration jumpers, switches and terminator sockets.



Figure 3-1. AT-MXI Parts Locator Diagram

Switch and Jumper Settings

Table 3-1 shows the factory settings and optional settings for the configurable options on the AT-MXI.

Table 3-1. AT-MXI Factory Default Settings and Optional Configurations

Feature	Default	Optional Configurations
Base I/O Address (hex)	340	100 to 3E0, increments of 20 hex
Board Interrupt Level	12	3, 4, 5, 6, 7, 9, 10, 11, 12, 14, 15, and Not Used
MXIbus Interrupt Level	10	3, 4, 5, 6, 7, 9, 10, 11, 12, 14, 15, and Not Used
Master DMA Channel	6	0, 1, 2, 3, 5, 6, 7, and Not Used
Slave DMA Channel	3	0, 1, 2, 3, 5, 6, 7, and Not Used
MXIbus Termination	Installed	Not Installed

The factory-configured settings of the base I/O address, the interrupt levels, and the DMA channels are suitable for most computer systems. The following sections describe under what conditions it would be necessary to change the configuration jumpers, switches, and/or terminators on the AT-MXI and how to make these changes.

Base I/O Address Selection

The base I/O address of the AT-MXI is the starting address of the AT-MXI configuration registers in PC AT I/O space. The base I/O address is determined by the position of the five switches at location U31, as shown in Figure 3-1. The switches are set at the factory for a base I/O address of 340 hex. Because the AT-MXI requires 32 bytes of consecutive I/O space for its internal registers, the factory configuration uses the I/O address space in the range of 340 to 35F hex.

Note: *Check to determine that this I/O space is not already used by any other interface installed in your PC AT computer. If any equipment in your computer uses this I/O address space, you must change either the base I/O address of the AT-MXI or the I/O address space requirements of the other device. All PC AT devices must have a unique partition of the system's I/O address space.*

Each switch in U31 (1 through 5) corresponds to one of the PC AT address lines (A5 through A9). The first switch (1) corresponds to address line A5, the next switch (2) corresponds to address line A6, and so on. The five least significant bits of the address (A4 through A0) are used by the AT-MXI to select the appropriate AT-MXI register and cannot be changed; therefore, bits A4 through A0 are always zeros when determining the base I/O address.

To change the base I/O address of the AT-MXI, press the side marked *OFF* to select a binary value of 1 for the corresponding address bit. Press the *ON* side of the switch to select a binary value of 0 for the corresponding address bit. Refer to Table 3-2.

Figure 3-2 shows two possible switch settings.

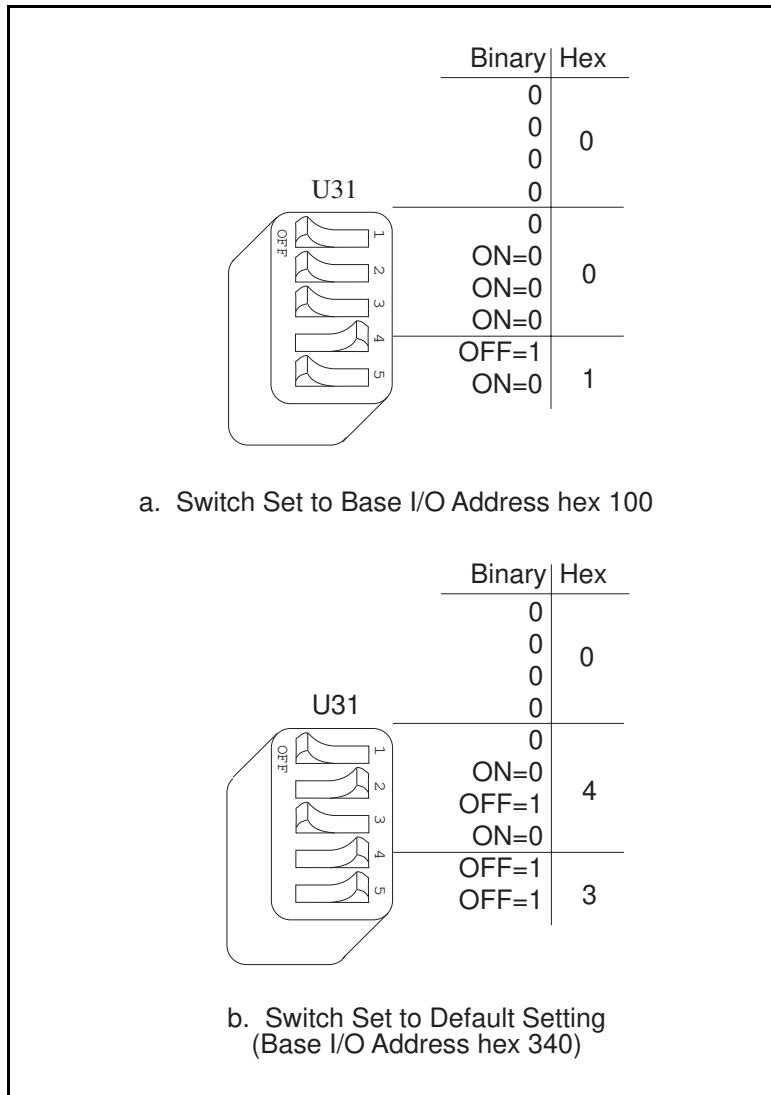


Figure 3-2. Base I/O Address Switch Settings

Table 3-2 lists the 24 possible switch settings, the corresponding base I/O address, and the I/O address space used for that setting. Notice that the base address settings that correspond to an I/O address in the range from 0 to FF hex are not listed. These addresses are used by logic on the PC AT motherboard and cannot be used by I/O adapter modules.

Table 3-2. Possible Base I/O Address Settings for the AT-MXI

Switch Setting A9 A8 A7 A6 A5	Base I/O Address (hex)	I/O Ports Used (hex)
0 1 0 0 0	100	100 - 11F
0 1 0 0 1	120	120 - 13F
0 1 0 1 0	140	140 - 15F
0 1 0 1 1	160	160 - 17F
0 1 1 0 0	180	180 - 19F
0 1 1 0 1	1A0	1A0 - 1BF
0 1 1 1 0	1C0	1C0 - 1DF
0 1 1 1 1	1E0	1E0 - 1FF
1 0 0 0 0	200	200 - 21F
1 0 0 0 1	220	220 - 23F
1 0 0 1 0	240	240 - 25F
1 0 0 1 1	260	260 - 27F
1 0 1 0 0	280	280 - 29F
1 0 1 0 1	2A0	2A0 - 2BF
1 0 1 1 0	2C0	2C0 - 2DF
1 0 1 1 1	2E0	2E0 - 2FF
1 1 0 0 0	300	300 - 31F
1 1 0 0 1	320	320 - 33F
1 1 0 1 0	340 (default)	340 - 35F

(continues)

Table 3-2. Possible Base I/O Address Settings for the AT-MXI (Continued)

Switch Setting A9 A8 A7 A6 A5	Base I/O Address (hex)	I/O Ports Used (hex)
1 1 0 1 1	360	360 - 37F
1 1 1 0 0	380	380 - 39F
1 1 1 0 1	3A0	3A0 - 3BF
1 1 1 1 0	3C0	3C0 - 3DF
1 1 1 1 1	3E0	3E0 - 3FF

Interrupt Level Selection

The AT-MXI interface board can use one, two, or none of the eleven interrupt levels of the PC AT I/O bus. Setting up an interrupt level for operation involves two steps. First you select the interrupt level by arranging the jumpers on an array of pins. Next you enable the interrupt level in the system software. Interrupt levels must be enabled by the system software before they can function. Any interrupt level not enabled is not driven by the AT-MXI and can be used by other devices, regardless of the positions of the jumpers.

Interrupt levels are selected by the position of two jumpers on the 3 by 11 array of pins labeled W3, located above the I/O card-edge connector on the AT-MXI (refer to Figure 3-1). The jumper farther from the card-edge connector is used to select which PC AT interrupt level is used to convey board status and error information. This jumper is set at the factory to a default level of 12.

The jumper on the W3 pin array closer to the I/O card-edge connector is used to select which PC AT interrupt level corresponds to the MXIbus interrupt signal *IRQ**. Because the MXIbus interrupt is also one of the conditions covered by the other jumper, a separate interrupt level for the MXIbus *IRQ** signal is normally not needed and is useful only if you want a different interrupt vector or priority for MXIbus interrupts. This jumper is set at the factory to a default level of 10.

Note: *The AT-MXI does not have the ability to share interrupt levels with other devices. If you select an interrupt level by placing a jumper on a particular level and enable that level in software, no other device in the system can use that level. Make sure that no other devices in your system use the interrupt level(s) selected and enabled for use by the AT-MXI. If they do, change the interrupt level(s) of either the AT-MXI or the other devices.*

The AT-MXI can use interrupt levels IRQ3, 4, 5, 6, 7, 9, 10, 11, 12, 14, and 15. Be careful when re-assigning interrupt levels on the AT-MXI. Notice that most PC ATs use interrupt level 6 for the diskette drive controller and interrupt level 14 for the hard disk drive controller. Other interrupt levels might be used by standard logic devices on the motherboard, so check your computer documentation before changing interrupt levels on the AT-MXI.

Once you have chosen an interrupt level, place the jumper on the appropriate pins to select that interrupt level. Use the two rows of pins farther from the card-edge connector to select the board interrupt level, and the two rows of pins closer to the card-edge connector to select the MXIbus interrupt level. Figure 3-3a shows the factory default interrupt jumper setting of the AT-MXI, with board interrupt level 12 and MXIbus interrupt level 10.

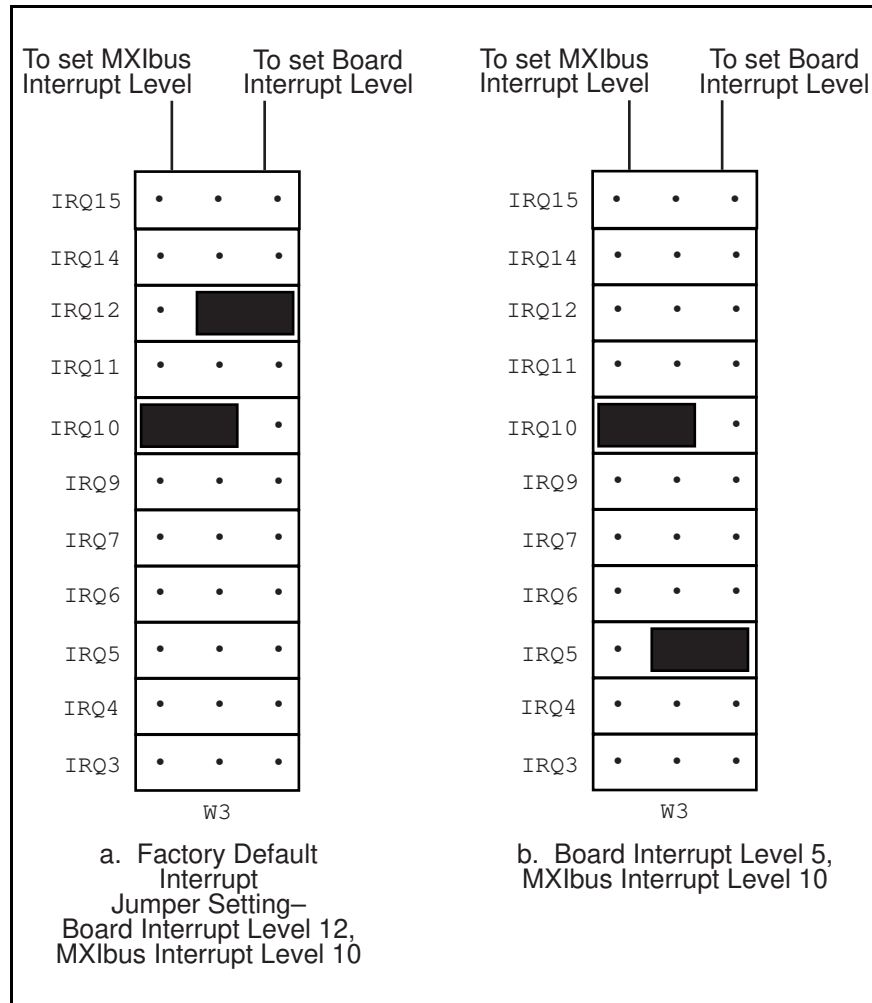


Figure 3-3. Board and MXIbus Interrupt Jumper Settings

To change to another interrupt level, remove the appropriate jumper from its current position and place it on the new posts. Figure 3-3b shows the board interrupt level changed to IRQ5.

DMA Channel Selection

The AT-MXI interface board can use one, two, or none of the seven DMA channels of the PC AT I/O bus. Setting up a DMA channel for operation involves two steps. First you select the DMA channel by arranging the jumpers on an array of pins. Next you enable the DMA channel in the system software. DMA channels must be enabled by the system software before they can function. Any DMA channel not enabled is not driven by the AT-MXI and can be used by other devices, regardless of the positions of the jumpers.

Select the DMA channels on the two 3 by 7 arrays of pins labeled *W1* and *W2*, located above the I/O card-edge connector on the AT-MXI (refer to Figure 3-1). Use the *W1* array to select the DMA request line(s), and use the *W2* array to select the DMA acknowledge line(s). You must position two jumpers to select a single DMA channel. The DMA ACKnowledge (*DACK_n*) and DMA ReQuest (*DRQ_n*) lines selected must have the same numeric suffix for proper operation. Therefore, make sure that the jumper positions on the *W1* array are identical to the jumper positions on the *W2* array.

Master Mode Versus Slave Mode

The AT-MXI can function as both a MXIbus master and a MXIbus slave. As a MXIbus master, the AT-MXI circuitry determines whether a PC AT cycle is to be mapped into a MXIbus cycle intended for some external MXIbus device, such as a VMEbus chassis. As a MXIbus slave, the AT-MXI circuitry determines whether an external device is attempting to access PC AT memory or I/O resources. When allocating DMA channels for use by the AT-MXI, keep in mind that master-mode and slave-mode operation are two distinct asynchronous functions and require different DMA channels.

The slave-mode DMA channel must be enabled to allow shared access to PC AT resources from an external MXIbus master. If you intend to share memory or I/O resources within the PC AT, you must select and enable a DMA channel for slave-mode operation.

You can use the master-mode DMA channel to perform high-speed block-mode transfers to or from external MXIbus devices. If you selected a master-mode DMA channel and enabled it in software, all block-mode transfers that map to the MXIbus will use the PC AT DMA controller to perform the block-mode move via that channel.

If the master-mode DMA channel is not enabled by software, the jumper-selected DMA channel is not used by the AT-MXI and can be used by other devices. Block-mode transfers can still be performed by using the processor's `movs` (move string) command or by writing a move string function. This does not necessarily mean that it will take any longer for the data to be transferred. In fact, most PC ATs can transfer data faster using the `movs` instruction than they can using the DMA controller. However, you may prefer to use the DMA controller if you have other useful work to do during a block-mode operation (such as when using a multitasking operating system).

The DMA jumpers are configured at the factory set to master-mode DMA Channel 6 and slave-mode DMA Channel 3.

Note: *Seldom, if ever, can the AT-MXI share DMA channels with other devices. If you have selected a DMA channel by placing jumpers on that channel's request and acknowledge lines and enabled the channel in software, no other devices in your system should use that channel. If DMA channels conflict, change the DMA channel(s) used by either the AT-MXI or the other device(s).*

The AT-MXI can use DMA Channels 0, 1, 2, 3, 5, 6, and 7. Be careful when re-assigning DMA channels on the AT-MXI. Notice that most PC ATs use DMA Channel 2 for the disk controller interface. Other DMA channels might be used by standard logic devices on the motherboard, so check your computer documentation before changing DMA channels.

Notice that the PC AT makes a distinction between 8-bit and 16-bit DMA channels. The 8-bit channels are 0, 1, 2, and 3. The 16-bit channels are 5, 6, and 7. The master-mode DMA channel must be set on a level that matches the data width of the intended block transfers. It is preferable to use one of the 16-bit channels for the master-mode interface because a 16-bit DMA channel can transfer twice the amount of data in the same number of cycles. The slave-mode DMA channel is used only to request the PC AT bus for an alternate PC AT bus master cycle. It can use any available 8-bit or 16-bit channel regardless of the intended data width of the transfers.

Use the two rows of pins farther from the card-edge connector to select the master-mode DMA channel and the two rows closer to the card-edge connector to select the slave-mode DMA channel. Remember that the jumper positions should be identical on both the W1 and W2 arrays. Figure 3-4a shows the factory default DMA channel setting of the AT-MXI, with master-mode DMA Channel 6 and slave-mode DMA Channel 3.

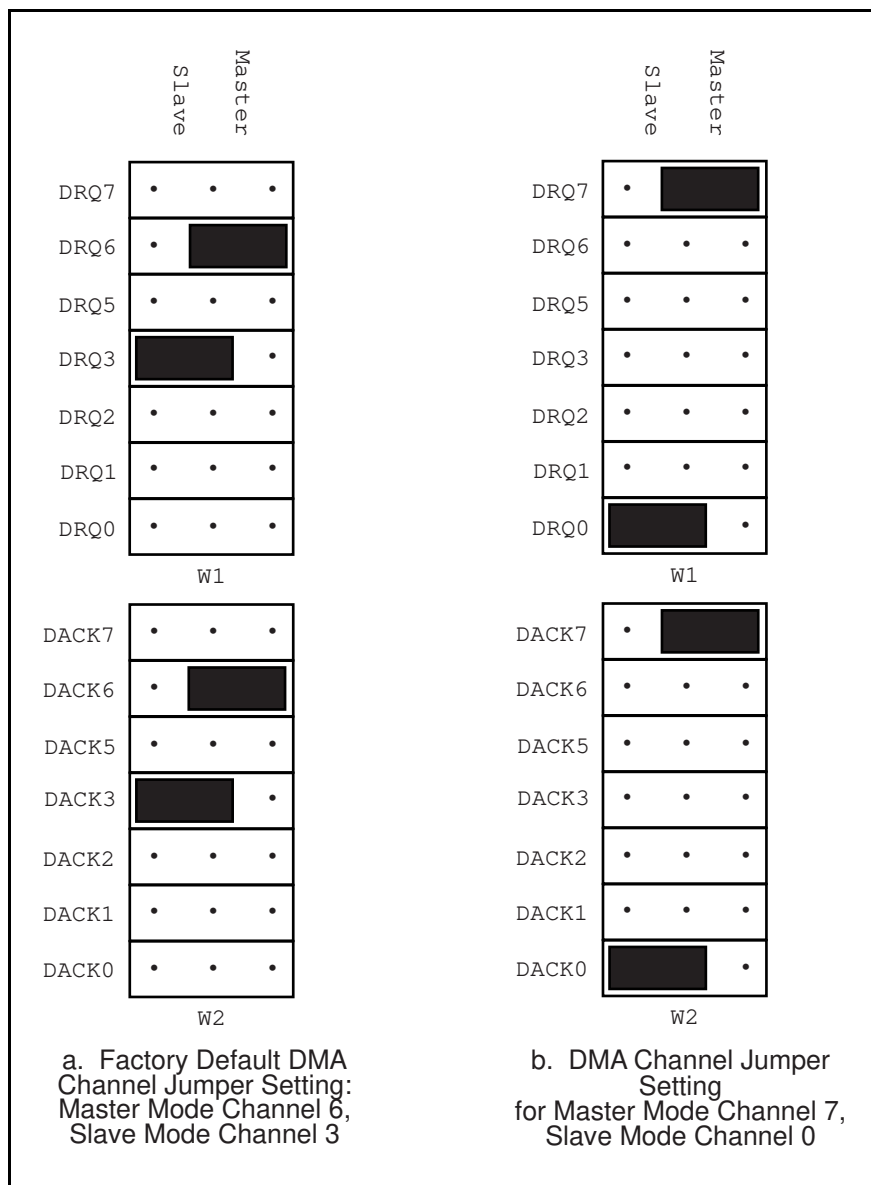


Figure 3-4. DMA Channel Settings

To change to another DMA channel, remove both the DRQ and DACK jumpers from their current positions and place them on their new posts. Figure 3-4b displays the jumper position necessary for selecting master-mode DMA Channel 7 and slave-mode DMA Channel 0.

MXIbus Termination Option

The AT-MXI has the ability to terminate the MXIbus signals on the interface board using terminating resistor networks in single inline packages (SIPs). You also have the option of terminating the MXIbus signals externally, by using an add-on module to aid in easy system reconfiguration. As mentioned in Chapter 1, only the first and last devices in the MXIbus daisy-chain should be terminated.

Because of the onboard termination option, you can install or remove terminating resistor networks from their sockets on the AT-MXI board. The board is shipped from the factory with these terminating resistor networks installed. If your AT-MXI is to be the first or last device in the MXIbus daisy-chain and you will *not* be using external terminating resistor networks, leave these internal resistor terminators in place. If the AT-MXI is *not* going to be an end device on the MXIbus daisy-chain, or if you *will* be using external terminating resistor networks, remove all six of the internal terminating resistor networks from their sockets. Store them in a safe place in case the MXIbus system configuration changes. When reinstalling the resistor networks, be sure to note the position of pin 1 of the socket and the terminators and make sure that the terminating networks are plugged firmly into their respective sockets.

Figure 3-5 shows the position of the six MXIbus terminating networks. All six networks must be either installed or removed from their sockets.

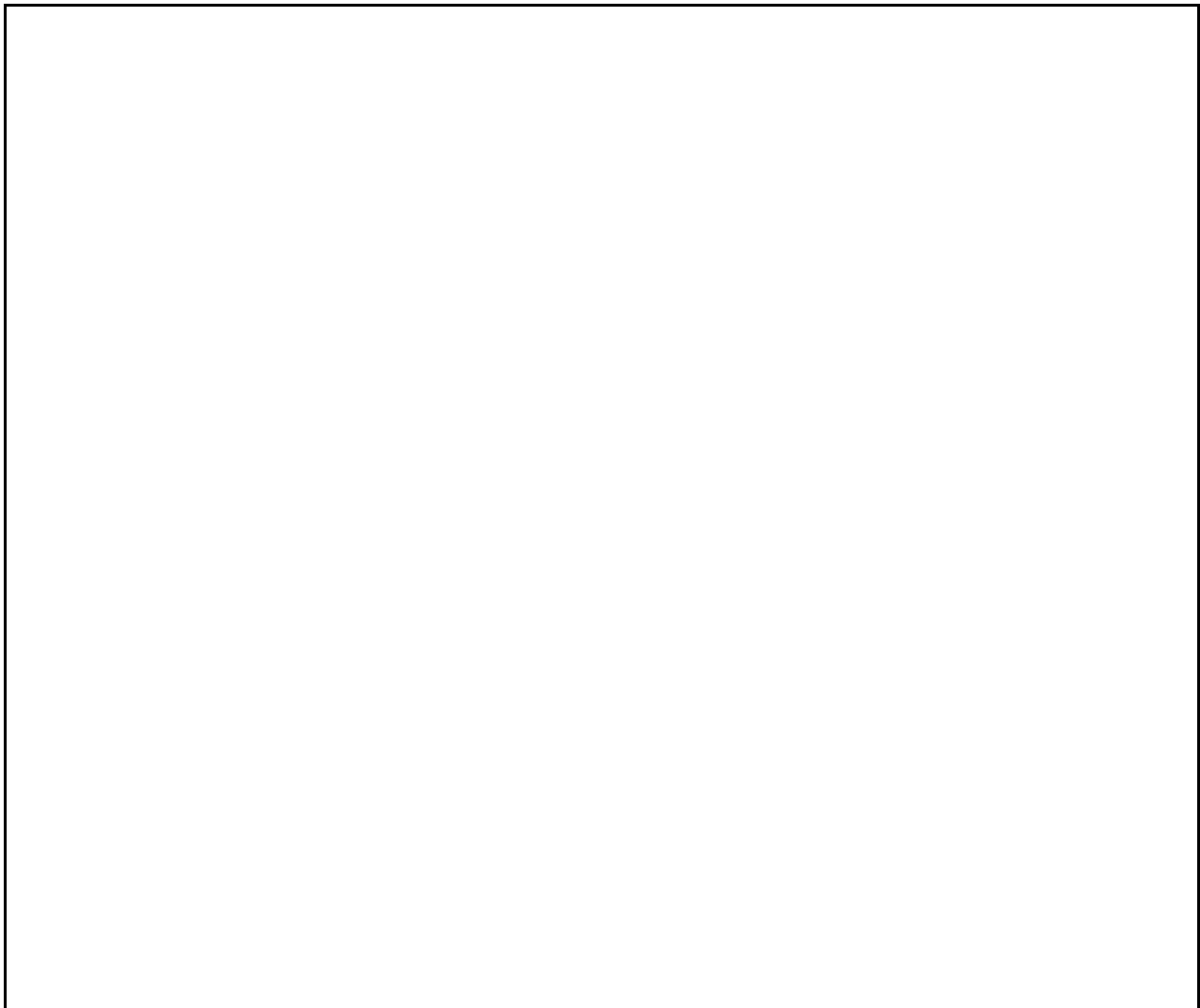


Figure 3-5. MXIbus Terminating Networks

Step 3. Install the AT-MXI

In the space provided here, record the settings of the base I/O address, the DMA channel(s), the interrupt level(s), and the position of the MXIbus termination option so that you will have them handy for future reference.

AT-MXI	Setting
Base I/O Address	
Board Interrupt Level	
MXIbus Interrupt Level	
Master DMA Channel	
Slave DMA Channel	
MXIbus Termination Option	

Before attempting to install the AT-MXI, notice that some MXIbus cable connector hoods are slightly wider than most standard connector hoods and might interfere with other cables installed in adjacent PC AT slots. Normally, this will only be a problem if the cable connector hoods for the adjacent slots are also oversized. When choosing a PC AT slot in which to install the AT-MXI, verify that the MXIbus cable connector will not interfere with cables and connectors in other PC AT slots. If necessary, reposition the boards in the system to prevent cabling conflicts. It may also help to install the AT-MXI in one of the end slots so that you will only have to contend with the cable connectors of one other board.

If you cannot configure the AT-MXI to co-exist in an existing PC AT system by repositioning the boards, you can use one of the MXIbus cable options with a straight-point connector hood on the cable end that attaches to the AT-MXI. The straight-point connector hood is narrower than the MXIbus dual-connector arrangement and provides an easier fit for many system configurations. However, this approach requires that the AT-MXI be the first device in the MXIbus daisy-chain because a cable with a straight-point connector end cannot accept another MXIbus cable to propagate the bus. Remember that the first device in the MXIbus daisy-chain must also be configured as the MXIbus System Controller.

The following instructions are general installation instructions. Consult the user or technical reference manual of your computer for specific instructions and warnings.

1. Plug in your PC AT computer before installing the AT-MXI. The plug grounds the computer and protects it from electrical damage while you are installing boards.

Warning: *To protect both yourself and the computer from electrical hazards, the computer should remain off until you are finished installing the board.*

2. Remove the top cover or access port to the PC AT I/O bus.
3. Select any available 16-bit full-length PC AT expansion slot. The 16-bit expansion slots have two card-edge receptacle connectors.
4. Locate the metal bracket that covers the cut-out in the back panel of the PC AT chassis for the slot you have selected. Remove and save the bracket-retaining screw and the bracket cover.
5. Before picking up the AT-MXI, touch the metal part of the power supply case inside the computer to discharge any static electricity that might be on your clothes or body.
6. Line up the AT-MXI with the MXIbus connector near the cut-out on the back panel and the other card edge lined up with the respective slot guide. Slowly push down on the front of the AT-MXI until its card edge connector is resting on the expansion slot receptacle. Using slow, evenly distributed pressure, press the AT-MXI straight down until it seats in the expansion slot.
7. Reinstall the bracket retaining screw to secure the AT-MXI to the back panel rail.
8. Check the installation.
9. Replace the computer cover.

Step 4. Connect the AT-MXI to the MXIbus

After the AT-MXI has been installed, add it to the rest of your MXIbus system by connecting the MXIbus cable(s) to the MXIbus connector on the back of the board and to the other MXIbus devices in your system. The AT-MXI should be connected to the MXIbus system as described in Chapter 1. Be sure to tighten the screw locks on both sides of the cable connectors to ensure proper pin connection.

Once the AT-MXI is properly connected to the MXIbus system, you can restore power to the PC AT computer. The AT-MXI will remain offline on the MXIbus until it is initialized by the system software. Make sure that all devices on the MXIbus are powered up, initialized and operational before attempting to transfer data on the MXIbus.

Chapter 4

Register Descriptions

This chapter contains detailed information on the use of the AT-MXI registers that are accessible via the PC AT bus using I/O operations. These registers are used to configure and control the board's operation and to obtain relevant status information on the state of the board and the MXIbus.

Another group of AT-MXI registers are accessible via MXIbus A16 space after the board has been properly configured. Refer to Chapter 5, *Programming Considerations*, for a description of these registers.

Note: *If you plan to use the NI-VXI software package, you do not need to read this chapter because the software routines automatically handle the configuration and maintenance of these registers.*

Register Map

The AT-MXI maps its registers into 32 consecutive byte-wide I/O locations starting at the I/O address established by the onboard switches (see Chapter 3). Some of the registers are read-only, while others are write-only registers. All register pairs can be accessed as either words or bytes except for the Signal Register, which must be accessed as a word, and the timer registers, which must be accessed as bytes. When a 16-bit register is accessed with a byte-wide operation, the least significant 8 bits are available at the even I/O address, while the most significant 8 bits are available at the odd I/O address.

The register map for the AT-MXI registers is shown in Table 4-1. The table gives the register name, the register address, the type of the register (read or write), and the size of the register in bits.

Table 4-1. AT-MXI Register Map

Register Name	Mnemonic	Offset from Base Address (hex)	Type	Size (bits)
Slave Mode Configuration Register Group: Slave Mode Address Register Slave Mode Address Mapping Register	SMAR SMAMR	00 02	Write Write	16, 8 16, 8
Master Mode Configuration Register Group: Master Mode Address Page Register Master Mode Address Modifier and Enable	MMAPR MMAMEN	04 06	Write Write	16, 8 16, 8
Board Register Group: Signal Register Board Status Register Board Control Register	SR BSR BCR	08 0A 0A	Read Read Write	16 16, 8 16, 8
Timer Register Group: Slave Mode Timer Register Master Mode Timer Register System Controller Timer Register Timer Control Register	SMTR MMTR SCTR TCR	10 12 14 16	Write Write Write Write	8 8 8 8

Table 4-1 shows the AT-MXI registers divided into four different register groups. These groups represent the four major logic blocks on the AT-MXI interface card. The Slave Mode Configuration Register Group is used to configure the AT-MXI interface so that it can accept MXIbus cycles intended for PC AT resources. The Master Mode Configuration Register Group is used to configure and control the AT-MXI when it is operating as a MXIbus master. The Board Register group consists of registers that are used to configure the different board options and obtain relevant status information from the AT-MXI board. The Timer Register Group is used to establish time limits for the different modes of operation of the AT-MXI. The following pages contain bit descriptions of each of the registers making up these groups.

Register Description Format

The remainder of this chapter discusses each of the AT-MXI registers in the order shown in Table 4-1. The individual register descriptions give the function, address, type, size, and bit map of the register, followed by a detailed description of each bit function.

Each register bit map shows a diagram of the register with most significant bit (bit 15 for a 16-bit register, bit 7 for an 8-bit register) shown on the left, and the least significant bit (bit 8 or bit 0) shown on the right. A square is used to represent each bit. Each bit is labeled with a name inside its square. *Odd* to the right of the bit diagram indicates that the byte can be accessed at an odd I/O address. *Even* indicates that the byte can be accessed at an even I/O address. An asterisk (*) after the bit name indicates that the signal is active low (negative logic).

Any register or bit that is cleared by a PC AT hard reset is so noted in its description. When you power-on the unit or depress the reset button on the PC AT, the PC AT *RESET* signal is asserted, resulting in a hard reset. Unless otherwise specified, the bits within all write registers remain as programmed until they are overwritten.

In the following register descriptions, *setting* a bit means to write a value of 1 and *clearing* a bit means to write a value of 0.

Slave Mode Address Register

Function: The Slave Mode Address Register defines the base address of the AT-MXI's A24 and/or A16 shared resources in MXIbus address space. This register is used to define the starting address for the window(s) through which slave-mode cycles from the MXIbus to the PC AT bus will map.

Address: I/O Base Address + 00 hex

Type: Write Only

Size: 8 or 16-bit accessible

Bit Map:

15	14	13	12	11	10	9	8	Odd
SMA23	SMA22	SMA21	SMA20	SMA19	SMA18	SMA17	0	
7	6	5	4	3	2	1	0	Even
SMA15	SMA14	SMA13	SMA12	SMA11	SMA10	SMA9	0	

Bit	Mnemonic	Description
15-9	SMA[23-17]	Slave Address Bits for Address Lines 23 through 17 (A24 accesses) These bits are used to define the base address of the AT-MXI's shared memory window for slave-mode operation via A24 space. The m most significant bits are the values of the m most significant bits of the AT-MXI's shared address window in A24 space, where m is the value of the A24 size field (bits 6 through 4 of the Slave Mode Address Mapping Register). The $(7 - m)$ least significant bits are meaningless. Thus, for a given value of m , the $(7 - m)$ least significant bits are meaningless, and register bits 15 through $(15 - m + 1)$ map the MXIbus address lines SMA23 through $(SMA23 - m + 1)$.
8	0	Reserved Bit This bit is reserved for future use. Always write a 0 to this bit.

Bit	Mnemonic	Description
7-1	SMA[15-9]	<p data-bbox="570 254 1437 317">Slave Address Bits for Address Lines 15 through 9 (A16 accesses)</p> <p data-bbox="570 348 1437 636">These bits are used to define the base address of the AT-MXI's shared memory window for slave-mode operation via A16 space. The n most significant bits are the values of the n most significant bits of the AT-MXI's shared address window in A16 space, where n is the value of the A16 size field (bits 2 through 0 of the Slave Mode Address Mapping Register). For a given value of n, the $(7 - n)$ least significant bits are meaningless, and register bits 7 through $(7 - n + 1)$ map the MXIbus address lines SMA15 through $(SMA15 - n + 1)$.</p> <p data-bbox="570 667 1437 856">Because the AT-MXI has fixed configuration registers located in the top quarter of A16 space, this space is considered reserved. You should not use this space when mapping MXIbus A16 space to the PC AT bus. Confine the base address programmed in this register to the lower 48 KB of A16 space (never set both bits 7 and 6 at the same time).</p>
0	0	<p data-bbox="570 890 740 924">Reserved Bit</p> <p data-bbox="570 955 1437 984">This bit is reserved for future use. Always write a 0 to this bit.</p>

Slave Mode Address Mapping Register

Function: The least significant byte of the Slave Mode Mapping Register is used to enable the AT-MXI slave-mode windows and to set their size. The most significant byte of this register can be used to remap the A24 window in MXIbus address space to a different physical address space on the PC AT bus.

Address: I/O Base Address + 02 hex

Type: Write Only

Size: 8 or 16-bit accessible

Bit Map:

15	14	13	12	11	10	9	8	
0	0	0	0	A24OFF3	A24OFF2	A24OFF1	A24OFF0	Odd
7	6	5	4	3	2	1	0	
A24EN	A24SIZ2	A24SIZ1	A24SIZ0	A16EN	A16SIZ2	A16SIZ1	A16SIZ0	Even

Bit	Mnemonic	Description
15-12	0	Reserved Bits These bits are reserved for future use. Always write a 0 to these bits.
11-8	A24OFF[3-0]	A24 Window Offset Bits The value of these bits is added to the MXIbus address lines AD[23-20] to form the PC AT address used during slave-mode A24 accesses to PC AT memory. This register can be used to remap MXIbus address space to a different physical PC AT address space. The 4-bit resolution of this register makes it possible to remap PC AT memory on 1 MB boundaries. Because any carry generated as a result of the addition will be discarded, the value of these bits should be considered a 2's complement number when determining the mapping function. PC AT addresses can therefore be at either a higher or lower address than that of the MXIbus. These bits are cleared after a hard reset.

Bit	Mnemonic	Description
7	A24EN	<p>Slave Mode A24 Enable Bit</p> <p>Writing a 1 to this bit enables the slave-mode A24 window so that all MXIbus cycles that map through this window can cause memory access cycles on the PC AT bus. When this bit is cleared the AT-MXI slave-mode A24 window is disabled and the AT-MXI will use no A24 memory. This bit is cleared after a hard reset.</p>
6-4	A24SIZ[2-0]	<p>A24 Window Size Bits</p> <p>The value of these three bits is a number m, which is between 0 and 7. The A24 slave-mode window size is determined by the following equation:</p> $\text{A24 Window Size} = 2^{(24-m)}$
3	A16EN	<p>Slave Mode A16 Enable Bit</p> <p>Writing a 1 to this bit enables the slave-mode A16 window so that all MXIbus cycles that map through this window can cause I/O access cycles on the PC AT bus. When this bit is cleared, the AT-MXI slave-mode A16 window is disabled and the AT-MXI will use no A16 memory except for its configuration registers (top quarter of A16 space). This bit is cleared after a hard reset.</p>
2-0	A16SIZ[2-0]	<p>A16 Window Size Bits</p> <p>The value of these three bits is a number n, which is between 0 and 7. The A16 slave-mode window size is determined by the following equation:</p> $\text{A16 Window Size} = 2^{(16-n)}$

Master Mode Address Page Register

Function: This register provides the upper order address lines during MXIbus master-mode transfers.

Address: I/O Base Address + 04 hex

Type: Write Only

Size: 8 or 16-bit accessible

Bit Map:

15	14	13	12	11	10	9	8	
MMA31	MMA30	MMA29	MMA28	MMA27	MMA26	MMA25	MMA24	Odd
7	6	5	4	3	2	1	0	
MMA23	MMA22	MMA21	MMA20	MMA19	MMA18	MMA17	MMA16	Even

Bit	Mnemonic	Description
15-8	MMA[31-24]	<p>Master Address Bits for Address Lines 31 through 24</p> <p>These bits are driven onto MXIbus address lines AD[31-24] during master-mode MXIbus transfers. You need to program these bits only prior to master-mode A32 transfers because A24 and A16 slaves do not use address lines AD[31-24].</p>
7-0	MMA[23-16]	<p>Master Address Bits for Address Lines 23 through 16</p> <p>These bits are driven onto MXIbus address lines AD[23-16] during master-mode MXIbus transfers. You need to program these bits only prior to master-mode A32 or A24 transfers because A16 slaves do not use address lines AD[23-16].</p>

Master Mode Address Modifier and Enable Register

Function: The most significant byte of this register defines the address modifier code that will be driven on the MXIbus during master-mode accesses. The least significant byte enables master-mode operation and establishes the memory address of the 64 KB master-mode MXIbus window.

Address: I/O Base Address + 06 hex

Type: Write Only

Size: 8 or 16-bit accessible

Bit Map:

15	14	13	12	11	10	9	8	
0	0	0	MMAM4	MMAM3	MMAM2	MMAM1	MMAM0	Odd
7	6	5	4	3	2	1	0	
TCENDEN	INDIVEN	0	MMEN	MMWA19	MMWA18	MMWA17	MMWA16	Even

Bit	Mnemonic	Description
15-13	0	Reserved Bits These bits are reserved for future use. Always write a 0 to these bits.
12-8	MMAM[4-0]	Master Mode Address Modifier Bits These bits are driven onto MXIbus address modifier lines AM[4-0] during master-mode transfers. The address modifier codes are shown in Table 4-2.

Table 4-2. Address Modifier Codes

Address Modifier Line					Hex Code	Function
AM4*	AM3*	AM2*	AM1*	AM0*		
L	L	L	L	L	1F	A24, supervisory, block transfer
L	L	L	L	H	1E	A24, supervisory, program access
L	L	L	H	L	1D	A24, supervisory, data access
L	L	L	H	H	1C	Reserved
L	L	H	L	L	1B	A24, nonprivileged, block transfer
L	L	H	L	H	1A	A24, nonprivileged, program access
L	L	H	H	L	19	A24, nonprivileged, data access
L	L	H	H	H	18	Reserved
L	H	L	L	L	17	Reserved
L	H	L	L	H	16	Reserved
L	H	L	H	L	15	A16, supervisory access
L	H	L	H	H	14	Reserved
L	H	H	L	L	13	Reserved
L	H	H	L	H	12	Priority Selection Cycle
L	H	H	H	L	11	A16, nonprivileged access
L	H	H	H	H	10	Reserved
H	L	L	L	L	0F	User-defined
H	L	L	L	H	0E	User-defined
H	L	L	H	L	0D	User-defined
H	L	L	H	H	0C	User-defined
H	L	H	L	L	0B	User-defined
H	L	H	L	H	0A	User-defined
H	L	H	H	L	09	User-defined
H	L	H	H	H	08	User-defined
H	H	L	L	L	07	A32, supervisory, block transfer
H	H	L	L	H	06	A32, supervisory, program access
H	H	L	H	L	05	A32, supervisory, data access
H	H	L	H	H	04	Reserved
H	H	H	L	L	03	A32, nonprivileged, block transfer
H	H	H	L	H	02	A32, nonprivileged, program access
H	H	H	H	L	01	A32, nonprivileged, data access
H	H	H	H	H	00	Reserved

Bit	Mnemonic	Description
------------	-----------------	--------------------

7	TCENDEN	Terminal Count End Enable Bit
---	---------	-------------------------------

Setting this bit enables a PC AT DMA terminal count condition to automatically terminate an indivisible MXIbus operation by clearing the INDIVEN bit. When TCENDEN is cleared, a terminal count condition has no effect on the ongoing MXIbus operation. This bit is cleared after a hard reset.

Bit	Mnemonic	Description
6	INDIVEN	<p>Indivisible Access Enable Bit</p> <p>Writing a 1 to this bit causes the AT-MXI to transfer subsequent data cycles indivisibly (without the possibility of interruption from another MXIbus master). When this bit is set, the AT-MXI broadcasts the address of the first data transfer only. It then continues to assert the AS* signal on the MXIbus for the remaining transfers. This bit should be cleared after the second to the last transfer but prior to the last transfer in the sequence. At this point the AT-MXI releases the AS* signal, alerting the slave that this is the last transfer in the sequence. This bit is cleared automatically at the end of a DMA transfer when the TCENDEN bit is set. This bit is also cleared after a hard reset.</p> <p>Note: <i>Set this bit (to 1) prior to performing either MXIbus block-mode transfers or indivisible transfers. The MXIbus slave uses the address modifier signals to determine how to handle the individual transfers.</i></p>
5	0	<p>Reserved Bit</p> <p>This bit is reserved for future use. Always write a 0 to this bit.</p>
4	MMEN	<p>Master Mode Enable Bit</p> <p>Setting this bit enables master-mode operation on the AT-MXI. Clearing this bit disables master-mode operation. This bit is cleared after a hard reset.</p> <p>Warning: <i>Do not set the MMEN bit unless you also set the MMWA[19-16] bits (3-0). Enabling master-mode operations with an improper window address could crash the PC AT.</i></p>
3-0	MMWA[19-16]	<p>Master Mode Window Address Bits</p> <p>The value formed by these four bits determines where the 64 KB master-mode window will reside in PC AT system memory space. These bits correspond to PC AT address lines A19 through A16 and are therefore used to program the segment used to map the master-mode window.</p>

MMWA[19-16]	Master Mode Window Range
1000	80000 to 8FFFF
1001	90000 to 9FFFF
⋮	
1111	F0000 to FFFFF

Signal Register

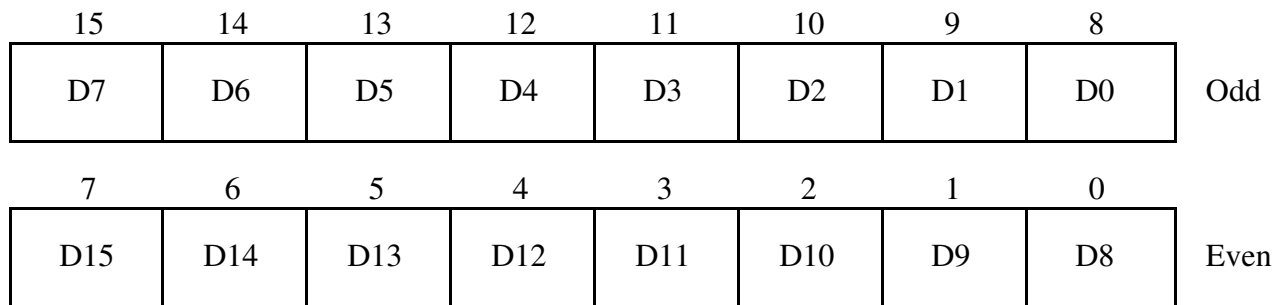
Function: The Signal Register is used for general device-to-device signaling. MXIbus devices can fill the Signal Register by writing to A16 address C008 hex. The PC AT processor can access the stored signal data by reading the Signal Register on the PC AT bus. The Signal Register is implemented as a 16-bit wide by 8-word deep FIFO.

Address: I/O Base Address + 08 hex

Type: Read Only

Size: 16-bit Only

Bit Map:



Bit	Mnemonic	Description
15-0	D[7-0 : 15-8]	Signal Register Data Bits

These bits form the data word of the Signal Register. A write to this register from the MXIbus causes the SIGRDY bit in the Board Status Register to be set (1) and also causes an interrupt on the PC AT bus if the SIGRDYIE (SIGnal ReaDY Interrupt Enable) bit in the Board Control Register is set (1). Both the SIGRDY bit as well as the interrupt remain asserted until the Signal Register FIFO is empty. For efficient system operation, the PC AT processor responsible for maintaining the Signal Register must be capable of responding quickly when the Signal Register is written. The Signal Register must be read once after power-up to initialize it to the empty state.

Board Status Register

Function: This register is used to provide status information on the operation of the AT-MXI board and the MXIbus.

Address: I/O Base Address + 0A hex

Type: Read Only

Size: 8 or 16-bit accessible

Bit Map:

15	14	13	12	11	10	9	8	
PCREQ	MBREQ	BLOCK	OWNMB	PERR	DL	BERR	LBTO	Odd
7	6	5	4	3	2	1	0	
BDINT	RMBIRQ	PCREQINT	RMBIRQ	MMEXCINT	TCINT	OWNMBINT	SIGRDY	Even

Bit	Mnemonic	Description
-----	----------	-------------

15	PCREQ	PC Request Bit
----	-------	----------------

This bit returns a 1 if an external MXIbus master is requesting the PC AT bus. Because slave-mode cycles occur automatically and are software transparent to the PC AT, this bit is normally useful only during the debugging process. For example, PCREQ could be used to indicate to the PC AT processor that another MXIbus master is requesting use of PC AT shared resources and that either the AT-MXI card or the PC AT DMA controller has not yet been properly configured to handle slave-mode operations.

14	MBREQ	MXIbus Request Bit
----	-------	--------------------

This bit returns a 1 if the AT-MXI is requesting use of the MXIbus (arbitrating) for a master-mode transfer that has been started but has not been completed. Because MXIbus arbitration is automatic and software transparent to the application, this bit is normally useful only during the debugging process. For example, MBREQ could be used to determine if another MXIbus device is monopolizing the MXIbus or if the MXIbus System Controller, which is responsible for MXIbus arbitration, is not working properly.

Bit	Mnemonic	Description
13	BLOCK	<p>Block Bit</p> <p>This bit returns a 1 if the AT-MXI is the MXIbus master and is currently involved in a block-mode transfer. Because the PC AT master that initiated the block-mode operation is already responsible for monitoring and terminating the block-mode transfer, this bit is normally useful only during the debugging process. For example, BLOCK could be used to determine if a block-mode operation was started and has not yet been terminated.</p>
12	OWNMB	<p>Own MXIbus Bit</p> <p>This bit returns a 1 if the AT-MXI is the current owner of the MXIbus. Because MXIbus arbitration is automatic and software transparent to the application, this bit is normally useful only during the debugging process. For example, OWNMB could be used to determine if the AT-MXI was able to win a MXIbus arbitration cycle.</p>
11	PERR	<p>Parity Error Bit</p> <p>This bit returns a 1 if a parity error occurred on the last master-mode MXIbus transfer. If a parity error does occur, you cannot make any assumptions as to whether the transfer actually took place. This bit is cleared when it is read.</p>
10	DL	<p>Deadlock Bit</p> <p>This bit returns a 1 if the last master-mode MXIbus transfer terminated prematurely due to a deadlock condition. If set, this bit indicates that the MXIbus transfer did not take place and should be retried. This bit is cleared when it is read.</p>
9	BERR	<p>Bus Error Bit</p> <p>This bit returns a 1 if the last master-mode MXIbus transfer terminated prematurely due to a bus error condition. If a bus error does occur, you cannot make any assumptions as to either the cause of the bus error or whether the transfer actually took place. This bit is cleared when it is read.</p>
8	LBTO	<p>Timeout Bit</p> <p>This bit returns a 1 if the last master-mode MXIbus transfer terminated prematurely due to a PC AT timeout. This is not an error condition. It is merely an indication that the transfer could not be completed within the maximum allowed PC AT access time. If this bit is set, the MXIbus transfer is still ongoing and the previous PC AT master-mode transfer should immediately be re-executed until it either completes successfully or terminates with a bus error condition. This bit is cleared when it is read.</p>

Bit	Mnemonic	Description
7	BDINT	Board Interrupt Bit This bit is the logical OR of the board interrupt conditions. If set, it indicates that one or more of these conditions is true. For more information on the individual board interrupt conditions see the descriptions for bits 6 through 0.
6	RMBIRQ	Receive MXIbus Interrupt Request Bit This bit reflects the status of the MXIbus <i>IRQ</i> signal. If set, it indicates that another MXIbus device is currently asserting the MXIbus interrupt request signal. This bit is identical to bit 4.
5	PCREQINT	PC Request Interrupt Bit This bit is set if the PCREQIE bit in the Board Control Register has been set and PC AT resources have been requested by a remote MXIbus device via a slave-mode MXIbus transfer. Because slave-mode cycles are software transparent to the PC AT, this bit is normally useful only during the debugging process or for alerting the application of an error condition. For example, PCREQINT could be used to indicate not only that an interrupt on the PC AT bus has occurred because another MXIbus master is requesting use of the PC AT shared resources, but also that either the AT-MXI board or the PC AT DMA controller has not yet been properly configured to handle slave-mode operations. As long as both the AT-MXI and the PC AT DMA controller have been properly programmed to allow slave-mode accesses before an external MXIbus master attempts to access shared PC AT resources, this bit has no useful meaning. This bit is cleared by clearing the PCREQIE bit in the Board Control Register and after a hard reset.
4	RMBIRQ	Receive MXIbus Interrupt Request Bit This bit reflects the status of the MXIbus <i>IRQ</i> signal. If set, it indicates that another MXIbus device is currently asserting the MXIbus interrupt request signal. This bit is identical to bit 6.
3	MMEXCINT	Master Mode Exception Interrupt Bit This bit returns a 1 if an exception condition has occurred on the last MXIbus master-mode transfer. The cause of the exception can be determined by analyzing the individual master-mode exception bits (11 through 8). This bit is cleared when the master-mode exception bits are read.

Bit	Mnemonic	Description
2	TCINT	<p>Terminal Count Interrupt Bit</p> <p>This bit is set when the TCIE bit in the Board Control Register has been set and the PC AT DMA controller has completed the last transfer of a DMA operation to the AT-MXI. This bit is cleared by clearing the TCIE bit in the Board Control Register and after a hard reset.</p>
1	OWNMBINT	<p>Own MXIbus Interrupt Bit</p> <p>This bit is set if the OWNMBIE bit in the Board Control Register has been set and the AT-MXI wins control of the MXIbus through arbitration. Because MXIbus arbitration cycles are automatic and software transparent to the application, this bit is normally useful only during the debugging process or for alerting the PC AT that it has won arbitration after another device has been monopolizing the MXIbus for an excessive amount of time. This bit is cleared by clearing the OWNMBIE bit in the Board Control Register and after a hard reset.</p>
0	SIGRDY	<p>Signal Register Ready Bit</p> <p>This bit returns a 1 whenever there is data to be read out of the Signal Register FIFO. This bit returns a 0 when the Signal Register FIFO is empty.</p>

Board Control Register

Function: This register is used to control board features and functions such as enabling interrupts and reporting error conditions.

Address: I/O Base Address + 0A hex

Type: Write Only

Size: 8 or 16-bit accessible

Bit Map:

15	14	13	12	11	10	9	8	
MBSC	LOCKMB	FAIRMB	SWAPMB	IOCHCKEN	SMEM*	MDRQEN	SDRQEN	Odd
7	6	5	4	3	2	1	0	
BDINTEN	MBINTEN	PCREQIE	MBIRQIE	MMEXCIE	TCIE	OWNMBIE	SIGRDYIE	Even

Bit	Mnemonic	Description
15	MBSC	<p>MXIbus System Controller Bit</p> <p>Setting this bit configures the AT-MXI to be the MXIbus System Controller. If this bit is cleared, another device on the MXIbus must accept this responsibility. The MXIbus System Controller must also be the first device in the MXIbus daisy-chain. This bit is cleared after a hard reset.</p>
14	LOCKMB	<p>Lock MXIbus Bit</p> <p>Setting this bit causes the AT-MXI to lock all master-mode MXIbus transfers so that no other MXIbus master can interrupt the indivisible master-mode transfers that follow. The AT-MXI locks the MXIbus by holding the MXIbus <i>BUSY*</i> signal asserted so that no other master can arbitrate for the bus. When this bit is cleared, other masters can arbitrate for the MXIbus. This bit is cleared after a hard reset.</p>

Bit	Mnemonic	Description
13	FAIRMB	<p>Fair MXIbus Requester Bit</p> <p>Setting this bit programs the AT-MXI to be a fair MXIbus requester. A fair MXIbus requester gives other MXIbus masters equal access to the MXIbus regardless of their relative position within the MXIbus daisy-chain. When this bit is cleared, the AT-MXI has an established bus master priority that depends on the relative position of the AT-MXI within the daisy-chain. This bit is cleared after a hard reset.</p>
12	SWAPMB	<p>MXIbus Master Mode Swap Bit</p> <p>This bit allows processors with different byte ordering schemes to share memory resources without needing to swap data byte positions in software. Setting this bit causes the AT-MXI to swap the position of the bytes within words during all multibyte MXIbus master-mode transfers. When this bit is cleared, data is transferred without alteration. This bit is cleared after a hard reset.</p>
11	IOCHCKEN	<p>IO Channel Check Interrupt Enable Bit</p> <p>Setting this bit enables the AT-MXI to drive the PC AT I/O CHCK interrupt in the case of a master-mode exception condition. This bit is cleared after a hard reset.</p>
10	SMEM*	<p>Shared Memory Bit</p> <p>This bit is used to signal other MXIbus devices of the communication protocol supported by the AT-MXI. This bit can be read by other MXIbus devices via the SHARED MEMORY* bit in the Protocol register. A 0 in this field indicates that the AT-MXI supports the optional VXIbus shared memory protocol. A 1 indicates that the shared memory protocol is not supported. This bit is cleared after a hard reset.</p>
9	MDRQEN	<p>Master DMA Request Enable Bit</p> <p>Setting this bit enables the AT-MXI to drive one of the PC AT DMA request lines during master-mode block transfers. You select the DMA channel you want to use for master-mode DMA transfers by the master-mode DMA jumper placement during hardware configuration (refer to the <i>DMA Channel Selection</i> section of Chapter 3). This bit must be set prior to performing master-mode block transfers using the PC AT DMA controller. Clearing this bit causes the AT-MXI to tristate off the selected DMA request line so that it can be used by other devices. This bit is cleared after a hard reset.</p>

Bit	Mnemonic	Description
8	SDRQEN	<p>Slave DMA Request Enable Bit</p> <p>Setting this bit enables the AT-MXI to drive one of the PC AT DMA request lines during slave-mode accesses from the MXIbus to shared PC AT resources. The DMA controller is used during slave-mode transfers to arbitrate for ownership of the PC AT bus. The DMA channel used for slave-mode operations is selected by the slave-mode DMA jumper placement during hardware configuration (refer to the <i>DMA Channel Selection</i> section of Chapter 3). This bit must be set prior to performing slave-mode transfers. Clearing this bit causes the AT-MXI to tristate off the selected DMA request line so that it can be used by other devices. This bit is cleared after a hard reset.</p>
7	BDINTEN	<p>Board Interrupt Enable Bit</p> <p>This bit enables and disables the generation of board interrupt requests from the AT-MXI to the PC AT bus. Writing a 1 to this bit enables the AT-MXI to generate interrupt requests on the PC AT interrupt level selected by the board interrupt jumper (refer to the <i>Interrupt Selection</i> section of Chapter 3). Clearing this bit causes the AT-MXI to tristate off the selected interrupt line so that it can be used by other devices. This bit is cleared after a hard reset. The conditions that can cause a BDINT are as described in the following equation, in which & = <i>and</i>, and # = <i>or</i>:</p> $\text{BDINT} = \text{BDINTEN} \ \& \ (\text{SIGRDY} \ \& \ \text{SIGRDYIE} \\ \# \ \text{TCINT} \ \& \ \text{TCIE} \\ \# \ \text{MMEXCINT} \ \& \ \text{MMEXCIE} \\ \# \ \text{RMBIRQ} \ \& \ \text{MBIRQIE} \\ \# \ \text{OWNMBINT} \ \& \ \text{OWNMBIE} \\ \# \ \text{PCREQINT} \ \& \ \text{PCREQIE})$
6	MBINTEN	<p>MXIbus Interrupt Enable Bit</p> <p>This bit enables and disables the generation of interrupt requests from the MXIbus IRQ line to the PC AT bus. Writing a 1 to this bit enables the AT-MXI to generate interrupt requests on the PC AT interrupt level selected by the MXIbus interrupt jumper (refer to the <i>Interrupt Selection</i> section of Chapter 3). Clearing this bit causes the AT-MXI to tristate off the selected interrupt line so that it can be used by other devices. This bit is cleared after a hard reset.</p>
5	PCREQIE	<p>PC Request Interrupt Enable Bit</p> <p>Writing a 1 to this bit enables a PCREQ condition (bit 15 of the Board Status Register) to set the PCREQINT bit in the Board Status register, which will set the BDINT bit in the Board Status Register and, optionally, cause an interrupt on the PC AT board interrupt level. Clearing this bit clears and disables the PCREQINT bit. This bit is cleared after a hard reset.</p>

Bit	Mnemonic	Description
4	MBIRQIE	<p>MXIbus Interrupt Request Interrupt Enable Bit</p> <p>Writing a 1 to this bit enables the MXIbus <i>IRQ</i> signal to set the BDINT bit in the Board Status register and, optionally, to cause an interrupt on the PC AT board interrupt level. This bit is cleared after a hard reset.</p>
3	MMEXCIE	<p>Master Mode Exception Interrupt Enable Bit</p> <p>Writing a 1 to this bit enables a master-mode exception condition (PERR, DL, BERR, LBTO) to set the BDINT bit in the Board Status register and, optionally, to cause an interrupt on the PC AT board interrupt level. This bit is cleared after a hard reset.</p>
2	TCIE	<p>Terminal Count Interrupt Enable Bit</p> <p>Writing a 1 to this bit enables a DMA terminal count condition to set the TCINT bit in the Board Status register, which will set the BDINT bit in the Board Status register and, optionally, to cause an interrupt on the PC AT board interrupt level. Clearing this bit clears and disables the TCINT bit. This bit is cleared after a hard reset.</p>
1	OWNMBIE	<p>Own MXIbus Interrupt Enable Bit</p> <p>Writing a 1 to this bit enables an OWNMB condition (bit 12 of the Board Status Register) to set the OWNMBINT bit in the Board Status register, which will set the BDINT bit in the Board Status register and, optionally, to cause an interrupt on the PC AT board interrupt level. Clearing this bit clears and disables the OWNMBINT bit. This bit is cleared after a hard reset.</p>
0	SIGRDYIE	<p>Signal Ready Interrupt Enable Bit</p> <p>Writing a 1 to this bit enables a SIGRDY condition (bit 0 of the Board Status Register) to set the BDINT bit in the Board Status register and, optionally, to cause a interrupt on the PC AT board interrupt level. This bit is cleared after a hard reset.</p>

Slave Mode Timer Register

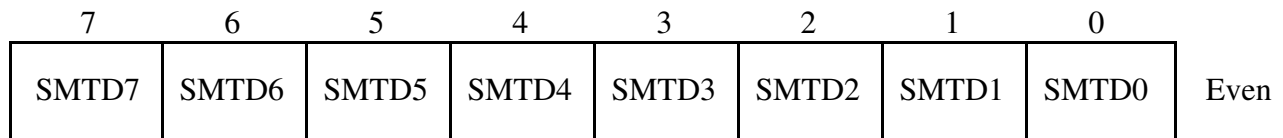
Function: This register is used to set the limit on the amount of time that the AT-MXI is allowed to spend as a PC AT bus master (MXIbus slave-mode cycles).

Address: I/O Base Address + 10 hex

Type: Write Only

Size: 8-bit Only

Bit Map:



Bit	Mnemonic	Description
7-0	SMTD[7-0]	Slave Mode Timer Data Bits

These bits are used to program the amount of time the AT-MXI is allowed to hold the PC AT bus as a PC AT bus master. If the AT-MXI reaches its programmed time limit while it is the PC AT bus master, it releases the PC AT bus as soon as the current transfer completes. Because the timer register is 16 bits wide, it is necessary to write the timer data bits twice to load the entire count. The order of the two writes should be least significant byte (LSB) first, then the most significant byte (MSB). Immediately before making these two writes, you must initialize the timer unit by writing the Timer Control Register. The following equation shows how to calculate the slave-mode timer limit.

$$\text{Slave Mode Timer Limit} = (256 * \text{MSB} + \text{LSB}) * 100 \text{ ns}$$

Refer to the *Initializing the Timers* section in Chapter 5, *Programming Considerations*, for more information on programming the Slave Mode Timer Register.

Master Mode Timer Register

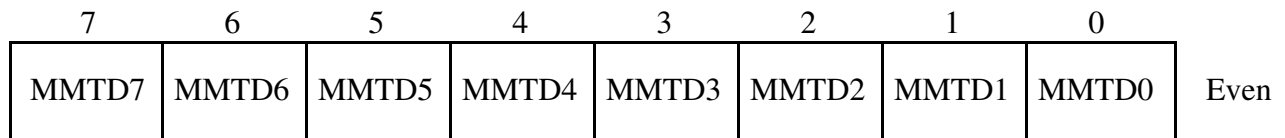
Function: This register is used to set the limit on the amount of time that the AT-MXI is allowed to delay a PC AT cycle intended for a MXIbus device.

Address: I/O Base Address + 12 hex

Type: Write Only

Size: 8-bit Only

Bit Map:



Bit	Mnemonic	Description
7-0	MMTD[7-0]	Master Mode Timer Data Bits

These bits are used to program the amount of time the AT-MXI is allowed to delay a PC AT bus cycle intended for an external MXIbus device. If the AT-MXI reaches its programmed time limit while it is still involved in the transfer, it immediately aborts the PC AT bus cycle and signals the processor that it needs to retry the PC AT bus operation. The MXIbus transfer will continue until completion. Because the timer register is 16 bits wide, it is necessary to write the timer data bits twice to load the entire count. The order of the two writes should be least significant byte (LSB) first, then the most significant byte (MSB). Immediately before making these two writes, you must initialize the timer unit by writing the Timer Control Register. The following equation shows how to calculate the master-mode timer limit.

$$\text{Master Mode Timer Limit} = (256 * \text{MSB} + \text{LSB}) * 100 \text{ ns}$$

Refer to the *Initializing the Timers* section in Chapter 5, *Programming Considerations*, for more information on programming the Master Mode Timer Register.

System Controller Timer Register

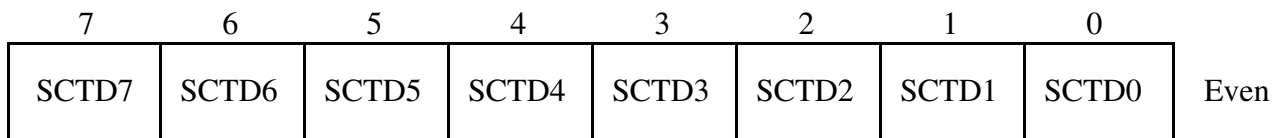
Function: This register is used to set the limit on the amount of time that the AT-MXI will allow a MXIbus cycle to continue without completion. This register is only used when the AT-MXI is programmed as the MXIbus System Controller.

Address: I/O Base Address + 14 hex

Type: Write Only

Size: 8-bit Only

Bit Map:



Bit	Mnemonic	Description
-----	----------	-------------

7-0	SCTD[7-0]	System Controller Timer Data Bits
-----	-----------	-----------------------------------

These bits are used to program the amount of time the AT-MXI will allow an ongoing MXIbus cycle to continue before terminating it with a bus error condition. This register is valid only when the AT-MXI is programmed as the MXIbus System Controller. Because the timer register is 16 bits wide, it is necessary to write the timer data bits twice to load the entire count. The order of the two writes should be least significant byte (LSB) first, then the most significant byte (MSB). Immediately before making these two writes, you must initialize the timer unit by writing the Timer Control Register. The following equation shows how to calculate the master-mode timer limit.

$$\text{System Controller Timer Limit} = (256 * \text{MSB} + \text{LSB}) * 800 \text{ ns}$$

Refer to the *Initializing the Timers* section in Chapter 5, *Programming Considerations*, for more information on programming the System Controller Timer Register.

Timer Control Register

Function: This register is used to initialize the timer registers prior to programming.

Address: I/O Base Address + 16 hex

Type: Write Only

Size: 8-bit Only

Bit Map:

7	6	5	4	3	2	1	0	
CS1	CS0	1	1	0	1	0	0	Even

Bit	Mnemonic	Description
------------	-----------------	--------------------

7-6	CS[1-0]	Counter Select Bits
-----	---------	---------------------

These bits select the timer register that will be initialized. The Timer Control Register must be written prior to accessing any of the three timer data registers. The following table shows the values of the bits needed to select each of the three timer registers.

CS1	CS0	Timer Selected
0	0	Slave Mode Timer Register
0	1	Master Mode Timer Register
1	0	System Controller Timer Register
1	1	Reserved (Do not use)

5-0	110100	Counter Mode
-----	--------	--------------

These bits are used to initialize the selected timer prior to writing to the timer value and should always be written with the bit pattern shown.

Chapter 5

Programming Considerations

This chapter contains information on how to program the AT-MXI interface registers. Use this chapter together with the register and bit descriptions in Chapter 4, *Register Descriptions*.

Note: *If you plan to use the NI-VXI bus interface software package, you do not need to read this chapter because all low-level register programming is handled automatically by NI-VXI software routines.*

Initialization

The AT-MXI must be initialized prior to operation. After a PC AT reset and until it is initialized, the AT-MXI appears as a passive PC AT device with no functionality and requires no PC AT or MXIbus memory resources. Some initialization steps are required before any MXIbus operations can be performed, while others are needed only if the AT-MXI will require the desired functionality. Once the AT-MXI has been initialized, it remains enabled and retains its configuration until the AT-MXI is either reconfigured or reset.

Initializing the Timers

Three onboard timers are used to generate specific timing delays for the following AT-MXI interface functions:

- MXIbus System Controller timeout period
- Master-mode ready timeout period
- Slave-mode local bus timeout period

Each timer must be programmed and enabled before its associated function can be used. For example, if the AT-MXI is the MXIbus System Controller, you should program and enable the System Controller timer prior to *any* device using the MXIbus. In general, it is a good idea to program all three timers during AT-MXI initialization, prior to any MXIbus activity.

Each of the three timers is programmed for a specific function. Table 5-1 summarizes their function, input frequency, output period algorithm, and suggested programming information.

Table 5-1. AT-MXI Timers

Timer	Function	Input Frequency	Output Period	Suggested Period	Suggested Count
Slave Mode	Local Bus Timeout	10 MHz	count/ 10 MHz	12.3 μ s	123 (7b hex)
Master Mode	Ready Timeout	10 MHz	count/ 10 MHz	14.8 μ s	148 (94 hex)
System Controller	SC Timeout	1.25 MHz	count/ 1.25 MHz	1 ms	1250 (4e2 hex)

The following code demonstrates how to program the System Controller timer to generate a 1 ms System Controller timeout period based on the 1.25 MHz input signal. You may change the System Controller timeout period to suit your needs. However, never set the System Controller timeout period to a value less than the worst case expected access time of any transfer, including all levels of arbitration latency. The only situation in which a System Controller timeout should occur is if the accessed slave device was either missing or inoperable. A 1 ms System Controller timeout should be more than adequate for almost any system configuration.

```

outp(TCR, 0xb4);          /* Timer 2, mode 2, program LSB then MSB */
outp(SCTR, 0xe2);        /* 1 ms timeout */
outp(SCTR, 4);

```

The master-mode timer is used to ensure that the AT-MXI does not suspend the PC AT access during master-mode cycles from the PC AT to the MXIbus longer than is allowed by the PC AT bus. Because the PC AT bus is used for dynamic memory refresh operations, a master-mode cycle should never be extended for more than 15 μ s. IBM recommends that PC AT cycles be held suspended for no more than 2.5 μ s. If the master-mode timer does time out because of the length of time it takes to access the MXIbus slave, the AT-MXI terminates the PC AT cycle and suspends the MXIbus transfer. The PC AT master should then retry the access to ensure that the MXIbus transfer is terminated properly (see the *Master-Mode Operation* section later in this chapter for more information). Because the onboard logic requires an additional 200 ns for signal propagation delays, the master-mode timer should be programmed for a maximum timeout value of 14.8 μ s. The following code demonstrates how to program the master-mode timer to time out and terminate a PC AT access that has been suspended for 14.8 μ s.

```

outp(TCR, 0x74);          /* Timer 1, mode 2, program LSB then MSB */
outp(MMTR, 0x94);        /* 14.8  $\mu$ s timeout */
outp(MMTR, 0);

```

The slave-mode timer is used to ensure that the AT-MXI does not hold control of the PC AT bus during slave-mode accesses from the MXIbus to the PC AT longer than is allowed by the PC AT bus. Because the PC AT bus is used for dynamic memory refresh operations, a PC AT bus master should never hold the PC AT bus for more than 15 μ s. Because the onboard logic requires an additional 200 ns for signal propagation delays and because PC AT devices can delay cycles for up to 2.5 μ s, the slave-mode timer should be programmed for a maximum timeout value of 12.3 μ s. The following code demonstrates how to program the slave-mode timer to time out after 12.3 μ s. This will cause the AT-MXI to release the PC AT bus after it has finished any ongoing transfer.


```

outp(TCR,0x34);      /* Timer 0, mode 2, program LSB then MSB */
outp(SMTR,0x7b);    /* 12.3 µs timeout */
outp(SMTR,0);

```

Programming the AT-MXI to be the MXIbus System Controller

There must be one (and only one) device in the system initialized as the MXIbus System Controller. The MXIbus System Controller is always the first device in the MXIbus daisy-chain and has arbitration, priority select, and timeout responsibilities. If the AT-MXI is the first device in the daisy-chain, program it to be the System Controller by setting the most significant bit in the Board Control Register as shown in the following code.

```

outp(BCR+1,0x80);    /* Initialize the AT-MXI to be the system
                      controller */

```

Initializing the AT-MXI for Slave-Mode Operation

To initialize the AT-MXI for slave-mode operation, you need to select and enable a slave-mode DMA channel. Because the DMA channel is required only to request the use of the PC AT bus, you can choose any available 8-bit or 16-bit DMA channel, regardless of the data width of the intended transfer (see the *DMA Channel Selection* section in Chapter 3 for more information). You will also need to program the AT-MXI slave-mode registers as well as the DMA channel you selected on the motherboard before slave-mode accesses can take place. After a reset and until properly programmed, the AT-MXI is a passive MXIbus slave device that will not respond to requests for PC AT resources from MXIbus masters. Any attempt by a MXIbus master to access PC AT memory or I/O resources via the AT-MXI will be denied and a MXIbus bus error will result. Notice that the AT-MXI communication registers are located on the AT-MXI board and do not require the PC AT bus in order to be accessed. As such, they can be accessed at any time and do not require that the slave-mode registers and DMA channel be properly programmed prior to operation. The required configuration steps for slave-mode operation are as follows and are in the order they should be performed.

1. Allocate system-shared resource space.
2. Program the Slave Mode Address Mapping Register (SMAMR) and the Slave Mode Address Register (SMAR).
3. Program the slave-mode DMA channel for cascade-mode operation.

Take care to properly allocate the system resources you intend to share with other MXIbus devices so that these resources do not become corrupted by the operating system or by other applications. Allocating resources normally requires a system call to reserve system memory space for a particular application. The allocation routine returns the starting address of this reserved space, which you should use to determine what values to write to the AT-MXI SMAR and SMAMR registers. Use the SMAR register to program the starting address of the shared resource space. Use the SMAMR register to program the size of this space as well as to offer a limited remapping function of the address space if you want the MXIbus address space at a different location than your PC AT memory space.

As an example, assume your application wants to share 128 KB (20000 hex) of memory space with an external MXIbus master. After requesting this memory from the operating system the allocation routine returns a starting address for the memory buffer at 40000 hex. Assume also that this address is already used by another MXIbus device. Therefore you decide to remap this memory segment to a MXIbus A24 address starting at 140000 hex. The following code shows how to program the AT-MXI slave-mode registers for these purposes.

```
outp(SMAR+1,0x14);    /* set MXIbus A24 base address to 0x140000 */
outp(SMAMR+1,0xf);   /* add offset to move starting address for PC */
outp(SMAMR,0xf0);    /* program size for 128 KB & enable slave mode */
```

The final configuration step is to properly program the slave-mode DMA controller. Because the DMA controller functions as the central arbitrating unit for gaining control of the PC AT bus, you should program the slave-mode DMA channel for cascade-mode operation only. Refer to your system documentation for more information on programming the DMA controller on your computer. Once programmed, the AT-MXI will accept MXIbus cycles intended for its address space until the PC AT computer is reset or powered off or until the DMA controller or its slave-mode registers are reprogrammed.

Initializing the Master-Mode Window

The AT-MXI has one 64 KB window that is used to access MXIbus memory from the PC AT when operating in master mode. The actual location of the window is initialized by writing to the Master Mode Address Modifier and Enable (MMAMEN) Register. It is based on the rest of the system memory needs but is always located on a 64 KB boundary in the first MB of the system's memory space.

Note: *Check to determine that the memory address space that you select for use by the AT-MXI is not already used by your computer or by any other interface installed in your PC AT computer. All devices that use system memory resources must have a unique partition of memory space for the system to operate properly. In general, most computer systems do not use the 64 KB memory address segments starting at D000 hex and E000 hex.*

It is also necessary to enable the master-mode window by setting the MMEN bit in the MMAMEN register. The following code shows how to enable the master-mode window at PC AT memory space D000 to DFFF hex.

```
outp(MMAMEN,0x1d);    /* Enable master-mode window at segment D hex */
```

Master-Mode Operation

During master-mode operation, the address modifier register is driven on the MXIbus address modifier lines (AM4 to AM0) and the page register is driven on the upper order MXIbus address lines (AD31 to AD16) so that MXIbus A24 and A32 space can be accessed. The following code shows how to set up the address modifier registers so that the 64 KB PC AT window is set to A16 space (nonprivileged). You can write the address modifier register again at any time to dynamically change window address spaces (A16, A24, and A32) and access privileges (supervisory, nonprivileged, block).

```
outp(MMAMEN+1,0x11); /* Set to A16 address modifier code */
```

Once enabled, the AT-MXI automatically translates PC AT cycles, which access memory located in the AT-MXI master-mode window, into MXIbus cycles. The translation operation is transparent and requires no additional software. However, it may be beneficial in some situations to provide additional code to take advantage of the added functionality that MXIbus provides.

The three situations that may benefit from additional software are:

- When you wish to have a memory window that can be moved or *paged* around in a larger system memory space. With this capability, you can access a much larger memory space than would normally be possible while using only a fraction of the local PC AT address space.
- When there are other MXIbus masters that are allowed to access resources on the PC AT bus asynchronously at the same time PC AT bus masters may be attempting to access resources on the MXIbus, a deadlock situation can occur. If a deadlock is encountered, the AT-MXI will prematurely terminate the PC AT cycle and the PC AT master software must retry the cycle access.
- When coupling dissimilar buses together, the timing parameters of the remote bus may not adhere to the timing restrictions imposed by the PC AT bus. Having other MXIbus or remote bus masters in the system further complicates the issue, because they may further delay the timely access to the remote slave device. Like the deadlock situation, timing delays will cause the AT-MXI to prematurely terminate the PC AT cycle, and the PC AT master software must retry the cycle access.

The following sections discuss these situations and the required software code in more detail. Notice that the following code segments must not be interrupted by any task or device that also wishes to use the AT-MXI board to either configure its operation, determine its status, or perform MXIbus transfers. Make sure you take any necessary precautions to ensure that code fragments or program segments that use the AT-MXI board to transfer a single datum across the MXIbus are indivisible. Asynchronous system events such as MXIbus interrupt servicing routines, multitasking operating systems, and alternate masters on the PC AT bus can interrupt normal program flow. These events need to be handled carefully to avoid corrupting either the AT-MXI registers or an ongoing MXIbus transfer if they also attempt to use the AT-MXI interface board.

Paging

The AT-MXI has onboard page registers you can use to move the master-mode windows around in larger system-wide memory. Page swapping is required, for example, when accessing more than 64 KB of A24 or A32 space. The page registers supply the additional address lines not provided by the PC AT access cycle but required for the MXIbus access. Notice that the A16 address space can be completely specified by the 64 KB window. No additional addressing information is required for A16 space, and all memory within A16 space can be accessed directly without page swapping.

The following example code demonstrates how to set up the address modifier and page registers to perform the following tasks:

1. Read MXIbus location 4321 hex in A16 space.
2. Change to A24 space and write MXIbus location 123456 hex.
3. Change to A32 space and read location 87654321 hex.

This code assumes the base address of the master-mode window is located at segment address D000 hex.

```

outp(MMAMEN+1,0x11);    /* Set to A16 address modifier code */
addr = 0xd4321;
data = *addr;

outp(MMAMEN+1,0x19);    /* Set to A24 address modifier code */
outp(MMAPR,0x12);      /* Set up page register */
addr = 0xd3456;
*addr = value;

outp(MMAMEN+1,1);      /* Set to A32 address modifier code */
outpw(MMAPR,0x8765);   /* Set up page register */
addr = 0xd4321;
data = *addr;

```

Once the page and address modifier registers have been programmed, you need to change them only to access a different address space or to access locations outside the memory segment available in the window space. For example, it is only necessary to execute the following commands to access location 87650000 hex in A32 space after running the code given above.

```

addr = 0xD0000;
data = *addr;

```

Deadlock

Because MXIbus is a multiple-master system bus, you have the capability to develop systems containing multiple processors or DMA controllers (masters) within different MXIbus devices, but which are still directly connected to one another's resources over the same global MXIbus network. This system configuration can be tremendously advantageous because multiple masters can operate in parallel and can still access each other's shared resources directly without the overhead of software communication protocols. The only time that individual processors would be required to synchronize their activity would be when one of the MXIbus masters accesses the other's resources. Because multiple processors can operate simultaneously across a MXIbus system of almost any topology, it is easy to classify and adjust system performance.

When a system that contains multiple processors operates in parallel without a global arbitration mechanism, it is possible that two or more processors may attempt to access each other's resources simultaneously, resulting in a system deadlock. Notice that deadlocks are possible only if multiple processors are allowed to access *each other's* resources *asynchronously*. To avoid simultaneous asynchronous transfers, you could use a software message-passing protocol, which could prohibit such an occurrence by acting as a traffic cop. In the absence of such a protocol, masters that have a possibility of deadlocking with other masters must have a backoff and retry mechanism.

The AT-MXI has onboard logic that can sense a deadlock condition and automatically back off (terminate) the PC AT master access. The AT-MXI will then signal the local master that a deadlock condition has occurred, either by the DeadLock (DL) bit in the Board Status Register (BSR) or via a PC AT interrupt. The PC AT master can then retry the operation at a later time.

The following code is an example of a routine that would check for a deadlock after a master-mode write transfer and retry the access if a deadlock occurred.

```
do
{
*addr = value;
}
while (inp(BSR+1) & DLBIT);
```

Optionally, you can set up the AT-MXI to interrupt on a deadlock condition so that additional code would be necessary only when a deadlock occurs. For more information on interrupts see the *AT-MXI Interrupts* section later in this chapter.

Timing Incompatibilities

Because the MXIbus gives you the capability to couple dissimilar bus structures together, you may find that one bus imposes timing restrictions that cannot be met by the other bus structure. For example, the PC AT bus requires that slave devices take no longer than 15 μ s to respond to a transfer. However, if the PC AT is coupled to the VMEbus, which imposes no such access time restrictions on its slaves, the PC AT access cycle could potentially time out before the VME slave responded to the transfer. This is especially true when you consider that other active VME or MXI bus masters may further delay the access to the desired slave. If you cannot guarantee that the slave will respond to a PC AT access (including all worst-case arbitration latencies), you may find it necessary to include code that would retry the access in the case of a ready timeout. This condition is called a *ready timeout* because it refers to the amount of time a PC AT slave can unassert the *READY* signal to extend the transfer.

As with deadlock conditions, the AT-MXI has onboard logic that can sense a ready timeout condition and automatically back off (terminate) the PC AT master access. The AT-MXI can then signal the master that a timeout condition has occurred, either by the Time Out (LBTO) bit in the Board Status Register or via a PC AT interrupt. The PC AT master can then retry the operation at a later time.

The following code is an example of a routine that would check for a timeout after a master-mode read transfer and retry the access if a timeout occurred.

```
do
{
data = *addr;
}
while (inp(BSR)&TOBIT);
```

Optionally, you can set up the AT-MXI to interrupt on a timeout condition so that additional code would be necessary only when a timeout occurs. For more information on interrupts see the *AT-MXI Interrupts* section later in this chapter.

Performing MXIbus Block-Mode Transfers

If a PC AT master transfers large blocks of data to or from another MXIbus device and the data is in consecutive memory locations, you may benefit from using MXIbus block-mode cycles to transfer the data. Block-mode cycles are faster because redundant addressing information is not sent with each MXIbus datum transferred. A MXIbus block-mode operation is identified by a single address broadcast at the beginning of the data sequence together with a special block address modifier code that alerts the slave device that block-mode data is being transferred. Of course, the AT-MXI can transfer block-mode data only if the intended MXIbus slave is capable of accepting MXIbus block-mode transfers.

To program the AT-MXI to transfer block-mode data on the MXIbus, you must first write one of the block address modifier codes to the MMAMEN register and set the INDIVEN bit. You can then move the block-mode data either by using a processor within the PC AT or by using the system DMA controller. Error conditions (bus error and parity error) will be latched by the AT-MXI and can be checked at the end of the block-mode sequence. To avoid corrupting the block-mode sequence, ensure that no other PC AT device or task accesses the AT-MXI board once a block-mode transfer has begun. The following two sections contain more detailed information on using a system processor or DMA controller for block-mode operation.

Using a Processor for MXIbus Blocks

To use a PC AT processor to transfer block-mode data, simply clear the MDRQEN bit in the Board Control Register (BCR) when you set the INDIVEN bit. Any PC AT memory cycles that map out of the master-mode window are then sent as part of the MXIbus block-mode sequence until the block-mode operation is terminated. The most efficient way to move blocks of data is by using a processor's *move string* instruction, because it can move large amounts of data and requires only a single processor instruction. Prior to execution, processor registers are loaded with source and destination pointers as well as the transfer size. The processor can then move the block of data very quickly because it does not need to fetch and decode additional code to perform the data move operation.

If your processor does not have a *move string* type of instruction, you can write a small data move routine to accomplish the same objective, although it will not transfer the data as fast as a *move string* type instruction. However, because only the address of the first transfer is used on the MXIbus, it is not necessary to increment the memory address of the data transferred between the processor and the AT-MXI. Keeping the same AT-MXI memory address will make your routine not only smaller and faster, but also capable of transferring more than 64 KB of data without the need to reload the PC AT memory address to be within the 64 KB master-mode window space.

To properly terminate the block-mode operation, the INDIVEN bit in the MMAMEN register must be cleared prior to transferring the last datum in the block-mode sequence. This will cause the AT-MXI circuitry to correctly end block-mode operation when it receives the last datum of the sequence.

Using the System DMA Controller for MXIbus Blocks

You can also use the system's DMA controller to transfer MXIbus block-mode data. You may prefer this method to using the processor if the system DMA controller can transfer data faster than the processor or if the processor could be doing other useful work during the block-mode operation. Because the system DMA controller will *steal* cycles from the processor when it needs to transfer data to the AT-MXI, it is possible that the MXIbus block-move operation could be done in the background while the processor is busy with other tasks.

Before you transfer block-mode data with the system DMA controller, you must first select an available DMA channel by properly positioning the DMA jumpers on the AT-MXI interface board. Notice that the PC AT has both 8-bit and 16-bit DMA channels. Be certain that the channel you select for block-mode transfers matches the width of the block-mode data (see the *DMA Channel Selection* section in Chapter 3 for more information).

To use the DMA controller to transfer block-mode data, set the MDRQEN bit in the BCR register when the INDIVEN bit is set. This signals the AT-MXI to use the system's DMA controller to transfer the data. Make sure the DMA channel selected for block-mode transfers is properly programmed. Refer to your system documentation for more information on programming the DMA controller on your computer. Because the PC AT DMA controller does not support memory-to-memory DMA transfers, and because the MXIbus is a memory-mapped bus, the system processor must prime the initial block-mode address. This is done by accessing the first datum in the block-mode sequence with the processor. Program the DMA controller to start with the second datum in the memory array. As soon as the first transfer is complete, the AT-MXI will start requesting DMA cycles to automatically complete the rest of the transfers in the sequence.

Once a DMA transfer has begun, no other MXIbus transfer should be attempted until the DMA transfer has completed or until the operation has been aborted. You may continue to access the BSR register without affecting MXIbus operation. You can determine when the DMA controller is finished with the block-mode sequence by polling the system DMA controller. Optionally, the AT-MXI can be set up to interrupt when the DMA controller completes the transfer. This is done by setting the TCIE bit in the BCR register. For more information on interrupts see the *AT-MXI Interrupts* section later in this chapter.

If the block transfer size is greater than the maximum amount of data that the DMA controller can handle during a single programming cycle, you can reprogram the DMA controller as many times as is necessary to transfer all the data. This will not affect the block-mode operation on the MXIbus.

Unlike using the processor to transfer block-mode data, there is no need for the software to clear the INDIVEN bit prior to the last transfer in the block sequence when you are using the DMA controller to move data. The AT-MXI contains circuitry that recognizes when the DMA controller is finished with the transfer and automatically clears the INDIVEN bit at the proper time. To enable this feature, set the TCENDEN bit in the MMAMEN register. Notice that if a block-mode operation is so large that it requires multiple DMA programming cycles, you should only set the TCENDEN bit prior to last DMA programming cycle in the block-mode sequence.

Performing MXIbus Indivisible Transfers

Like block-mode cycles, indivisible transfers use a single MXIbus address broadcast at the beginning of the operation and cannot be interrupted by other MXIbus masters. In fact, indivisible transfers can be thought of as block-mode cycles that always address the same memory location in the remote MXIbus device. Indivisible cycles are distinguished from block-mode cycles only by the address modifier code used during the transfer. Typical applications for indivisible cycles include channel I/O and read-modify-write operations. The following paragraphs discuss these applications in more detail.

Channel I/O Transfers

Channel I/O operations can transfer data at higher speeds than standard MXIbus cycles because redundant addressing information is not sent with each datum transferred. The only requirements for channel I/O operation are that all cycles be of the same type (either read or write), and that the slave device supports channel I/O operations, that is, it has a device port or FIFO at a single memory address that can be quickly loaded and unloaded.

All the programming considerations given in the *Performing MXIbus Block-Mode Transfers* section are also applicable for channel I/O operations (including DMA operations). The only difference is that block-mode address modifiers codes are not used during channel I/O operations.

Read-Modify-Write Cycles

You can use read-modify-write cycles to establish reliable semaphores in global memory space. These cycles are an essential part of a multi-processor system. Because the PC AT bus does not define a read-modify-write transfer type, the AT-MXI has no indication when a PC AT master is

attempting to manage an established semaphore region. As such, it is necessary to write the INDIVEN bit in the MMAMEN register before attempting a read-modify write transfer. Setting the INDIVEN bit prohibits other MXIbus masters from interrupting the read-modify-write sequence. Clear the INDIVEN bit prior to the last transfer of the sequence. If you want to use MXIbus memory locations for semaphore locations, you need to write your own read-modify-write routine that also properly manages the AT-MXI INDIVEN bit. Also ensure that the operation sequence is not interrupted by other PC AT bus masters.

Locking the MXIbus

Locking the MXIbus prevents other MXIbus bus masters from taking control of the MXIbus from the AT-MXI once it has won it through arbitration. This can be beneficial if you want to ensure a deterministic performance. You may also want to lock the MXIbus when you want to execute an indivisible sequence of operations on the MXIbus and you cannot use the standard MXIbus indivisible transfer types either because the MXIbus slave does not support them or because the MXIbus address needs to be changed during the indivisible transfers. Notice that both the standard MXIbus indivisible cycles and MXIbus block-mode operations automatically lock the MXIbus, so you do not need to lock the bus manually during these operations. Locking the MXIbus is only useful when there are other MXIbus masters in the system.

The AT-MXI locks the MXIbus when the LOCKMB bit in the BCR register is set. No other MXIbus master can arbitrate for the MXIbus until the LOCKMB bit is cleared. LOCKMB can be set or cleared at any time and would generally *frame* the cycles that need to be locked. Because locking the MXIbus for an extended period of time can starve system resources, you should lock the MXIbus only when absolutely necessary and only for as short a tenure as possible.

Notice that although locking the MXIbus prohibits MXIbus masters from interrupting a sequence of MXIbus operations, it does not necessarily prevent masters that may exist on the remote device's bus structure from arbitrating for and winning control of the remote bus structure, thereby interrupting the data sequence on the remote bus structure. Therefore, it may also be necessary to lock the remote bus structure before attempting a locked sequence of operations on the MXIbus. Check the slave-mode documentation that came with the remote MXIbus device for more information on locking its resources.

Slave-Mode Operation

Once initialized for slave-mode operation, the AT-MXI does not need to be accessed again from the PC AT bus. The AT-MXI hardware will automatically respond to all MXIbus accesses intended for PC AT resources transparently to any operation or processor on the PC AT bus. Any additional slave-mode programming of the AT-MXI will come from other MXIbus masters via the MXIbus.

Because MXIbus masters can access PC AT resources at any time after the AT-MXI board and system DMA controller have been initialized, you should be very careful about disabling or reprogramming slave-mode operation. If you must disable slave-mode operation either to ensure another PC AT master indivisible cycles on the PC AT bus or to increase the size of the slave-mode window, make sure that slave-mode operation is disabled for as briefly a time as possible and that you use the slave-mode channel of the DMA controller to perform the disabling and re-enabling functions. Do not use the A24EN bit in the SMAMR register to disable slave-mode operation because it could prematurely terminate an outstanding MXIbus access to PC AT resources. The AT-MXI has circuitry that will latch a MXIbus request until the slave-mode DMA channel is re-enabled.

Locking the PC AT Bus

Locking the PC AT bus prevents other PC AT bus masters from taking the PC AT bus from the AT-MXI once it has won control of the bus. The AT-MXI automatically locks the PC AT bus when it detects either a standard MXIbus indivisible cycle or a MXIbus block-mode operation that maps to its PC AT resources. In addition, a MXIbus master can manually lock the PC AT bus at any time by writing to the PC LOCK Register on the AT-MXI at A16 offset C020 hex. You may want to lock the PC AT bus manually if the MXIbus master is not performing a MXIbus indivisible or block-mode operation but it still needs to ensure that the PC AT bus cycles generated by the AT-MXI are not interrupted by other PC AT bus masters.

The AT-MXI locks the PC AT bus when an external MXIbus master writes a 1 to the AT-MXI PC LOCK Register. No other PC AT bus master can arbitrate for the PC AT bus until the MXIbus master writes a 0 to the PC LOCK Register, clearing it. The PC AT bus can be locked at any time and would generally *frame* the cycles that need to be locked. Because locking the PC AT bus for an extended period of time can starve system resources, you should lock the PC AT bus only when absolutely necessary and only for as short a tenure as possible. The AT-MXI contains circuitry that ensures that the PC AT system DRAM is still refreshed properly if the PC AT bus is locked for more than 15 μ s.

The PC LOCK register is a write-only register and is described as follows:

15	14	13	12	11	10	9	8
0	0	0	0	0	0	0	0
7	6	5	4	3	2	1	0
0	0	0	0	0	0	0	LOCKPC

Bit	Mnemonic	Description
15-1	0	Reserved Bits These bits are reserved for future use. Always write a 0 to these bits.
0	LOCKPC	Lock PC AT Bus Bit Setting this bit causes the AT-MXI to lock PC AT arbitration so no other PC AT bus masters can intervene on incoming MXIbus cycles. It is intended for the MXIbus master to control this bit. This bit is cleared after a hard reset.

Using the AT-MXI Communication Registers

The AT-MXI communication registers follow the configuration and communication register format of the VXIbus specification. For more information on using these registers in a predefined manner, refer to the most current version of the specification.

The AT-MXI has two registers that are accessible from the MXIbus and that can be used to communicate information to other MXIbus devices. These registers, called the PROTOCOL and SIGNAL registers, are both 16 bits wide and are located in A16 space at offset C008 hex. The PROTOCOL register is a read-only register that is used to indicate the protocols and communication capabilities of the AT-MXI. The SIGNAL register is a write-only register used for general device-to-device signaling. Other MXIbus masters use this register to send the AT-MXI signals or data words of information very quickly.

The PROTOCOL register is described as follows:

15	14	13	12	11	10	9-0
CMDR*	SIGNAL REGISTER*	MASTER*	INTERRUPTER	FHS*	SHARED MEMORY*	RESERVED

Bit	Mnemonic	Description
15	CMDR*	The AT-MXI returns a 0 in this field, indicating that it has Commander capability.
14	SIGNAL REGISTER*	The AT-MXI returns a 0 in this field, indicating that it has a Signal register.
13	MASTER*	The AT-MXI returns a 0 in this field, indicating that it has MXIbus Master capability.
12	INTERRUPTER	The AT-MXI returns a 0 in this field, indicating that it does not have interrupter capability.
11	FHS*	The AT-MXI returns a 1 in this field, indicating that it does not support the Fast Handshake mode.
10	SHARED MEMORY*	The AT-MXI returns the value programmed in the SMEM* bit of the BCR register. A 0 in this field indicates that the AT-MXI supports the optional VXIbus shared memory protocol. A 1 indicates that the shared memory protocol is not supported.
9-0	RESERVED	These bits are reserved for future definition and will return all ones (3F hex).

The SIGNAL register is implemented on the AT-MXI as a 16-word deep FIFO. Data can be input to the FIFO by writing to A16 offset C008 hex from the MXIbus. For efficient system operation, the PC AT processor must quickly detect and remove data from the FIFO. If the FIFO becomes full and cannot accept any more data because it is not being emptied quickly enough, the AT-MXI will send a bus error signal to the MXIbus master if more data is sent to the FIFO.

The PC AT processor can determine if there is data to be read by checking the SIGRDY bit in the BSR register. Optionally, you can set up the AT-MXI to interrupt when there is data in the SIGNAL register FIFO.

AT-MXI Interrupts

Interrupts alleviate the processor from the necessity of polling the AT-MXI registers for changes in the status of the hardware or the MXIbus. This is an important consideration if the processor has other useful work to do or if you need an immediate or deterministic response to changes in status conditions.

The AT-MXI has an elaborate interrupt scheme in which up to 10 different status changes on the AT-MXI can interrupt the PC AT processor on up to three different interrupt levels. The software can individually enable and disable interrupt conditions while the PC AT interrupt level(s) used for these interrupting conditions are selected by the placement of hardware jumpers on the AT-MXI interface board (see the *Interrupt Level Selection* section in Chapter 3 for more information).

To configure the AT-MXI to interrupt on the PC AT bus, select the interrupting conditions by setting the corresponding interrupt enable bits in the BCR register. The interrupt enable bits are located in the six least significant bits of the BCR register. You can set any number of these bits at a time. Notice that the four master-mode exception conditions (parity error, bus error, deadlock, and timeout) share a common interrupt enable (MMEXCIE). All interrupt conditions that are enabled will be *ORed* together to form a single interrupt condition called the *board interrupt*. The Board INTerrupt ENable (BDINTEN) bit in the BCR register must be set to enable the board interrupt condition to use the interrupt level selected by the BDINT jumper.

One interrupt condition, the MXIbus signal *IRQ**, can interrupt the PC AT processor on its own separate level. This enables the processor to respond more quickly to an *IRQ** condition because it does not need to poll the AT-MXI board to determine the cause of the interrupt. In addition, the *IRQ** condition can be set at either a higher or lower priority level than the BDINT conditions. To enable this feature, set the MBINTEN bit in the BCR register. Use the jumper labeled *MBINT* to select the interrupt level for this condition.

You can also have the master-mode exception conditions interrupt the PC AT on their own separate levels. This is done by setting the IOCHCKEN bit in the BCR register. The IOCHCKEN bit then causes the AT-MXI to map any master-mode exception conditions to interrupt on the PC AT processor's Non-Maskable Interrupt (NMI) level.

Once you have selected and enabled the AT-MXI interrupt conditions and levels, you next need to properly configure the system's interrupt controller. The selected interrupt levels can then be properly mapped to the processor's interrupt handler. Refer to the documentation for your computer and operating systems to determine how to configure the system to handle interrupts.

Note: *You must always configure the interrupt hardware on the AT-MXI board before configuring the interrupt controller hardware on the PC AT motherboard. Enabling the interrupt controller first could cause the interrupt controller to record erroneous interrupt conditions.*

The source of an AT-MXI interrupt can be determined by reading the BSR register within the interrupt servicing routine. Reading this register also services (clears) any master-mode exception interrupt conditions and status bits. The other interrupt conditions require additional AT-MXI or MXIbus accesses to properly service the conditions.

Chapter 6

Theory of Operation

This chapter contains a functional block diagram of the AT-MXI, a brief description of the major elements of the interface board, and a detailed description of both master-mode and slave-mode operation.

AT-MXI Functional Description

Figure 6-1 is a block diagram of the AT-MXI. The following sections describe the major components of the board.

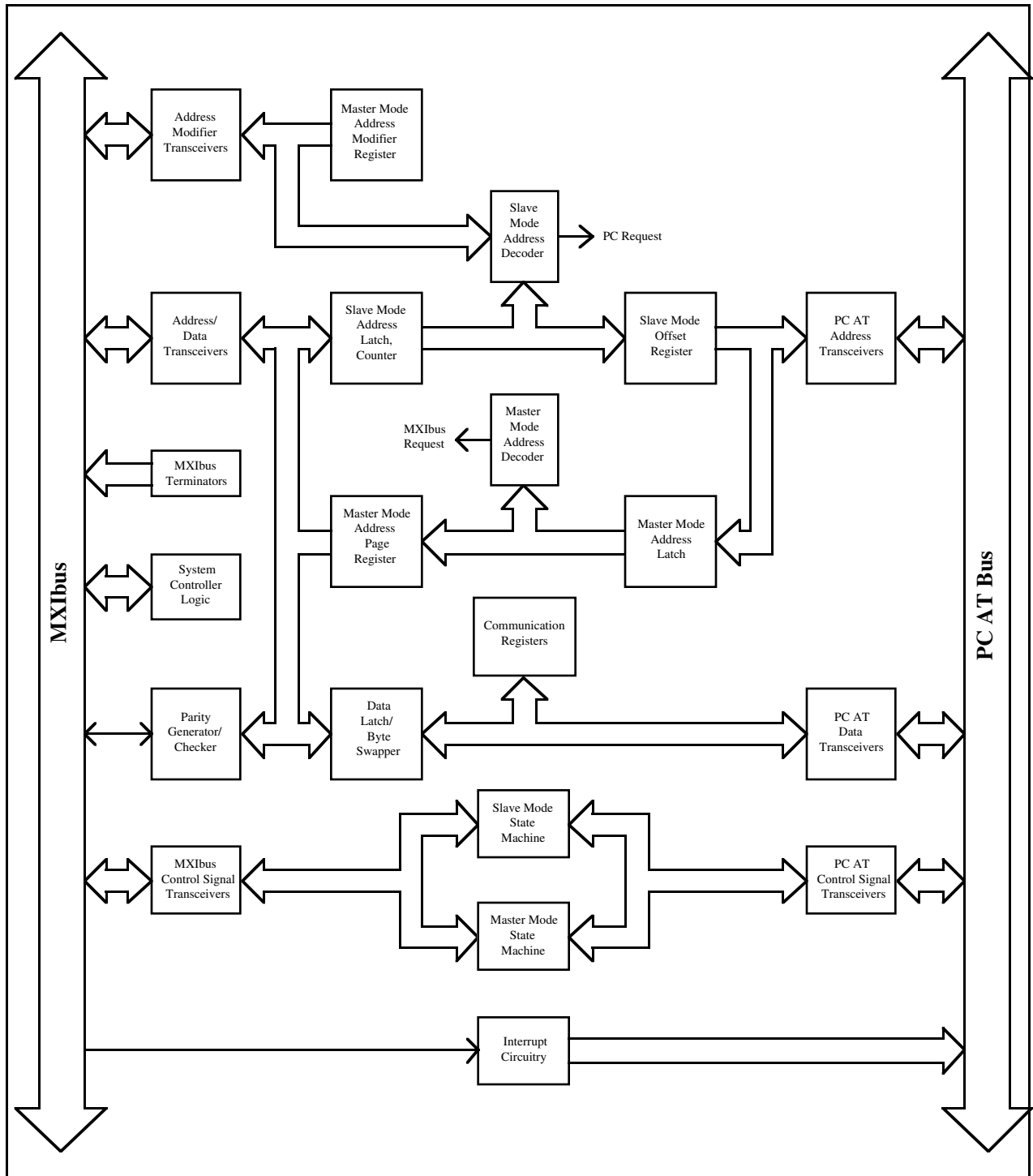


Figure 6-1. AT-MXI Block Diagram

MXIbus Terminators

This circuitry ensures that all the MXIbus signals are properly terminated as required by the MXIbus specification. An adjustable voltage regulation circuitry provides the proper Thevenin open circuit voltage while resistor SIPs provide the proper terminating characteristic impedance. The resistor SIPs are socketed so that they can be removed when the AT-MXI is not an end device on the MXIbus. Because the regulation circuitry also provides TERMPWR on the MXIbus connector, you can use external terminators with the AT-MXI for easier system reconfiguration.

System Controller Logic

This block represents the circuitry required for the AT-MXI to function as the MXIbus System Controller. These functions include the MXIbus arbitration circuitry, the MXIbus bus timeout unit (BTO) and the MXIbus priority select daisy-chain driver. You can enable this circuitry using the system software or disable it if you want other MXIbus devices to assume these responsibilities. The BTO period is software-programmable using the onboard timer unit.

Address Modifier, Address/Data, MXIbus Control Transceivers

These logic blocks represent the interface circuitry that connects the local logic on the AT-MXI interface board to the MXIbus. The transceivers ensure that the electrical, loading and signal-level transition timing requirements of the MXIbus specification are met. Together with the MXIbus control lines and AT-MXI state machines, they control the enabling and direction of the MXIbus signal flow between the AT-MXI local logic and the MXIbus.

Master-Mode Address Modifier Register

This register stores the address modifier code that will be driven on the MXIbus during master-mode transfers. The PC AT CPU must store the address modifier code in this register before a master-mode MXIbus transfer is attempted. The value stored in this register is driven onto the MXIbus address modifier lines whenever the AT-MXI owns control of the MXIbus.

Slave-Mode Address Latch/Counter

This circuitry latches the value on the MXIbus address/data lines during MXIbus address broadcasts. This is necessary because the MXIbus is a multiplexed bus structure so the address is driven on the MXIbus for only a short period of time, but the PC AT requires a steady address value to be driven on its bus throughout the data access. This circuitry also provides a steady address to the slave-mode address decoder so that it can determine if the current cycle is intended for its resources.

During MXIbus block-mode transfers, this circuitry counts (increments) the latched address to keep track of the address value of the current block-mode transfer on the MXIbus. This is necessary so that the slave-mode address decoder can continue to analyze the address during block-mode transfers. Also, because the PC AT bus does not support block-mode addressing, it provides the required addressing information to the PC AT bus during MXIbus block-mode transfers to PC AT space.

Slave-Mode Address Decoder

This circuitry monitors the MXIbus address modifier code and the latched MXIbus address to determine if the current MXIbus cycle is addressing PC AT resources. If this is the case, the slave-mode address decoder sends a signal (PC Request) to the slave-mode state machine to signal it to begin operation. The slave-mode address decoder has two 16-bit registers that must be programmed by the PC AT CPU before a MXIbus slave mode cycle is attempted to PC AT space. These values stored in these registers select the MXIbus address range(s) that will be decoded when mapping MXIbus cycles to PC AT resources.

Slave-Mode Offset Register

The Slave-Mode Offset Register is used to move or remap the MXIbus address space to a different physical address space for the PC AT bus during slave-mode operation. This is necessary so that external MXIbus masters can access any segment of the 16 MB PC AT memory space regardless of the size or location of the mapping window for the MXIbus address space. The offset register value is added to the four most significant MXIbus address lines during A24 transfers to form the mapping function. Because the AT-MXI can view all 1024 bytes of PC AT I/O space directly, there is no need to remap A16 accesses to PC AT I/O resources.

Slave-Mode State Machine

This state machine converts MXIbus cycles mapped through a MXIbus window to the PC AT system into PC AT cycles. It monitors the MXIbus control signals and the PC request signal from the slave-mode address decoder to determine when to start a MXIbus slave-mode cycle to the PC AT bus. It also controls the flow of address and data information through the AT-MXI by enabling the proper transceivers at the appropriate times. For more information, refer to the *Slave-Mode Operation* section later in this chapter.

Master-Mode Address Latch

This circuitry is used to latch the PC AT address. It provides addressing information to the MXIbus even if the PC AT cycle is prematurely terminated because of a local bus timeout condition. The value from the master-mode address latch is provided to the master-mode address decoder and, together with the master-mode address page register, is driven on the MXIbus during a master-mode address broadcast.

Master-Mode Address Decoder

This block represents the logic that monitors and decodes the latched PC AT address to determine if the PC AT cycle is intended for an external MXIbus device. If this is the case, it sends a signal (MXIbus Request) to the master-mode state machine to signal it to begin operation. The master-mode address decoder is controlled via a single 8-bit register that the PC AT CPU must program before a MXIbus master cycle is attempted. The value stored in this register determines where the 64 KB master-mode window will reside in PC AT address space.

Master-Mode Address Page Register

This register is used to supply the upper order address lines during a MXIbus master-mode transfer. Because the master-mode window space is 64 KBs in size, the low-order 16 bits of the address are supplied by the PC AT address lines. This register provides the remaining 16 bits of addressing information during master-mode address broadcasts. This register must be programmed by the PC AT CPU prior to attempting an A24 or A32 master-mode cycle.

Master-Mode State Machine

This state machine converts PC AT cycles mapped through the master-mode window to the MXIbus. It monitors the PC AT control signals and the MXIbus request signal from the master-mode address decoder to determine when to start a MXIbus master-mode cycle to an external MXIbus device. It also controls the flow of address and data information through the AT-MXI by enabling the proper transceivers at the appropriate times. For more information, refer to the *Master-Mode Operation* section later in this chapter.

Parity Generator/Checker

This block represents the circuitry that generates and checks MXIbus parity on the local multiplexed address/data bus. The AT-MXI generates and checks MXIbus parity across all 32 MXIbus address/data lines.

Data Latch/Byte Swapper

This circuitry is used to latch MXIbus data. It provides this data to the MXIbus even if the PC AT cycle is prematurely terminated due to a local bus timeout condition. It also stores data written to the AT-MXI by the PC AT DMA controller until the MXIbus slave can accept it. When the data direction is from the MXIbus to the PC AT bus, data is not latched but is provided to the PC AT in real time. This circuitry can also swap the order of the data bytes during multiple-byte transfers. This feature is software-programmable and is useful in multiple-processor system configurations where the processors do not store data using the same multiple-byte formats.

Communication Registers

These registers are used to provide a defined approach for communications between MXIbus devices. They contain information about the protocol and communication capabilities of the AT-MXI. They also are used for passing signals or data words of information between MXIbus devices very quickly.

Interrupt Circuitry

This circuitry receives interrupt requests from the MXIbus and the PC AT state machines and routes these interrupt requests on the PC AT bus interrupt lines. The enabling of interrupts is controlled by bits that the PC AT CPU writes to the Board Control Register, while hardware-configurable jumpers select the interrupt levels used on the PC AT bus.

PC AT Address, Data and Control Transceivers

These logic blocks represent the interface circuitry that connects the local logic on the AT-MXI interface board to the PC AT bus. The transceivers ensure that the electrical and loading requirements of the PC AT bus are met. Together with the PC AT control lines and AT-MXI state machines, they control the enabling and direction of the PC AT signal flow between the AT-MXI local logic and the PC AT bus.

Master-Mode Operation

When the AT-MXI is operating as a MXIbus master, it converts PC AT memory bus cycles initiated by the CPU or an alternate master on the PC AT bus into MXIbus cycles intended for a MXIbus slave device. As a MXIbus master, the AT-MXI arbitrates for the MXIbus and broadcasts an address prior to performing the read or write access to the slave device.

The AT-MXI starts a master-mode cycle whenever a PC AT master accesses a memory location within the 64 KB MXIbus master-mode window. Upon decoding an address within this window, the AT-MXI immediately unasserts the PC AT *I/O CH RDY* signal so that the local PC AT cycle can be extended to match the transfer time of the MXIbus slave device. Notice that it is not possible to access a MXIbus location that maps back to the PC AT bus on the same AT-MXI board, because the AT-MXI cannot be a MXIbus master and slave device at the same time. Upon decoding a valid PC AT address that maps to the MXIbus, the master-mode state machine will start a sequence of operations to translate the PC AT cycle into a MXIbus cycle. The following sections describe these operations in further detail.

MXIbus Arbitration

The AT-MXI arbitrates for the MXIbus if it does not already own it and it detects a PC AT transfer within the master-mode window. Arbitration begins when the AT-MXI asserts the MXIbus *BREQ** signal. The MXIbus arbiter grants the AT-MXI the MXIbus by use of the *GIN** daisy-chain signal. When the AT-MXI receives *GIN**, it asserts the MXIbus signal *BUSY** and assumes ownership of the MXIbus. If the AT-MXI is not requesting use of the MXIbus and it receives a *GIN**, it passes it to the next device via its *GOUT** daisy-chain signal.

If a PC AT bus master starts a cycle that maps to MXIbus address space but the AT-MXI cannot win MXIbus arbitration because another MXIbus master owns the MXIbus and is attempting to access PC AT resources, then the system becomes hung. This happens because neither operation can complete until the other is finished. The AT-MXI resolves this deadlock condition by terminating the PC AT cycle so that the MXIbus access to PC AT space can complete. The AT-MXI alerts the PC AT bus master that a deadlock has occurred and that the local cycle access needs to be retried. For more information on deadlocks and their resolution, see Chapter 5, *Programming Considerations*.

MXIbus devices use a Release-On-Request (ROR) arbitration scheme. When the AT-MXI gains ownership of the MXIbus, it retains ownership until another MXIbus device requests it. Therefore, if the AT-MXI owns the MXIbus and attempts another MXIbus transfer before another MXIbus device requests the bus, it does not need to re-arbitrate for the MXIbus. The AT-MXI can be forced to hold onto the MXIbus—even when another MXIbus device is requesting the MXIbus—by setting the LOCKMB bit in the Board Control Register (BCR). This causes the AT-MXI to hold the MXIbus *BUSY** signal asserted throughout the locked operation and prevents other MXIbus devices from arbitrating for the MXIbus. Setting the LOCKMB bit

also causes the AT-MXI to immediately arbitrate for the MXIbus (if it does not already own it) in anticipation of the first transfer in an indivisible sequence. This step is useful when performing indivisible operations. MXIbus block-mode and MXIbus indivisible transfers automatically hold the MXIbus for the duration of the operation.

During MXIbus indivisible or block-mode access cycles, the AT-MXI continues to hold the MXIbus AS^* signal during multiple MXIbus cycles to ensure that concurrent cycles are not interrupted by other masters. The INDIVEN bit in the MMAMEN register controls the state of the AS^* signal on the MXIbus. Clearing the INDIVEN bit causes the AS^* signal to be unasserted during the last data cycle at the proper time. This alerts the MXIbus slave device that no more MXIbus indivisible or block-mode cycles will follow.

MXIbus Address Broadcast

As soon as the AT-MXI wins control of the MXIbus, it starts the transfer by broadcasting the MXIbus address and address modifier. The AT-MXI uses the PC AT signal lines $MEMR^*$, $MEMW^*$, $SA0$, and $SBHE^*$ to generate the MXIbus signals WR^* , $AD0^*$, and $SIZE^*$ to be broadcast along with the address. The AT-MXI also calculates the address parity and broadcasts it along with the address. The AT-MXI then waits for the prescribed address setup time and asserts the MXIbus signal AS^* to indicate to the slave device that the address is valid on the bus. After the MXIbus address hold time has been met, the AT-MXI removes the address from the MXIbus AD^* bus. Table 6-1 shows the relationships between the PC AT control signals and the MXIbus control signals.

Table 6-1. PC AT Control Signals and MXIbus Control Signals

Master Mode Operation	PC AT Control Signals				MXIbus Control Signals		
	$SBHE^*$	$SA0$	$MEMR^*$	$MEMW^*$	$SIZE^*$	$AD0^*$	WR^*
8-bit write to even location	1	0	1	0	1	1	0
8-bit write to odd location	0	1	1	0	1	0	0
8-bit read to even location	1	0	0	1	1	1	1
8-bit read to odd location	0	1	0	1	1	0	1
16-bit write	0	0	1	0	0	1	0
16-bit read	0	0	0	1	0	1	1

Both the MXIbus address modifier code as well as the upper 16 bits of addressing information used during MXIbus master-mode transfers come from onboard registers that are programmed prior to the transfer. The PC AT address lines generate the least significant 16 address lines used during the master-mode address broadcast $SA0$ through $SA15$. Because the 64 KB MXIbus window may cover only a portion of the MXIbus address space, the onboard page registers are used to specify the remaining address lines so that the entire MXIbus address space can be accessed. Page registers provide a convenient means for the AT-MXI to access much more memory than can be allocated to the system. You can access all memory locations within all three MXIbus address spaces via the single 64 KB window by modifying the page and address modifier register prior to accessing the MXIbus slave device.

Master-Mode Data Transfer

If the PC AT bus master is performing a write cycle, the AT-MXI drives the data from the PC AT bus onto the MXIbus AD^* bus. The AT-MXI also calculates the data parity and broadcasts it on the parity line along with the data. The AT-MXI then waits for the prescribed data setup time and asserts the MXIbus signal DS^* to indicate to the slave device that the data on the bus is valid.

If the PC AT bus master is performing a read cycle, the AT-MXI asserts the DS^* signal after the address has been removed from the AD^* bus. This indicates to the participating slave that it can now place its data (and data parity) on the AD^* bus.

The MXIbus is processor-independent and does not specify the significance of data during multiple-byte transfers. Therefore, the AT-MXI has special circuitry to ensure that bus masters with different byte-ordering schemes can access multi-byte data in a proper and consistent manner across the MXIbus without additional software overhead. Figure 6-2a shows the normal (non-swapped) byte ordering scheme. You can enable this *byte-swapping* circuitry by setting the SWAPMB bit in the BCR register. If enabled, the byte-swapping circuitry will cross (swap) the byte lanes between the PC AT bus and the MXIbus during 16-bit read or write data accesses as shown in Figure 6-2b.

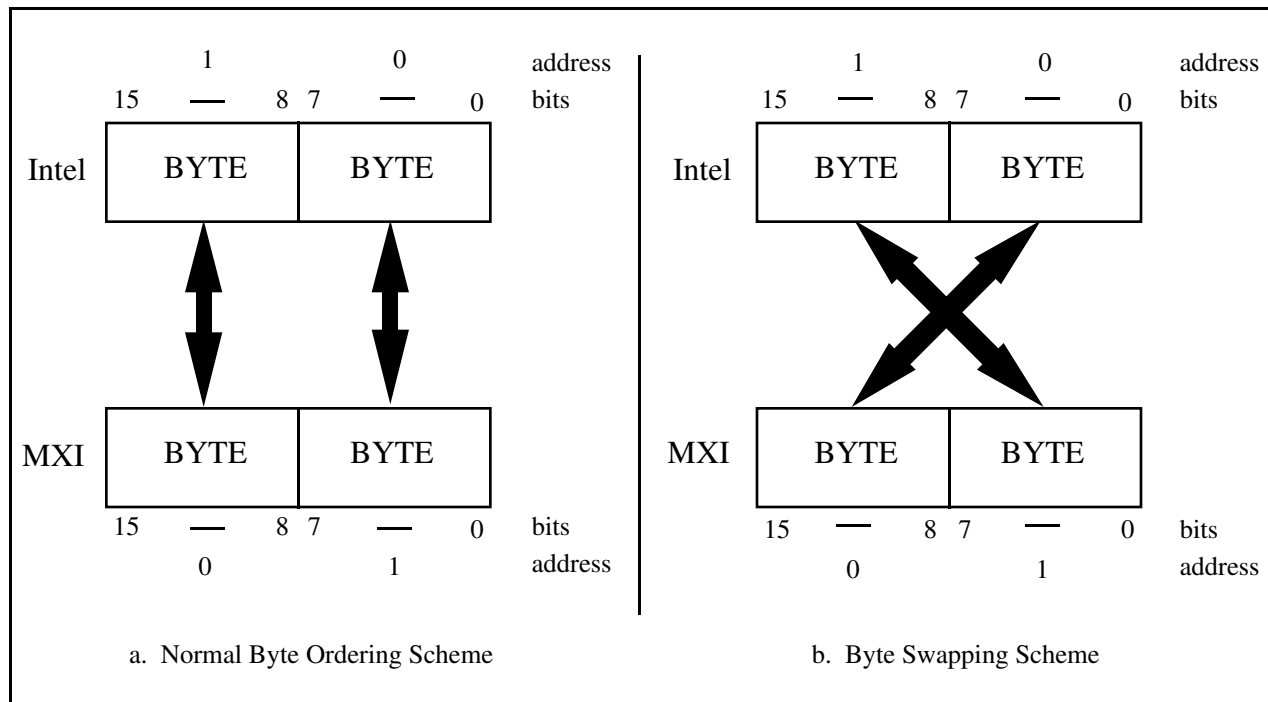


Figure 6-2. Byte-Swapping Circuitry

Master-Mode Cycle Termination

The AT-MXI continues to assert DS^* until it receives a $DTACK^*$ or $BERR^*$ signal on the MXIbus. A $DTACK^*$ signal during a write transfer indicates that data has been successfully transferred to the slave device. A $DTACK^*$ signal during a read transfer indicates that the slave has successfully accessed its internal memory and has placed the data on the AD^* bus. A $BERR^*$ can be generated by either the addressed slave or the MXIbus System Controller and indicates that the transfer was not completed successfully. An addressed slave can assert $BERR^*$ for any device-specific reason. The MXIbus System Controller asserts $BERR^*$ when no slave responds to the transfer within a specified amount of time. This action prevents the local bus (and MXIbus) from becoming hung during an attempt to access an absent or nonfunctioning MXIbus slave.

Although a MXIbus cycle can be terminated only by a MXIbus $DTACK^*$ or $BERR^*$ signal, the corresponding PC AT cycle can also be terminated by a local bus timeout condition. A local bus timeout is a condition that prematurely terminates a PC AT cycle that approaches a set time limit. This may be necessary because it could take longer to gain access to the MXIbus slave than the PC AT will allow. IBM has set a recommended maximum cycle time for a PC AT cycle at 2.5 μ s. The time limit is set by properly programming the Master Mode Timer Register.

If a local bus timeout does occur, the PC AT cycle is terminated, the LBTO (Local Bus Timeout) status bit is posted in the Board Status Register (BSR), and (optionally) the board interrupts the processor. The interrupt and/or status bit alerts the master that the transfer was not completed and must immediately be retried. Notice that the MXIbus transfer is still pending and has not been disturbed. The MXIbus transfer continues until completion even if the PC AT bus must be released and the cycle retried many times. The PC AT transfer must be retried so that the logic on the AT-MXI terminates the MXIbus transfer properly, and that valid data is returned to the PC AT master during a read operation. This also prevents PC AT operations from becoming unsynchronized with respect to MXIbus operations.

Notice that the AT-MXI automatically latches the state of the PC AT address and control lines so that the MXIbus transfer can continue if the PC AT transfer must be terminated prematurely. To avoid corrupting the ongoing MXIbus transfer, it is important that the software does not attempt any MXIbus transfer other than the cycle that was terminated. The software can, during this period, continue to access the BSR without affecting the operation of the ongoing MXIbus transfer.

When the slave does generate a $DTACK^*$ signal or when either the slave or the MXIbus System Controller generates a $BERR^*$ signal, the AT-MXI terminates the MXIbus cycle by releasing DS^* and terminates the current PC AT cycle by asserting $I/O\ CH\ RDY$. If the cycle was terminated by a $BERR^*$, a bit is set in the BSR and (optionally) the processor is interrupted. The AT-MXI releases the MXIbus AS^* signal before it releases DS^* if no indivisible or block-mode cycles are to follow.

Slave-Mode Operation

When the AT-MXI is operating as a MXIbus slave, it converts MXIbus cycles initiated by a remote MXIbus master into PC AT master cycles intended for a PC AT slave device. During a slave-mode cycle, the AT-MXI arbitrates for the PC AT bus prior to performing the read or write access to the PC AT slave device. Notice that although both PC AT memory and I/O space can be accessed from the MXIbus, some internal resources within the PC AT, such as the PC AT DMA controller, cannot be accessed by the AT-MXI because they are not connected to the PC AT I/O bus. Nor is it possible during slave-mode operation to access a memory location that maps back out the MXIbus on the same AT-MXI board, because the AT-MXI cannot be a MXIbus master and slave device at the same time.

Slave-Mode Address Mapping

After you have enabled slave-mode operation by properly programming the onboard configuration registers, the AT-MXI interface functions as a MXIbus slave whenever a MXIbus cycle requests access to an area in MXIbus memory space that maps to the PC AT bus. The AT-MXI uses the MXIbus address modifier signals *AM4* and *AM3* to determine which address space is selected as well as to determine the number of MXIbus address lines that it should decode. PC AT I/O resources and the AT-MXI communication registers map to A16 space while PC AT memory resources map to A24 space. The AT-MXI does not map any resources to A32 space.

The AT-MXI reserves 64 bytes of A16 space for its onboard communication registers. This reserved space is located from C000 hex to C03f hex and cannot be moved or disabled. Be careful when assigning A16 space to be used for PC AT I/O resources to be sure that it does not conflict with the AT-MXI communication registers or any other registers used on other MXIbus devices.

The Slave Mode Address Register (SMAR) defines where the PC AT resources will reside in MXIbus memory space. The Slave Mode Address Mapping Register (SMAMR) is used to determine the size of the mapping window(s) and also to allow the A24 window in MXIbus address space to be mapped to a different physical address space on the PC AT bus. The least significant 20 bits of the MXIbus address lines, AD[19-0], are routed directly to the PC AT bus lines SA[19-0]. The most significant four bits of the MXIbus address lines, AD[23-20], are routed to the PC AT bus lines LA[23-20] after being added to the 2s-complement offset in the SMAMR register. This action enables the selected portion of PC AT memory to appear anywhere (on 1 MB boundaries) within the 16 MB MXIbus address space.

PC AT Bus Arbitration

The first step of a MXIbus transfer requires that the AT-MXI win control of the PC AT bus through arbitration. This step is not needed if the AT-MXI already owns the PC AT bus due to a bus lock from a previous transfer. Upon decoding a MXIbus address that maps to PC AT memory or I/O space, the AT-MXI immediately requests the use of the PC AT bus by asserting the slave DMA request signal. The DMA controller on the PC AT motherboard gains control of the bus when the microprocessor finishes with the current instruction. The slave DMA channel is granted use of the PC AT bus when no other higher priority DMA requests are pending. The DMA controller drives the slave DMA acknowledge line to signal the AT-MXI that it has control of the PC AT bus.

The AT-MXI can then assume ownership of the PC AT bus by driving the PC AT *MASTER** signal to its active level, which tri-states the DMA controller off the PC AT bus. The slave DMA request and *MASTER** signals return to their unasserted states as soon as the AT-MXI completes the data transfer. If an external MXIbus master has locked the PC AT bus, the AT-MXI retains control of the bus by continuing to assert the slave DMA request and *MASTER** signals for as long as the bus is locked.

Slave-Mode Data Transfer

When the PC AT bus has been granted to the AT-MXI, the interface decodes the MXIbus signal lines *AM4**, *AM3**, *WR**, *SIZE**, and *AD0** to determine the type of transfer being requested. The AT-MXI will use these signals to generate the PC AT signals *SA0*, *SBHE**, *IOR**, *IOW**, *MEMR**, and *MEMW** that are sourced on the PC AT bus during the transfer. Transfer types supported by the AT-MXI during slave-mode operation are 8-bit or 16-bit memory reads and writes and 8-bit or 16-bit I/O reads and writes. Because the PC AT bus is a 16-bit data bus, attempts to perform 32-bit data operations to the AT-MXI will result in a bus error. Table 6-2 summarizes the MXIbus transfer types and control signal relationships of the AT-MXI.

Table 6-2. Slave-Mode Transfer Types on the AT-MXI

MXIbus Signals					PC AT Cycle	PC AT Signals		
AM4*	AM3*	WR*	SIZE*	AD0*		SBHE*	SA0	Control
0	0	0	1	0	8-bit Memory Write - Odd	0	1	MEMW*
0	0	0	1	1	8-bit Memory Write - Even	1	0	MEMW*
0	0	0	0	1	16-bit Memory Write	0	0	MEMW*
0	0	1	1	0	8-bit Memory Read - Odd	0	1	MEMR*
0	0	1	1	1	8-bit Memory Read - Even	1	0	MEMR*
0	0	1	0	1	16-bit Memory Read	0	0	MEMR*
0	1	0	1	0	8-bit I/O Write - Odd	0	1	IOW*
0	1	0	1	1	8-bit I/O Write - Even	1	0	IOW*
0	1	0	0	1	16-bit I/O Write	0	0	IOW*
0	1	1	1	0	8-bit I/O Read - Odd	0	1	IOR*
0	1	1	1	1	8-bit I/O Read - Even	1	0	IOR*
0	1	1	0	1	16-bit I/O Read	0	0	IOR*
1	X	X	X	X	Not Supported			

After the AT-MXI drives *MASTER** active it delays between one and two PC AT *CLK* cycles and drives the address of the byte or word request on the PC AT bus. The AT-MXI also drives the PC AT system data bus if the operation is a write to PC AT memory or I/O. The AT-MXI then delays one *CLK* cycle and drives the proper PC control line (*MEMR**, *MEMW**, *IOR**, *IOW**) to its active level.

The PC AT *I/O CH RDY* signal is used to lengthen the amount of time for the AT-MXI to complete a slave-mode cycle access. A PC AT slave device can unassert the *I/O CH RDY* signal to extend the amount of time for the access to complete. The cycle will be extended by an integer number of *CLK* periods (125 ns on a standard 8-MHz PC AT).

Slave-Mode Block Transfers

If a MXIbus master asserts both address modifier lines *AMI** and *AM0** during an A24 transfer, the operation is a block-mode transfer in which multiple sequential data will be transferred with a single address broadcast. The AT-MXI latches the value from the address broadcast into an onboard counter. The counter increments to keep track of the current MXIbus address during the block-mode transfer. The amount of increment depends upon whether the block-mode data transfer is 8 bits or 16 bits wide. If the address maps to PC AT memory, the counter supplies the addressing information that the PC AT bus needs to address the memory resource. The PC AT bus is automatically locked and held by the AT-MXI during block-mode slave accesses until after the last transfer of the block mode. The AT-MXI also releases control of the PC AT bus if it detects an error during the block-mode transfer.

Slave-Mode Cycle Termination

If the AT-MXI detects that *I/O CH RDY* is asserted, it terminates the current PC AT cycle by unasserting the PC AT cycle control line and releasing the PC AT address and data bus drivers. The AT-MXI terminates the MXIbus cycle by asserting either the MXIbus *DTACK** or *BERR** signal, depending on whether the cycle completed successfully or with an error. If the PC AT bus is not locked and the MXIbus master is not performing block-mode transfers to the PC AT, the AT-MXI also releases the PC AT bus by unasserting the slave *DRQ* and *MASTER** signals.

The PC AT bus is *not* released after a transfer if either the PC AT bus has been locked or if there is an ongoing MXIbus block-mode transfer. Notice that because the PC AT supports dynamic RAM on the system bus, special DRAM refresh cycles must be performed at least once every 15 μ s. Because a MXIbus master could lock the PC AT bus for more than 15 μ s, the AT-MXI has been designed with a special local bus timeout mechanism. This circuitry ensures that the PC AT DRAM will continue to be refreshed every 15 μ s even if an external MXIbus master holds the PC AT bus for a period longer than this. For more information on local bus timeouts, see the *Initialization* section in Chapter 5, *Programming Considerations*.

The following six conditions can cause the AT-MXI to terminate a slave-mode access cycle. A successful slave-mode access cycle will cause the AT-MXI to assert the MXIbus *DTACK** signal. The other five conditions are considered slave-mode access errors and cause the AT-MXI to assert the MXIbus *BERR** signal.

- The AT-MXI terminates the current cycle with a *DTACK** if no errors occurred and the cycle completed within the specified MXIbus System Controller timeout period.
- The AT-MXI terminates the current cycle with a *BERR** if it determines, either during an address broadcast or during a data write to PC AT memory or I/O, that a parity error occurred on the MXIbus. In either case, the PC AT cycle will not be performed.
- Because the AT-MXI does not support dynamic bus sizing, it terminates the current cycle with a *BERR** if a MXIbus master attempts a transfer to the AT-MXI that is incompatible with the PC AT slave device's ability. Any 32-bit MXIbus cycle to the AT-MXI will result in a *BERR**, as would any 16-bit memory or I/O access request to an 8-bit device (the memory or I/O device does not assert *MEMCS16* or *I/OCS16**). In all cases the PC AT cycle will not be performed.
- The AT-MXI terminates the current MXIbus cycle with a *BERR** if an error occurs on the PC AT bus. A PC AT error is detected when the responding device asserts the *IO CH CK* signal in response to an attempted access. This usually indicates that a parity error was detected by the PC AT device but can also indicate any irreversible system error. Notice that the *IO CH CK* signal can come after the AT-MXI has asserted the PC AT control line, so no assumptions can be made as to whether the transfer actually took place or whether the data was correctly stored or retrieved. Also notice that an *IO CH CK* normally causes an NMI interrupt to the PC AT processor.
- The AT-MXI terminates a block-mode cycle with a *BERR** if a block-mode transfer is attempted past the last location in MXI memory (FFFFFF hex). The illegal PC AT cycle will not be performed.
- The AT-MXI terminates a MXIbus cycle with a *BERR** if a write is attempted to a full signal register. The AT-MXI Signal Register is a FIFO device that is used as a communication pipeline with other MXIbus devices. If a write is attempted to the Signal Register and the Signal Register is full because it has not yet been serviced by the PC AT processor, the AT-MXI terminates the cycle with a *BERR**.

In addition to these conditions, the MXIbus System Controller can terminate a MXIbus cycle if it exceeds the MXIbus System Controller timeout period. This could occur if the PC AT slave-mode DMA channel is not programmed properly; if the channel is disabled; or if the PC AT bus is locked by another PC AT master so that the AT-MXI cannot gain control of the PC AT bus within the MXIbus System Controller timeout period.

Appendix A

Specifications

This appendix lists various module specifications of the AT-MXI, such as physical dimensions and power requirements.

Capability Codes

MXIbus

Capability Code	Description
MA32	Master Mode A32, A24 and A16 addressing
MBLT	Master Mode block transfers
SA24	Slave Mode A24 and A16 addressing
SBLT	Slave Mode block transfers
MD16	Master Mode D16 and D08 data sizes
SD16	Slave Mode D16 and D08 data sizes
SC	Optional MXIbus System Controller
FAIR	Can be a fair MXIbus requester
LOCK	Can lock the MXIbus for indivisible transfers
TERM	Can terminate the MXIbus

AT Bus

Capability Code	Description
AM	Can function as an AT Alternate Master
LOCK	Can lock the AT bus for indivisible transfers
DMA16	Supports D08 or D16 DMA transfers
INT	Can interrupt on the PC AT bus

Electrical

Source	Typical	Direct Current (max)
+5 VDC	3.3 A	4.4 A

Environmental

Component Temperature	0° to 70° C (32° to 158° F) operating -55° to 150° C (-67° to 302° F) storage
Emissions	FCC Class A
Relative Humidity	0% to 95% noncondensing; operating 0% to 100% noncondensing; storage
Safety	Not applicable
Shock and Vibration	Not applicable

Physical

Board Size	Standard full-length AT-height board 13.36 in. by 4.8 in. (339.72 mm by 121.92 mm)
Connectors	Single fully implemented MXIbus connector
Slot Requirements	Single AT (ISA) slot

Reliability

MTBF	Contact Factory
------	-----------------

Requirements

Memory space required	64 KB
I/O space required	32 B

Timing

Master Mode

Transfer Type	Transfer Rate
Write	530 ns
Read	430 ns
Block Write	290 ns
Block Read	190 ns

Slave Mode

Transfer Type	Transfer Rate
Write	840 ns
Read	840 ns
Block Write	590 ns
Block Read	590 ns

Other

Daisy-Chain Delay 120 ns
 (Passing GIN to GOUT or GOUT generation from System Controller)

Appendix B

Mnemonics Key

This appendix contains an alphabetical listing of mnemonics used in this manual to describe signals, registers, and register bits. Refer also to the *Glossary*.

The mnemonic types in the key that follows are abbreviated to mean the following:

B	Register Bit
MBS	MXIbus Signal
PCS	PC AT Signal
R	Register

(R) or (W) following a bit or register description signifies that the register or bit is either read-only or write-only, respectively.

<u>Mnemonic</u>	<u>Type</u>	<u>Definition</u>
A		
A16EN	B	Slave Mode A16 Window Enable (W)
A16SIZE[2-0]	B	A16 Window Size (W)
A24EN	B	Slave Mode A24 Window Enable (W)
A24OFF[3-0]	B	A24 Window Offset (W)
A24SIZE[2-0]	B	A24 Window Size (W)
AD[31-0]*	MBS	MXIbus Address/Data Bus
ADDR	B	Address Space
AM[5-0]*	MBS	MXIbus Address Modifier Lines
AS*	MBS	MXIbus Address Strobe Signal
B		
BCR	R	Board Control Register (W)
BDINT	B	Board Interrupt Bit (R)
BDINTEN	B	Board Interrupt Enable Bit (W)
BERR*	MBS	MXIbus Bus Error Signal
BERR	B	Bus Error Bit (R)
BLOCK	B	Block Bit (R)
BREQ*	MBS	MXIbus Bus Request Signal
BSR	R	Board Status Register (R)
BUSY*	MBS	MXIbus Bus Busy Signal
C		
CLK		Clock
CMDR*	B	Commander Capability Bit (R)
CS[1-0]	B	Counter Select Bits (W)
D		
D[15:0]	B	Data Bus
DACK	PCS	PC DMA Acknowledge Lines
DL	B	Deadlock Bit (R)
DRQ	PCS	PC DMA Request Lines
DS*	MBS	MXIbus Data Strobe Signal
DTACK*	MBS	Data Transfer Acknowledge Signal
F		
FAIRMB	B	Fair MXIbus Requester Bit (W)
FHS*	B	Fast Handshake Mode Bit (R)
G		
GIN*	MBS	MXIbus Bus Grant In Signal
GOUT*	MBS	MXIbus Bus Grant Out Signal

<u>Mnemonic</u>	<u>Type</u>	<u>Definition</u>
I		
INDIVEN	B	Indivisible Access Enable Bit (W)
IOCHCKEN	B	IO Channel Check Interrupt Enable Bit (W)
I/O CH CK	PCS	I/O Channel Check Signal
I/O CH RDY	PCS	I/O Channel Ready Signal
IOR*	PCS	PC I/O Read Signal
IOW*	PCS	PC I/O Write Signal
IRQ*	MBS	MXIbus Interrupt Request Signal
L		
LA[23-17]	PCS	PC Unlatched Address Bus
LBTO	B	Local Bus Timeout Bit (R)
LOCK	R	LOCK Register
LOCKMB	B	Lock MXIbus Bit (W)
LOCKPC	B	Lock PC Bit (W)
M		
MBREQ	B	MXIbus Request Bit (R)
MBSC	B	MXIbus System Controller Bit (W)
MBINTEN	B	MXIbus Interrupt Enable Bit (W)
MBIRQIE	B	MXIbus Interrupt Request Interrupt Enable Bit (W)
MDRQEN	B	Master DMA Request Enable Bit (W)
MEMR*	PCS	PC Memory Read Signal
MEMW*	PCS	PC Memory Write Signal
MMA[31-16]	B	Master Address Bits for Address Lines 31 through 16 (W)
MMAM	R	Master Mode Address Modifier Register (W)
MMAM[4-0]	B	Master Mode Address Modifier Bits (W)
MMAMEN	R	Master Mode Address Modifier and Enable Register (W)
MMAPR	R	Master Mode Address Page Register (W)
MMEN	B	Master Mode Enable Bit (W)
MMEXCIE	B	Master Mode Exception Interrupt Enable Bit (W)
MMEXCINT	B	Master Mode Exception Interrupt Bit (R)
MMTD[7-0]	B	Master Mode Timer Data Bits (W)
MMTR	R	Master Mode Timer Register (W)
MMWA[19-16]	B	Master Mode Window Address (W)
N		
NMI		PC Non-Maskable Interrupt level
O		
OWNMB	B	Own MXIbus Bit (R)
OWNMBIE	B	Own MXIbus Interrupt Enable Bit (W)
OWNMBINT	B	Own MXIbus Interrupt Bit (R)

<u>Mnemonic</u>	<u>Type</u>	<u>Definition</u>
P		
PC LOCK	R	AT-MXI PC AT Bus Lock Register (W)
PCREQ	B	PC Request Bit (R)
PCREQIE	B	PC Request Interrupt Enable Bit (W)
PCREQINT	B	PC Request Interrupt Bit (R)
PERR	B	Parity Error Bit (R)
R		
RESET	PCS	PC AT Reset signal
RMBIRQ	B	Receive MXIbus Interrupt Request Bit (R)
S		
SA[19-0]	PCS	PC Address Bus
SA[23-17], SA[15-9]	B	Slave Address bits for Address Lines (W)
SBHE*	PCS	PC System Byte High Enable Signal
SCTD[7-0]	B	System Controller Timer Data Bits (W)
SCTR	R	System Controller Timer Register (W)
SDRQEN	B	Slave DMA Request Enable Bit (W)
SHARED MEMORY*	B	AT-MXI Shared Memory Protocol Bit (R)
SIGNAL REGISTER*	B	AT-MXI Signal Register Bit (R)
SIGRDY	B	Signal Register Ready Bit (R)
SIGRDYIE	B	Signal Ready Interrupt Enable Bit (W)
SIZE*	MBS	MXIbus Size Signal
SMAMR	R	Slave Mode Address Mapping Register (W)
SMAR	R	Slave Mode Address Register (W)
SMEM*	B	Shared Memory Bit (W)
SMTD[7-0]	B	Slave Mode Timer Data Bits (W)
SMTR	R	Slave Mode Timer Register (W)
SR	R	Signal Register (R)
SWAPMB	B	MXIbus Master Mode Swap Bit (W)
T		
TCENDEN	B	Terminal Count End Enable Bit (W)
TCIE	B	Terminal Count Interrupt Enable Bit (W)
TCINT	B	Terminal Count Interrupt Bit (R)
TCR	R	Timer Control Register (W)
W		
WR*	MBS	MXIbus Write Signal

Appendix C

MXIbus Connector Description

This appendix describes the connector pin assignments for the MXIbus connector.

MXIbus Connector

The MXIbus signals are assigned to the device connector as shown in Figure C-1 and Table C-1.

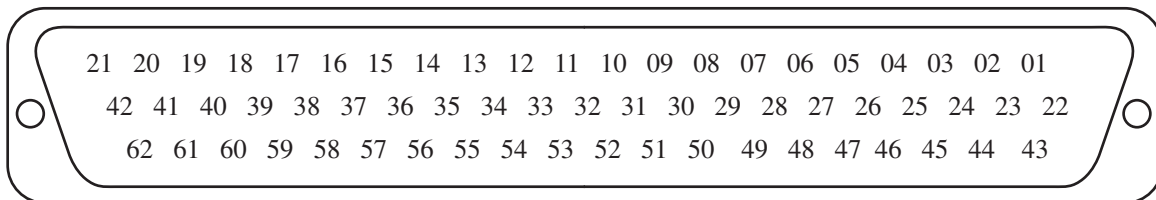


Figure C-1. MXIbus Connector

Table C-1. MXIbus Connector Signal Assignments

Pin	Signal Name	Pin	Signal Name	Pin	Signal Name
1	AM4*	22	AD15*	43	PAR*
2	AM3*	23	AD14*	44	SIZE*
3	AM2*	24	AD13*	45	BREQ*
4	AM1*	25	AD12*	46	BUSY*
5	AM0*	26	AD11*	47	GND
6	AD31*	27	AD10*	48	GND
7	AD30*	28	AD09*	49	GND
8	AD29*	29	AD08*	50	GND
9	AD28*	30	AD07*	51	GND
10	AD27*	31	AD06*	52	GND
11	AD26*	32	AD05*	53	GND
12	AD25*	33	AD04*	54	GND
13	AD24*	34	AD03*	55	GND
14	AD23*	35	AD02*	56	GND
15	AD22*	36	AD01*	57	GND
16	AD21*	37	AD00*	58	GND
17	AD20*	38	DS*	59	GOUT*
18	AD19*	39	AS*	60	GIN*
19	AD18*	40	WR*	61	IRQ*
20	AD17*	41	DTACK*	62	TERMPWR
21	AD16*	42	BERR*		

The MXIbus defines 49 active signals, 12 ground lines, and 1 line for terminator power. Table C-2 describes the signals on the MXIbus connector and groups them in five categories.

Table C-2. MXIbus Signal Groupings

Category	Description	Signal Name	Lines	Pin Numbers
Address/Data	Address/Data	<i>AD[31-00]*</i>	32	6-37
	Address Modifier	<i>AM[4-0]*</i>	5	1-5
	Address Strobe	<i>AS*</i>	1	39
	Transfer Size	<i>SIZE*</i>	1	44
	Read/Write	<i>WR*</i>	1	40
	Data Strobe	<i>DS*</i>	1	38
	Data Acknowledge	<i>DTACK*</i>	1	41
	Parity	<i>PAR*</i>	1	43
Arbitration	MXIbus Busy	<i>BUSY*</i>	1	46
	MXIbus Request	<i>BREQ*</i>	1	45
	MXIbus Grant In	<i>GIN*</i>	1	60
	MXIbus Grant Out	<i>GOUT*</i>	1	59
Interrupt	Interrupt Request	<i>IRQ*</i>	1	61
Utility	MXIbus Error	<i>BERR*</i>	1	42
Power	Ground	<i>GND</i>	12	47-58
	Terminator Power	<i>TERMPWR</i>	1	62

Notice that there are 12 ground contacts on the connector. The 48 twisted ground lines in the cable are generated from these lines under the cable connector hood. Also notice that although there are two connector contacts required for the GIN*–GOUT* daisy-chain, only one signal line is required in the cable assembly.

For more information, refer to the MXIbus specification.

Appendix D

Customer Communication

For your convenience, this appendix contains forms to help you gather the information necessary to help us solve technical problems you might have as well as a form you can use to comment on the product documentation. Filling out a copy of the *Technical Support Form* before contacting National Instruments helps us help you better and faster.

National Instruments provides comprehensive technical assistance around the world. In the U.S. and Canada, applications engineers are available Monday through Friday from 8:00 a.m. to 6:00 p.m. (central time). In other countries, contact the nearest branch office. You may fax questions to us at any time.

Corporate Headquarters

(512) 795-8248

Technical support fax: (800) 328-2203

(512) 794-5678

Branch Offices	Phone Number	Fax Number
Australia	(03) 879 9422	(03) 879 9179
Austria	(0662) 435986	(0662) 437010-19
Belgium	02/757.00.20	02/757.03.11
Denmark	45 76 26 00	45 76 71 11
Finland	(90) 527 2321	(90) 502 2930
France	(1) 48 14 24 00	(1) 48 14 24 14
Germany	089/741 31 30	089/714 60 35
Italy	02/48301892	02/48301915
Japan	(03) 3788-1921	(03) 3788-1923
Netherlands	03480-33466	03480-30673
Norway	32-848400	32-848600
Spain	(91) 640 0085	(91) 640 0533
Sweden	08-730 49 70	08-730 43 70
Switzerland	056/20 51 51	056/20 51 55
U.K.	0635 523545	0635 523154

Technical Support Form

Photocopy this form and update it each time you make changes to your software or hardware, and use the completed copy of this form as a reference for your current configuration. Completing this form accurately before contacting National Instruments for technical support helps our applications engineers answer your questions more efficiently.

If you are using any National Instruments hardware or software products related to this problem, include the configuration forms from their user manuals. Use additional pages if necessary.

Name _____

Company _____

Address _____

Fax (____) _____ Phone (____) _____

Computer brand _____ Model _____ Processor _____

Operating system _____

Speed _____ MHz RAM _____ MB Display adapter _____

Mouse _____ yes _____ no Other adapters installed _____

Hard disk capacity _____ MB Brand _____

Instruments used _____

National Instruments hardware product model _____ Rev. _____

Configuration _____

National Instruments software product _____ Version _____

Configuration _____

The problem is _____

List any error messages _____

The following steps will reproduce the problem _____

AT-MXI Hardware and Software Configuration Form

Record the settings and revisions of your hardware and software on the line to the right of each item. Complete a new copy of this form each time you revise your software or hardware configuration, and use this form as a reference for your current configuration. Completing this form accurately before contacting National Instruments for technical support helps our applications engineers answer your questions more efficiently.

National Instruments Products

- AT-MXI Base I/O Address _____
- AT-MXI Master Window Base _____
- AT-MXI Address Space _____
- AT-MXI Master DMA Channel _____
- AT-MXI Board Interrupt Level _____
- AT-MXI Slave I/O Window Base _____
- AT-MXI Slave I/O Window Size _____
- AT-MXI Slave Memory Window Size _____
- AT-MXI Slave AT Memory Offset _____
- AT-MXI Slave DMA Channel _____
- AT-MXI is MXIbus System Controller? _____
- AT-MXI is Fair Requester? _____
- MXIbus Terminators Installed or Removed? _____
- MXIbus Interrupt Level _____
- AT-MXI Hardware Revision _____
- Application Programming Language
(QuickBASIC or C) _____
- Programming Language Interface Revision _____

Other Products

- Computer Make and Model _____
- Microprocessor _____
- Clock Frequency (Bus and Microprocessor) _____
- Total Memory in System _____
- Type of Video Board Installed _____
- Programming Language Version _____
- Other Boards in System _____
- Base I/O Address of Other Boards _____
- DMA Channels of Other Boards _____
- Interrupt Level of Other Boards _____
- Other Devices in System _____
- Static Logical Addresses of Other Devices _____

Documentation Comment Form

National Instruments encourages you to comment on the documentation supplied with our products. This information helps us provide quality products to meet your needs.

Title: **AT-MXI User Manual**

Edition Date: **February 1994**

Part Number: **320339-01**

Please comment on the completeness, clarity, and organization of the manual.

If you find errors in the manual, please record the page numbers and describe the errors.

Thank you for your help.

Name _____

Title _____

Company _____

Address _____

Phone (_____) _____

Mail to: Technical Publications
National Instruments Corporation
6504 Bridge Point Parkway, MS 53-02
Austin, TX 78730-5039

Fax to: Technical Publications
National Instruments Corporation
MS 53-02
(512) 794-5678

Glossary

Prefix	Meaning	Value
n-	nano-	10^{-9}
μ -	micro-	10^{-6}
m-	milli-	10^{-3}
k-	kilo-	10^3
M-	mega-	10^6

Numbers/Symbols

&	and (equation)
°	degrees
#	or (equation)
%	percent
+	plus
*	multiplied by

A

A	Ampere
A16 Space	One of the VXIbus address spaces. Sixteen address lines are required to specify a byte location.
A24 Space	One of the VXIbus address spaces. Twenty-four address lines are required to specify a byte location.
A32 Space	One of the VXIbus address spaces. Thirty-two address lines are required to specify a byte location.
Address	Character code that identifies a specific location (or series of locations) in memory.
Address Modifier	One of six signals in the VMEbus specification used by VMEbus masters to indicate the address space in which a data transfer is to take place.
Address Space	A set of 2^n memory locations differentiated from other such sets in VXI/VMEbus systems by six addressing lines known as address modifiers. n is the number of address lines required to uniquely specify a byte location in a given space. Valid numbers for n are 16, 24, and 32. In VME/VXI, because there are six address modifiers, there are 64 possible address spaces.

Address Window	A portion of address space that can be accessed from the application program.
Arbitration	A process in which a MXIbus master gains control over the MXIbus.
Asserted	A signal in its active true state.
Asynchronous	Not synchronized; not controlled by time signals.
B	
B	Bytes
Backplane	An assembly, typically a printed circuit board, with 96-pin connectors and signal paths that bus the connector pins. A C-size VXIbus system will have two sets of bused connectors called J1 and J2. A D-size VXIbus system will have three sets of bused connectors called J1, J2, and J3.
Base Address	A specified address that is combined with a <i>relative</i> address to determine the <i>absolute</i> address of a data location.
Bit	Binary digit. The smallest possible unit of data: a two-state, yes/no, 0/1 alternative. The building block of binary coding and numbering systems. Several bits make up a <i>byte</i> .
Block Data Rate	Transfer rate when using MXIbus block-mode transfers.
Block-mode Transfer	An uninterrupted transfer of data elements in which the master sources only the first address at the beginning of the cycle. The slave is then responsible for incrementing the address on subsequent transfers so that the next element is transferred to or from the proper storage location. In VME, the data transfer may have no more than 256 elements; MXI does not have this restriction.
BTO	Bus Timeout Unit; a functional module that times the duration of each data transfer and terminates the cycle if the duration is excessive. Without the termination capability of this module, a Bus Master attempt to access a nonexistent slave could result in an indefinitely long wait for a slave response.
Bus Master	A device that is capable of requesting the Data Transfer Bus (DTB) for the purpose of accessing a slave device.
Byte	A grouping of adjacent binary digits operated on by the computer as a single unit. Most commonly consists of 8 bits.

C

C	Celsius
Clearing	Replacing the information in a register, storage location, or storage unit with zeros or blanks.
CMOS	Complementary Metal Oxide Semiconductor; a process by which chips are made.
Commander	A Message-Based device which is also a bus master and can control one or more Servants.
Communications Registers	In Message-Based devices, a set of registers that are accessible to the device's Commander.
Configuration Registers	A set of registers through which the system can identify a module device type, model, manufacturer, address space, and memory requirements. In order to support automatic system and memory configuration, the VXIbus specification requires that all VXIbus devices have a set of such registers, all accessible from the P1 connector on the VMEbus.

D

Daisy-Chain	A method of propagating signals along a bus, in which the devices are prioritized on the basis of their position on the bus.
Data Transfer Bus	DTB; one of four buses on the VMEbus backplane. The DTB is used by a bus master to transfer binary data between itself and a slave device.
Deadlock	Unresolved situation in which two devices are vying for the use of a resource.
DMA	Direct Memory Access; a method by which data is transferred between devices and internal memory without intervention of the central processing unit.
DRAM	Dynamic RAM (Random Access Memory); storage that the computer must refresh at frequent intervals.
Dynamic Configuration	A method of automatically assigning logical addresses to VXIbus devices at system startup or other configuration times.
Dynamically Configured Device	A device that has its logical address assigned by the Resource Manager. A VME device initially responds at Logical Address 255 when its MODID line is asserted. A MXIbus device responds at Logical Address 255 when its Bus Grant In line is asserted. The Resource Manager subsequently assigns it a new logical address, which the device responds to until powered down.

E

Embedded Controller	An intelligent CPU (controller) interface plugged directly into the VXI backplane, giving it direct access to the VXIbus. It must have all of its required VXI interface capabilities built in.
EMI	Electromagnetic Interference
Extended Controller	A mainframe extender with additional VXIbus controller capabilities.
External Controller	In this configuration, a plug-in interface board in a computer is connected to the VXI mainframe via one or more VXIbus extended controllers. The computer then exerts overall control over VXIbus system operations.

F

F	Fahrenheit
Fair Requester	A MXIbus master that will not arbitrate for the MXIbus after releasing it until it detects the bus request signal inactive. This ensures that all requesting devices will be granted use of the bus.
FIFO	First In-First Out; a method of data storage in which the first element stored is the first one that can be retrieved.

G

GPIB	General Purpose Interface Bus; the industry standard IEEE 488 bus.
------	--

H

Hex	Hexadecimal; the numbering system with base 16, using the digits 0 to 9 and letters A to F.
Hz	Hertz; a measure of cycles per second.

I

I/O	Input/output; the techniques, media, and devices used to achieve communication between machines and users.
IC	Integrated Circuit
IEEE	Institute of Electrical and Electronics Engineers
in.	Inches
Interrupt	A means for a device to request service from another device.

K

KB 1,024; kilobytes of memory

L

Latch To sample a signal and remember its value.

Logical Address An 8-bit number that uniquely identifies each VXIbus device in a system. It defines the A16 register address of a device, and indicates Commander and Servant relationships.

LSB Least Significant Bit

M

MB 1,048,576; megabytes of memory

m Meters

Master A functional part of a MXI/VME/VXIbus device that initiates data transfers on the backplane. A transfer can be either a read or a write.

Mbytes/s One million bytes per second; a measure of data transfer rate.

Message-Based Device An intelligent device that implements the defined VXIbus registers and communication protocols.

MSB Most Significant Bit

MTBF Mean Time Between Failure

MXIbus Multisystem eXtension Interface Bus; a high-performance communication link that interconnects devices using round, flexible cables.

MXIbus System Controller A functional module that has arbiter, daisy-chain driver, and MXIbus cycle timeout responsibility. Always the first device in the MXIbus daisy-chain.

N

Nonprivileged Access One of the defined types of VMEbus data transfers; indicated by certain address modifier codes.

P

parity	Ensures that there is always either an even number or an odd number of bits in a byte, character, or word, according to the logic of the system. If a bit should be lost in data transmission, its loss can be detected by checking the parity.
PC AT	Personal Computer Advanced Technology
Privileged Access	See <i>Supervisory Access</i> .
Propagation	The transmission of signal through a computer system.

R

Register-Based Device	A Servant-only device that supports VXIbus configuration registers. Register-Based devices are typically controlled by Message-Based devices via device-dependent register reads and writes.
Resource Manager	A Message-Based Commander located at Logical Address 0, which provides configuration management services such as address map configuration, Commander and Servant mappings, and self-test and diagnostic management.
Response	A signal or interrupt generated by a device to notify another device of an asynchronous event. Responses contain the information in the Response register of a sender.
ROR	Release On Request

S

s	Seconds
Servant	A device controlled by a Commander; there are Message-Based and Register-Based Servants.
Setting	To place a binary cell into the 1 state (non-zero).
Shared Memory Protocol	A communication protocol that uses a block of memory that is accessible to both a client and a server. The memory block operates as a message buffer for communications.
Signal	Any communication between Message-Based devices consisting of a write to a Signal register. Sending a signal requires that the sending device have VMEbus master capability.
SIP	Single Inline Package

Slave	A functional part of a MXI/VME/VXIbus device that detects data transfer cycles initiated by a VMEbus master and responds to the transfers when the address specifies one of the device's registers.
Statically Configured Device	A device whose logical address cannot be set through software; that is, it is not dynamically configurable.
Supervisory Access	One of the defined types of VMEbus data transfers; indicated by certain address modifier codes.
Synchronous Communications	A communications system that follows the command/response cycle model. In this model, a device issues a command to another device; the second device executes the command and then returns a response. Synchronous commands are executed in the order they are received.
T	
Terminators	Devices located at the ends of a MXIbus daisy-chain that are used to minimize reflections and bias signals to their false states.
TERMPWR	Termination Power; 3.4 VDC for the MXIbus.
U	
Unasserted	A signal in its inactive false state.
V	
VDC	Volts Direct Current
VME	Versa Module Eurocard or IEEE 1014
VXIbus	VMEbus Extensions for Instrumentation
W	
Word Serial Protocol	The simplest required communication protocol supported by Message-Based devices in the VXIbus system. It utilizes the A16 communication registers to transfer data using a simple polling handshake method.
Word	A data quantity consisting of 16 bits.

Index

Numbers

110100 (counter mode) bit, 4-24

A

A16EN bit, 4-7
A16SIZ[2-0] bit, 4-7
A24EN bit, 4-7, 5-12
A24OFF[3-0] bits, 4-6
A24SIZ[2-0] bits, 4-7
access privileges, changing, 5-5
address broadcast, MXIbus, 6-7
address decoder
 master mode, 6-4
 slave mode, 6-4
address latch, master mode, 6-4
address latch/counter, slave-mode, 6-3
address mapping, slave-mode, 6-10
address selection, base I/O address, 3-3 to 3-6
address transceivers
 AT-MXI address/data transceiver, 6-3
 AT-MXI address modifier transceiver, 6-3
 PC AT address transceivers, 6-6
address window circuitry, 1-5
addressing support, AT-MXI board, 2-1
arbitration
 MXIbus, 6-6 to 6-7
 PC AT bus, 6-10 to 6-11
AT-MXI board. *See also* configuration;
 MXIbus; theory of operation.
block diagram, 6-2
definition, 2-1
illustration, 2-1
kit contents, 2-2
optional hardware, 2-3
optional software, 2-3 to 2-4
overview, 2-1 to 2-2

B

backplane bus on a cable, 1-5
base I/O address selection
 requirements, 3-3
 switch settings, 3-3 to 3-6

BDINT bit, 4-15
BDINTEN bit, 4-19, 5-15
BERR bit, 4-14
bit descriptions
 110100 (counter mode), 4-24
 A16EN, 4-7
 A16SIZ[2-0], 4-7
 A24EN, 4-7, 5-12
 A24OFF[3-0], 4-6
 A24SIZ[2-0], 4-7
 BDINT, 4-15
 BDINTEN, 4-19, 5-15
 BERR, 4-14
 BLOCK, 4-14
 CMDR*, 5-14
 CS[1-0], 4-24
 D[7-0 : 15-8], 4-12
 DL, 4-14, 5-7
 FAIRMB, 4-18
 FHS*, 5-14
 INDIVEN, 4-11, 5-8 to 5-11, 6-7
 INTERRUPTER, 5-14
 IOCHCKEN, 4-18, 5-15
 LBTO, 4-14, 5-8
 LOCKMB, 4-17, 5-11, 6-6
 MASTER*, 5-14
 MBINTEN, 4-19, 5-15
 MBIRQIE, 4-20
 MBREQ, 4-13
 MBSC, 4-17
 MDRQEN, 4-18
 MMA[23-16], 4-8
 MMA[31-24], 4-8
 MMAM[4-0], 4-9 to 4-10
 MMEN, 4-11, 5-4
 MMEXCIE, 4-20
 MMEXCINT, 4-15
 MMTD[7-0], 4-22
 MMWA[19-16], 4-11 to 4-12
mnemonics key, B-1 to B-4
OWNMB, 4-14
OWNMBIE, 4-20
OWNMBINT, 4-16
PCREQ, 4-13
PCREQIE, 4-19
PCREQINT, 4-15
PERR, 4-14
RMBIRQ, 4-15

SCTD[7-0], 4-23
 SDRQEN, 4-19
 SHARED MEMORY*, 5-14
 SIGNAL REGISTER*, 5-14
 SIGRDY, 4-16
 SIGRDYIE, 4-20
 SMA[15-9], 4-5
 SMA[23-17], 4-4
 SMEM*, 4-18
 SMTD[7-0], 4-21
 SWAPMB, 4-18
 TCENDEN, 4-10, 5-10
 TCIE, 4-20, 5-10
 TCINT, 4-16
 BLOCK bit, 4-14
 Block Data Rate, 1-8
 block-mode transfers. *See* data transfer.
 Board Control Register
 block-mode transfers, 5-8, 5-9 to 5-10
 description of, 4-17 to 4-20
 register map, 4-2
 board interrupt, 5-15
 Board Register Group, 4-2
 Board Status Register
 block-mode transfers, 5-10
 description of, 4-13 to 4-16
 register map, 4-2
 broadcasting of MXIbus address and address
 modifier, 6-7
 byte-swapping circuitry, 6-5, 6-8

C

cables
 MXIbus, 1-5 to 1-6
 oversized connector hoods, 3-12
 channel I/O transfers, 5-10
 CMDR* bit, 5-14
 communication registers
 PROTOCOL register, 5-13 to 5-14
 SIGNAL register, 5-13, 5-14
 theory of operation, 6-5
 configuration. *See also* installation.
 base I/O address selection, 3-3 to 3-6
 DMA channel selection, 3-8 to 3-10
 master mode versus slave mode, 3-8 to
 3-10
 factory settings for jumpers and switches,
 3-3
 interrupt level selection, 3-6 to 3-7
 MXIbus termination option, 3-10 to 3-11
 parts locator diagram, 3-2

 recording configuration information, 3-12
 connecting AT-MXI board to MXIbus, 3-13
 control signals, MXIbus and PC AT, 6-7
 control transceivers
 AT PC control transceiver, 6-5
 MXIbus control transceiver, 6-3
 counter mode (110100) bit, 4-24
 CS[1-0] bit, 4-24
 customer communication, *xii*, D-1
 cycle termination
 master-mode, 6-9
 slave-mode, 6-12 to 6-13

D

D[7-0 : 15-8] bits, 4-12
 data latch/byte swapper, 6-5
 data transceivers
 AT-MXI address/data transceiver, 6-3
 AT PC data transceiver, 6-5
 data transfer
 Block Data Rate, 1-8
 block-mode transfers, 5-8 to 5-10
 AT-MXI board support, 2-1, 2-2
 programming, 5-8 to 5-10
 slave mode, 6-11 to 6-12
 using DMA controller, 5-9 to 5-10
 using PC AT processor, 5-9
 byte-swapping circuitry, 6-5, 6-8
 comparison of data transfer rates, 1-2
 indivisible transfers, 5-10 to 5-11
 channel I/O transfers, 5-10
 read-modify-write cycles, 5-11
 master mode, 6-8
 MXIbus address broadcast, 6-7
 MXIbus data rates, 1-8 to 1-9
 slave mode, 6-11 to 6-12
 specifications, A-1, A-3
 deadlocks, 5-7, 6-6
 DL bit, 4-14, 5-7
 DMA channel
 cascade-mode operation, 5-3 to 5-4
 configuration, 3-8 to 3-10
 initializing AT-MXI for slave-mode
 operation, 5-3 to 5-4
 master mode versus slave mode, 3-8 to 3-10
 DMA controller (PC AT System), using for
 block-mode transfers, 5-9 to 5-10
 documentation
 organization, *xi*
 related documentation, *xii*

E

electrical specifications, A-2
 environmental specifications, A-2

F

FAIRMB bit, 4-18
 FHS* bit, 5-14
 functional description. *See* theory of operation.

G

GPIB-VXI interface, 1-2

H

hardware, optional, 2-3

I

INDIVEN bit, 4-11, 5-8 to 5-11, 6-7
 indivisible transfers, 5-10 to 5-11
 channel I/O transfers, 5-10
 read-modify-write cycles, 5-11
 initialization, 5-1 to 5-4
 master-mode window, 5-4
 programming the AT-MXI
 as MXIbus System Controller, 5-3
 for slave-mode operation, 5-3 to 5-4
 timers, 5-1 to 5-3
 AT-MXI timers, 5-2
 sample code, 5-2 to 5-3
 type of delays, 5-1
 installation. *See also* configuration.
 connecting AT-MXI board to MXIbus, 3-13
 oversized cable connector hoods, 3-12
 procedure for, 3-12 to 3-13
 repositioning of boards, 3-12
 unpacking the AT-MXI, 3-1
 INTERRUPTER bit, 5-14
 interrupts
 board interrupt, 5-15
 configuration, 3-6 to 3-7
 configuring for AT-MXI before PC AT motherboard, 5-15
 interrupt circuitry, 6-5

 programming, 5-15
 setting for timeout conditions, 5-8
 IOCHCKEN bit, 4-18, 5-15

J

jumpers and switches
 base I/O address switch settings, 3-3 to 3-6
 DMA channel settings, 3-10
 factory settings, 3-3
 interrupt level selection, 3-6 to 3-7

L

LabVIEW software, 2-4
 LabWindows software, 2-3 to 2-4
 latch, master mode address, 6-4
 latch/counter, slave-mode address, 6-3
 LBTO bit, 4-14, 5-8
 locking
 MXIbus, 5-11
 PC AT bus, 5-12
 LOCKMB bit, 4-17, 5-11, 6-6

M

MASTER* bit, 5-14
 master-mode address decoder, 6-4
 Master Mode Address Modifier and Enable Register
 block-mode transfers, 5-8
 description of, 4-8 to 4-11
 initializing the master-mode window, 5-4
 register map, 4-2
 theory of operation, 6-3
 Master Mode Address Page Register
 description of, 4-8
 register map, 4-2
 theory of operation, 6-5
 Master Mode Configuration Register Group, 4-2
 master-mode operation, 5-5 to 5-11, 6-6 to 6-9. *See also* MXIbus master.
 block-mode transfers, 5-8 to 5-10
 using DMA controller, 5-9 to 5-10
 using PC AT processor, 5-9
 cycle termination, 6-9
 data transfer, 6-8
 deadlocks, 5-7
 indivisible transfers, 5-10 to 5-11

- channel I/O transfers, 5-10
 - read-modify-write cycles, 5-11
 - locking the MXIbus, 5-11
 - MXIbus address broadcast, 6-7
 - MXIbus arbitration, 6-6 to 6-7
 - paging, 5-6
 - theory of operation, 6-6 to 6-9
 - timing incompatibilities, 5-8
 - timing specifications, A-3
 - master-mode state machine, 6-5
 - Master Mode Timer Register
 - description of, 4-22
 - programming, 5-2
 - register map, 4-2
 - master-mode window, initializing, 5-4
 - MBINTEN bit, 4-19, 5-15
 - MBIRQIE bit, 4-20
 - MBREQ bit, 4-13
 - MBSC bit, 4-17
 - MDRQEN bit, 4-18
 - memory
 - master-mode operation, 5-5
 - paging, 5-6, 6-7
 - selecting address space for master mode window, 5-4
 - slave-mode address mapping, 6-10
 - MMA[23-16] bits, 4-8
 - MMA[31-24] bits, 4-8
 - MMAM[4-0] bits, 4-9 to 4-10
 - MMEN bit, 4-11, 5-4
 - MMEXCIE bit, 4-20
 - MMEXCINT bit, 4-15
 - MMTD[7-0] bit, 4-22
 - MMWA[19-16] bits, 4-11 to 4-12
 - mnemonics key, B-1 to B-4
 - move string instruction, 5-9
 - MXIbus
 - address window circuitry, 1-5
 - applications, 1-3 to 1-4
 - examples, 1-3 to 1-4
 - backplane bus on a cable, 1-5
 - cables, 1-5 to 1-6
 - capability codes, A-1
 - compared with embedded computer, 1-7
 - connector description, C-1
 - control transceivers, 6-3
 - data transfer
 - Block Data Rate, 1-8
 - block-mode transfers, 5-8 to 5-10
 - AT-MXI board support, 2-1, 2-2
 - programming, 5-8 to 5-10
 - using DMA controller, 5-9 to 5-10
 - using PC AT processor, 5-9
 - comparison of data transfer rates, 1-2
 - indivisible transfers, 5-10 to 5-11
 - channel I/O transfers, 5-10
 - read-modify-write cycles, 5-11
 - master mode, 6-8
 - MXIbus address broadcast, 6-7
 - MXIbus data rates, 1-8 to 1-9
 - slave mode, 6-11 to 6-12
 - specifications, A-1, A-3
 - development of, 1-1
 - I/O capabilities, 1-1
 - local performance, 1-9
 - open standard, 1-5
 - operation, 1-5
 - performance, 1-7
 - purpose and use, 1-1
 - signal assignments, C-2
 - signal groupings, C-2
 - signals, 1-5
 - slave-mode transfer types and control signals, 6-11
 - terminating resistor networks, 3-10 to 3-11
 - termination of daisy-chain, 1-7
 - terminator circuitry, 6-3
 - MXIbus master. *See also* master-mode operation; specific master-mode registers.
 - AT-MXI board as, 2-1
 - DMA channel selection, 3-8 to 3-9
 - MXIbus slave. *See also* slave-mode operation; specific slave-mode registers.
 - AT-MXI board as, 2-1
 - DMA channel selection, 3-8 to 3-9
 - initializing AT-MXI for slave-mode operation, 5-3 to 5-4
 - MXIbus System Controller. *See also* System Controller Timer Register.
 - AT-MXI board as, 2-2
 - first device in daisy-chain, 1-5, 3-12, 5-3
 - logic circuitry, 6-3
 - programming the AT-MXI as, 5-3
 - timeout period, programming, 5-2
- N**
- NI-VXI bus interface software, 2-3 to 2-4
- O**
- operation, theory of. *See* theory of operation.
 - OWNMB bit, 4-14
 - OWNMBIE bit, 4-20

OWNMBINT bit, 4-16

P

paging, 5-6, 6-7

parity generator/checker, 6-5

PC AT

address, data, and control transceivers, 6-6

bus arbitration, 6-10 to 6-11

capability codes, A-1

locking the bus, 5-12

slave-mode transfer types and control signals, 6-11

using processor for block-mode transfers, 5-9

PC LOCK register, 5-13

PCREQ bit, 4-13

PCREQIE bit, 4-19

PCREQINT bit, 4-15

performance of MXIbus, 1-7, 1-9. *See also* data transfer.

PERR bit, 4-14

physical specifications, A-2

programming. *See also* registers.

communication registers, 5-13 to 5-14

initialization, 5-1 to 5-4

master-mode window, 5-4

MXIbus System Controller, 5-3

slave-mode operation, 5-3 to 5-4

timers, 5-1 to 5-3

interrupts, 5-15

master-mode operation, 5-5 to 5-11

block-mode transfers, 5-8 to 5-10

using DMA controller, 5-9 to 5-10

using PC AT processor, 5-9

deadlocks, 5-7

indivisible transfers, 5-10 to 5-11

channel I/O transfers, 5-10

read-modify-write cycles, 5-11

locking the MXIbus, 5-11

paging, 5-6

timing incompatibilities, 5-8

slave-mode operation, 5-12

locking PC AT bus, 5-12

PROTOCOL register, 5-13 to 5-14

R

read-modify-write cycles, 5-11

ready timeout, 5-8

register bits. *See* bit descriptions.

registers. *See also* programming.

AT-MXI communication registers, 5-13 to 5-14

Board Control Register, 4-2, 4-17 to 4-20, 5-8, 5-9 to 5-10

Board Status Register, 4-2, 4-13 to 4-16, 5-10

communication registers, 5-13 to 5-14, 6-5

description format, 4-3

Master Mode Address Modifier and Enable Register, 4-2, 4-8 to 4-11, 5-4, 5-8, 6-3

Master Mode Address Page Register, 4-2, 4-8, 6-5

Master Mode Timer Register, 4-2, 4-22, 5-2

mnemonics key, B-1 to B-4

PC LOCK register, 5-13

PROTOCOL register, 5-13 to 5-14

register map, 4-1 to 4-2

SIGNAL register, 5-13, 5-14

Signal Register, 4-2, 4-12

Slave Mode Address Mapping Register, 4-2, 4-6 to 4-7, 5-3 to 5-4

Slave Mode Address Register, 4-2, 4-4 to 4-5, 5-3 to 5-4, 6-10

Slave Mode Offset Register, 6-4

Slave Mode Timer Register, 4-2, 4-21, 5-2, 5-3

System Controller Timer Register, 4-2, 4-23, 5-2

Timer Control Register, 4-2, 4-24

Release-On-Request (ROR) arbitration, 6-6

reliability specifications, A-2

RMBIRQ bit, 4-15

S

SCTD[7-0] bit, 4-23

SDRQEN bit, 4-19

SHARED MEMORY* bit, 5-14

SIGNAL register, 5-13, 5-14

Signal Register

description of, 4-12

register map, 4-2

SIGNAL REGISTER* bit, 5-14

signals

master-mode cycle termination, 6-9

master-mode data transfer, 6-8

mnemonics key, B-1 to B-4

MXIbus

address broadcast, 6-7

arbitration, 6-6 to 6-7

MXIbus and PC AT control signals, 6-7

- MXIbus connector, C-1 to C-2
 - signal assignments, C-1
 - signal groupings, C-1
 - overview, 1-5
 - PC AT bus arbitration, 6-11
 - slave-mode
 - address mapping, 6-10
 - cycle termination, 6-12 to 6-13
 - data transfer, 6-11 to 6-12
 - SIGRDY bit, 4-16
 - SIGRDYIE bit, 4-20
 - slave-mode address decoder, 6-4
 - slave-mode address latch/counter, 6-3
 - Slave Mode Address Mapping Register
 - description of, 4-6 to 4-7
 - initializing AT-MXI for slave mode operation, 5-3 to 5-4
 - register map, 4-2
 - Slave Mode Address Register
 - address mapping, 6-10
 - description of, 4-4 to 4-5
 - initializing AT-MXI for slave mode operation, 5-3 to 5-4
 - register map, 4-2
 - Slave Mode Configuration Register Group, 4-2
 - Slave-Mode Offset Register, 6-4
 - slave-mode operation, 5-12, 6-10 to 6-13. *See also* MXIbus slave.
 - address mapping, 6-10
 - block transfers, 6-12
 - caution against disabling or reprogramming, 5-12
 - cycle termination, 6-12 to 6-13
 - data transfer, 6-11 to 6-12
 - locking PC AT bus, 5-12
 - PC AT bus arbitration, 6-10 to 6-11
 - timing incompatibilities, 5-8
 - timing specifications, A-3
 - slave-mode state machine, 6-4
 - Slave Mode Timer Register
 - description of, 4-21
 - programming, 5-2, 5-3
 - register map, 4-2
 - SMA[15-9] bits, 4-5
 - SMA[23-17] bits, 4-4
 - SMEM* bit, 4-18
 - SMTD[7-0] bit, 4-21
 - software, optional, 2-3 to 2-4
 - specifications
 - capability codes
 - AT bus, A-1
 - MXIbus, A-1
 - electrical, A-2
 - environmental, A-2
 - physical, A-2
 - reliability, A-2
 - requirements, A-2
 - timing
 - master mode, A-3
 - other, A-3
 - slave mode, A-3
 - state machines
 - master mode, 6-5
 - slave mode, 6-4
 - SWAPMB bit, 4-18, 6-8
 - switches. *See* jumpers and switches.
 - System Controller. *See* MXIbus System Controller.
 - System Controller Timer Register
 - description of, 4-23
 - programming, 5-2
 - register map, 4-2
- ## T
- TCENDEN bit, 4-10, 5-10
 - TCIE bit, 4-20, 5-10
 - TCINT bit, 4-16
 - technical support, D-1
 - terminating resistor networks, 3-10 to 3-11
 - termination
 - master-mode cycle, 6-9
 - MXIbus daisy-chain, 1-7, 3-10 to 3-11
 - slave-mode cycle, 6-12 to 6-13
 - terminator circuitry, MXIbus, 6-3
 - TERMPWR, on MXIbus connector, 6-3
 - theory of operation
 - address decoders
 - master-mode address decoder, 6-4
 - slave-mode address decoder, 6-4
 - address latches
 - master-mode address latch, 6-4
 - slave-mode address latch/counter, 6-3 to 6-4
 - AT-MXI block diagram, 6-2
 - data latch/byte swapper, 6-5
 - functional description, 6-1 to 6-6
 - interrupt circuitry, 6-5
 - master-mode operation, 6-6 to 6-9
 - cycle termination, 6-9
 - data transfer, 6-8
 - MXIbus address broadcast, 6-7
 - MXIbus arbitration, 6-6 to 6-7
 - MXIbus terminators, 6-3
 - parity generator/checker, 6-5

- registers
 - communication registers, 6-5
 - Master-Mode Address Modifier Register, 6-3
 - Master-Mode Address Page Register, 6-5
 - Slave-Mode Offset Register, 6-4
- slave-mode operation, 6-10 to 6-13
 - address mapping, 6-10
 - block transfers, 6-12
 - cycle termination, 6-12 to 6-13
 - data transfer, 6-11 to 6-12
 - PC AT bus arbitration, 6-10 to 6-11
- state machines
 - master-mode state machine, 6-5
 - slave-mode state machine, 6-4
- System Controller logic, 6-3
- transceivers
 - address/data transceivers, 6-3
 - address modifier transceivers, 6-3
 - MXIbus control transceivers, 6-3
 - PC AT address, data and control transceivers, 6-6
- timeout conditions, 5-8
- Timer Control Register
 - description of, 4-24
 - register map, 4-2
- timer initialization, 5-1 to 5-3
 - AT-MXI timers, 5-2
 - sample code, 5-2 to 5-3
 - type of delays, 5-1
- Timer Register Group, 4-2
- timing incompatibilities, 5-8
- timing specifications
 - master mode, A-3
 - other, A-3
 - slave mode, A-3
- transceivers
 - address/data transceiver, 6-3
 - address modifier transceiver, 6-3
 - MXIbus control transceivers, 6-3
 - PC AT address, data, and control transceivers, 6-6

U

- unpacking the AT-MXI, 3-1

V

- VME interface kits, 1-3
- VXI
 - embedded computer, 1-2
 - GPIB-VXI interface, 1-2
 - MXI applications, 1-3
 - using with general-purpose computers, 1-2
- VXIbus, AT-MXI board as, 2-2