

## COMPREHENSIVE SERVICES

We offer competitive repair and calibration services, as well as easily accessible documentation and free downloadable resources.

## SELL YOUR SURPLUS

We buy new, used, decommissioned, and surplus parts from every NI series. We work out the best solution to suit your individual needs.

 Sell For Cash    Get Credit    Receive a Trade-In Deal

## OBSOLETE NI HARDWARE IN STOCK & READY TO SHIP

We stock **New**, **New Surplus**, **Refurbished**, and **Reconditioned** NI Hardware.



*Bridging the gap between the manufacturer and your legacy test system.*

 1-800-915-6216

 [www.apexwaves.com](http://www.apexwaves.com)

 [sales@apexwaves.com](mailto:sales@apexwaves.com)

*All trademarks, brands, and brand names are the property of their respective owners.*

**Request a Quote**

 **CLICK HERE**

**VXI-SC-1102**

**DAQ**

# **VXI-SC-1102/B/C User Manual**

*32-Channel Multiplexer Amplifier Submodules*

August 1997 Edition  
Part Number 321385B-01



### **Internet Support**

support@natinst.com

E-mail: info@natinst.com

FTP Site: ftp.natinst.com

Web Address: <http://www.natinst.com>



### **Bulletin Board Support**

BBS United States: (512) 794-5422

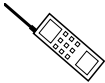
BBS United Kingdom: 01635 551422

BBS France: 01 48 65 15 59



### **Fax-on-Demand Support**

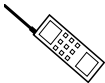
(512) 418-1111



### **Telephone Support (U.S.)**

Tel: (512) 795-8248

Fax: (512) 794-5678



### **International Offices**

Australia 03 9879 5166, Austria 0662 45 79 90 0, Belgium 02 757 00 20,  
Canada (Ontario) 905 785 0085, Canada (Québec) 514 694 8521, Denmark 45 76 26 00,  
Finland 09 725 725 11, France 01 48 14 24 24, Germany 089 741 31 30,  
Hong Kong 2645 3186, Israel 03 5734815, Italy 02 413091, Japan 03 5472 2970,  
Korea 02 596 7456, Mexico 5 520 2635, Netherlands 0348 433466, Norway 32 84 84 00,  
Singapore 2265886, Spain 91 640 0085, Sweden 08 730 49 70, Switzerland 056 200 51 51,  
Taiwan 02 377 1200, United Kingdom 01635 523545

### **National Instruments Corporate Headquarters**

6504 Bridge Point Parkway Austin, TX 78730-5039 Tel: (512) 794-0100

# Important Information

---

## Warranty

The VXI-SC-1102, VXI-SC-1102B, and VXI-SC-1102C submodules are warranted against defects in materials and workmanship for a period of one year from the date of shipment, as evidenced by receipts or other documentation. National Instruments will, at its option, repair or replace equipment that proves to be defective during the warranty period. This warranty includes parts and labor.

The media on which you receive National Instruments software are warranted not to fail to execute programming instructions, due to defects in materials and workmanship, for a period of 90 days from date of shipment, as evidenced by receipts or other documentation. National Instruments will, at its option, repair or replace software media that do not execute programming instructions if National Instruments receives notice of such defects during the warranty period. National Instruments does not warrant that the operation of the software shall be uninterrupted or error free.

A Return Material Authorization (RMA) number must be obtained from the factory and clearly marked on the outside of the package before any equipment will be accepted for warranty work. National Instruments will pay the shipping costs of returning to the owner parts which are covered by warranty.

National Instruments believes that the information in this manual is accurate. The document has been carefully reviewed for technical accuracy. In the event that technical or typographical errors exist, National Instruments reserves the right to make changes to subsequent editions of this document without prior notice to holders of this edition. The reader should consult National Instruments if errors are suspected. In no event shall National Instruments be liable for any damages arising out of or related to this document or the information contained in it.

EXCEPT AS SPECIFIED HEREIN, NATIONAL INSTRUMENTS MAKES NO WARRANTIES, EXPRESS OR IMPLIED, AND SPECIFICALLY DISCLAIMS ANY WARRANTY OF MERCHANTABILITY OR FITNESS FOR A PARTICULAR PURPOSE. CUSTOMER'S RIGHT TO RECOVER DAMAGES CAUSED BY FAULT OR NEGLIGENCE ON THE PART OF NATIONAL INSTRUMENTS SHALL BE LIMITED TO THE AMOUNT THEREFORE PAID BY THE CUSTOMER. NATIONAL INSTRUMENTS WILL NOT BE LIABLE FOR DAMAGES RESULTING FROM LOSS OF DATA, PROFITS, USE OF PRODUCTS, OR INCIDENTAL OR CONSEQUENTIAL DAMAGES, EVEN IF ADVISED OF THE POSSIBILITY THEREOF. This limitation of the liability of National Instruments will apply regardless of the form of action, whether in contract or tort, including negligence. Any action against National Instruments must be brought within one year after the cause of action accrues. National Instruments shall not be liable for any delay in performance due to causes beyond its reasonable control. The warranty provided herein does not cover damages, defects, malfunctions, or service failures caused by owner's failure to follow the National Instruments installation, operation, or maintenance instructions; owner's modification of the product; owner's abuse, misuse, or negligent acts; and power failure or surges, fire, flood, accident, actions of third parties, or other events outside reasonable control.

## Copyright

Under the copyright laws, this publication may not be reproduced or transmitted in any form, electronic or mechanical, including photocopying, recording, storing in an information retrieval system, or translating, in whole or in part, without the prior written consent of National Instruments Corporation.

## Trademarks

LabVIEW®, NI-DAQ®, RTSI®, ComponentWorks™, CVI™, Measure™, SCXI™, and VirtualBench™ are trademarks of National Instruments Corporation.

Product and company names listed are trademarks or trade names of their respective companies.

## WARNING REGARDING MEDICAL AND CLINICAL USE OF NATIONAL INSTRUMENTS PRODUCTS

National Instruments products are not designed with components and testing intended to ensure a level of reliability suitable for use in treatment and diagnosis of humans. Applications of National Instruments products involving medical or clinical treatment can create a potential for accidental injury caused by product failure, or by errors on the part of the user or application designer. Any use or application of National Instruments products for or involving medical or clinical treatment must be performed by properly trained and qualified medical personnel, and all traditional medical safeguards, equipment, and procedures that are appropriate in the particular situation to prevent serious injury or death should always continue to be used when National Instruments products are being used. National Instruments products are NOT intended to be a substitute for any form of established process, procedure, or equipment used to monitor or safeguard human health and safety in medical or clinical treatment.



*Table  
of  
Contents*

---

## About This Manual

Organization of This Manual .....	ix
Conventions Used in This Manual.....	x
National Instruments Documentation .....	xi
Related Documentation.....	xii
Customer Communication .....	xii

## Chapter 1

### Introduction

About the VXI-SC-1102/B/C .....	1-2
What You Need to Get Started .....	1-3
Software Programming Choices .....	1-4
National Instruments Application Software .....	1-4
NI-DAQ Driver Software .....	1-5
VXI <i>plug&amp;play</i> Instrument Driver .....	1-6
Optional Equipment.....	1-6
Unpacking .....	1-7

## Chapter 2

### Installation

Current-Loop Receivers.....	2-3
Installing Your Hardware .....	2-4

## Chapter 3

### Signal Connections

Front Connector .....	3-1
Signal Descriptions.....	3-3
Channel Input Signal Connections .....	3-3
Ground-Referencing Your Signals.....	3-4
Cold-Junction Sensor Connection .....	3-6

## Chapter 4

### Theory of Operation

Functional Overview .....	4-1
VXIbus Interface .....	4-2
Digital Control Circuitry .....	4-2
Analog Circuitry .....	4-3
Analog Input Channels.....	4-3
Analog Output.....	4-4

## Chapter 5

### Calibration

Calibration Equipment Requirements .....	5-1
Gain and Offset Calibration.....	5-2

## Appendix A

### Specifications

## Appendix B

### Calibration Sample Program

Sample Program for Calibration.....	B-1
-------------------------------------	-----

## Appendix C

### Customer Communication

## Glossary

## Index

## Figures

Figure 1-1. VXI Signal Conditioning System.....	1-1
Figure 1-2. The Relationship between the Programming Environment, Your Instrument Driver, and Your VXI-DAQ Hardware .....	1-6
Figure 2-1. VXI-SC-1102/B/C Parts Locator Diagram .....	2-2
Figure 2-2. Bent and Trimmed Resistor.....	2-3

Figure 3-1. VXI-SC-1102/B/C Front Connector Pin Assignments ..... 3-2  
Figure 3-2. Ground-Referenced Signal Connection ..... 3-5  
Figure 3-3. Floating Signal Connection Referenced to Chassis Ground..... 3-6  
  
Figure 4-1. VXI-SC-1102/B/C Block Diagram..... 4-1  
  
Figure 5-1. Analog Bus Receptacle Pin Assignment ..... 5-2

## Tables

Table 3-1. Front Connector Signal Descriptions..... 3-3

---

This manual describes the electrical and mechanical aspects of the VXI-SC-1102 family and contains information concerning their installation and operation. The VXI-SC-1102 family is a group of signal conditioning submodules in the VXI-data acquisition (VXI-DAQ) line of National Instruments products.

The VXI-SC-1102 family consists of the following submodules:

- VXI-SC-1102
- VXI-SC-1102B
- VXI-SC-1102C

Unless otherwise noted, *VXI-SC-1102/B/C* will hereafter refer to all three submodules in the VXI-SC-1102 family.

The VXI-SC-1102/B/C submodules are designed for signal conditioning of thermocouples, volt and millivolt sources, and 4–20 mA sources or 0–20 mA process-current sources. The VXI-SC-1102/B/C submodules have 32 differential analog input channels and one cold-junction sensor channel.

## Organization of This Manual

---

The *VXI-SC-1102/B/C User Manual* is organized as follows:

- Chapter 1, *Introduction*, describes the VXI-SC-1102 family of submodules, lists what you need to get started, optional software and optional equipment, and explains how to unpack your VXI-SC-1102/B/C submodule.
- Chapter 2, *Installation*, describes how to install current-loop receivers on your VXI-SC-1102/B/C and gives information about installing your VXI-SC-1102/B/C into the VXI-SC-1000 carrier module.
- Chapter 3, *Signal Connections*, describes the analog input signal connections to the VXI-SC-1102/B/C submodule via the front connector.



- Chapter 4, *Theory of Operation*, contains a functional overview of the VXI-SC-1102/B/C submodules and explains the operation of each functional unit.
- Chapter 5, *Calibration*, discusses the calibration procedures for the VXI-SC-1102/B/C submodules.
- Appendix A, *Specifications*, lists the specifications for the VXI-SC-1102/B/C submodules.
- Appendix B, *Calibration Sample Program*, contains a sample program to help you calibrate your submodule.
- Appendix C, *Customer Communication*, contains forms you can use to request help from National Instruments or to comment on our products.
- The *Glossary* contains an alphabetical list and description of terms used in this manual, including abbreviations, acronyms, metric prefixes, mnemonics, symbols, and general data acquisition terms.
- The *Index* contains an alphabetical list of key terms and topics in this manual, including the page where you can find each one.

## Conventions Used in This Manual

---

The following conventions are used in this manual.

< >

Angle brackets containing numbers separated by an ellipsis represent a range of values associated with a port, bit, or signal name (for example, ACH<0..7> stands for the signals ACH0 through ACH7).

◆

The ◆ symbol indicates that the text following it applies only to specific VXI-SC-1102 modules.



This icon to the left of bold italicized text denotes a note, which alerts you to important information.



This icon to the left of bold italicized text denotes a caution, which advises you of precautions to take to avoid injury, data loss, or a system crash.



This icon to the left of bold italicized text denotes a warning, which advises you of precautions to take to avoid being electrically shocked.

***bold italic***

Bold italic text denotes a note, caution, or warning.

*italic*

Italic text denotes emphasis, a cross reference, or an introduction to a key concept.

monospace

Denotes text or characters that are to be literally input from the keyboard, sections of code, programming examples, and syntax

carrier module	Refers to the VXI-SC-1000, which plugs directly into a VXI slot and on which VXI-SC submodules are installed.
PC	Refers to the IBM PC/XT, the IBM PC AT, and compatible computers.
SCMP	Refers to the signal conditioning minipods in the VXI signal conditioning system.
VXI-MIO module	Refers to any of the National Instruments VXI-MIO series of plug-in data acquisition devices.
VXI-SC submodule	Refers to VXI signal conditioning hardware that installs onto the carrier module.
VXI-SC-1102/B/C submodules	Refers to all submodules in the VXI-SC-1102 family, unless otherwise noted.

The *Glossary* lists abbreviations, acronyms, metric prefixes, mnemonics, symbols, and terms.

## National Instruments Documentation

---

The *VXI-SC-1102/B/C User Manual* is one piece of the documentation set for your VXI-DAQ system. You could have any of several types of documents, depending on the hardware and software in your system. Use the different types of documents you have as follows:

- Your VXI-DAQ hardware documentation—These documents have detailed information about the VXI-DAQ hardware that plugs into or is connected to your VXIbus chassis. Use these documents for hardware installation and configuration instructions, specification information about your VXI-DAQ hardware, and application hints.
- Software documentation—You may have both application software and driver software documentation. National Instruments application software includes ComponentWorks, LabVIEW, LabWindows®/CVI, Measure, and VirtualBench. National Instruments driver software includes NI-DAQ and VXI*plug&play* instrument drivers. After you set up your hardware system, use either your application or driver software documentation to help you write your application. If you have a large, complicated system, it is worthwhile to look through the software documentation before you configure your hardware.

- Accessory installation guides or manuals—If you are using accessory products, read the terminal block and cable assembly installation guides or accessory device user manuals. They explain how to physically connect the relevant pieces of the system. Consult these guides when you are making your connections.

## Related Documentation

---

The following document contains information you may find helpful:

- *VXI-SC-1000 Carrier Module Installation Guide*

## Customer Communication

---

National Instruments wants to receive your comments on our products and manuals. We are interested in the applications you develop with our products, and we want to help if you have problems with them. To make it easy for you to contact us, this manual contains comment and configuration forms for you to complete. These forms are in Appendix C, *Customer Communication*, at the end of this manual.

# Introduction

Chapter

1

This chapter describes the VXI-SC-1102 family of submodules; lists what you need to get started, optional software, and optional equipment; and explains how to unpack your VXI-SC-1102/B/C submodule.

The VXI-SC-1102 family is part of the VXI signal conditioning system, which consists of a carrier module and one or more VXI signal conditioning submodules or filler panels as shown in Figure 1-1.

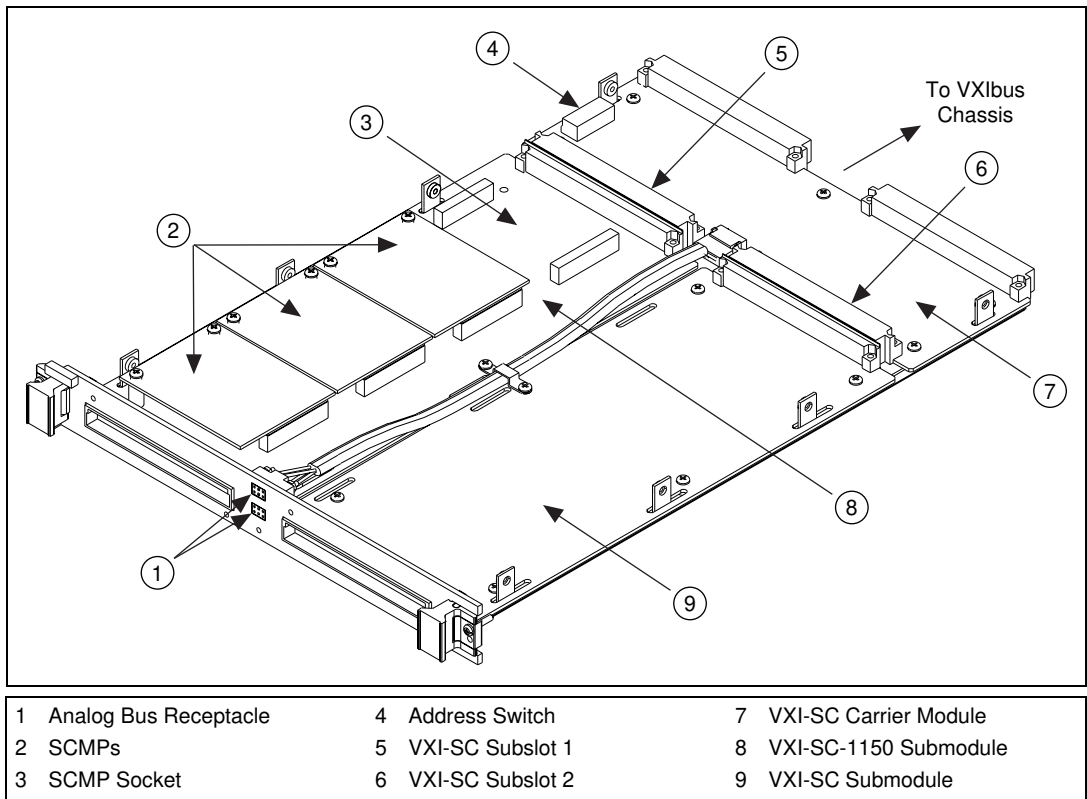


Figure 1-1. VXI Signal Conditioning System

The VXI-SC-1000 is a carrier module that installs into a slot in a VXIbus chassis and is populated with one or two submodules. The VXI-SC-1102/B/C is a submodule that installs into VXI-SC subslots on a VXI-SC-1000 carrier module.

Your VXI-SC-1000 carrier module is shipped with a filler panel installed in one of the submodule sites. This filler panel is necessary for the attachment of the front panel, so you should leave it in place until you are ready to install a VXI-SC submodule.

## About the VXI-SC-1102/B/C

---

- ◆ The VXI-SC-1102 is a submodule for the signal conditioning of thermocouples, low-bandwidth volt and millivolt sources, 4-20 mA current sources, and 0-20 mA process-current sources. The VXI-SC-1102 has 32 differential analog input channels and one cold-junction sensor channel. On each channel, the VXI-SC-1102 has a three-pole lowpass filter with a 2 Hz cutoff frequency to reject 60 Hz noise. Each channel also has an amplifier with a selectable gain of 1 or 100. You can multiplex the VXI-SC-1102 inputs to a single output, which drives a single VXI-MIO module channel.
- ◆ The VXI-SC-1102B is a submodule for the signal conditioning of thermocouples, medium-bandwidth volt and millivolt sources, 4-20 mA current sources, and 0-20 mA process-current sources. The VXI-SC-1102B has 32 differential analog input channels and one cold-junction sensor channel. On each channel, the VXI-SC-1102B has a three-pole lowpass filter with a 200 Hz cutoff frequency. Each channel also has an amplifier with a selectable gain of 1 or 100. You can multiplex the VXI-SC-1102B inputs to a single output, which drives a single VXI-MIO module channel.
- ◆ The VXI-SC-1102C is a submodule for the signal conditioning of thermocouples, high-bandwidth volt and millivolt sources, 4-20 mA current sources, and 0-20 mA process-current sources. The VXI-SC-1102C has 32 differential analog input channels and one cold-junction sensor channel. On each channel, the VXI-SC-1102C has a three-pole lowpass filter with a 10 kHz cutoff frequency. Each channel also has an amplifier with a selectable gain of 1 or 100. You can multiplex the VXI-SC-1102C inputs to a single output, which drives a single VXI-MIO module channel.

The VXI-SC-1102/B/C submodules operate with full functionality with National Instruments VXI-MIO modules. You can multiplex several VXI-SC-1102/B/C submodules and other VXI signal conditioning submodules into a single channel on the VXI-MIO module, greatly increasing the number of analog input signals that you can digitize.

You can also use National Instruments terminal blocks, which have screw terminals to which you attach the input signals for the VXI-SC-1102/B/C submodules. In addition, some of these terminal blocks have a temperature sensor for thermocouple cold-junction compensation (CJC). The VXI-SC-1102/B/C submodules multiplex this cold-junction sensor with the 32 input channels during a hardware scan. A National Instruments isothermal terminal block is recommended for thermocouple applications.

Detailed specifications of the VXI-SC-1102/B/C submodules are listed in Appendix A, *Specifications*.

## What You Need to Get Started

---

To set up and use your VXI-SC-1102/B/C, you will need the following items:

- One of the following submodules:
  - VXI-SC-1102
  - VXI-SC-1102B
  - VXI-SC-1102C
- VXI-SC-1102/B/C User Manual*
- VXI-SC-1000 carrier module and documentation
- VXI-MIO module and documentation
- One of the following software packages and documentation:
  - ComponentWorks
  - LabVIEW for Windows
  - LabWindows/CVI for Windows
  - Measure
  - NI-DAQ for PC compatibles
  - VirtualBench
  - VXI*plug&play* instrument driver
- Your VXIbus system

# Software Programming Choices

---

There are several options to choose from when programming your National Instruments VXI-DAQ hardware. You can use LabVIEW, LabWindows/CVI, ComponentWorks, VirtualBench, or other application development environments with either NI-DAQ or the *VXIplug&play* instrument driver. Both NI-DAQ and the *VXIplug&play* instrument driver access the VXI-DAQ hardware through the VISA driver software.

## National Instruments Application Software

LabVIEW features interactive graphics, a state-of-the-art user interface, and a powerful graphical programming language. The LabVIEW Data Acquisition VI Library, a series of VIs for using LabVIEW with National Instruments DAQ hardware, is included with LabVIEW. The LabVIEW Data Acquisition VI Library is functionally equivalent to the NI-DAQ software.

LabWindows/CVI features interactive graphics, a state-of-the-art user interface, and uses the ANSI standard C programming language. The LabWindows/CVI Data Acquisition Library, a series of functions for using LabWindows/CVI with National Instruments DAQ hardware, is included with the NI-DAQ software kit. The LabWindows/CVI Data Acquisition Library is functionally equivalent to the NI-DAQ software.

ComponentWorks contains tools for data acquisition and instrument control built on NI-DAQ driver software. ComponentWorks provides a higher-level programming interface for building virtual instruments through standard OLE controls and DLLs. With ComponentWorks, you can use all of the configuration tools, resource management utilities, and interactive control utilities included with NI-DAQ.

VirtualBench features VIs that combine DAQ products, software, and your computer to create a stand-alone instrument with the added benefit of the processing, display, and storage capabilities of your computer. VirtualBench instruments load and save waveform data to disk in the same forms that can be used in popular spreadsheet programs and word processors.

Using LabVIEW, LabWindows/CVI, ComponentWorks, or VirtualBench software will greatly reduce the development time for your data acquisition and control application.

## NI-DAQ Driver Software

The NI-DAQ driver software is included at no charge with all National Instruments DAQ hardware. NI-DAQ is not packaged with accessory products. NI-DAQ has an extensive library of functions that you can call from your application programming environment. These functions include routines for analog input (A/D conversion), buffered data acquisition (high-speed A/D conversion), analog output (D/A conversion), waveform generation, digital I/O, counter/timer operations, SCXI, RTSI, self-calibration, messaging, and acquiring data to extended memory.

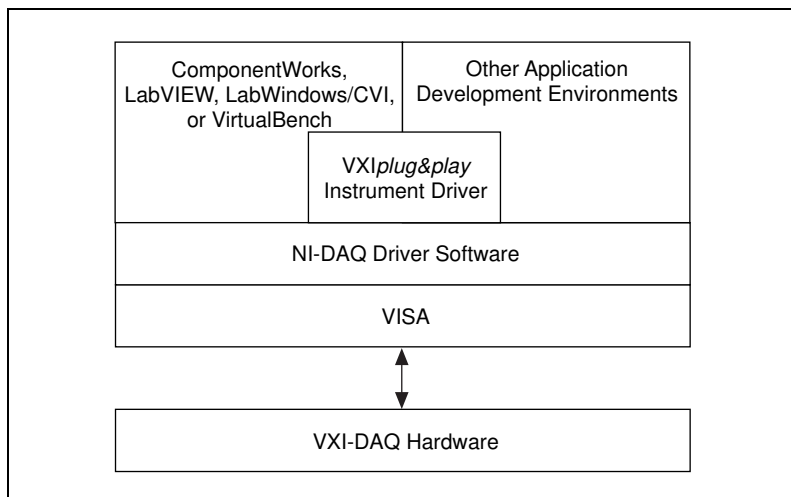
NI-DAQ has both high-level DAQ I/O functions for maximum ease of use and low-level DAQ I/O functions for maximum flexibility and performance. Examples of high-level functions are streaming data to disk or acquiring a certain number of data points. An example of a low-level function is writing directly to registers on the DAQ device. NI-DAQ does not sacrifice the performance of National Instruments DAQ devices because it lets multiple devices operate at their peak performance.

NI-DAQ maintains a consistent software interface among its different versions so that you can change platforms with minimal modifications to your code.



## VXIplug&play Instrument Driver

National Instruments distributes VXIplug&play instrument drivers free of charge. VXIplug&play instrument drivers are one level above the NI-DAQ device driver and contain high-level software functions whose architecture is specified by the VXIplug&play Systems Alliance. The VXIplug&play standards increase interoperability with other vendors, and ensure that drivers are designed and presented in a consistent fashion that facilitates ease of use. Refer to Figure 1-2 to see the relationship between your VXI-DAQ hardware and your software.



**Figure 1-2.** The Relationship between the Programming Environment, Your Instrument Driver, and Your VXI-DAQ Hardware

## Optional Equipment

National Instruments offers a variety of products to use with your VXI-SC-1102/B/C submodule, as follows:

- Terminal blocks and 96-pin cables that allow you to attach input signals to your submodule
- SCXI Process Current Resistor Kit

For more specific information about these products, refer to your National Instruments catalogue or call the office nearest you.

# Unpacking

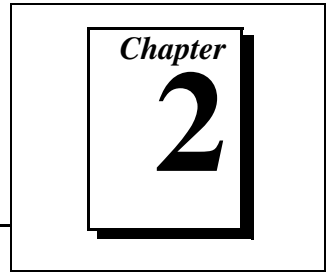
---

Your VXI-SC-1102/B/C submodule is shipped in an antistatic package to prevent electrostatic damage to the submodule. Electrostatic discharge can damage several components on the submodule. To avoid such damage in handling the submodule, take the following precautions:

- Ground yourself via a grounding strap or by holding a grounded object.
- Touch the antistatic package to a metal part of your VXIbus chassis before removing the submodule from the package.
- Remove the submodule from the package and inspect the submodule for loose components or any other sign of damage. Notify National Instruments if the module appears damaged in any way. *Do not* install a damaged submodule into your VXIbus chassis.
- *Never* touch the exposed pins of connectors.

# Installation

---



This chapter describes how to install current-loop receivers on your VXI-SC-1102/B/C and gives information about installing your VXI-SC-1102/B/C into the VXI-SC-1000 carrier module.

Refer to Figure 2-1, *VXI-SC-1102/B/C Parts Locator Diagram*, for information as you read the instructions in this chapter.



# Current-Loop Receivers

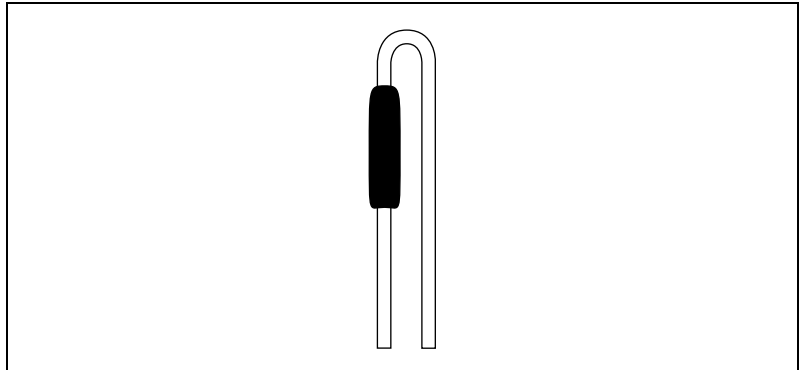
The VXI-SC-1102/B/C submodules have pads for transforming individual channels to current-to-voltage converters. National Instruments offers an SCXI Process Current Resistor Kit of four 249  $\Omega$ , 0.1%, 5 ppm, 1/4 W resistors. The reference designators for the current loop resistors have the following format: for input channel  $x$ , the resistor is RCL $x$ . For example, the resistor for channel 28 is RCL28.



**Caution:** *Before installing the resistors in your submodule, make sure that there are no signals connected to your submodule front connector.*

Install the resistors by performing the following steps:

1. Follow the instructions in the *VXI-SC-1000 Carrier Module Installation Guide* to remove your VXI-SC-1102/B/C submodule from the carrier assembly.
2. Bend and trim the resistor lead as shown in Figure 2-2. Be sure that the resistor does not extend more than 0.65 in. above the surface of the circuit board.



**Figure 2-2.** Bent and Trimmed Resistor

3. Insert the resistor into the appropriate pad, labeled RCL $x$ .
4. Solder the leads to the pad on the bottom side of the module.
5. Follow the instructions in the *VXI-SC-1000 Carrier Module Installation Guide* to replace the VXI-SC-1102/B/C submodule in the carrier assembly.

## Installing Your Hardware

---

Follow the instructions in the *VXI-SC-1000 Carrier Module Installation Guide* to install the assembled VXI-SC carrier module in the VXIbus chassis.

# Signal Connections

---

Chapter

3

This chapter describes the analog input signal connections to the VXI-SC-1102/B/C submodule via the front connector.



**Caution:** *Static electricity is a major cause of component failure. To prevent damage to the electrical components in the module, observe antistatic techniques whenever removing a module from the chassis or whenever working on a module.*

## Front Connector

---

Figure 3-1 shows the pin assignments for the VXI-SC-1102/B/C submodule front connector.

	A		B		C
CGND	32	CH0-	32	CH0+	32
NC	31	CH1-	31	CH1+	31
NC	30	CH2-	30	CH2+	30
NC	29	CH3-	29	CH3+	29
NC	28	CH4-	28	CH4+	28
NC	27	CH5-	27	CH5+	27
NC	26	CH6-	26	CH6+	26
NC	25	CH7-	25	CH7+	25
CGND	24	CH8-	24	CH8+	24
NC	23	CH9-	23	CH9+	23
NC	22	CH10-	22	CH10+	22
NC	21	CH11-	21	CH11+	21
NC	20	CH12-	20	CH12+	20
NC	19	CH13-	19	CH13+	19
NC	18	CH14-	18	CH14+	18
NC	17	CH15-	17	CH15+	17
CGND	16	CH16-	16	CH16+	16
NC	15	CH17-	15	CH17+	15
NC	14	CH18-	14	CH18+	14
NC	13	CH19-	13	CH19+	13
NC	12	CH20-	12	CH20+	12
NC	11	CH21-	11	CH21+	11
NC	10	CH22-	10	CH22+	10
NC	9	CH23-	9	CH23+	9
NC	8	CH24-	8	CH24+	8
NC	7	CH25-	7	CH25+	7
NC	6	CH26-	6	CH26+	6
CGND	5	CH27-	5	CH27+	5
CJSENSOR	4	CH28-	4	CH28+	4
CJSENSOR	3	CH29-	3	CH29+	3
CGND	2	CH30-	2	CH30+	2
+5 V	1	CH31-	1	CH31+	1

Figure 3-1. VXI-SC-1102/B/C Front Connector Pin Assignments



## Signal Descriptions

**Table 3-1.** Front Connector Signal Descriptions

Pin	Signal Name	Description
A1	+5 V	+5 VDC Source—Powers the temperature sensor on the terminal block. 0.2 mA of source not protected.
A2, A5, A16, A24, A32	CGND	Chassis Ground—Tied to the VXIbus chassis.
A3, A4	CJSENSOR	Cold-Junction Temperature Sensor Input—Connects to the temperature sensor of the terminal block.
B1–B32	CH31- through CH0-	Negative Input Channels 31–0 —Negative side of differential input channels.
C1–C32	CH31+ through CH0+	Positive Input Channels 31–0 —Positive side of differential input channels.
All other pins are not connected.		

## Channel Input Signal Connections

The signal terminals for the positive input channels are located in column C of the connector. The signal terminal for each corresponding negative input channel is located in column B of the connector. Each input goes to a separate filter and amplifier that is multiplexed to the module output buffer. The terminal block temperature sensor output—connected to pins A3 and A4 (CJSENSOR)—is also filtered and multiplexed to the module output buffer.

The differential input signal range of a VXI-SC-1102/B/C input channel is  $\pm 10 \text{ V/G}$ , where G is the gain selected on the VXI-SC-1102/B/C input channel. This differential input range is the maximum measurable voltage difference between the positive and negative channel inputs. The common-mode input signal range of a VXI-SC-1102/B/C input

channel is  $\pm 11$  V. This common-mode input range for either positive or negative channel input is the maximum input voltage (relative to CGND) that will result in a valid measurement. Each channel includes input protection circuitry to withstand the accidental application of voltages up to  $\pm 42$  VAC peak or VDC.



**Warning:** *Exceeding the input damage level ( $\pm 42$  VAC peak or VDC between input channels and chassis ground) can damage the VXI-SC-1102/B/C submodule, the VXIbus, and the VXI-MIO module. National Instruments is NOT liable for any injuries resulting from such signal connections.*

*Applying a voltage greater than  $\pm 42$  VAC peak or VDC to the VXI-SC-1102/B/C is an electrical shock hazard. National Instruments is NOT liable for any damages or injuries resulting from such voltage application.*

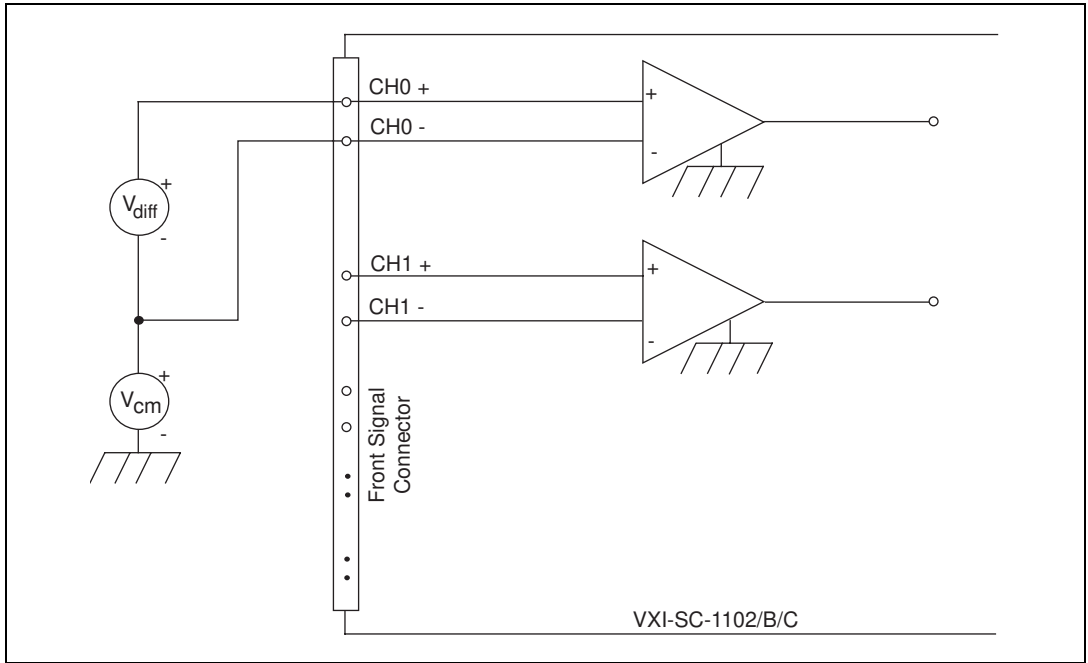


**Note:** *Exceeding the differential or common-mode input channel ranges results in a distorted signal measurement.*

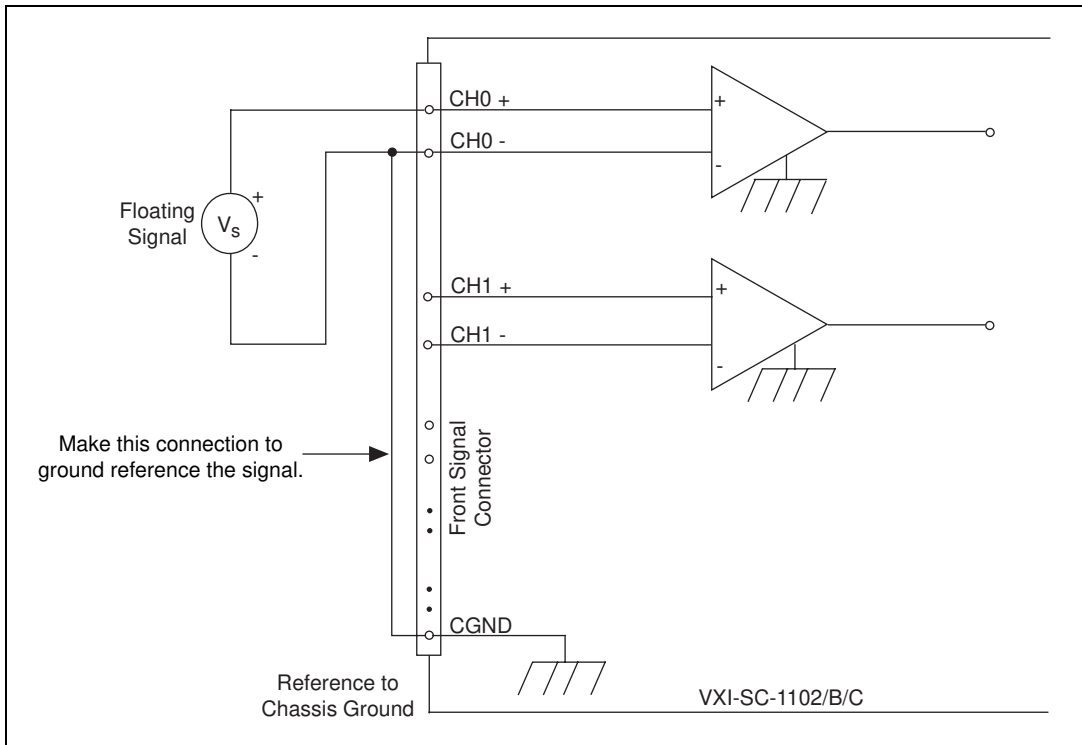
## Ground-Referencing Your Signals

Your input signals can be either ground-referenced, as shown in Figure 3-2, or floating, as shown in Figure 3-3. Before you connect your thermocouple or any other signal, determine whether it is floating or ground-referenced. If it is a floating signal, you must ground-reference the signal in one of two ways. You can connect the negative channel input to chassis ground as shown in Figure 3-3 or you can use the clamping resistors on a VXI-TB Series terminal block. The VXI-TB Series terminal block may also have a resistor pack for pulling up the positive inputs for open-thermocouple detection. Consult the terminal block installation guide for details.

Do not ground signals that are already ground-referenced; doing so will result in a ground loop, which adversely affects your measurement accuracy.



**Figure 3-2.** Ground-Referenced Signal Connection



**Figure 3-3.** Floating Signal Connection Referenced to Chassis Ground

## Cold-Junction Sensor Connection

Pins A3 and A4 (CJSENSOR) connect the temperature sensor located on the National Instruments VXI-TB Series terminal block to the VXI-SC-1102/B/C. The CJSENSOR signal is measured relative to CGND. Pins A3 and A4 are connected together within the VXI-SC-1102/B/C so the position of the MTEMP/DTEMP switch on the VXI-TB Series terminal block *does not matter*. The input is overvoltage-protected to 15 VDC with the power on and off.



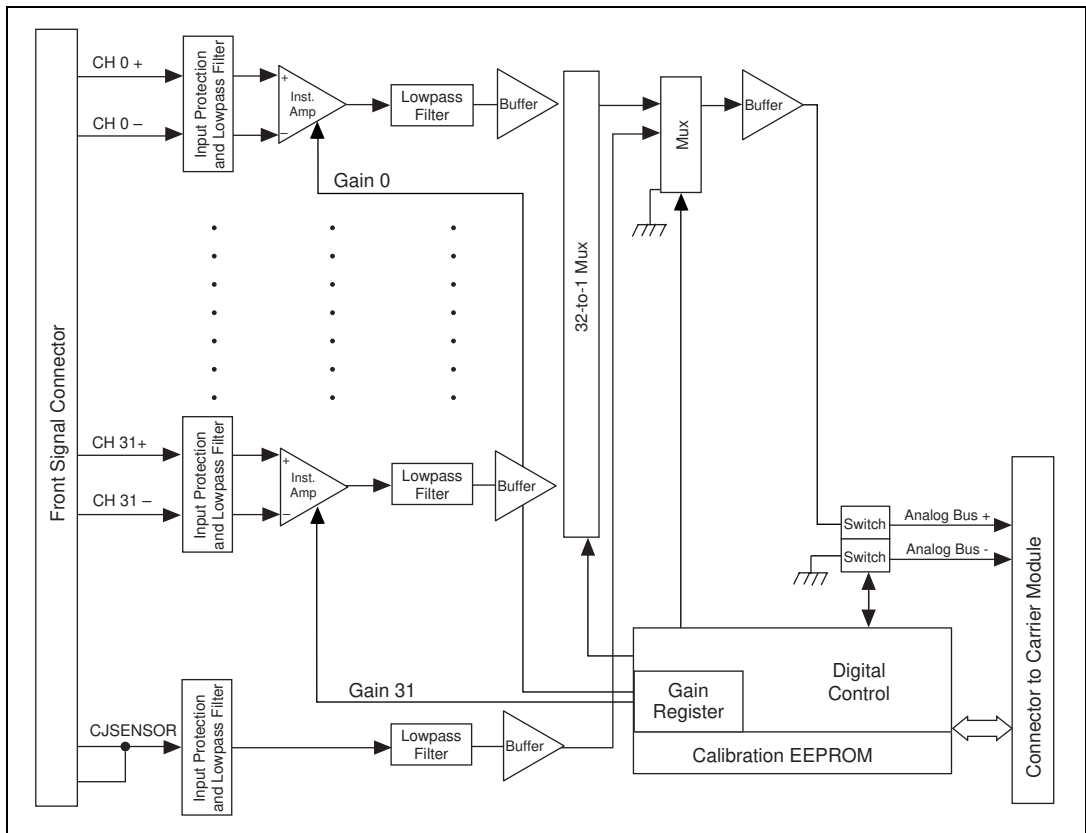
**Caution:** *Exceeding the overvoltage protection on the CJSENSOR input can damage the VXI-SC-1102/B/C submodule, the VXIbus, and the VXI-MIO board. National Instruments is NOT liable for any damages or injuries resulting from such signal connections.*

# Theory of Operation

This chapter contains a functional overview of the VXI-SC-1102/B/C submodules and explains the operation of each functional unit.

## Functional Overview

The block diagram in Figure 4-1 illustrates the key functional components of the VXI-SC-1102/B/C submodules.



**Figure 4-1.** VXI-SC-1102/B/C Block Diagram

The major components of the VXI-SC-1102/B/C submodules are as follows:

- VXIbus interface
- Digital control circuitry
- Analog circuitry

The VXI-SC-1102/B/C submodules consist of 32 multiplexed input channels, each with a software-programmable gain of 1 or 100. Each input channel has its own lowpass filter. The VXI-SC-1102/B/C submodules also have digital control circuitry for automatic control of channel scanning, temperature sensor selection, and gain selection.

## VXIbus Interface

---

The VXI-DAQ module controls the VXI-SC-1102/B/C over the VXIbus. The VXI-SC-1000 carrier module serves as an interface from the VXI-SC-1102/B/C submodules to the VXIbus.

## Digital Control Circuitry

---

The digital control circuitry consists of the address handler and the following registers: Module ID, Configuration, Status, EEPROM, Gain, and Channel. The address handler controls which register is being addressed. The Module ID Register contains a code unique to each type of VXI-SC-1102/B/C submodule:

- ◆ VXI-SC-1102—The Module ID is 42 decimal.
- ◆ VXI-SC-1102B—The Module ID is 43 decimal.
- ◆ VXI-SC-1102C—The Module ID is 63 decimal.

The Configuration Register configures the VXI-SC-1102/B/C submodules for the desired scanning mode and connection to the rear signal connector. The Status Register indicates whether the input channels have settled after a change in the gains. The EEPROM Register is the address for interfacing with the submodule's EEPROM, which contains calibration information. The Gain Register selects between gains of 1 or 100 for each of the 32 channels. The Channel Register selects a channel for a single measurement or a start channel for a scan. Refer to *Software Programming Choices* in Chapter 1,

*Introduction*, of this manual to learn about options for programming the control circuitry.

## Analog Circuitry

---

The analog circuitry per channel consists of a lowpass filter and an amplifier with a software-selectable gain of 1 or 100. The CJSSENSOR channel also has a buffered lowpass filter but has no amplifier. The channels and CJSSENSOR are multiplexed to a single output buffer.

### Analog Input Channels

Each of the 32 analog input channels drives a separate amplifier with a programmable gain of 1 or 100. Then the signal passes through a three-pole lowpass filter.



**Note:**

***Because of the 2 Hz bandwidth of the VXI-SC-1102 input channels, you must wait approximately 3 s after changing the gains before the channels settle and you can take an accurate measurement. NI-DAQ automatically reads the Status Register to determine when the module output has settled. This time is approximately 100 ms and 1 ms for the VXI-SC-1102B and VXI-SC-1102C, respectively.***

The temperature sensor consists of a thermistor located on a National Instruments VXI terminal block. The temperature sensor is for cold-junction compensation of thermocouples. The CJSSENSOR channel also passes through a 2 Hz lowpass filter to reject unwanted noise. Along with the other 32 input channels, the CJSSENSOR is multiplexed to the output buffer, where it can be read by the VXI-MIO module.

For a measurement accuracy of 0.012% of full scale, the minimum scan interval is 3  $\mu$ s. This is the smallest interval in which you can switch between analog channels on the submodule and still measure accurate voltages. The 3  $\mu$ s scan interval gives you a maximum sampling rate of 333 kHz. Because each VXI-SC-1102/B/C channel contains a lowpass filter, the 333 kHz sample rate allows you to sample multiple channels without undersampling any channel.

## Analog Output

The 32 input channels and the CJSSENSOR are multiplexed into one output. This output is passed to the VXI-SC-1000 carrier module, where it is connected to the analog bus for measurement by a VXI-MIO module.



# Calibration

---

Chapter

5

This chapter discusses the calibration procedures for the VXI-SC-1102/B/C submodules.

Using the procedure described in this chapter, you will be able to calculate the gain error and voltage offset on a per channel per gain basis. You can store these constants in the onboard EEPROM for future use and for automatic calibration when you are using National Instruments software. The VXI-SC-1102/B/C submodules come from the factory with factory-determined calibration constants in the EEPROM. However, National Instruments recommends that you recalibrate your VXI-SC-1102/B/C at least once per year or when you operate the submodule outside the 20° to 30° C temperature range.

In order to calibrate the VXI-SC-1102/B/C, you will need to apply precision voltages to the channel inputs and/or ground the channel inputs.

## Calibration Equipment Requirements

---

According to standard practice, the equipment you use to calibrate the VXI-SC-1102/B/C should be 10 times as accurate as the VXI-SC-1102/B/C submodule itself. Calibration equipment with four times the accuracy of the VXI-SC-1102/B/C is generally considered acceptable. To calibrate the VXI-SC-1102/B/C submodules, you need a voltmeter with the following specifications:

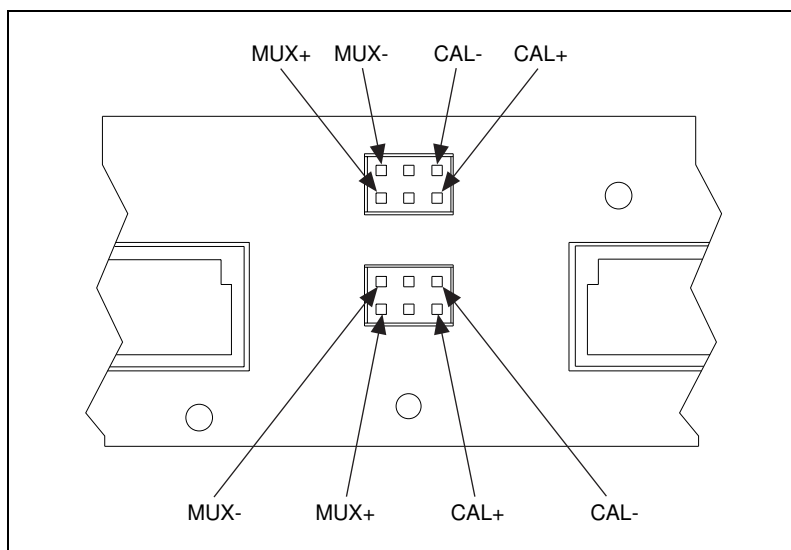
- Accuracy       $\pm 6$  ppm standard reading  
                     $\pm 15$  ppm sufficient reading
- Range             $\pm 10$  V
- Resolution     8.5 digits

A multiranging 8.5-digit digital multimeter (DMM) can perform the necessary calibrations.

To make sure that the DMM does not introduce an additional offset, you can determine the offset error of the DMM by shorting its leads together

and reading the measured value. This value, the DMM offset, must be subtracted from all subsequent measurements.

Measure the submodule's output at the analog bus receptacle (see Figure 1-1 for the location of this receptacle). Refer to Figure 5-1 to connect the positive DMM input to MUX+ and the negative DMM input to MUX-.



**Figure 5-1.** Analog Bus Receptacle Pin Assignment

## Gain and Offset Calibration

To determine the offset and gain calibration factors of the VXI-SC-1102/B/C submodules for a given gain, perform the following steps for a two-point calibration. For two-point calibration, it is best to use input voltages that correspond to the signal range of interest. For example, to measure bipolar voltages over the submodule's full input range, choose  $-9.9 \text{ V/G}$  (negative full-scale) and  $+9.9 \text{ V/G}$  (positive full-scale) as your two input voltages.

1. Select the desired channel. Set the channel gain to the desired gain.
2. Apply the input for the first calibration point. To select negative full scale as the calibration point, apply  $-9.9 \text{ V/G}$  for an input voltage.
  - a. Apply the input voltage to the channel selected in Step 1.



**Note:** *To make one of your calibration points the zero point, connect the positive and negative channel leads to one of the chassis ground pins on the front connector or terminal block.*

- b. Measure the input voltage with the DMM. Call the measured voltage `input1`.



**Note:** *If you are using a calibrator that supplies accurate voltages, you can simply use the known applied voltage for `input1` instead of measuring.*

- c. Measure the module output at the analog bus receptacle with the DMM. Call the measured voltage `output1`.
3. Repeat Step 2, applying the input for the second calibration point. Call the measured voltages `input2` and `output2`. To select positive full scale as the calibration point, repeat Step 2 and apply +9.9 V/G.
4. You now have two pairs of voltages (`input1, output1`) and (`input2, output2`). Each pair consists of an input voltage and an output voltage.
5. Convert the output voltages from volt units to your VXI-MIO module binary unit. You must take into consideration the polarity of your VXI-MIO module, its resolution (12 bits or 16 bits), and gain. For example, if you are using the 12-bit VXI-MIO-64E-1 in bipolar mode with the gain set to  $G_{MIO}$ , your output voltages for the autozeroing option will be represented in binary units as given by the following formula:

$$Binary = \frac{Output}{5V} \cdot 2^{12} \cdot G_{MIO}$$

For other VXI-MIO modules, refer to the device user manual to determine the appropriate formula.

6. You now have a new set of pairs referred to as voltage binary pairs (`input1, bin_output1`) and (`input2, bin_output2`). Pass these pairs to the `SCXI_Cal_Constants` function or VI as described in your software user documentation.



**Note:** *When you use 0 V and positive full-scale for your two calibration points, you eliminate the error at 0 V and at positive full-scale voltage. However, because of nonlinearity, the error at the negative full-scale voltage will be two times the nonlinearity error. This is also true for the positive full-scale voltage if you use the negative full-scale voltage and 0 V as your two calibration points.*

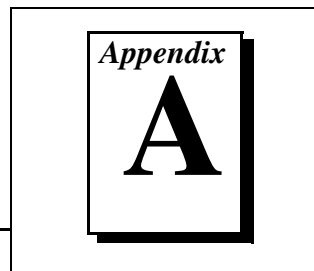
***When you make a measurement using LabVIEW, ComponentWorks, or VirtualBench, the driver automatically uses the calibration constants to correct the measured voltages.***

***When you use application development environments other than LabVIEW, ComponentWorks, or VirtualBench, you have the option to apply the calibration constants to measured voltages through the NI-DAQ API.***

Refer to Appendix B, *Calibration Sample Program*, for an example of a calibration program for your submodule.

# Specifications

---



This appendix lists the specifications for the VXI-SC-1102/B/C submodules. These specifications are typical at 25° C unless otherwise noted.

## VXI-SC-1102/B/C

---

### Analog Input

#### Input Characteristics

Number of channels .....	32 differential
Input signal ranges.....	$\pm 100$ mV (gain = 100) or $\pm 10$ V (gain = 1)
Max working voltage (signal + common mode) .....	Each input should remain within $\pm 10$ V of CGND
Input damage level .....	$\pm 42$ VAC peak or VDC
Inputs protected.....	CH<0..31>, CJSENSOR

#### Transfer Characteristics

Nonlinearity .....	0.005% FSR
Offset error	
Gain = 1	
After calibration .....	300 $\mu$ V max
Before calibration .....	600 $\mu$ V
Gain = 100	
After calibration .....	15 $\mu$ V max
Before calibration .....	100 $\mu$ V

Gain error

Gain = 1

After calibration..... 0.015% of reading max

Before calibration ..... 0.04% of reading

Gain = 100

After calibration..... 0.02% of reading max

Before calibration ..... 0.1% of reading

## Amplifier Characteristics

Input impedance

Normal powered on ..... >1 GΩ

Powered off ..... 10 kΩ

Overload..... 10 kΩ

Input bias current.....±0.5 nA

Input offset current.....±1.0 nA

CMRR

	<b>1102</b>	<b>1102B</b>	<b>1102C</b>
50 to 60 Hz, either gain	110 dB	90 dB	90 dB
0 Hz, gain 1	75 dB min	75 dB min	75 dB min
0 Hz, gain 100	100 dB min	100 dB min	100 dB min

Output range .....±10 V

Output impedance ..... 0.1 Ω

## Dynamic Characteristics

Bandwidth (-3 dB) ..... 2 Hz (1102)  
 200 Hz (1102B)  
 10 kHz (1102C)

Scan interval (per channel, any gain)

0.012% ..... 3 μs

0.0061% ..... 10 μs

System noise (related to input)

	<b>1102</b>	<b>1102B</b>	<b>1102C</b>
Gain = 1	50 $\mu$ Vrms	50 $\mu$ Vrms	70 $\mu$ Vrms
Gain = 100	5 $\mu$ Vrms	5 $\mu$ Vrms	10 $\mu$ Vrms

## Filters

Cutoff frequency (–3 dB) .....2 Hz (1102)  
 200 Hz (1102B)  
 10 kHz (1102C)

NMR (60 Hz) .....40 dB

Step response (either gain)

	<b>1102</b>	<b>1102B</b>	<b>1102C</b>
To 0.1%	1 s	10 ms	200 $\mu$ s
To 0.01%	10 s	100 ms	1 ms

## Stability

Recommended warm-up time .....20 min.

Offset temperature coefficient

Gain = 1 .....20  $\mu$ V/°C

Gain = 100 .....1  $\mu$ V/°C

Gain temperature coefficient .....10 ppm/°C

## Physical

Dimensions .....115 by 273 mm  
 (4.54 by 10.75 in.)

I/O connector .....50-pin male ribbon cable  
 rear connector  
 96-pin male DIN C front  
 connector

## Environment

Operating temperature .....	0° to 50° C
Storage temperature .....	-55° to 150° C
Relative humidity .....	5% to 90% noncondensing

## Power Requirements

5 V supply .....	15 mA max
±15 V supply (regulated from ±24 V supply) .....	150 mA max



# Calibration Sample Program

---

Appendix

**B**

This chapter contains a sample program to help you calibrate your submodule.

## Sample Program for Calibration

---

The following sample C program will help you calibrate the VXI-SC-1102/B/C submodules. The calibration constants are stored only in NI-DAQ memory. You must enter the (input, output) voltage pairs read by a DMM by hand. Before running the sample program below, you must run the NI-DAQ Configuration Utility to configure the VXI-SC chassis and to configure the DAQ device that will communicate with the VXI-SC-1102/B/C.

The following sample program is written to work for a DAQ device, such as the VXI-MIO-64E-1, with a 5 V full-scale input:

```
#include <stdio.h>
#include <math.h>
#include <dataacq.h>

#define MIO_FULL_SCALE      5.0                /* valid for VXI-MIO-64E-1 */
#define N_VXI_SC_SLOTS     24
#define NIDAQMEM            0
#define ALL                 -1

int
enterInt (char *prompt)
{
    short
        ret;
    int
        value;
```

```

do
{
    fputs(prompt, stdout);
    fflush(stdin);
    ret = scanf("%d", &value);
} while (!ret);
return (value);
}

double
enterFloat (char *prompt)
{
    short
        ret;
    double
        value;

    do
    {
        fputs(prompt, stdout);
        fflush(stdin);
        ret = scanf("%lf", &value);
    } while (!ret);
    return (value);
}

void
main()
{
    int
        vxiChassisID,
        commPath,
        moduleSlot, /* slot of module to calibrate */
        moduleChan;

    short
        dummyRangeCode = 0,
        dummyDAQboard,
        dummyDAQchan = 0,
        dummyDAQgain = 1,
        dummyDAQrange; /* These dummy variables would be
                        used if the measurement actually
                        came from a DAQ board and not an
                        external DMM. */
}

```

```

double
    scale,
    gain,
    vInput1,
    vOutput1,
    vInput2,
    vOutput2,
    binOutput1,
    binOutput2,
    binOffset,
    gainerr,
    offset;

do
{
    vxichassisID = enterInt ("\nEnter chassis ID of the VXI-SC chassis:");
} while (vxichassisID < 1);
do
{
    moduleSlot = enterInt ("Enter slot of the VXI-SC-1102: ");
} while (moduleSlot < 1 || N_VXI_SC_SLOTS < moduleSlot);
do
{
    commPath = enterInt ("Enter device number of the DAQ board"
                        "controlling the chassis: ");
} while (commPath < 0);
dummyDAQboard = commPath;
dummyDAQrange = MIO_FULL_SCALE / dummyDAQgain;
scale = pow(2.0, 12.0) * dummyDAQgain / 10;
/* factor for converting to format
of 12-bit bipolar DAQ board */
SCXI_Reset (vxichassisID, moduleSlot);
SCXI_Single_Chan_Setup (vxichassisID, moduleSlot, 0, dummyDAQboard);
/* This is necessary only so that
SCXI_Change_Chan won't return
an error. */
for (gain = 1; gain <= 100; gain = gain + 99)
{
    SCXI_Set_Gain (vxichassisID, moduleSlot, ALL, gain);
    /* Set the gain on all channels. */
    for (moduleChan = 0; moduleChan < 32; moduleChan++)

```

```

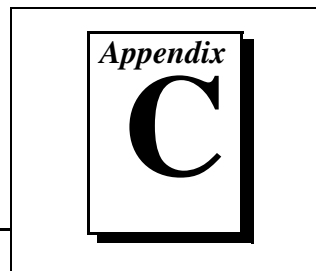
{
    SCXI_Change_Chan (vxiChassisID, moduleSlot, moduleChan);
                        /* Select the channel. */
    printf("Apply input voltage for point 1, channel %d, gain %.0f.\n"
           moduleChan, gain);,
    vInput1    = enterFloat ("Enter VXI-SC-1102 input voltage: ");
                        /* User enters vInput1. */
    vOutput1 = enterFloat ("Enter VXI-SC-1102 output voltage: ");
                        /* User enters vOutput1. */
    printf("Apply input voltage for point 2, channel %d, gain
           %.0f.\n",moduleChan, gain);
    vInput2   = enterFloat ("Enter VXI-SC-1102 input voltage: ");
                        /* User enters vInput2. */
    vOutput2 = enterFloat ("Enter VXI-SC-1102 output voltage: ");
                        /* User enters vOutput2. */

    binOutput1= vOutput1*scale;
    binOutput2= vOutput2*scale; /* Convert to DAQ board's format. */
    SCXI_Cal_Constants (vxiChassisID, moduleSlot, moduleChan,
                        2, NIDAQMEM, dummyRangeCode, gain,
                        dummyDAQboard, dummyDAQchan, dummyDAQgain, 1,
                        vInput1, binOutput1, vInput2, binOutput2,
                        &binOffset, &gainerr);
                        /* Calculate offset & gain error. */
    offset    = binOffset/scale; /* Convert from DAQ board format. */
    printf("Calculated offset %f V, gain ratio (actual/ideal) %f"
           "and stored in NI-DAQ memory.\n\n", offset, gainerr);
}
}
}

```

# Customer Communication

---



For your convenience, this appendix contains forms to help you gather the information necessary to help us solve your technical problems and a form you can use to comment on the product documentation. When you contact us, we need the information on the Technical Support Form and the configuration form, if your manual contains one, about your system configuration to answer your questions as quickly as possible.

National Instruments has technical assistance through electronic, fax, and telephone systems to quickly provide the information you need. Our electronic services include a bulletin board service, an FTP site, a fax-on-demand system, and e-mail support. If you have a hardware or software problem, first try the electronic support systems. If the information available on these systems does not answer your questions, we offer fax and telephone support through our technical support centers, which are staffed by applications engineers.

## Electronic Services



### Bulletin Board Support

National Instruments has BBS and FTP sites dedicated for 24-hour support with a collection of files and documents to answer most common customer questions. From these sites, you can also download the latest instrument drivers, updates, and example programs. For recorded instructions on how to use the bulletin board and FTP services and for BBS automated information, call (512) 795-6990. You can access these services at:

United States: (512) 794-5422

Up to 14,400 baud, 8 data bits, 1 stop bit, no parity

United Kingdom: 01635 551422

Up to 9,600 baud, 8 data bits, 1 stop bit, no parity

France: 01 48 65 15 59

Up to 9,600 baud, 8 data bits, 1 stop bit, no parity



### FTP Support

To access our FTP site, log on to our Internet host, `ftp.natinst.com`, as anonymous and use your Internet address, such as `joesmith@anywhere.com`, as your password. The support files and documents are located in the `/support` directories.



## Fax-on-Demand Support

Fax-on-Demand is a 24-hour information retrieval system containing a library of documents on a wide range of technical information. You can access Fax-on-Demand from a touch-tone telephone at (512) 418-1111.



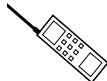
## E-Mail Support (currently U.S. only)

You can submit technical support questions to the applications engineering team through e-mail at the Internet address listed below. Remember to include your name, address, and phone number so we can contact you with solutions and suggestions.

support@natinst.com

## Telephone and Fax Support

National Instruments has branch offices all over the world. Use the list below to find the technical support number for your country. If there is no National Instruments office in your country, contact the source from which you purchased your software to obtain support.



### Telephone



### Fax

Australia	03 9879 5166	03 9879 6277
Austria	0662 45 79 90 0	0662 45 79 90 19
Belgium	02 757 00 20	02 757 03 11
Canada (Ontario)	905 785 0085	905 785 0086
Canada (Quebec)	514 694 8521	514 694 4399
Denmark	45 76 26 00	45 76 26 02
Finland	09 725 725 11	09 725 725 55
France	01 48 14 24 24	01 48 14 24 14
Germany	089 741 31 30	089 714 60 35
Hong Kong	2645 3186	2686 8505
Israel	03 5734815	03 5734816
Italy	02 413091	02 41309215
Japan	03 5472 2970	03 5472 2977
Korea	02 596 7456	02 596 7455
Mexico	5 520 2635	5 520 3282
Netherlands	0348 433466	0348 430673
Norway	32 84 84 00	32 84 86 00
Singapore	2265886	2265887
Spain	91 640 0085	91 640 0533
Sweden	08 730 49 70	08 730 43 70
Switzerland	056 200 51 51	056 200 51 55
Taiwan	02 377 1200	02 737 4644
United Kingdom	01635 523545	01635 523154
United States	512 795 8248	512 794 5678

# Technical Support Form

Photocopy this form and update it each time you make changes to your software or hardware, and use the completed copy of this form as a reference for your current configuration. Completing this form accurately before contacting National Instruments for technical support helps our applications engineers answer your questions more efficiently.

If you are using any National Instruments hardware or software products related to this problem, include the configuration forms from their user manuals. Include additional pages if necessary.

Name \_\_\_\_\_

Company \_\_\_\_\_

Address \_\_\_\_\_

\_\_\_\_\_

Fax ( \_\_\_\_ ) \_\_\_\_\_ Phone ( \_\_\_\_ ) \_\_\_\_\_

Computer brand \_\_\_\_\_ Model \_\_\_\_\_ Processor \_\_\_\_\_

Operating system (include version number) \_\_\_\_\_

Clock speed \_\_\_\_\_ MHz RAM \_\_\_\_\_ MB Display adapter \_\_\_\_\_

Mouse \_\_\_yes \_\_\_no Other adapters installed \_\_\_\_\_

Hard disk capacity \_\_\_\_\_ MB Brand \_\_\_\_\_

Instruments used \_\_\_\_\_

\_\_\_\_\_

National Instruments hardware product model \_\_\_\_\_ Revision \_\_\_\_\_

Configuration \_\_\_\_\_

National Instruments software product \_\_\_\_\_ Version \_\_\_\_\_

Configuration \_\_\_\_\_

The problem is: \_\_\_\_\_

\_\_\_\_\_

\_\_\_\_\_

\_\_\_\_\_

List any error messages: \_\_\_\_\_

\_\_\_\_\_

\_\_\_\_\_

The following steps reproduce the problem: \_\_\_\_\_

\_\_\_\_\_

\_\_\_\_\_

\_\_\_\_\_

\_\_\_\_\_

\_\_\_\_\_

# VXI-SC-1102/B/C Submodule Hardware and Software Configuration Form

Record the settings and revisions of your hardware and software on the line to the right of each item. Complete a new copy of this form each time you revise your software or hardware configuration, and use this form as a reference for your current configuration. Completing this form accurately before contacting National Instruments for technical support helps our applications engineers answer your questions more efficiently.

## National Instruments Products

Application Software and Version \_\_\_\_\_

## Other Products

Computer make and model \_\_\_\_\_

Microprocessor \_\_\_\_\_

Clock frequency or speed \_\_\_\_\_

Type of video board installed \_\_\_\_\_

Operating system version \_\_\_\_\_

Operating system mode \_\_\_\_\_

Programming language \_\_\_\_\_

Programming language version \_\_\_\_\_

Other boards in system \_\_\_\_\_

Base I/O address of other boards \_\_\_\_\_

DMA channels of other boards \_\_\_\_\_

Interrupt level of other boards \_\_\_\_\_



# Documentation Comment Form

National Instruments encourages you to comment on the documentation supplied with our products. This information helps us provide quality products to meet your needs.

**Title:** *VXI-SC-1102/B/C User Manual*

**Edition Date:** August 1997

**Part Number:** 321385B-01

Please comment on the completeness, clarity, and organization of the manual.

---

---

---

---

---

---

---

---

If you find errors in the manual, please record the page numbers and describe the errors.

---

---

---

---

---

---

---

---

Thank you for your help.

Name \_\_\_\_\_

Title \_\_\_\_\_

Company \_\_\_\_\_

Address \_\_\_\_\_

---

Phone ( \_\_\_ ) \_\_\_\_\_ Fax ( \_\_\_ ) \_\_\_\_\_

**Mail to:** Technical Publications  
National Instruments Corporation  
6504 Bridge Point Parkway  
Austin, TX 78730-5039

**Fax to:** Technical Publications  
National Instruments Corporation  
(512) 794-5678

---

Prefix	Meaning	Value
p-	pico-	$10^{-12}$
n-	nano-	$10^{-9}$
$\mu$ -	micro-	$10^{-6}$
m-	milli-	$10^{-3}$
k-	kilo-	$10^3$
M-	mega-	$10^6$
G-	giga-	$10^9$

## Numbers/Symbols

+5 V                      +5 volt signal

°                              degrees

$\Omega$                             ohms

%                             percent

±                              plus or minus

## A

AC                            alternating current

A/D                          analog-to-digital

ADC                         analog-to-digital converter—an electronic device, often an integrated circuit, that converts an analog voltage to a digital number

amplification a type of signal conditioning that improves accuracy in the resulting digitized signal and reduces noise

API application programming interface

## **B**

bus the group of conductors that interconnect individual circuitry in a computer. Typically, a bus is the expansion vehicle to which I/O or other devices are connected. Examples of PC buses are the AT bus, NuBus, Micro Channel, and EISA bus.

## **C**

C Celsius

CGND chassis ground signal

channel pin or wire lead to which you apply or from which you read the analog or digital signal. Analog signals can be single-ended or differential. For digital signals, you group channels to form ports. Ports usually consist of either four or eight digital channels.

CH<0..31> - negative input channels 0 through 31

CH<0..31>+ positive input channels 0 through 31

CJC cold-junction compensation—a method of compensating for inaccuracies in thermocouple circuits

CJSENSOR cold-junction sensor

## **D**

DAQ data acquisition—(1) collecting and measuring electrical signals from sensors, transducers, and test probes or fixtures and inputting them to a computer for processing; (2) collecting and measuring the same kinds of electrical signals with A/D and/or DIO boards plugged into a computer, and possibly generating control signals with D/A and/or DIO boards in the same computer

DC direct current

DIFF	differential configuration
differential input	an analog input consisting of two terminals, both of which are isolated from computer ground, whose difference is measured
drivers/driver software	software that controls a specific hardware device such as a DAQ board

## F

filtering	a type of signal conditioning that allows you to filter unwanted signals from the signal you are trying to measure
FSR	full-scale range

## G

G	gain—the factor by which a signal is amplified, sometimes expressed in decibels
---	---

## H

hex	hexadecimal
Hz	hertz

## I

in.	inches
input impedance	the measured resistance and capacitance between the input terminals of a circuit
instrument driver	a set of high-level software functions that controls a specific VXI or RS-232 programmable instrument or a specific plug-in DAQ board. Instrument drivers are available in several forms, ranging from a function callable language to a virtual instrument (VI) in LabVIEW.

## L

logical address            An 8-bit number that uniquely identifies each VXIbus device in a system. It defines the A16 register addresses of a device, and indicates Commander and Servant relationships.

LSB                        least significant bit

## M

mainframe                The chassis of a VXIbus system that mechanically contains VXI modules inserted into the backplane, ensuring that connectors fit properly and that adjacent modules do not contact each other. It also provides cooling airflow, and ensures that modules do not disengage from the backplane due to vibration or shock.

MB                        megabytes of memory

MIO                        multifunction I/O

MSB                        most significant bit

mux                        multiplexer—a switching device with multiple inputs that sequentially connects each of its inputs to its output, typically at high speeds, in order to measure several signals with a single analog input channel

## N

NC                        not connected (signal)

noise                      an undesirable electrical signal—Noise comes from external sources such as the AC power line, motors, generators, transformers, fluorescent lights, soldering irons, CRT displays, computers, electrical storms, welders, radio transmitters, and internal sources such as semiconductors, resistors, and capacitors. Noise corrupts signals you are trying to send or receive.

**R**

RMA	Return Material Authorization
rms	root mean square

**S**

SCMP	signal conditioning minipod
signal conditioning	the manipulation of signals to prepare them for digitizing
slot	A position where a module can be inserted into a VXIbus backplane. Each slot provides the 96-pin J connectors to interface with the board P connectors. A slot can have one, two, or three connectors.
S/s	samples per second

**T**

thermocouple	a temperature sensor created by joining two dissimilar metals. The junction produces a small voltage as a function of the temperature.
transducer excitation	a type of signal conditioning that uses external voltages and currents to excite the circuitry of a signal conditioning system into measuring physical phenomena

**V**

V	volts
VAC	volts alternating current
$V_{em}$	common-mode voltage
VDC	volts, direct current
$V_{diff}$	differential voltage

VI	virtual instrument—(1) a combination of hardware and/or software elements, typically used with a PC, that has the functionality of a classic stand-alone instrument (2) a LabVIEW software module (VI), which consists of a front panel user interface and a block diagram program
$V_{IH}$	volts, input high
$V_{IL}$	volts, input low
$V_{in}$	volts in
VISA	a new driver software architecture developed by National Instruments to unify instrumentation software GPIB, DAQ, and VXI. It has been accepted as a standard for VXI by the <i>VXIplug&amp;play</i> Systems Alliance.
$V_{OH}$	volts, output high
$V_{OL}$	volts, output low
VXIbus	VMEbus eXtensions for Instrumentation
<i>VXIplug&amp;play</i> Systems Alliance	A group of VXI developers dedicated to making VXI devices as easy to use as possible, primarily by simplifying software development

## W

waveform	a time-varying physical phenomenon, often measured in voltage
----------	---

---

## Numbers

+5 V signal (table), 3-3

## A

address handler, 4-2

analog circuitry, 4-3 to 4-4

    analog input channels, 4-3

    analog output, 4-4

analog input specifications, A-1 to A-4

    amplifier characteristics, A-2

    dynamic characteristics, A-2 to A-3

    input characteristics, A-1

    transfer characteristics, A-1 to A-2

analog output, 4-4

## B

bulletin board support, C-1

## C

calibration, 5-1 to 5-4

    equipment requirements, 5-1 to 5-2

    gain and offset calibration, 5-2 to 5-4

    overview, 5-1

    sample program, B-1 to B-4

CGND signal (table), 3-3

CH31- through CH0- signals (table), 3-3

CH31+ through CH0+ signals (table), 3-3

channel input signal connections, 3-3 to 3-4

    common-mode input signal range,  
    3-3 to 3-4

    differential input signal range, 3-3

    exceeding input levels and ranges  
    (warning), 3-4

    signal terminals, 3-3

Channel Register, 4-2

CJSENSOR signal

    cold-junction sensor connection, 3-6

    description (table), 3-3

    exceeding overvoltage protection  
    (warning), 3-6

cold-junction sensor connection, 3-6

common-mode input signal range, 3-3 to 3-4

ComponentWorks application software, 1-4

Configuration Register, 4-2

current-loop receivers, installing, 2-3

customer communication, *xii*, C-1 to C-2

## D

differential input signal range, 3-3

digital control circuitry, 4-2 to 4-3

documentation

    conventions used in manual, *x* to *xi*

    National Instruments documentation,  
    *xi* to *xii*

    organization of manual, *ix* to *x*

    related documentation, *xii*



## E

- e-mail support, C-2
- EEPROM Register, 4-2
- electronic support services, customer communication
- environment specifications, A-4
- equipment, optional, 1-6

## F

- FaxBack support, C-2
- filler panel, 1-2
- filter specifications, A-3
- floating signal connection
  - referenced to chassis ground (figure), 3-6
- front connector pin assignments (figure), 3-2
- FTP support, C-1

## G

- gain and offset calibration, 5-2 to 5-4
- Gain Register, 4-2
- ground-referencing signals, 3-4
  - floating signal connection
    - referenced to chassis ground (figure), 3-6
  - ground-referenced signal connection (figure), 3-5

## H

- hardware installation. *See* installation.

## I

- input damage level, exceeding (warning), 3-4
- installation, 2-1 to 2-4
  - current-loop receivers, 2-3
  - hardware installation, 2-4

- parts locator diagram, 2-2
- unpacking the VXI-SC-1102/B/C, 1-7

## L

- LabVIEW application software, 1-4
- LabWindows/CVI application software, 1-4

## M

- manual. *See* documentation.
- Module ID Register, 4-2

## N

- NI-DAQ driver software, 1-5

## P

- parts locator diagram, 2-2
- physical specifications, A-3
- pins
  - front connector pin assignments (figure), 3-2
  - front connector signal descriptions (table), 3-3
- power requirements, A-4

## R

- requirements for getting started, 1-3
- resistors
  - bent and trimmed resistor (figure), 2-3
  - disconnecting signals before installing (warning), 2-3
  - installing current-loop receivers, 2-3

**S**

- scan interval, minimum, 4-3
- settling time (note), 4-3
- signal connections, 3-1 to 3-6
  - channel input signal connections, 3-3 to 3-4
  - cold-junction sensor connection, 3-6
  - front connector pin assignments (figure), 3-2
  - ground-referencing signals, 3-4
    - floating signal connection referenced to chassis ground (figure), 3-6
    - ground-referenced signal connection (figure), 3-5
  - signal descriptions (table), 3-3
  - static electricity damage (caution), 3-1
- signal terminals for input channels, 3-3
- software programming choices, 1-4 to 1-6
  - National Instruments application software, 1-4 to 1-6
  - NI-DAQ driver software, 1-5
  - VXI*plug&play* instrument driver, 1-6
- specifications, A-1 to A-4
  - amplifier characteristics, A-2
  - dynamic characteristics, A-2 to A-3
  - environment, A-4
  - filters, A-3
  - input characteristics, A-1
  - physical, A-3
  - power requirements, A-4
  - stability, A-3
  - transfer characteristics, A-1 to A-2
- stability specifications, A-3
- Status Register, 4-2

**T**

- technical support, customer communication
- telephone and fax support, C-2
- temperature sensor, 4-3
- theory of operation, 4-1 to 4-4
  - analog circuitry, 4-3 to 4-4
    - analog input channels, 4-3
    - analog output, 4-4
  - block diagram of VXI-SC-1102, 4-1
  - digital control circuitry, 4-2 to 4-3
  - functional overview, 4-1 to 4-2
  - VXIbus interface, 4-2

**U**

- unpacking the VXI-SC-1102, 1-7

**V**

- VirtualBench application software, 1-4
- VXI-SC-1000 carrier module, 1-2
- VXI-SC-1102/B/C. *See also* theory of operation.
  - features, 1-2 to 1-3
  - optional equipment, 1-6
  - parts locator diagram, 2-2
  - requirements for getting started, 1-3
  - software programming choices, 1-4 to 1-6
    - National Instruments application software, 1-4
    - NI-DAQ driver software, 1-5
    - VXI*plug&play* instrument driver, 1-6
  - unpacking, 1-7
  - VXI signal conditioning system (figure), 1-1
- VXI signal conditioning system (figure), 1-1
- VXIbus interface, 4-2
- VXI*plug&play* instrument driver, 1-6