

COMPREHENSIVE SERVICES

We offer competitive repair and calibration services, as well as easily accessible documentation and free downloadable resources.

SELL YOUR SURPLUS

We buy new, used, decommissioned, and surplus parts from every NI series. We work out the best solution to suit your individual needs.

 Sell For Cash  Get Credit  Receive a Trade-In Deal

OBSOLETE NI HARDWARE IN STOCK & READY TO SHIP

We stock **New**, **New Surplus**, **Refurbished**, and **Reconditioned** NI Hardware.



Bridging the gap between the manufacturer and your legacy test system.

 1-800-915-6216

 www.apexwaves.com

 sales@apexwaves.com

All trademarks, brands, and brand names are the property of their respective owners.

Request a Quote

 **CLICK HERE**

cDAQ-9188

INSTALLATION GUIDE

NI 9904/9905/9907 Panel Mounting Kits

The National Instruments 9904/9905/9907 panel mounting kits are accessories you can use to mount CompactRIO, CompactDAQ, and MXI-Express RIO chassis on flat surfaces.

- **NI 9904**—For four-slot chassis. The kit ships with the panel mounting plate, two M4x17 screws, two M4x22 screws, and two M4x25 screws. Refer to Figure 1 for the dimensions of the panel mounting plate.
- **NI 9905**—For eight-slot chassis. The kit ships with the panel mounting plate, two M4x17 screws, two M4x22 screws, and three M4x23 screws. Refer to Figure 2 for the dimensions of the panel mounting plate.
- **NI 9907**—For 14-slot chassis. The kit ships with the panel mounting plate and six M4x10 screws. Refer to Figure 3 for the dimensions of the panel mounting plate.

Figure 1. NI 9904 Panel Mounting Plate Dimensions

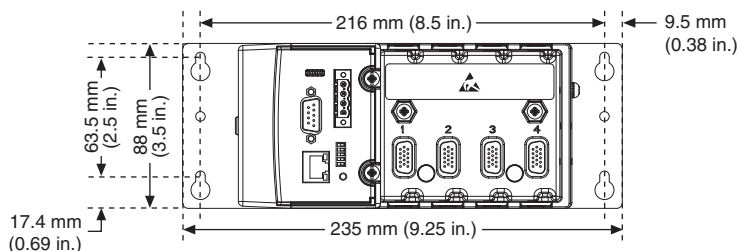


Figure 2. NI 9905 Panel Mounting Plate Dimensions

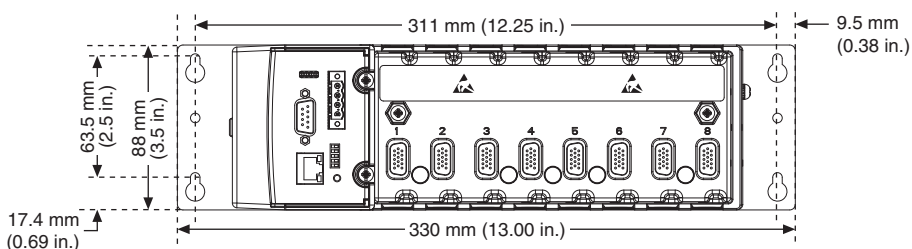
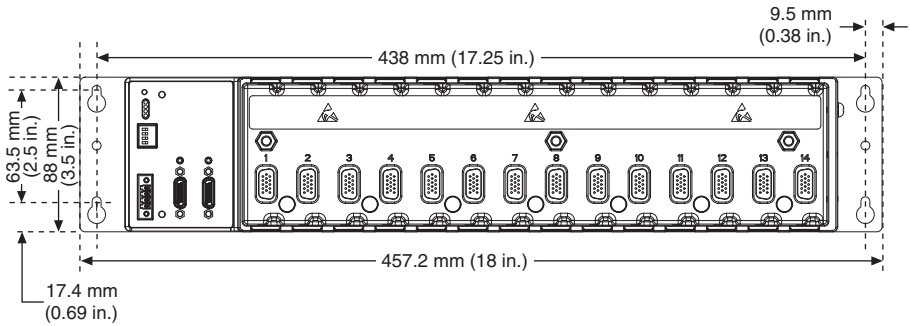


Figure 3. NI 9907 Panel Mounting Plate Dimensions



Installing the NI 9904/9905/9907

You need a #2 Philips screwdriver to install the NI 9904/9905/9907. Complete the following steps to install a chassis onto a panel or wall.

1. Attach the chassis to the panel mounting plate.

(NI 9904) Use two M4x17, M4x22, or M4x25 screws, included in the kit. Refer to the chassis documentation to determine the correct screw size. Refer to Figure 4.

(NI 9905) Depending on your chassis, use either two M4x17 screws, two M4x22 screws, or three M4x23 screws, included in the kit. Refer to the chassis documentation to determine the correct screw quantity and screw size. Refer to Figure 5.

(NI 9907) Use six M4x10 screws included in the kit. You *must* use the screws included in the kit and indicated in the documentation because they are the correct depth and thread for the chassis and the panel mounting plate. Tighten the screws to a maximum torque of 1.3 N · m (11.5 lb · in.). Refer to Figure 6.

Figure 4. Attaching 4-Slot Chassis to the NI 9904 Panel Mounting Plate

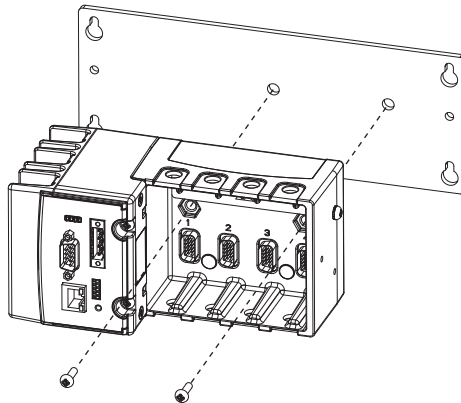


Figure 5. Attaching 8-Slot Chassis to the NI 9905 Panel Mounting Plate with Two Screws or Three Screws

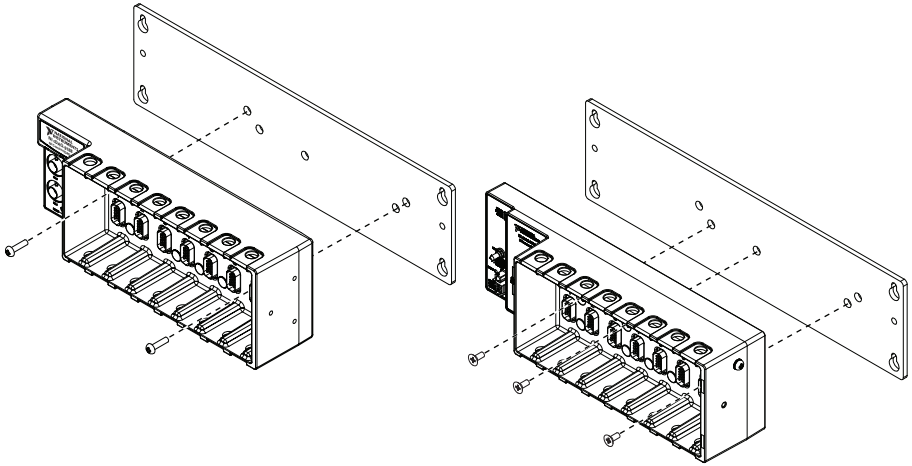
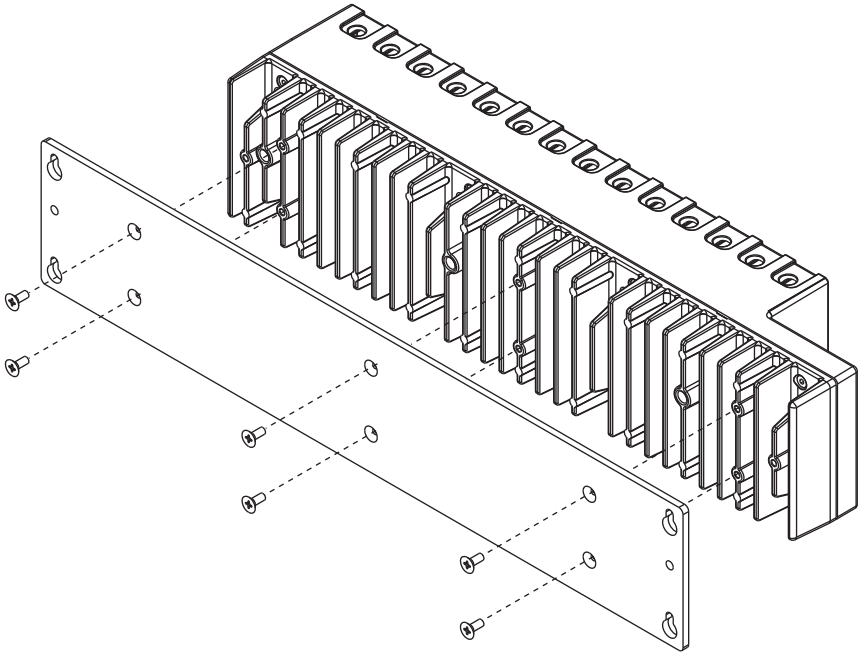


Figure 6. Attaching the NI 9907 Panel Mounting Plate to 14-Slot Chassis



2. Attach the panel mounting plate to the panel or wall using screws that are appropriate for the surface, as shown in Figure 7. Screws for mounting to the panel or wall are not included in the kit.

Optionally, you can use two additional screws to attach the panel mounting plate to the panel or wall permanently, preventing the chassis from being removed, as shown in Figure 8. Screws for permanently mounting to the panel or wall are not included in the kit.

Figure 7. Attaching the Panel Mounting Plate to the Panel or Wall (NI 9904 Shown)

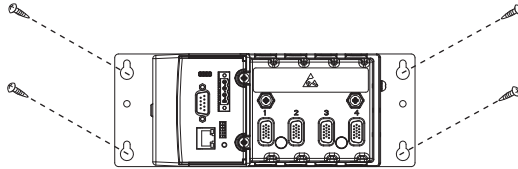
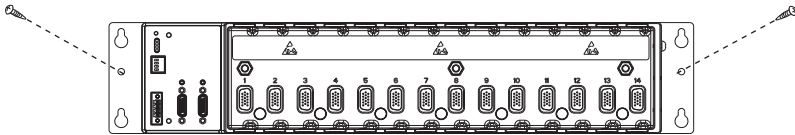


Figure 8. Permanently Attaching the Panel Mounting Plate to the Panel or Wall (NI 9907 Shown)



Worldwide Support and Services

NI corporate headquarters is located at 11500 North Mopac Expressway, Austin, Texas, 78759-3504. NI also has offices located around the world. For telephone support in the United States, create your service request at ni.com/support or dial 1 866 ASK MYNI (275 6964). For telephone support outside the United States, visit the Worldwide Offices section of ni.com/niglobal to access the branch office websites, which provide up-to-date contact information, support phone numbers, email addresses, and current events.

Refer to the *NI Trademarks and Logo Guidelines* at ni.com/trademarks for more information on NI trademarks. Other product and company names mentioned herein are trademarks or trade names of their respective companies. For patents covering NI products/technology, refer to the appropriate location: **Help»Patents** in your software, the `patents.txt` file on your media, or the *National Instruments Patents Notice* at ni.com/patents. You can find information about end-user license agreements (EULAs) and third-party legal notices in the `readme` file for your NI product. Refer to the *Export Compliance Information* at ni.com/legal/export-compliance for the NI global trade compliance policy and how to obtain relevant HTS codes, ECCNs, and other import/export data. NI MAKES NO EXPRESS OR IMPLIED WARRANTIES AS TO THE ACCURACY OF THE INFORMATION CONTAINED HEREIN AND SHALL NOT BE LIABLE FOR ANY ERRORS. U.S. Government Customers: The data contained in this manual was developed at private expense and is subject to the applicable limited rights and restricted data rights as set forth in FAR 52.227-14, DFAR 252.227-7014, and DFAR 252.227-7015.

© 2005–2017 National Instruments. All rights reserved.