

COMPREHENSIVE SERVICES

We offer competitive repair and calibration services, as well as easily accessible documentation and free downloadable resources.

SELL YOUR SURPLUS

We buy new, used, decommissioned, and surplus parts from every NI series. We work out the best solution to suit your individual needs.

 Sell For Cash  Get Credit  Receive a Trade-In Deal

OBSOLETE NI HARDWARE IN STOCK & READY TO SHIP

We stock **New**, **New Surplus**, **Refurbished**, and **Reconditioned** NI Hardware.



Bridging the gap between the manufacturer and your legacy test system.

 1-800-915-6216

 www.apexwaves.com

 sales@apexwaves.com

All trademarks, brands, and brand names are the property of their respective owners.

Request a Quote

 **CLICK HERE**


cFP-2010

cFP-20xx Quick Start Guide

- What You Need to Get Set Up**
- cFP-20xx LabVIEW RT controller
 - Mounting hardware (DIN rail, panel-mount, or rack-mount accessory)
 - I/O module(s)
 - cFP-BP-x backplane, connector blocks, cables
 - 11–30 VDC power supply
 - Accessories: Ethernet cable, number 2 Phillips screwdriver
 - PC running Windows
 - FieldPoint software 3.0.2 or later
 - LabVIEW RT

1 Mount the Compact FieldPoint Backplane

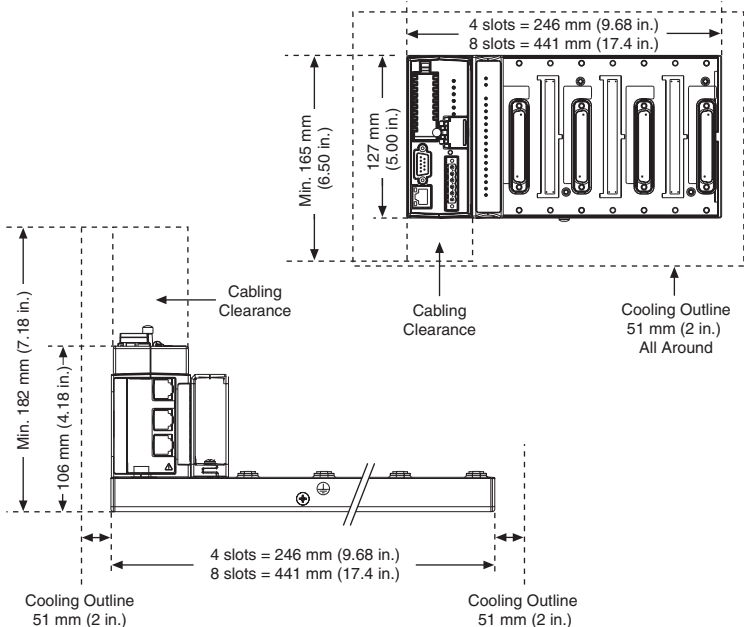
You can mount the cFP-BP-x backplane on a 35 mm DIN rail, on a panel, or in a standard 19 in. rack. Before using any of these mounting methods, record the serial number from the back of the backplane.

Each set of mounting instructions in this document includes an instruction to connect the protective earth (PE) ground terminal on the cFP-BP-x backplane to the system safety ground. The backplane PE ground terminal has the following symbol stamped beside it: . Connect the backplane PE ground terminal to the system safety ground using 14 AWG (1.6 mm) wire with a ring lug. Use the 5/16 in. panhead screw shipped with the backplane to secure the ring lug to the backplane PE ground terminal.



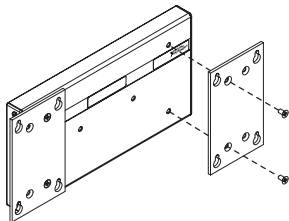
CAUTION Keep in mind these requirements for space and cabling clearance:

- Allow at least 51 mm (2 in.) all around the backplane for air circulation.
- Allow 38 mm (1.5 in.) below and 51 mm (2 in.) above the controller for cabling clearance.

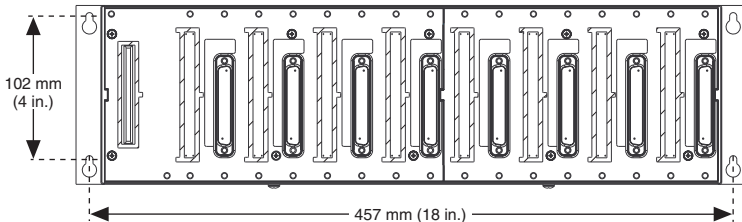


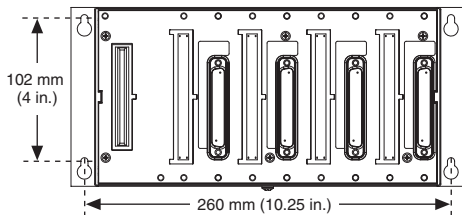
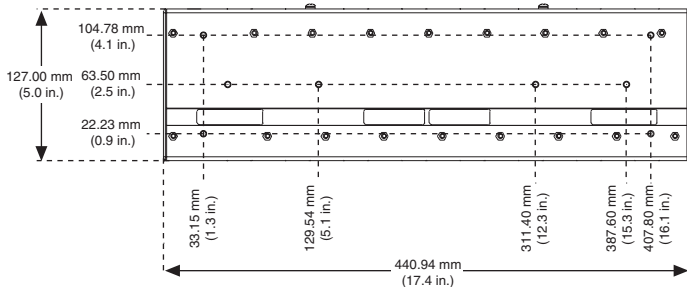
Mounting the Backplane on a Panel

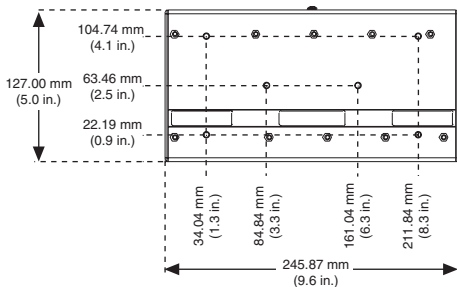
- A. Fasten the panel-mount plates to the back of the cFP-BP-x using a number 2 Phillips screwdriver and the 8-32 \times 5/16 in. countersink screws shipped with the kit.



CAUTION Do not use screws longer than 5/16 in. to fasten the panel-mount plates to the backplane.







B. Bolt or screw the panel-mount accessory to a panel.

C. Connect the PE ground terminal on the cFP-BP-x to safety ground.

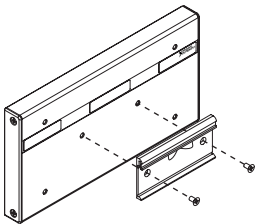


CAUTION Disconnect power before removing the backplane from the panel.

Mounting the Backplane on a DIN Rail

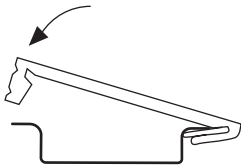
NI recommends DIN rail mounting for the cFP-BP-4 only. Use panel mounting or rack mounting for the cFP-BP-8. The DIN rail mounting kit is NI part number 778614-01

A. Fasten the DIN rail clip to the cFP-BP-4 using a number 2 Phillips screwdriver and the 8-32 × 5/16 in. countersink screws shipped with the clip.



CAUTION Do not use screws longer than 5/16 in. to fasten the DIN rail clip to the backplane.

- B. Insert one edge of the DIN rail into the deeper opening of the DIN rail clip.
- C. Press down firmly on the backplane to compress the spring until the clip locks in place on the DIN rail.



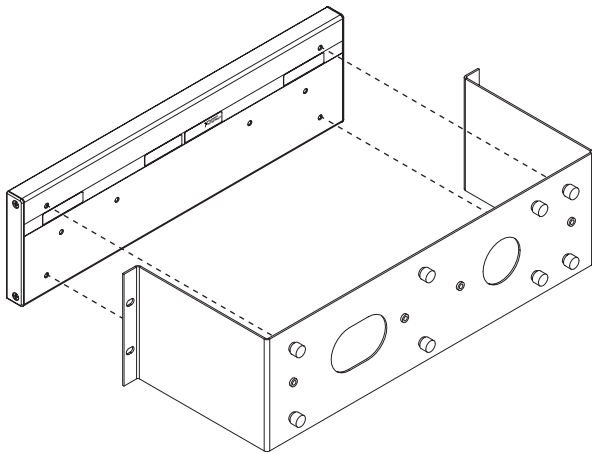
- D. Connect the PE ground terminal on the cFP-BP-4 to safety ground.



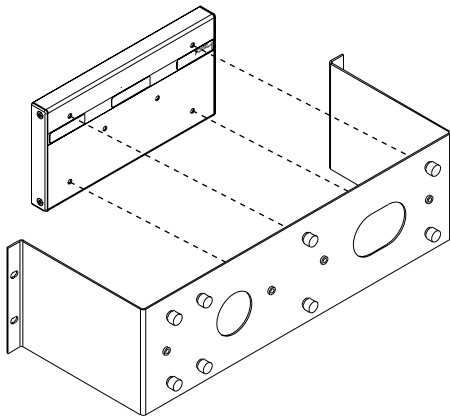
CAUTION Disconnect power before removing the backplane from the DIN rail.

Mounting the Backplane in a Standard 19-in. Rack

- A. Fasten the rack-mount bracket to the back of the cFP-BP-x using the captive screws on the bracket.



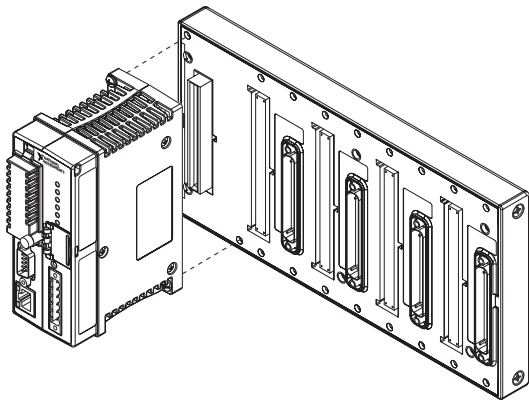
- B. Bolt the rack-mount accessory to a standard 19-in. rack.
- C. Connect the PE ground terminal on the cFP-BP-x to safety ground.



CAUTION Disconnect power before removing the backplane from the bracket.

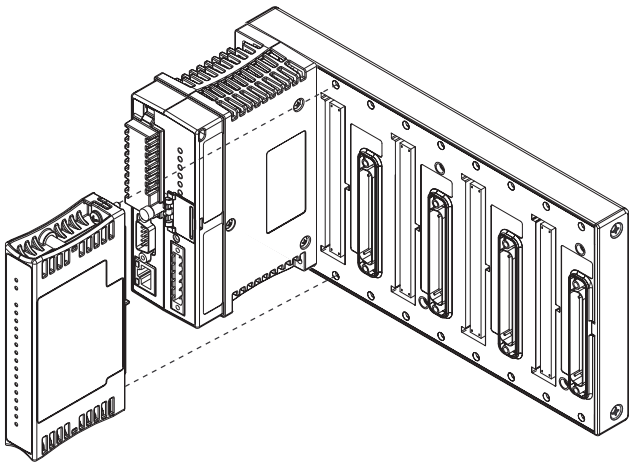
2**Install the cFP-20xx Controller on the Backplane**

- A. Make sure that no power is connected to the controller.
- B. Make sure that the cFP-20xx controller is right side up with the NI logo at the top, and align the captive screws on the controller with the holes on the backplane.
- C. Seat the card edge at the back of the controller in the card-edge connector on the backplane.
- D. Press the controller firmly to seat it on the backplane.
- E. Using a number 2 Phillips screwdriver with a shank of at least 64 mm (2.5 in.) length, tighten the captive screws to 1.1 N · m (10 lb · in.) of torque.



3 Install I/O Modules on the Backplane

- A. Align the captive screws on the I/O module with the holes on the backplane.
- B. Press firmly to seat the I/O module on the backplane.
- C. Using a number 2 Phillips screwdriver with a shank of at least 64 mm (2.5 in.) length, tighten the captive screws to 1.1 N · m (10 lb · in.) of torque.
- D. Repeat this procedure to install additional I/O modules on the backplane.



4

Install Connector Blocks on the Backplane

In order to connect I/O modules to input signals or to external loads, you need to install a cFP-CB-x connector block or other connectivity accessory for each I/O module on the backplane. Use the connector socket to the right of each I/O module socket.



CAUTION Do not insert or remove connector blocks or other connectivity accessories while power is applied to them.

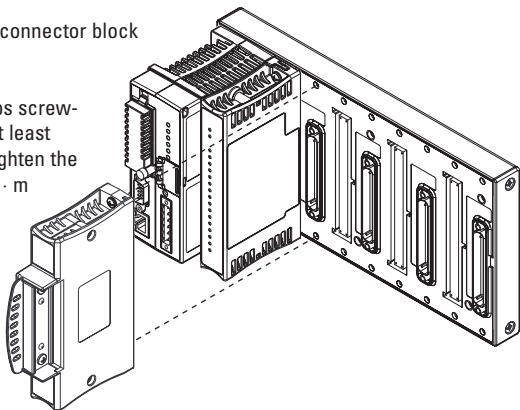
- A. Wire field devices as described in the I/O module and connector block operating instructions.



CAUTION Hazardous voltage wiring should be performed by qualified personnel and in accordance with local electrical standards.

- B. Align the captive screws on the connector block with the holes on the backplane.
- C. Press firmly to seat the connector block on the backplane.
- D. Using a number 2 Phillips screwdriver with a shank of at least 64 mm (2.5 in.) length, tighten the captive screws to 1.1 N · m (10 lb · in.) of torque.

- E. Repeat this procedure to install additional connector blocks on the backplane.



5**Connect the cFP-20xx to Your Network**

Connect the cFP-20xx controller to an Ethernet network using the RJ-45 Ethernet port on the controller. Use a standard Category 5 Ethernet cable to connect the cFP-20xx to an Ethernet hub, or use an Ethernet crossover cable to connect the controller directly to a computer.



CAUTION To prevent data loss and to maintain the integrity of your Ethernet installation, do not use a cable longer than 100 m. If you are using a 100 Mbps Ethernet, National Instruments recommends using a Category 5 shielded twisted-pair Ethernet cable.

If the host PC is already configured on a network, you must configure the cFP-20xx on the same network. If neither is connected to a network, you can connect the two directly using a crossover cable.

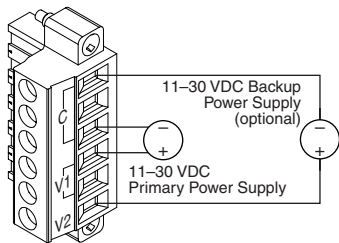
In order for you to configure the cFP-20xx, it must reside on the same subnet as the host PC.

6

Wire Power to the Compact FieldPoint System

Each cFP-20xx on your network requires an 11–30 VDC power supply.

- A. Connect the positive lead of the primary power supply to one of the V1 terminals and the negative lead to one of the C terminals.
- B. If you are using a backup power supply, connect the positive lead to V2 and the negative lead to one of the C terminals. The cFP-20xx uses the power supply with the higher voltage level. V2 is isolated from the other V terminals.



- C. Refer to the operating instructions for the power requirements of each I/O module.
- D. Use a separate power supply for each module that needs external power.



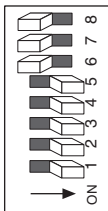
CAUTION Cascading power defeats isolation between the cascaded modules.

7 Powering Up the cFP-20xx

Check the DIP switches on the controller, making sure that the RESET IP switch is not enabled. Plug in each power supply to the Compact FieldPoint system. The cFP-20xx runs a power-on self test (POST) that takes several seconds. You should see the POWER and STATUS LEDs come on. After about five seconds, the STATUS LED begins flashing steadily. The cFP-20xx is ready to be configured.

If you have already assigned an IP address to the cFP-20xx, the STATUS LED turns off, and the A, B, C, and D LEDs come on for about 15 seconds as LabVIEW RT starts up. Once they turn off, the I/O module READY LEDs come on, and the cFP-20xx is ready for use. The total boot time for a configured system is 30–45 seconds.

If the STATUS LED does not light up as described here, refer to the *cFP-20xx and cFP-BP-x User Manual*.



DIP Switches Functions

- 1, 2 User-configurable on cFP-2000 and cFP-2010; disabled on cFP-2020
- 3, 4, 5 User-configurable
- 6 DISABLE VI
- 7 SAFE MODE
- 8 RESET IP

8 Install Software on the Host PC

- A. Install the software packages you plan to use, such as LabVIEW, LabVIEW RT, Measurement Studio, VI Logger, or LabWindows™/CVI™, before you install the FieldPoint software. The FieldPoint software installation installs the LabVIEW VIs and examples and the LabWindows/CVI instrument driver only if it finds the corresponding development software installed.
- B. Close all other applications.
- C. Insert the National Instruments FieldPoint Software CD into the CD-ROM drive on your computer.
- D. Follow the onscreen instructions to complete the installation.



NOTE If the setup does not launch automatically, select **Start»Run** from Windows, enter `d:\setup`, where `d` is the letter of your CD-ROM drive, and select **OK**.

9 Configure the cFP-20xx

Launch Measurement & Automation Explorer (MAX) to configure the cFP-20xx. For information about configuring the cFP-20xx in software, refer to the *Measurement & Automation Explorer Help for FieldPoint* (**Start»Programs»National Instruments»FieldPoint»FieldPoint Help**).

Specifications

Network

Network interface	10BaseT and 100BaseTX Ethernet
Compatibility	IEEE802.3
Communication rates	10 Mbps, 100 Mbps, auto-negotiated
Maximum cabling distance	100 m/segment
Maximum power to connected I/O modules	9 W
Maximum number of banks	Determined by network topology

Memory

cFP-2000	16 MB nonvolatile; 16 MB DRAM
cFP-2010	32 MB nonvolatile; 32 MB DRAM
cFP-2020	32 MB nonvolatile; 32 MB DRAM

For information about the memory used by the LabVIEW RT module and the operating system, go to ni.com/info and enter `rdfpec`.

RS-485 Isolation Voltage

Maximum isolation voltage	100 V _{rms}
Transient overvoltage	740 V _{rms}

Power Requirement

Power supply range	11 to 30 VDC
Recommended power supply	
cFP-BP-4 system	15 W
cFP-BP-8 system	20 W

Power consumption

cFP-2000	4.8 W + 1.1(I/O module power requirements)
cFP-2010	5.0 W + 1.1(I/O module power requirements)
cFP-2020	6.1 W + 1.1(I/O module power requirements)

Physical Characteristics

Screw-terminal wiring	16–26 AWG copper conductor wire with 7 mm (0.28 in.) of insulation stripped from the end
Torque for screw terminals	0.5–0.6 N · m (4.4–5.3 lb · in.)
Weight of cFP-20xx	278 g (9.8 oz)

Environmental

FieldPoint modules are intended for indoor use only. For outdoor use, they must be installed in a suitable sealed enclosure.

Operating temperature	–25 to 60 °C
Storage temperature	–55 to 85 °C
Humidity	10 to 90% RH, noncondensing
Maximum altitude	2,000 m; at higher altitudes the isolation voltage ratings must be lowered
Pollution Degree	2

Shock and Vibration

Operating vibration

Random (IEC 60068-2-64)	10–500 Hz, 5 g _{rms}
Sinusoidal (IEC 60068-2-6)	10–500 Hz, 5 g

Operating shock

(IEC 60068-2-27)	50 g, 3 ms half sine, 18 shocks at 6 orientations; 30 g, 11 ms half sine, 18 shocks at 6 orientations
------------------------	--

Safety

This product is designed to meet the requirements of the following standards of safety for electrical equipment for measurement, control, and laboratory use:

- IEC 61010-1, EN 61010-1
- UL 3121-1, UL 61010C-1
- CAN/CSA C22.2 No. 1010.1

For UL, hazardous location, and other safety certifications, refer to the product label or to ni.com.

Electromagnetic Compatibility

CE, C-Tick, and FCC Part 15 (Class A) Compliant

Emissions EN 55011 Class A at 10 m FCC Part 15A
above 1 GHz

Immunity EN 61326:1997 + A2:2002, Table 1

For EMC compliance, operate this device with shielded cabling.

CE Compliance

This product meets the essential requirements of applicable European Directives, as amended for CE Marking, as follows:

Low-Voltage Directive (safety). . . . 73/23/EEC

Electromagnetic

Compatibility Directive (EMC). 89/336/EEC

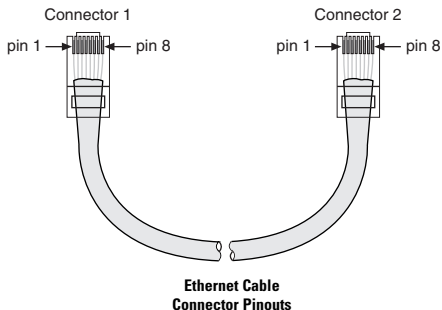


NOTE Refer to the Declaration of Conformity (DoC) for this product for additional regulatory compliance information. To obtain the DoC for this product, click **Declarations of Conformity Information** at ni.com/hardref.nsf/.

Cabling

The table below shows the standard Ethernet cable wiring connections for both normal and crossover cables.

Pin	Connector 1	Connector 2 (Normal)	Connector 2 (Crossover)
1	white/orange	white/orange	white/green
2	orange	orange	green
3	white/green	white/green	white/orange
4	blue	blue	blue
5	white/blue	white/blue	white/blue
6	green	green	orange
7	white/brown	white/brown	white/brown
8	brown	brown	brown





ni.com

Go to ni.com/support for the most current manuals, examples, and troubleshooting information. For telephone support in the United States, create your service request at ni.com/ask and follow the calling instructions or dial 512 795 8248. For telephone support outside the United States, contact your local branch office:

Australia 02 612 9672 8846, Austria 43 0 662 45 79 90 0, Belgium 32 0 2 757 00 20, Brazil 55 11 3262 3599, Canada (Calgary) 403 274 9391, Canada (Montreal) 514 288 5722, Canada (Ottawa) 613 233 5949, Canada (Québec) 514 694 8521, Canada (Toronto) 905 785 0085, Canada (Vancouver) 514 685 7530, China 86 21 6555 7838, Czech Republic 420 2 2423 5774, Denmark 45 45 76 26 00, Finland 385 0 9 725 725 11, France 33 0 1 48 14 24 24, Germany 49 0 89 741 31 30, Greece 30 2 10 42 96 427, Hong Kong 2645 3186, India 91 80 51190000, Israel 972 0 3 6393737, Italy 39 02 413091, Japan 81 3 5472 2970, Korea 82 02 3451 3400, Malaysia 603 9131 0918, Mexico 001 800 010 0793, Netherlands 31 0 348 433 466, New Zealand 64 09 914 0488, Norway 47 0 32 27 73 00, Poland 48 0 22 3390 150, Portugal 351 210 311 210, Russia 7 095 238 7139, Singapore 65 6226 5886, Slovenia 386 3 425 4200, South Africa 27 0 11 805 8197, Spain 34 91 640 0085, Sweden 46 0 8 587 895 00, Switzerland 41 56 200 51 51, Taiwan 886 2 2528 7227, United Kingdom 44 0 1635 523545

CVI™, FieldPoint™, LabVIEW™, Measurement Studio™, National Instruments™, NI™, and ni.com™ are trademarks of National Instruments Corporation. Product and company names mentioned herein are trademarks or trade names of their respective companies.

For patents covering National Instruments products, refer to the appropriate location: **Help»Patents** in your software, the `patents.txt` file on your CD, or ni.com/patents.

© 2002–2003 National Instruments Corporation. All rights reserved.

373334C-01

Apr03