

COMPREHENSIVE SERVICES

We offer competitive repair and calibration services, as well as easily accessible documentation and free downloadable resources.

SELL YOUR SURPLUS

We buy new, used, decommissioned, and surplus parts from every NI series. We work out the best solution to suit your individual needs.

 Sell For Cash  Get Credit  Receive a Trade-In Deal

OBSOLETE NI HARDWARE IN STOCK & READY TO SHIP

We stock **New, New Surplus, Refurbished, and Reconditioned** NI Hardware.



Bridging the gap between the manufacturer and your legacy test system.

 1-800-915-6216

 www.apexwaves.com

 sales@apexwaves.com

All trademarks, brands, and brand names are the property of their respective owners.

Request a Quote

 **CLICK HERE**

cRIO-9023

Quick Start Guide

NI 9908 and NI 9909

Mounting Accessories for Stand-Alone cRIO-902x

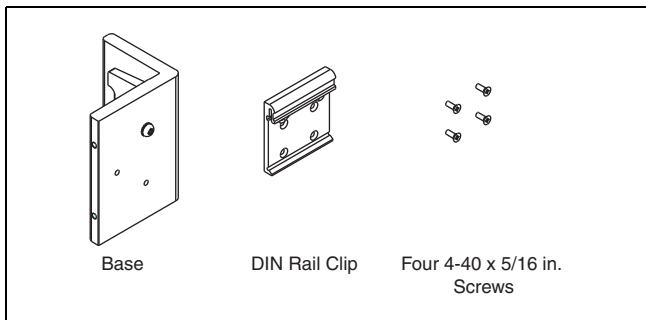
This document describes the installation process for the NI 9908 and NI 9909. The NI 9908 and NI 9909 are accessory kits for mounting a stand-alone cRIO-902x controller on a DIN rail or panel, respectively.

What You Need to Get Started

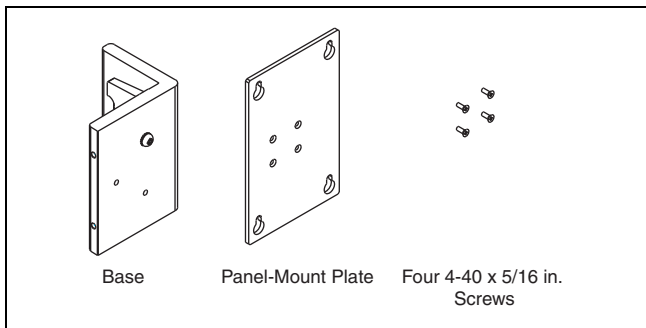
- cRIO-902x controller
- Number 2 Phillips screwdriver
- NI 9908 or NI 9909 mounting accessory kit
- NI 9901 desktop mounting kit (optional)



The following figure shows the hardware contents of the NI 9908 kit:



The following figure shows the hardware contents of the NI 9909 kit:





Caution If you substitute other screws for the screws shipped with the NI 9908 or NI 9909 kit, do not use screws longer than 5/16 in. to fasten the DIN rail clip or panel-mount plate to the base.



Caution Make sure that power is disconnected from the controller before you mount it on the base.



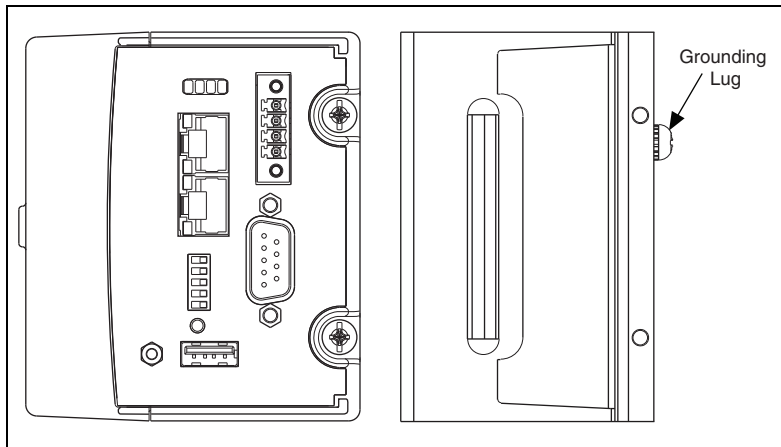
Caution You must connect the grounding lug on the base to safety ground before using the controller.



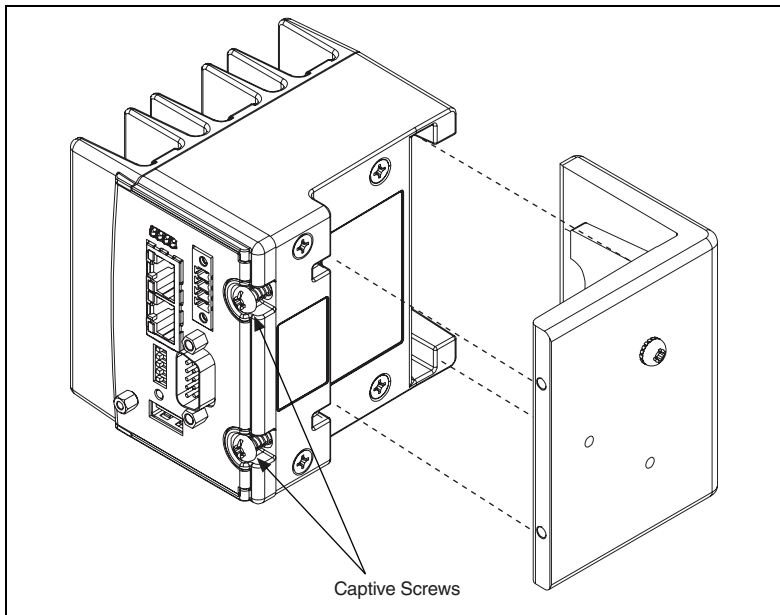
Caution You must allow 25.4 mm (1 in.) of space above and below the controller for air circulation.

Mounting the Controller on the Base

The following figure shows the proper orientation of the stand-alone base in relation to the controller.



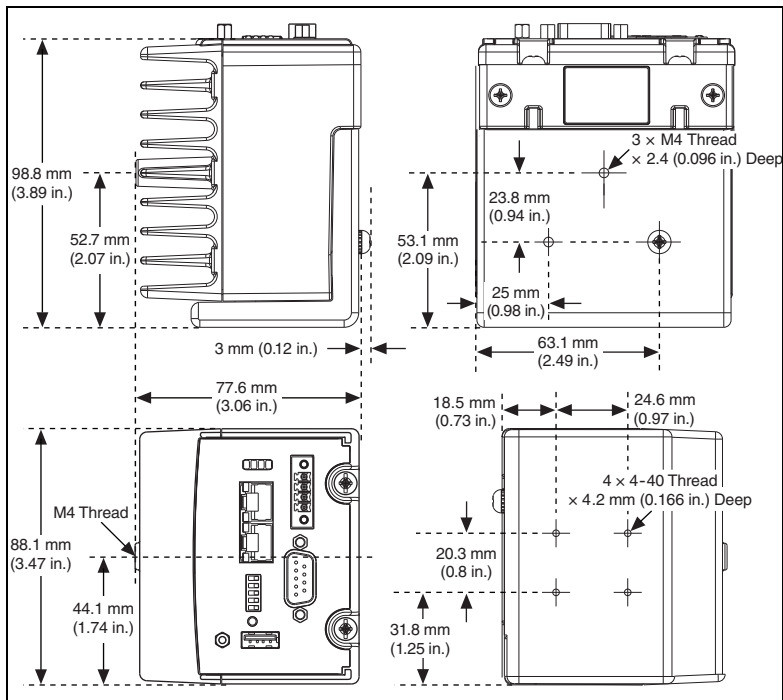
1. Align the tongue on the base with the groove on the bottom of the controller, as shown in the following figure.



2. Slide the base onto the controller.
3. Using a number 2 Phillips screwdriver, tighten the captive screws to $1.3 \text{ N} \cdot \text{m}$ ($11.5 \text{ lb} \cdot \text{in.}$) of torque.

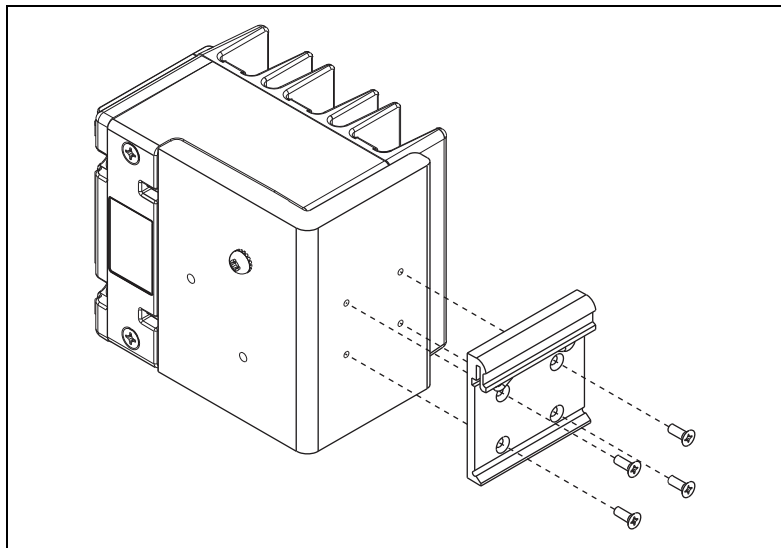


Note The base adds 9.0 mm (0.354 in.) to the depth of the controller.

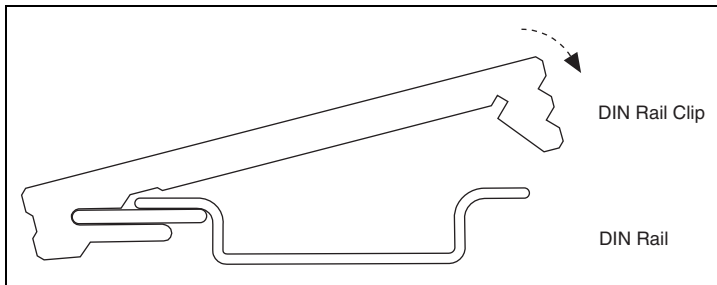


Mounting the Controller on a DIN Rail with the NI 9908

1. Fasten the DIN rail clip to the back of the base using a number 2 Phillips screwdriver and the four 4-40 × 5/16 in. countersunk screws shipped with the kit. Tighten the screws to 0.4 N · m (3.6 lb · in.) of torque.

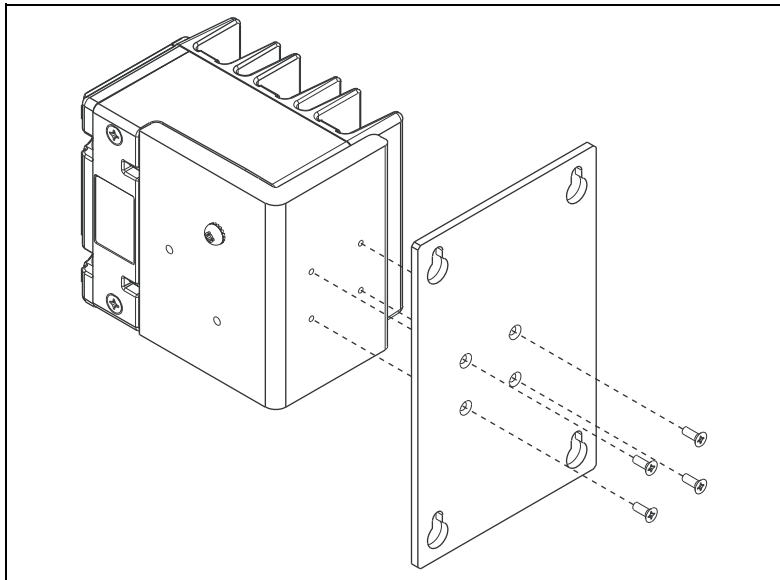


2. Insert one edge of a DIN rail into the deeper opening of the DIN rail clip.
3. Press down firmly on the controller to compress the spring until the clip locks in place on the DIN rail.

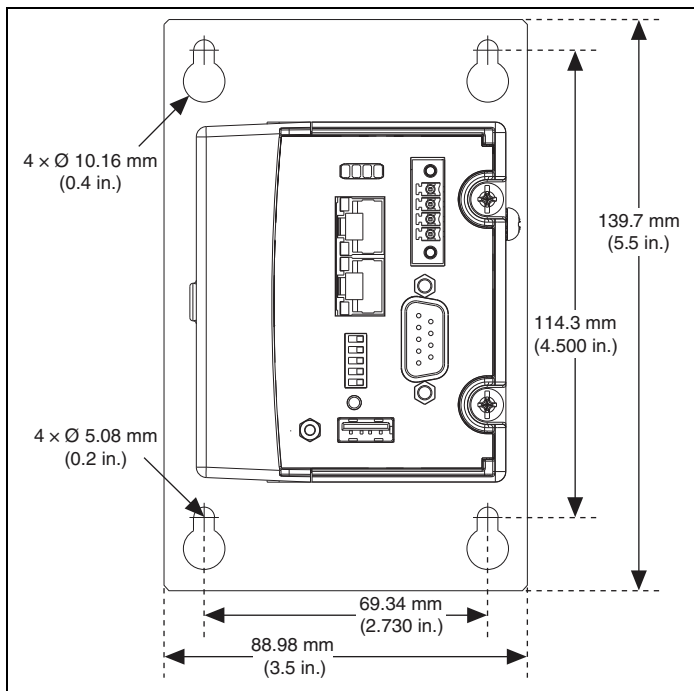


Mounting the Controller on a Panel with the NI 9909

1. Fasten the panel-mount plate to the back of the base using a number 2 Phillips screwdriver and the four 4-40 × 5/16 in. countersunk screws shipped with the kit. Tighten the screws to 0.4 N · m (3.6 lb · in.) of torque. The plate adds 3.18 mm (0.125 in.) to the depth of the controller and base.



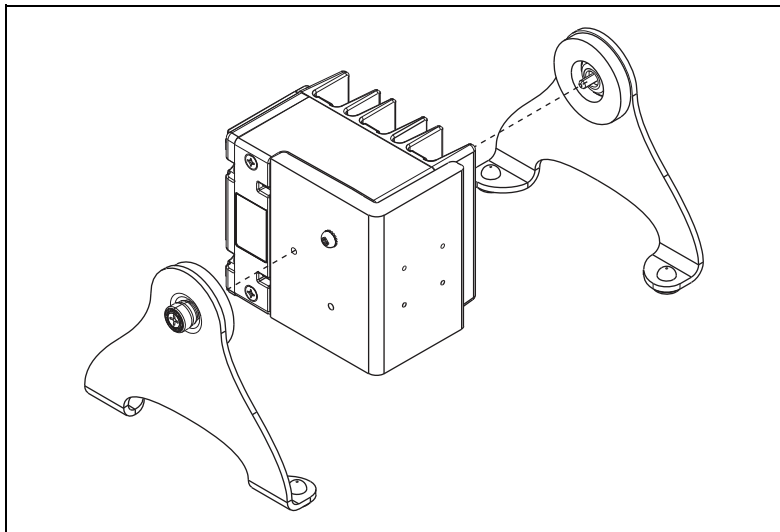
2. Bolt or screw the panel-mount plate to a panel. The following figure shows the dimensions of the controller with the panel-mount plate attached.



Mounting the Controller on a Desk or Table

For desk or table mounting, you need the NI 9901 desktop mounting kit. The NI 9901 includes two legs that attach to the base of the NI 9908 or NI 9909.

Using a number 2 Phillips screwdriver, tighten the captive screws on the two legs into the M4 thread holes in the base. Tighten the captive screws to 1.3 N · m (11.5 lb · in.) of torque.



Where to Go for Support

The National Instruments Web site is your complete resource for technical support. At ni.com/support you have access to everything from troubleshooting and application development self-help resources to email and phone assistance from NI Application Engineers.

National Instruments corporate headquarters is located at 11500 North Mopac Expressway, Austin, Texas, 78759-3504. National Instruments also has offices located around the world to help address your support needs. For telephone support in the United States, create your service request at ni.com/support and follow the calling instructions or dial 512 795 8248. For telephone support outside the United States, contact your local branch office:

Australia 1800 300 800, Austria 43 662 457990-0, Belgium 32 (0) 2 757 0020,
Brazil 55 11 3262 3599, Canada 800 433 3488, China 86 21 5050 9800,
Czech Republic 420 224 235 774, Denmark 45 45 76 26 00,
France 358 (0) 9 725 72511, Finland 01 57 66 24 24, Germany 49 89 7413130,
India 91 80 41190000, Israel 972 3 6393737, Italy 39 02 41309277, Japan 0120-527196,
Korea 82 02 3451 3400, Lebanon 961 (0) 1 33 28 28, Malaysia 1800 887710,
Mexico 01 800 010 0793, Netherlands 31 (0) 348 433 466, New Zealand 0800 553 322,
Norway 47 (0) 66 90 76 60, Poland 48 22 328 90 10, Portugal 351 210 311 210,
Russia 7 495 783 6851, Singapore 1800 226 5886, Slovenia 386 3 425 42 00,
South Africa 27 0 11 805 8197, Spain 34 91 640 0085, Sweden 46 (0) 8 587 895 00,
Switzerland 41 56 2005151, Taiwan 886 02 2377 2222, Thailand 662 278 6777,
Turkey 90 212 279 3031, United Kingdom 44 (0) 1635 523545

National Instruments, NI, ni.com, and LabVIEW are trademarks of National Instruments Corporation. Refer to the *Terms of Use* section on ni.com/legal for more information about National Instruments trademarks. Other product and company names mentioned herein are trademarks or trade names of their respective companies. For patents covering National Instruments products/technology, refer to the appropriate location: **Help-Patents** in your software, the `patents.txt` file on your media, or the *National Instruments Patent Notice* at ni.com/patents.

© 2008–2009 National Instruments Corporation. All rights reserved.