

## COMPREHENSIVE SERVICES

We offer competitive repair and calibration services, as well as easily accessible documentation and free downloadable resources.

## SELL YOUR SURPLUS

We buy new, used, decommissioned, and surplus parts from every NI series. We work out the best solution to suit your individual needs.

 Sell For Cash    Get Credit    Receive a Trade-In Deal

## OBSOLETE NI HARDWARE IN STOCK & READY TO SHIP

We stock **New**, **New Surplus**, **Refurbished**, and **Reconditioned** NI Hardware.



*Bridging the gap between the manufacturer and your legacy test system.*

 1-800-915-6216

 [www.apexwaves.com](http://www.apexwaves.com)

 [sales@apexwaves.com](mailto:sales@apexwaves.com)

*All trademarks, brands, and brand names are the property of their respective owners.*

**Request a Quote**

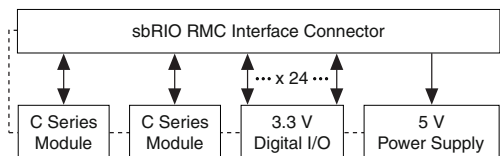
 **CLICK HERE**

**sbRIO-9605**

## NI 9697

### Two-Slot C Series RIO Mezzanine Card

The NI 9697 two-slot C Series RIO Mezzanine Card is an accessory you can use to connect up to two board-only C Series modules to the NI sbRIO-9607/9627.



**Note** NI recommends using the NI 9693 with the NI sbRIO-9605/9606 or the NI sbRIO-9623/9626 as the NI 9697 is not compatible with these products.

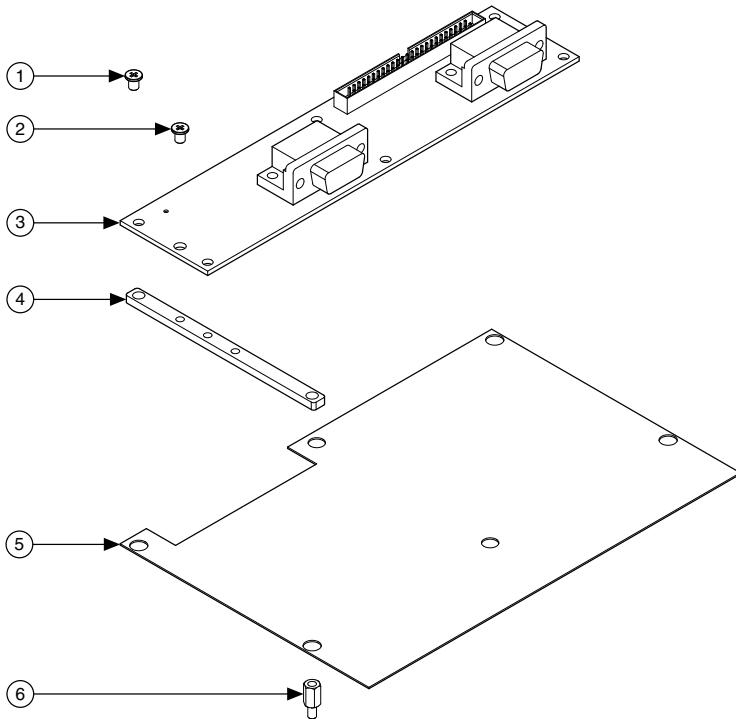


**Note** Board-only C Series modules are represented with an 'E' at the end of the product name. For example, the NI 9219 is the enclosed C Series module and the NI 9219E is the board-only version of the module.

## Kit Contents

The NI 9697 kit contains the following components:

**Figure 1.** Contents of the NI 9697 Kit



- |  |   |
|--|---|
| 1. M3 × 7 mm Silver Low-Profile Screw (x7) | 4. C Series Module Support Bracket (x3) |
| 2. M3 × 4 mm Black Low-Profile Screw (x10) | 5. Isolator Sheet                       |
| 3. NI 9697                                 | 6. M3 × 7 mm Standoff (x6)              |



**Caution** NI makes no electromagnetic compatibility (EMC) or CE marking compliance claims for the NI 9697. The end-product supplier is responsible for conformity to any and all compliance requirements.



**Caution** The NI 9697 must be installed inside a suitable enclosure prior to use. Hazardous voltages may be present.



**Caution** Follow proper ESD precautions to ensure you are grounded before installing hardware.

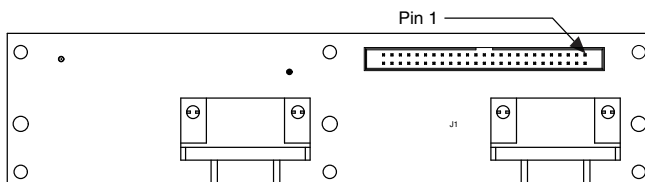


**Caution** The protection provided by the NI 9697 can be impaired if the NI 9697 is used in a manner not described in this document.

## Digital I/O Connector Pinouts

The following figure shows the pinouts of the I/O connector on the NI sbRIO device.

**Figure 2.** Pinout of the DIO Connector



J1, DIO

D GND	1	2	DIO0
D GND	3	4	DIO1
D GND	5	6	DIO2
D GND	7	8	DIO3
D GND	9	10	DIO4
D GND	11	12	DIO5
D GND	13	14	DIO6
D GND	15	16	DIO7
D GND	17	18	DIO8
D GND	19	20	DIO9
D GND	21	22	DIO10
D GND	23	24	DIO11
D GND	25	26	DIO12
D GND	27	28	DIO13
D GND	29	30	DIO14
D GND	31	32	DIO15
D GND	33	34	DIO16
D GND	35	36	DIO17
D GND	37	38	DIO18
D GND	39	40	DIO19
D GND	41	42	DIO20
D GND	43	44	DIO21
D GND	45	46	DIO22
D GND	47	48	DIO23
+5V	49	50	+5V



**Note** The DIO numbering on this connector corresponds to naming of the DIO on the NI sbRIO device. For example, DIO0 on the NI 9697 connector corresponds to DIO0 on the NI sbRIO-9607/9627 RMC connector.

## Installing the NI 9697

What to use:

- Socket driver, 4.5 mm
- Screwdriver, Phillips #1

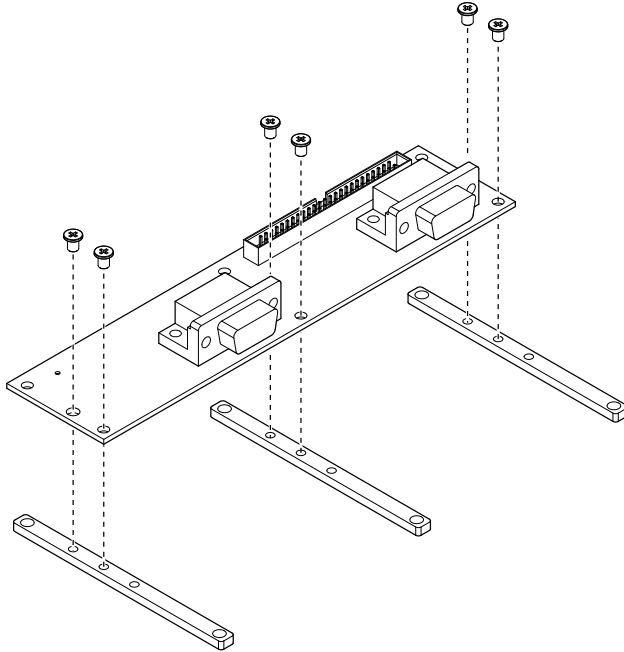
Complete the following steps to install the NI 9697.

1. Attach the three C Series support brackets to the NI 9697 using six of the M3 × 4 mm black, low-profile screws included in the kit.



**Note** Do not tighten the screws until you reach step 8. You may need to adjust the brackets during assembly.

**Figure 3.** Attaching the Support Brackets to the NI 9697

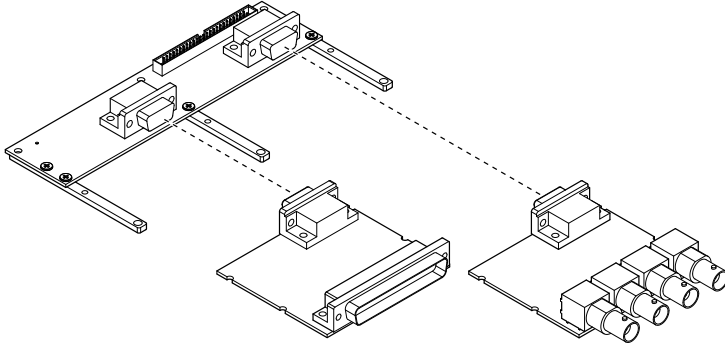


2. Connect board-only C Series modules to the NI 9697.



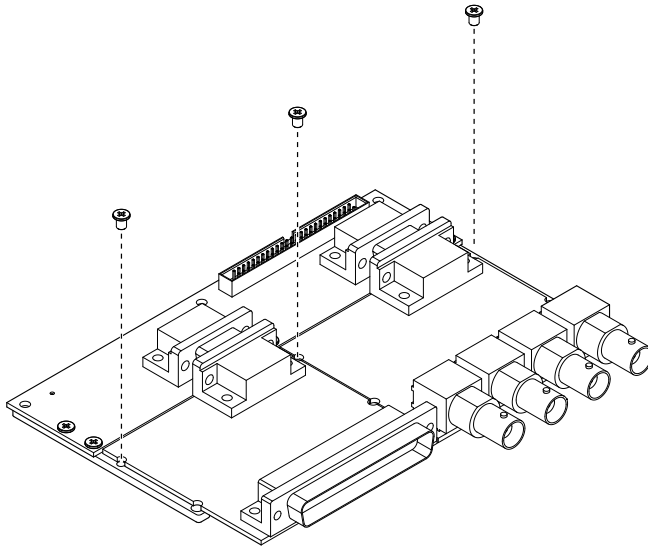
**Caution** To avoid causing damage to the NI 9697 and the C Series modules, do not allow C Series module support brackets to contact components on the secondary side of the board-only C Series modules.

**Figure 4.** Connecting Board-only C Series Modules to the NI 9697



3. Screw three of the remaining M3 × 4 mm black, low-profile screws into the holes.

**Figure 5.** Inserting Three Screws into the Module and Bracket Holes

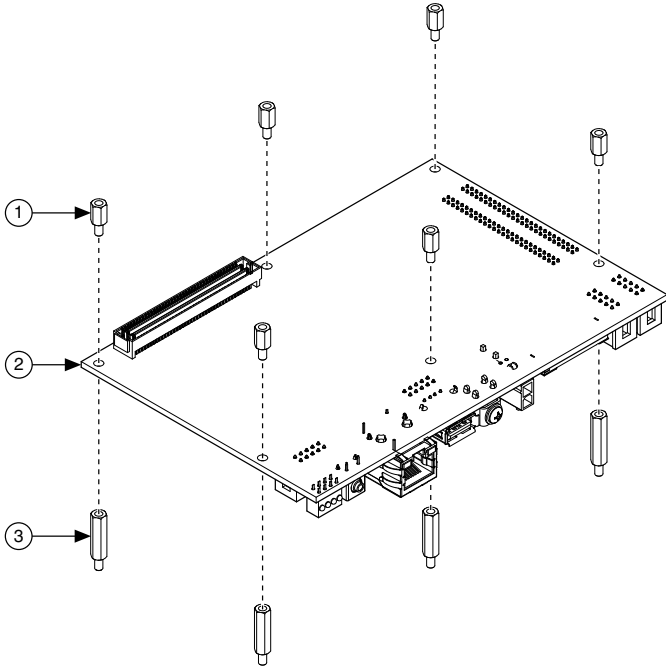


4. Insert the six M3 × 7 mm standoffs from the secondary side of the NI sbRIO device into the six mounting standoffs for your application. The mounting standoffs are not included in the NI 9697 kit.



**Note** You can attach the NI 9697 to an NI sbRIO-9607. You must support the NI 9697 mounting holes that overhang the NI sbRIO device with standoffs that are 9.2 mm (0.36 in.) taller than the mounting standoffs described in step 4.

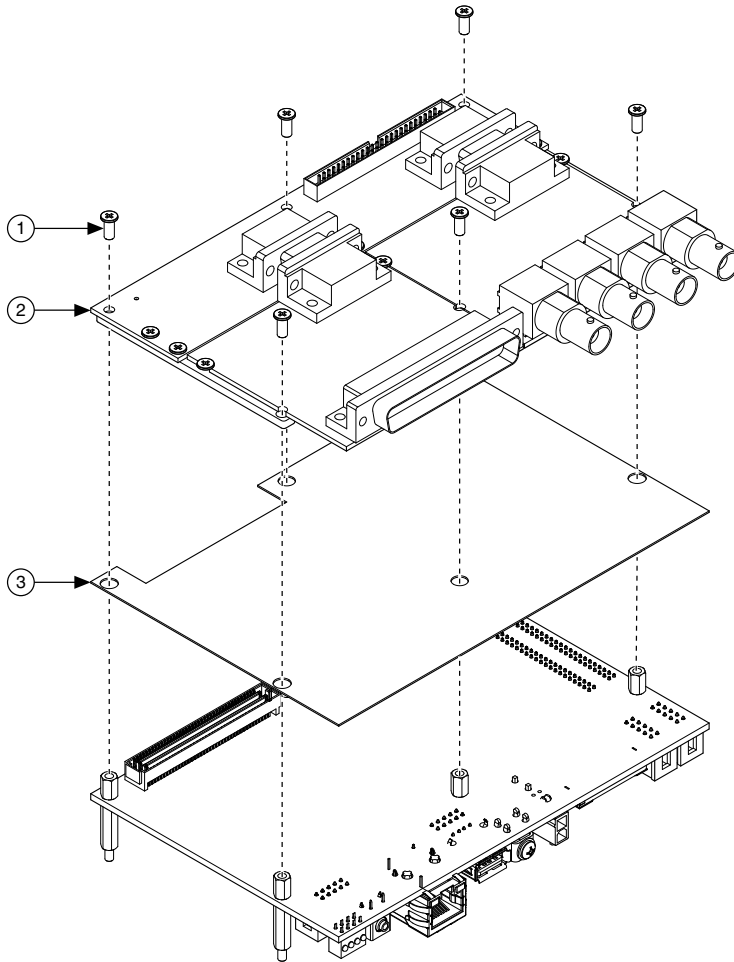
**Figure 6. Inserting the Standoffs into the NI sbRIO Device**



1. M3 × 7 mm Standoff (x6)
2. sbRIO Device
3. Mounting Standoff (x6, Not Provided)

5. Tighten the standoffs to 0.45 N · m (4.0 lb · in.). Do not overtighten.
6. Press the isolator sheet over the standoffs so that 1 mm to 2 mm of standoff protrudes through the holes.
7. Align the bracket holes attached to the NI 9697 with the tops of the M3 × 7 mm standoffs, and insert the six M3 × 7 mm silver low-profile screws.

**Figure 7.** Inserting the Standoffs and Screws into the NI sbRIO Device



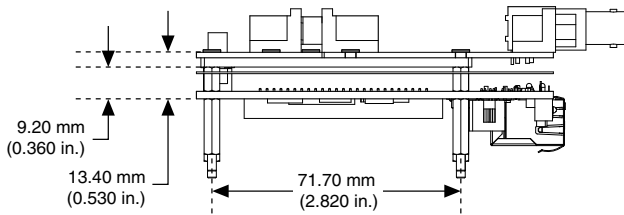
- 
1. M3 × 7 mm Silver Low-Profile Screw (x6)
  2. NI 9697
  3. Isolator
- 

8. Tighten all the screws to 0.45 N · m (4.0 lb · in.). Do not overtighten.

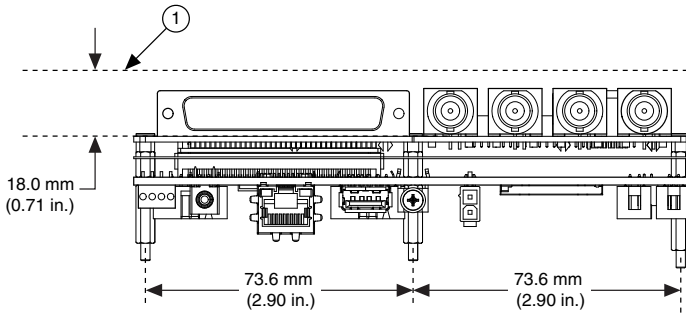
The following figures show the dimensions of the assembled NI 9697 and NI sbRIO device with two board-only C Series modules.



**Figure 8. Side View with Dimensions**



**Figure 9. Rear View with Dimensions**



1. Recommended Keepaway from Modules



**Tip** For two-dimensional drawings and three-dimensional models of the NI 9697, visit [ni.com/dimensions](https://ni.com/dimensions) and search by model number.

## Specifications

Refer to the documentation for the NI sbRIO device and the board-only C Series modules for the specifications of those products.

### 3.3 V Digital I/O on 50-Pin IDC Connector

Number of DIO channels	24
Max tested current per channel	$\pm 3$ mA
Input logic levels	
Input low voltage, $V_{IL}$	0 V min; 0.8 V max
Input high voltage, $V_{IH}$	2.0 V min; 5.25 V max

## Output logic levels

Output high voltage, $V_{OH}$ when sourcing 3 mA	2.4 V min; 3.465 V max
Output low voltage, $V_{OL}$ when sinking 3 mA	0.0 V min; 0.4 V max

## Physical Characteristics

If you need to clean the device, wipe it with a dry towel.

Torque for screws	0.45 N · m (4.0 lb · in)
Weight	82.8 g (2.92 oz)

## Environmental

Operating temperature (IEC 60068-2-1, IEC 60068-2-2)	-40 °C to 85 °C
---	-----------------

Thermal validation of an NI sbRIO system assembled with the NI 9697 requires validating the NI sbRIO device and board-only C Series modules. Measure the operating temperature of board-only C Series modules 7.6 mm (0.3 in.) above the module surface. Refer to the documentation of the NI sbRIO device and board-only C Series modules for operating temperature limits and, if applicable, for typical specifications.

Storage temperature (IEC 60068-2-1, IEC 60068-2-2)	-40 °C to 85 °C
Operating humidity (IEC 60068-2-78)	10% RH to 90% RH, noncondensing
Storage humidity (IEC 60068-2-78)	5% RH to 95% RH, noncondensing
Maximum altitude	5,000 m

Indoor use only.

## Environmental Management

NI is committed to designing and manufacturing products in an environmentally responsible manner. NI recognizes that eliminating certain hazardous substances from our products is beneficial to the environment and to NI customers.

For additional environmental information, refer to the *Minimize Our Environmental Impact* web page at [ni.com/environment](http://ni.com/environment). This page contains the environmental regulations and directives with which NI complies, as well as other environmental information not included in this document.

# Waste Electrical and Electronic Equipment (WEEE)



**EU Customers** At the end of the product life cycle, all NI products must be disposed of according to local laws and regulations. For more information about how to recycle NI products in your region, visit [ni.com/environment/weee](http://ni.com/environment/weee).

## 电子信息产品污染控制管理办法（中国 RoHS）



**中国客户** National Instruments 符合中国电子信息产品中限制使用某些有害物质指令 (RoHS)。关于 National Instruments 中国 RoHS 合规性信息，请登录 [ni.com/environment/rohs\\_china](http://ni.com/environment/rohs_china)。(For information about China RoHS compliance, go to [ni.com/environment/rohs\\_china](http://ni.com/environment/rohs_china).)

## Worldwide Support and Services

---

The National Instruments website is your complete resource for technical support. At [ni.com/support](http://ni.com/support), you have access to everything from troubleshooting and application development self-help resources to email and phone assistance from NI Application Engineers.

Visit [ni.com/services](http://ni.com/services) for NI Factory Installation Services, repairs, extended warranty, and other services.

Visit [ni.com/register](http://ni.com/register) to register your National Instruments product. Product registration facilitates technical support and ensures that you receive important information updates from NI.

National Instruments corporate headquarters is located at 11500 North Mopac Expressway, Austin, Texas, 78759-3504. National Instruments also has offices located around the world. For telephone support in the United States, create your service request at [ni.com/support](http://ni.com/support) or dial 1 866 ASK MYNI (275 6964). For telephone support outside the United States, visit the *Worldwide Offices* section of [ni.com/global](http://ni.com/global) to access the branch office websites, which provide up-to-date contact information, support phone numbers, email addresses, and current events.

Refer to the *NI Trademarks and Logo Guidelines* at [ni.com/trademarks](http://ni.com/trademarks) for information on National Instruments trademarks. Other product and company names mentioned herein are trademarks or trade names of their respective companies. For patents covering National Instruments products/technology, refer to the appropriate location: **Help»Patents** in your software, the `patents.txt` file on your media, or the *National Instruments Patent Notice* at [ni.com/patents](http://ni.com/patents). You can find information about end-user license agreements (EULAs) and third-party legal notices in the `readme` file for your NI product. Refer to the *Export Compliance Information* at [ni.com/legal/export-compliance](http://ni.com/legal/export-compliance) for the National Instruments global trade compliance policy and how to obtain relevant HTS codes, ECCNs, and other import/export data. NI MAKES NO EXPRESS OR IMPLIED WARRANTIES AS TO THE ACCURACY OF THE INFORMATION CONTAINED HEREIN AND SHALL NOT BE LIABLE FOR ANY ERRORS. U.S. Government Customers: The data contained in this manual was developed at private expense and is subject to the applicable limited rights and restricted data rights as set forth in FAR 52.227-14, DFAR 252.227-7014, and DFAR 252.227-7015.

© 2015 National Instruments. All rights reserved.

375276A-01 Aug15