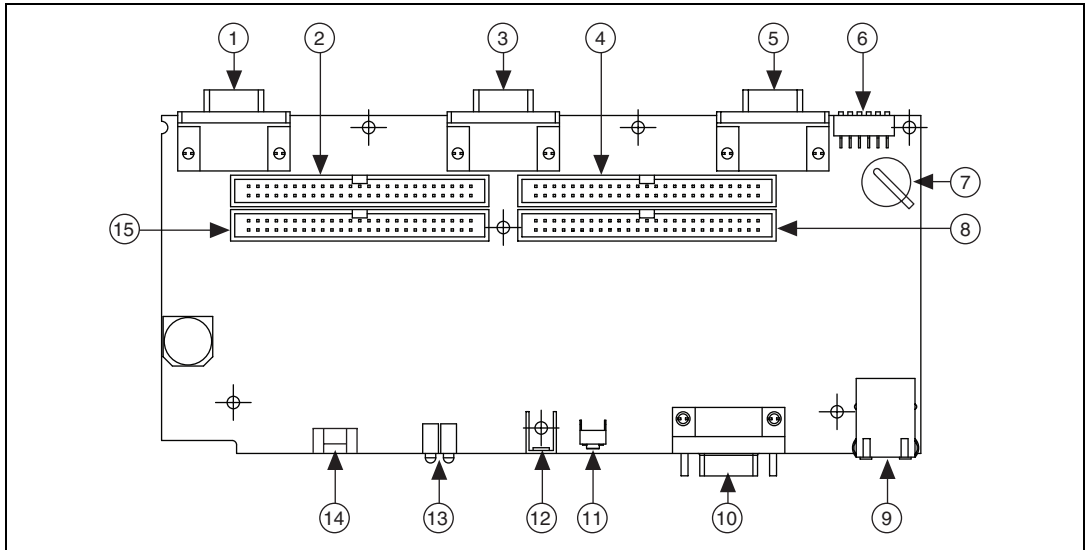


NI SINGLE-BOARD RIO QUICK REFERENCE

sbRIO-960x

Go to ni.com/info and enter the info code `sbriodocs` to locate the user guide for this product.

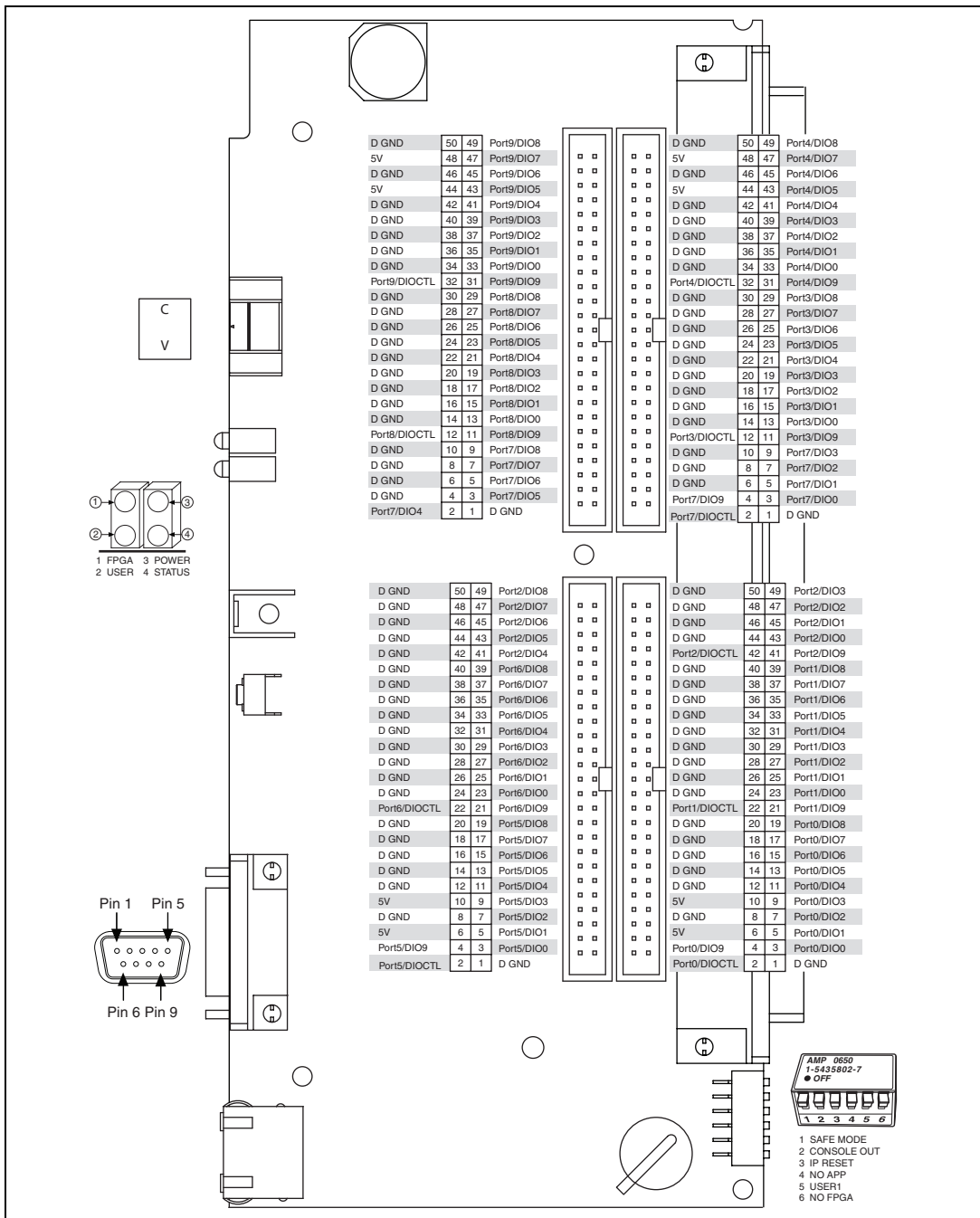


1 J11, Connector for C Series Module	6 DIP Switches	11 Reset Button
2 P5, 3.3 V Digital I/O	7 Backup Battery	12 P1, Ground Lug
3 J10, Connector for C Series Module	8 P2, 3.3 V Digital I/O	13 LEDs
4 P4, 3.3 V Digital I/O	9 J5, RJ-45 Ethernet Port	14 J3, Power Connector
5 J9, Connector for C Series Module	10 J1, RS-232 Serial Port	15 P3, 3.3 V Digital I/O

Enabling Console Out on J1 (Serial Port)

- Turn DIP switch 2 on.
- Connect null-modem cable.
- Configure host settings.
 - 9,600 bps
 - Eight data bits
 - No parity
 - One stop bit
 - No flow control

Status LED	
# of Flashes	Indication
1	IP unconfigured
2	Software installation error
3	Safe mode on
4	Check RT VI
Solid or continuously flashing	Check network and DHCP or contact NI



National Instruments, NI, ni.com, and LabVIEW are trademarks of National Instruments Corporation. Refer to the *Terms of Use* section on ni.com/legal for more information about National Instruments trademarks. Other product and company names mentioned herein are trademarks or trade names of their respective companies. For patents covering National Instruments products, refer to the appropriate location: **Help>Patents** in your software, the `patents.txt` file on your media, or ni.com/patents.