

## COMPREHENSIVE SERVICES

We offer competitive repair and calibration services, as well as easily accessible documentation and free downloadable resources.

## SELL YOUR SURPLUS

We buy new, used, decommissioned, and surplus parts from every NI series. We work out the best solution to suit your individual needs.

 Sell For Cash    Get Credit    Receive a Trade-In Deal

## OBSOLETE NI HARDWARE IN STOCK & READY TO SHIP

We stock **New**, **New Surplus**, **Refurbished**, and **Reconditioned** NI Hardware.



*Bridging the gap between the manufacturer and your legacy test system.*

 1-800-915-6216

 [www.apexwaves.com](http://www.apexwaves.com)

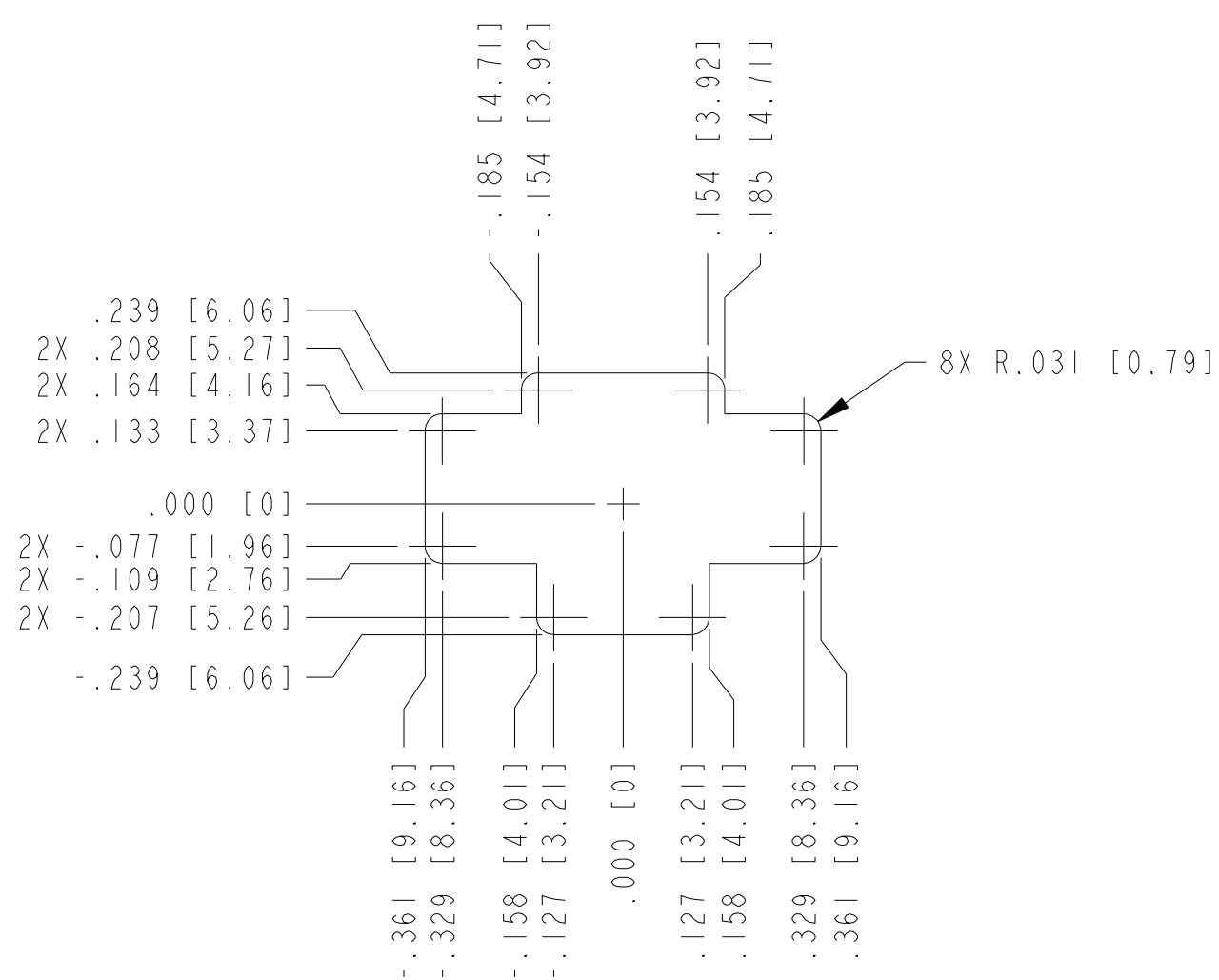
 [sales@apexwaves.com](mailto:sales@apexwaves.com)

*All trademarks, brands, and brand names are the property of their respective owners.*

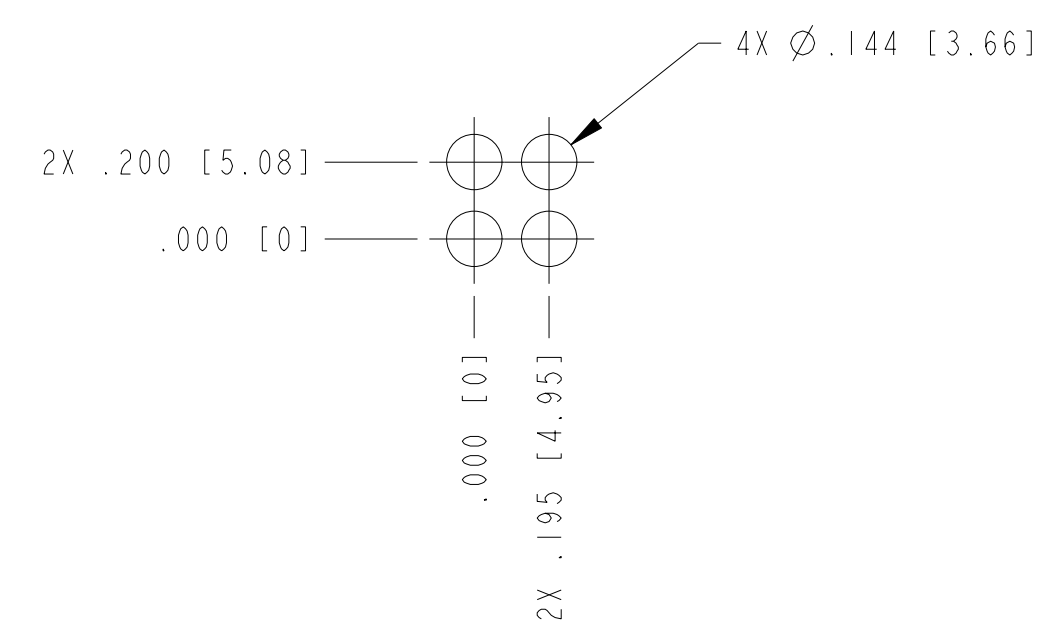
**Request a Quote**

 **CLICK HERE**

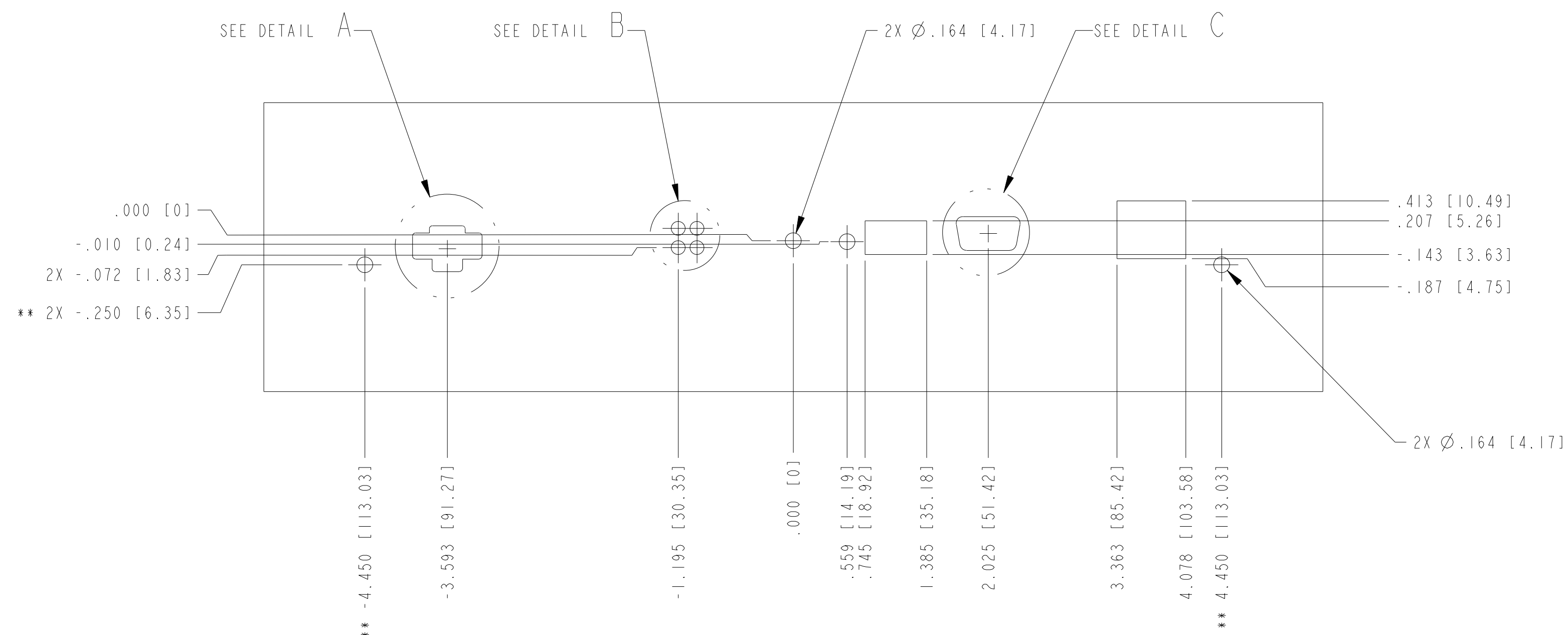
**sbRIO-9612**



DETAIL A  
 SCALE 3/1



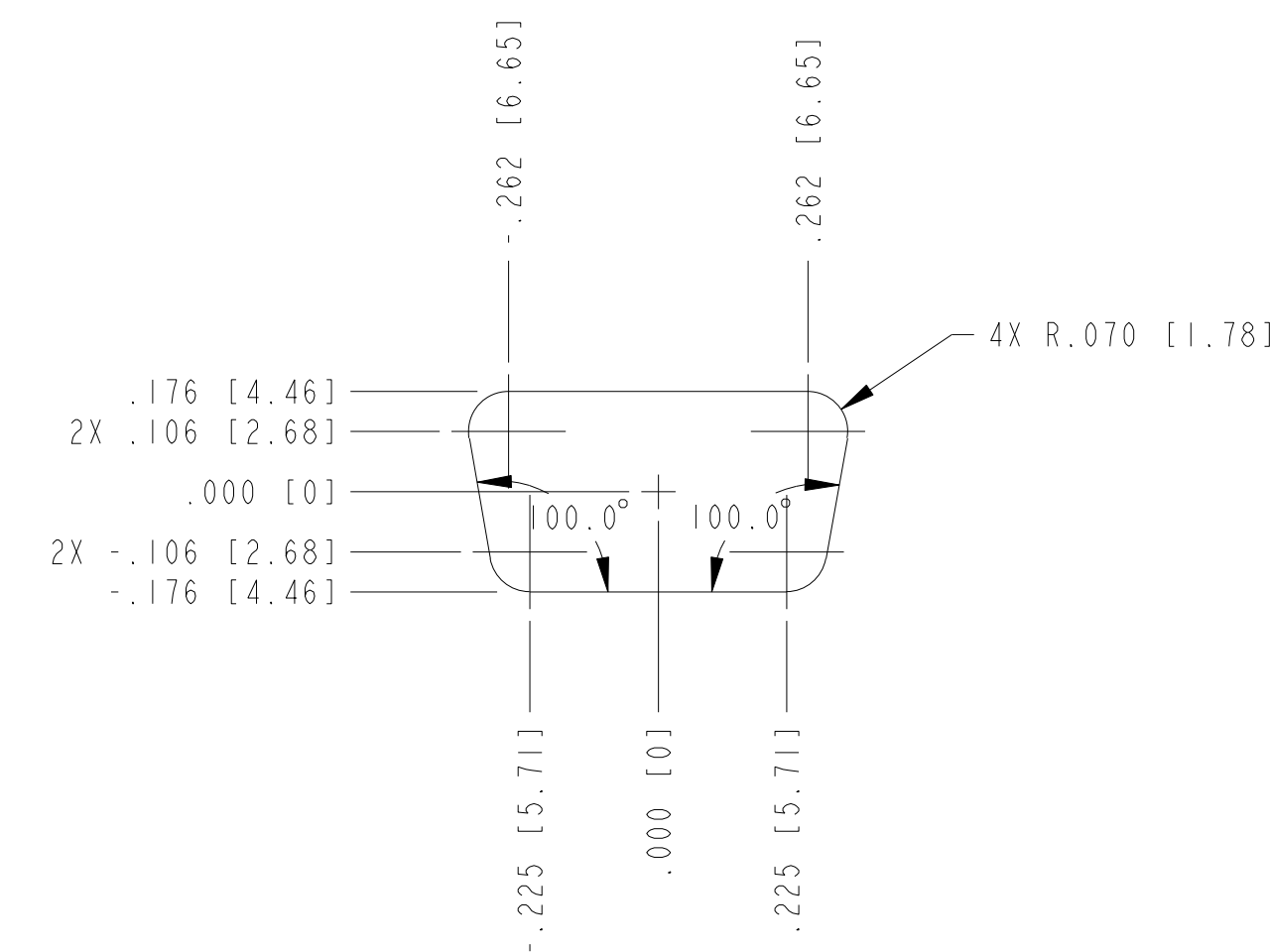
DETAIL B  
 SCALE 2/1



\*\* - THESE TWO HOLES ARE ONLY NECESSARY  
 WHEN USED WITH THE 969X STACKING KIT

WIDTH AND HEIGHT OF PLATE DEFINED BY END USER

PANEL THICKNESS NOT TO  
 EXCEED .125 [3.175]



DETAIL C  
 SCALE 3/1

UNLESS OTHERWISE SPECIFIED DIMENSIONS ARE IN INCHES AND [MILLIMETERS].	NATIONAL INSTRUMENTS® AUSTIN, TEXAS	
	TITLE CD_PANEL_MOUNT_96XX	
DO NOT SCALE DRAWING THIRD ANGLE PROJECTION	SIZE CODE IDENT NO   MM/DD/YYYY D   7U296   07/06/09	
	SCALE: 1/1	SHEET 1 OF 1