

## COMPREHENSIVE SERVICES

We offer competitive repair and calibration services, as well as easily accessible documentation and free downloadable resources.

## SELL YOUR SURPLUS

We buy new, used, decommissioned, and surplus parts from every NI series. We work out the best solution to suit your individual needs.

 Sell For Cash    Get Credit    Receive a Trade-In Deal

## OBSOLETE NI HARDWARE IN STOCK & READY TO SHIP

We stock **New**, **New Surplus**, **Refurbished**, and **Reconditioned** NI Hardware.



*Bridging the gap between the manufacturer and your legacy test system.*

 1-800-915-6216

 [www.apexwaves.com](http://www.apexwaves.com)

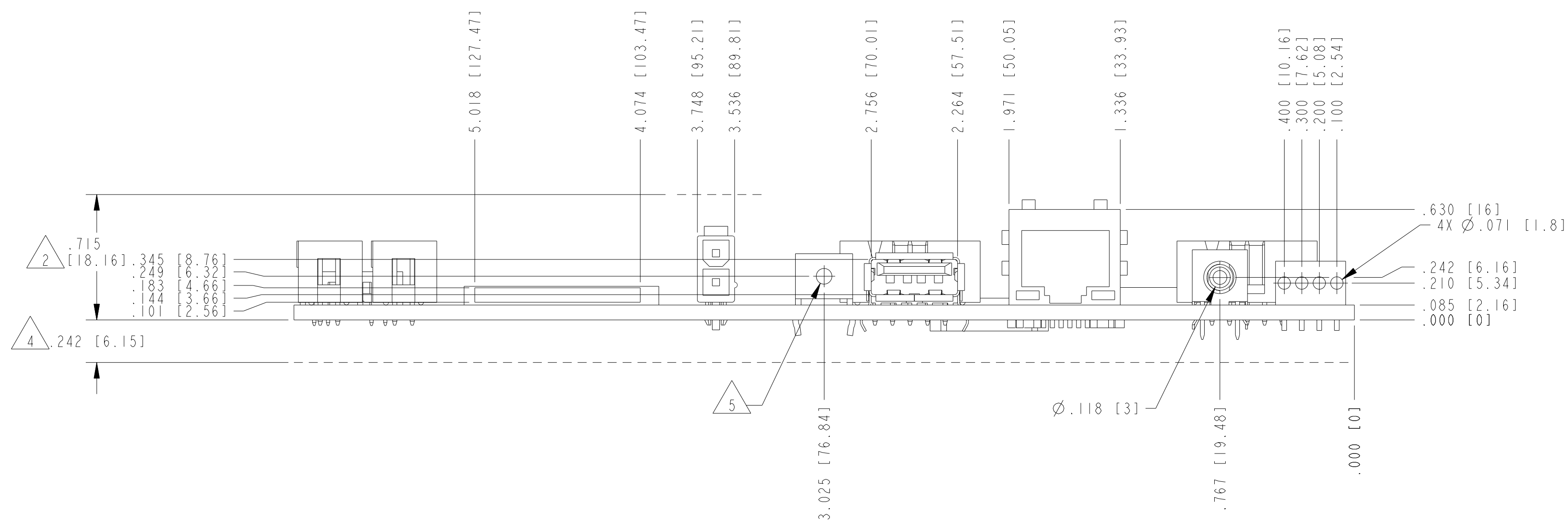
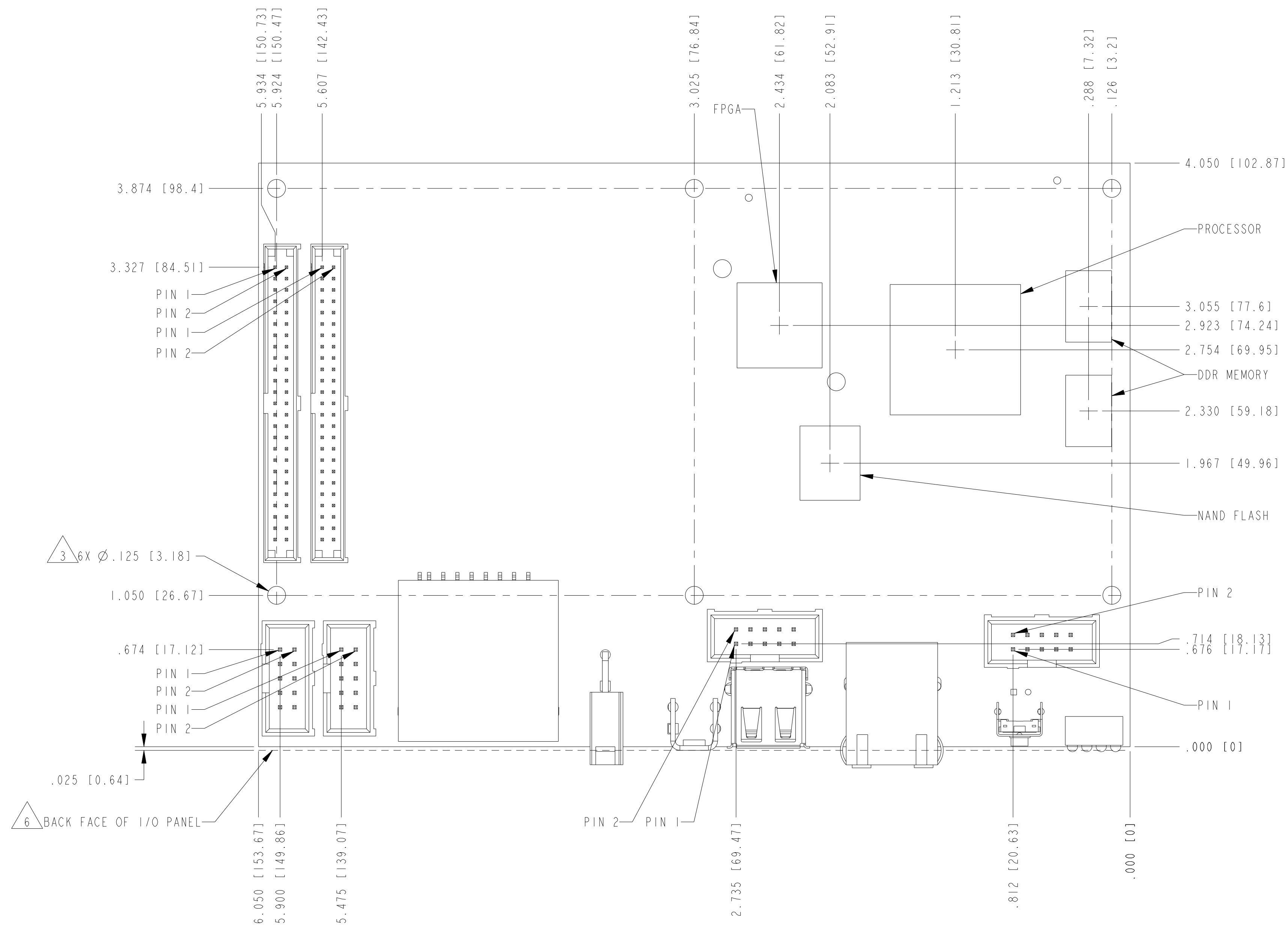
 [sales@apexwaves.com](mailto:sales@apexwaves.com)

*All trademarks, brands, and brand names are the property of their respective owners.*

**Request a Quote**

 **CLICK HERE**

**sbRIO-9636**



- 9 MAX COMPONENT HEIGHT DOES NOT INCLUDE MATED CABLES.
- 8 IT IS RECOMMENDED THAT ADJACENT PCB'S AND SURFACES BE KEPT .242 [6.15] FROM THE SECONDARY SIDE SURFACE.
- 7 IT IS RECOMMENDED THAT ADJACENT PCB'S AND SURFACES BE KEPT .750 [19.05] FROM THE PRIMARY SIDE SURFACE.
- 6 RECOMMENDED PANEL THICKNESS RANGE IS FROM .032 [0.81] TO .100 [2.54].
- 5 4-40 MAX TORQUE 3.6 IN LBS.
- 4 DAUGHTER CARD COMPONENTS SHOULD NOT EXTEND ABOVE THIS KEEPOUT LINE.
- 3 HOLES AND KEEPOUTS SIZED FOR M3 STANDOFF (4.5 HEX) OR 4-40 STANDOFF (0.1875 HEX). MAX SCREW HEAD OR STANDOFF DIAMETER OF 0.236 [6 MM].
- 2 LATCH ON MATING PLUG REQUIRES CLEARANCE UP TO THIS HEIGHT.

1. REFER TO PRODUCT MANUAL ON NI.COM FOR MORE DETAILS.  
 NOTES: UNLESS OTHERWISE SPECIFIED.

UNLESS OTHERWISE SPECIFIED DIMENSIONS ARE IN INCHES AND [MILLIMETERS].

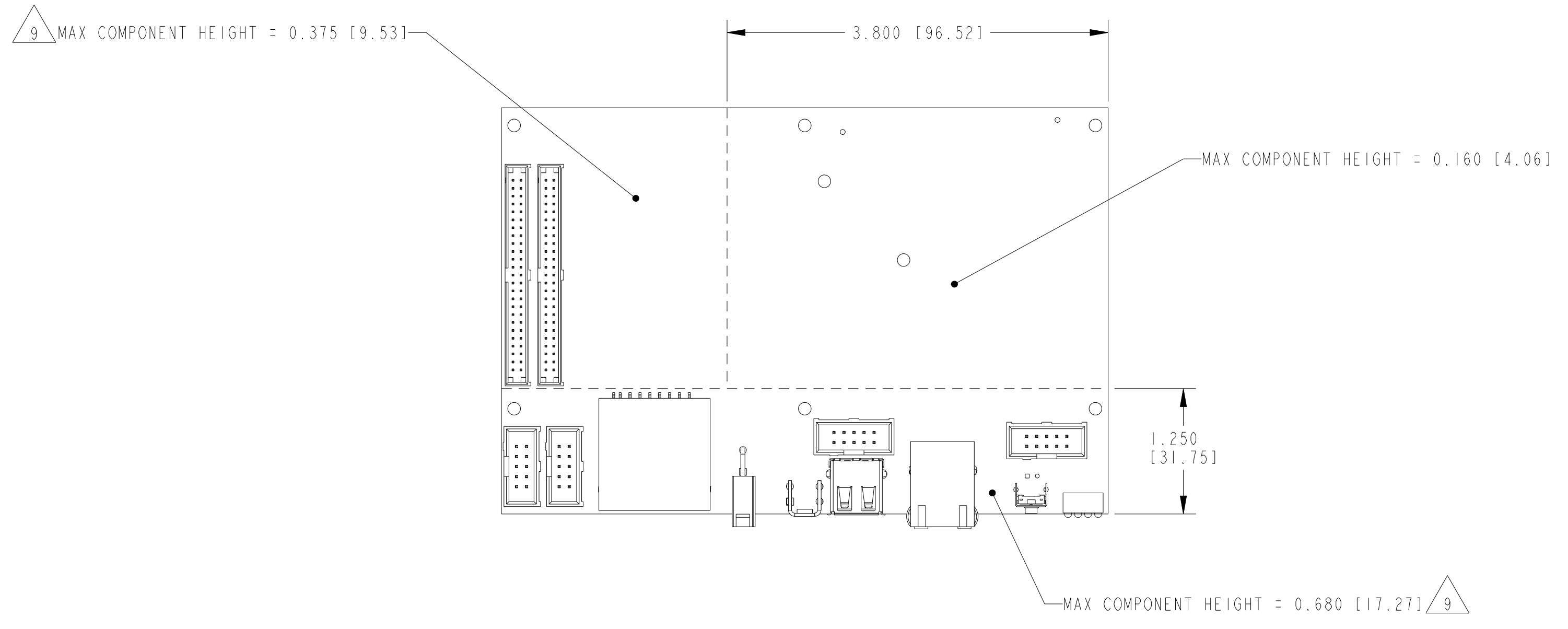
DO NOT SCALE DRAWING  
 THIRD ANGLE PROJECTION

**NATIONAL INSTRUMENTS®** AUSTIN, TEXAS

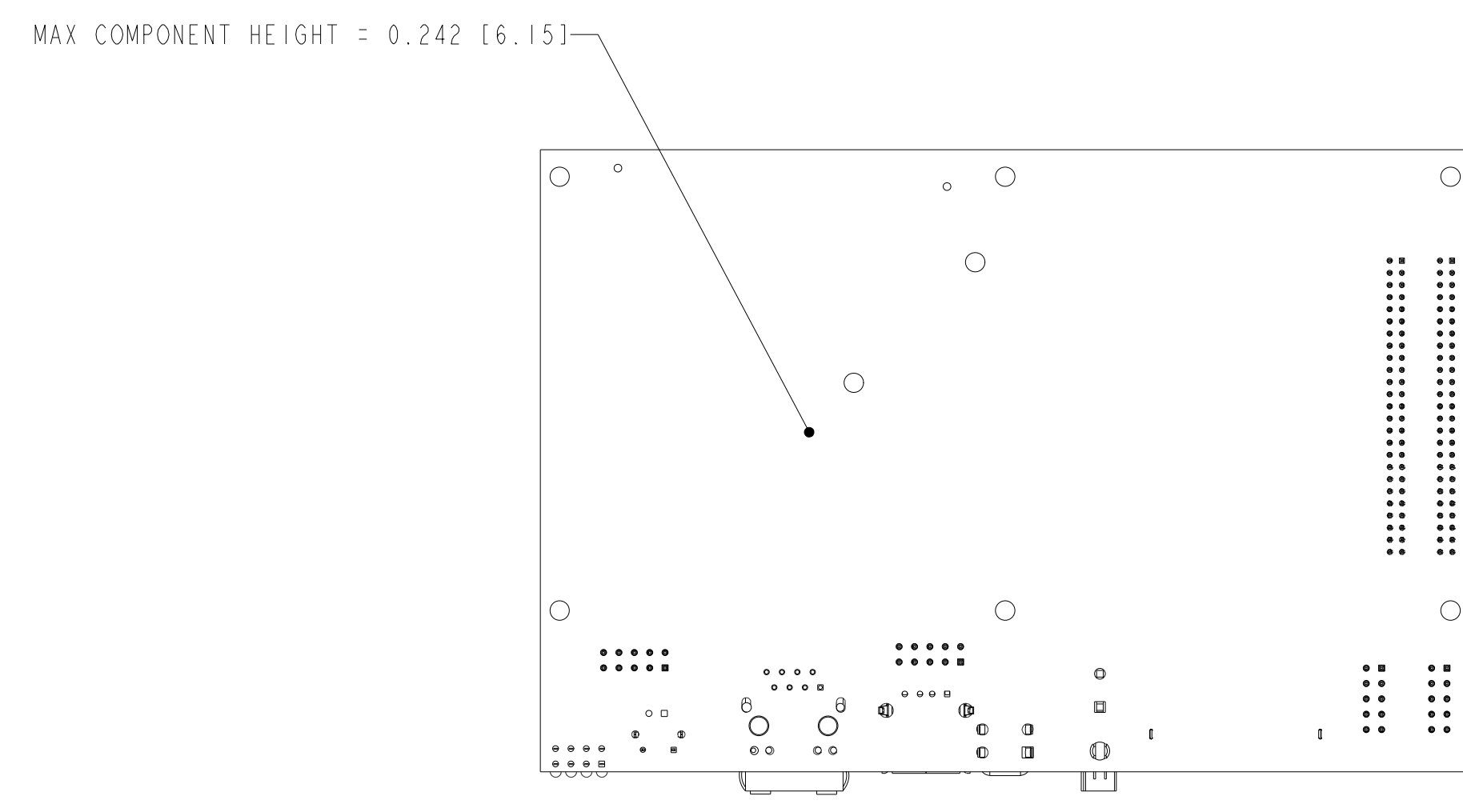
TITLE  
 CUSTOMER DRAWING,  
 sbRIO-9633\_36

SIZE CODE IDENT NO | MM/DD/YYYY  
 D | 7U296 | 03/13/2012

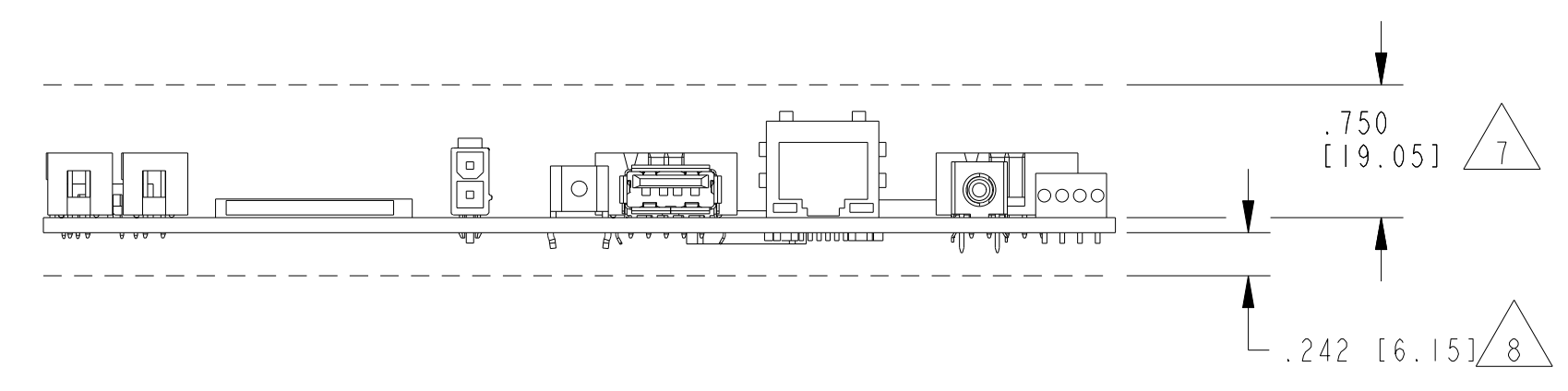
SCALE: 2/1 SHEET 1 OF 2  
 CU.SBRIO-9633.36



PRIMARY SIDE



SECONDARY SIDE



FRONT VIEW