

COMPREHENSIVE SERVICES

We offer competitive repair and calibration services, as well as easily accessible documentation and free downloadable resources.

SELL YOUR SURPLUS

We buy new, used, decommissioned, and surplus parts from every NI series. We work out the best solution to suit your individual needs.

 Sell For Cash  Get Credit  Receive a Trade-In Deal

OBSOLETE NI HARDWARE IN STOCK & READY TO SHIP

We stock **New**, **New Surplus**, **Refurbished**, and **Reconditioned** NI Hardware.



Bridging the gap between the manufacturer and your legacy test system.

 1-800-915-6216

 www.apexwaves.com

 sales@apexwaves.com

All trademarks, brands, and brand names are the property of their respective owners.

Request a Quote

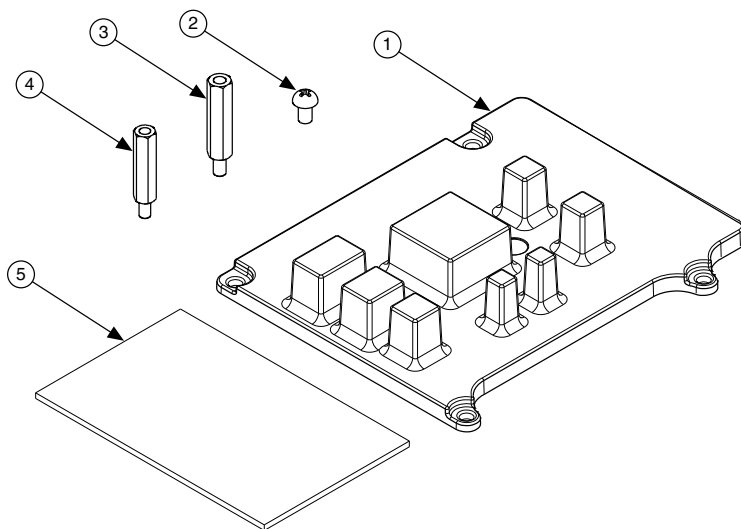
 **CLICK HERE**

sbRIO-9637

Thermal Kit for NI sbRIO-9607/9627/9637

The Thermal Kit for NI sbRIO-9607/9627/9637 is a heat spreader accessory used to improve the thermal performance of the NI sbRIO-9607/9627/9637.

Figure 1. Contents of the Thermal Kit



- | | |
|---------------------------------------|---------------------------------------|
| 1. Heat Spreader (x1) | 4. M3x16 mm Standoff, 4.5 mm Hex (x4) |
| 2. M3x8 mm Pan Head Screw (x6) | 5. Pre-Cut Gap Pad (x1) |
| 3. M3x18 mm Standoff, 4.5 mm Hex (x2) | |

Mounting and Environmental Considerations

The heat spreader provided in the Thermal Kit for NI sbRIO-9607/9627/9637 is intended to improve the thermal performance of the NI sbRIO-9607/9627/9637 by removing heat from the components that may limit the maximum operating temperature of the device.

Mount the spreader in one of the following configurations:

- With the flat face against a base mounting surface, which ideally is thermally conductive
- With the flat face exposed to air, with a heat sink optionally added to the flat face to convect heat to the surrounding environment

Select a mounting configuration that best fits your application with consideration for the following factors:

- Base mounting material
- System enclosure material
- Interactions with other heat sources in the system
- Size constraints
- Air flow availability

For information and examples on environmental and design factors that can impact the thermal performance of an NI sbRIO system, go to ni.com/info and enter the Info Code `sbriocooling`.

Gap Pad

The pre-cut gap pad included in this kit provides a thermal interface material between the heat spreader and the sbRIO device components. You must apply the gap pad to the sbRIO device before you assemble the heat spreader.

Use the following figures for reference when you complete the steps in the [Installing the Thermal Kit for NI sbRIO-9607/9627/9637](#) section.

Figure 2. Side View and Layers of Gap Pad

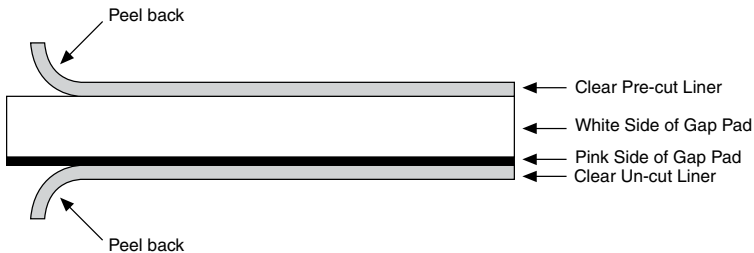
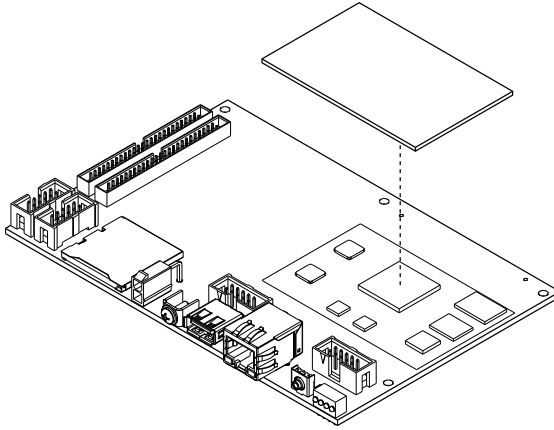


Figure 3. Gap Pad Placement on Board Surface



Installing the Thermal Kit for NI sbRIO-9607/9627/9637

What to use:

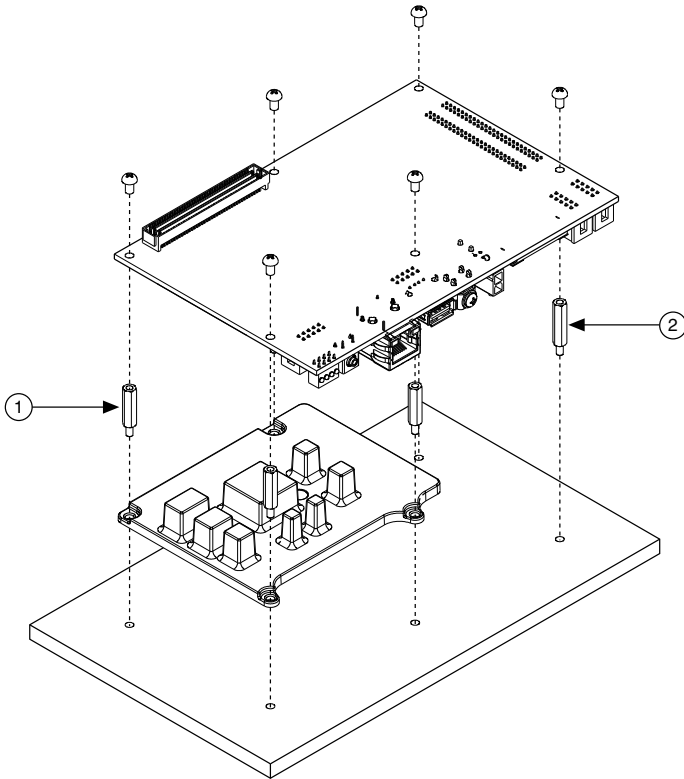
- Socket driver, 4.5 mm
- Screwdriver, Phillips #1

The section provides installation procedures for the following example configurations.

- Installing the flat face of the heat spreader to the base mounting surface
- Installing with the flat face of the heat spreader exposed to air
- Installing with a RIO Mezzanine Card

Installing the Flat Face of the Heat Spreader to the Base Mounting Surface

Figure 4. Flat Face Mated to Base Mounting Surface



1. Standoff, 16.00 mm (0.63 in.)

2. Standoff, 18.00 mm (0.71 in.)

1. Remove the liners from the gap pad and apply the white side of the pad to the outlined box on the board surface.
2. Fasten the heat spreader to the mounting surface with the provided 16 mm standoffs. Tighten completely.



Note Optionally, you can use thermal interface material between the heat spreader and mounting surface. Note that thermal interface material may affect system stack height and levelness.

3. When mounting the NI sbRIO-9627/9637, fasten the provided 18 mm standoffs to the mounting surface in the sbRIO footprint holes not used to fasten the heat spreader. Tighten completely.

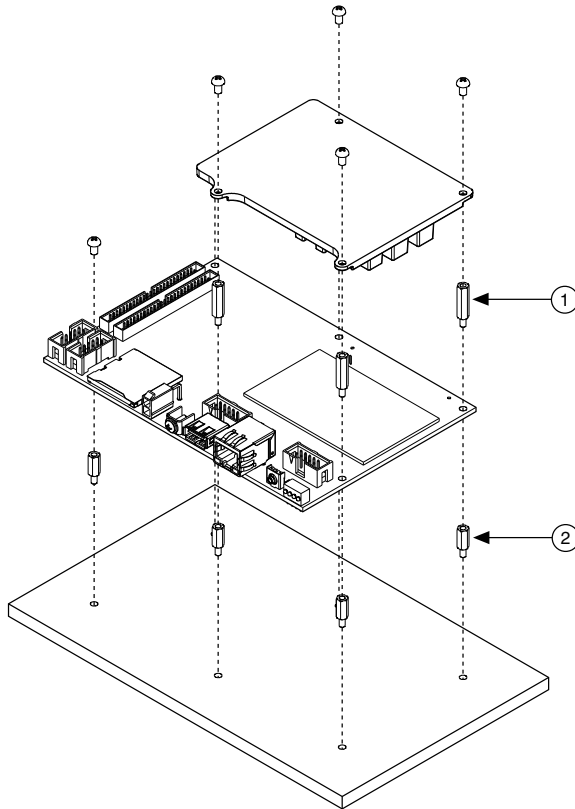
- Align the sbRIO device to standoff holes and fasten using provided screws. Use caution when aligning the sbRIO device. Once it has been fastened, separating the heat spreader and sbRIO device will be difficult and could potentially damage components.



Caution The gap pad is a viscoelastic material and compressing it too quickly places a large amount of stress on board components. If you must use an automatic screwdriver, fasten these screws at a rate less than 4.23 mm/s (10 in./min.) to prevent damage during assembly.

Installing With the Flat Face of the Heat Spreader Exposed to Air

Figure 5. Flat Face Exposed to Air



- Standoff, 16.00 mm (0.63 in.)
- Standoff (not provided)

- Remove the liners from the gap pad and apply the white side of the pad to the outlined box on the board surface.
- Fasten standoffs (not provided) to the mounting surface.

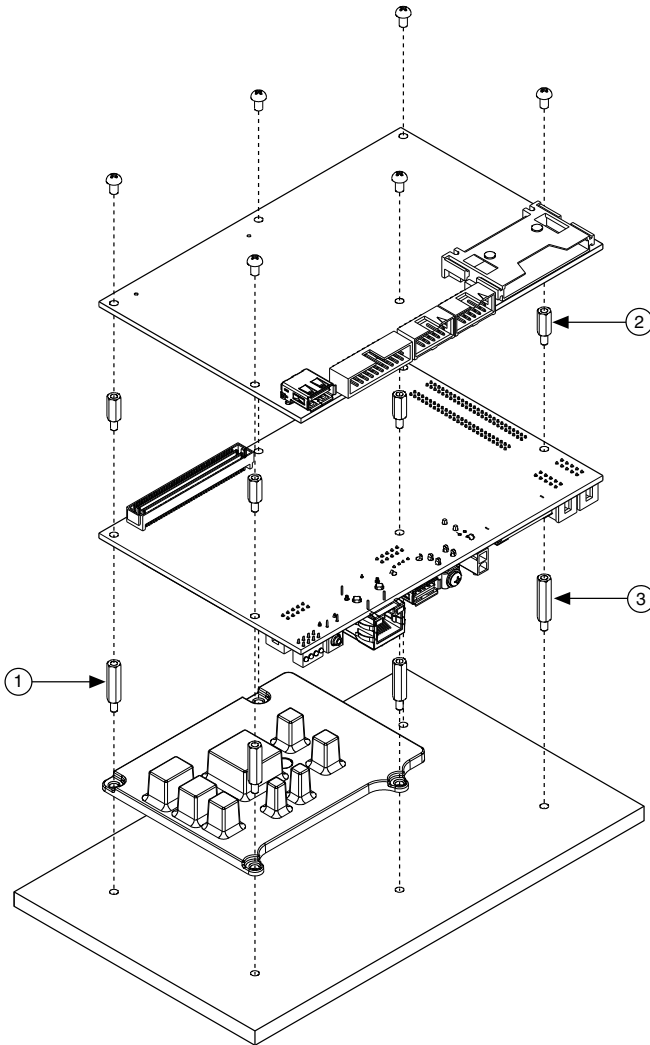
3. Align the sbRIO device on standoffs and fasten using provided 16 mm standoffs. When mounting the NI sbRIO-9627/9637, fasten the last two holes with provided screws. Tighten completely.
4. Align the heat spreader to standoff holes and fasten using provided screws. Use caution when aligning the heat spreader. Once it has been fastened, separating the heat spreader and sbRIO device will be difficult and could potentially damage components.



Caution The gap pad is a viscoelastic material and compressing it too quickly places a large amount of stress on board components. If you must use an automatic screwdriver, fasten these screws at a rate less than 4.23 mm/s (10 in./min.) to prevent damage during assembly.

Installing With a RIO Mezzanine Card (RMC)

Figure 6. With RMC



1. Standoff, 16.00 mm (0.63 in.)
2. Standoff (not provided)
3. Standoff, 18.00 mm (0.71 in.)



Note You can use an RMC with the heat spreader in either mounting orientation. However, the standoffs used to separate the sbRIO and the RMC are not provided in

this kit. The following figure shows one example of an RMC being installed to an NI sbRIO-9627 with the flat face of the heat spreader mated to the base mounting surface.

1. Remove the liners from the gap pad and apply the white side of the pad to the outlined box on the board surface.
2. Fasten the heat spreader to the mounting surface with the provided 16 mm standoffs. Tighten completely.



Note Optionally, you can use thermal interface material between the heat spreader and mounting surface. Note that thermal interface material may affect system stack height and levelness.

3. When mounting the NI sbRIO-9627, fasten the provided 18 mm standoffs to mounting surface in the sbRIO footprint holes not used to fasten the heat spreader. Tighten completely.
4. Align the sbRIO device to standoff holes and fasten using standoffs of the proper height (not provided). Refer to your sbRIO device user manual on ni.com/manuals for information about selecting the proper standoff height. Use caution when aligning the sbRIO device. Once it has been fastened, separating the heat spreader and sbRIO device will be difficult and could potentially damage components.



Caution The gap pad is a viscoelastic material and compressing it too quickly places a large amount of stress on board components. If you must use an automatic screwdriver, fasten these screws at a rate less than 4.23 mm/s (10 in./min.) to prevent damage during assembly.

5. Align the RMC to the standoff holes and mate the RMC connectors. Fasten using the provided screws.

Specifications

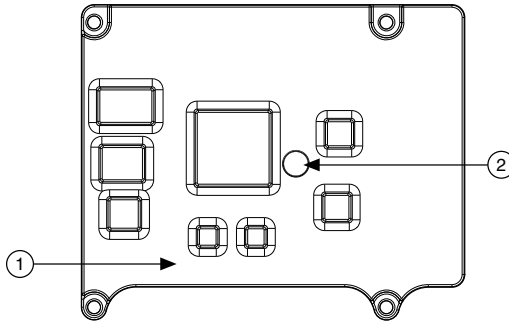
Physical Characteristics

Torque for screws	0.56 N · m (5.0 lb · in)
Weight	125.1 g (4.413 oz)

Environmental

Systems that use the heat spreader included in this kit must still validate an sbRIO device by following the product specifications document on ni.com/manuals. When validating thermal performance using the analog method, you can optionally measure the heat spreader temperature instead of measuring the individual component case temperatures. The heat spreader temperature must not exceed 85 °C when measured in the designated center depression. Regardless of validation method, ensure that the CPU/FPGA reported onboard temperature sensor does not exceed the maximum value listed in the product specifications document on ni.com/manuals.

Figure 7. Heat Spreader Temperature Measurement Location



1. Heat Spreader
2. Center Depression



Note For information and examples on environmental and design factors that can impact the thermal performance of an NI sbRIO system, visit ni.com/info and enter the Info Code `sbriocooling`.

Environmental Management

NI is committed to designing and manufacturing products in an environmentally responsible manner. NI recognizes that eliminating certain hazardous substances from our products is beneficial to the environment and to NI customers.

For additional environmental information, refer to the *Minimize Our Environmental Impact* web page at ni.com/environment. This page contains the environmental regulations and directives with which NI complies, as well as other environmental information not included in this document.

Waste Electrical and Electronic Equipment (WEEE)



EU Customers At the end of the product life cycle, all NI products must be disposed of according to local laws and regulations. For more information about how to recycle NI products in your region, visit ni.com/environment/weee.

电子信息产品污染控制管理办法（中国 RoHS）



中国客户 National Instruments 符合中国电子信息产品中限制使用某些有害物质指令 (RoHS)。关于 National Instruments 中国 RoHS 合规性信息, 请登录 ni.com/environment/rohs_china。(For information about China RoHS compliance, go to ni.com/environment/rohs_china.)

Worldwide Support and Services

The National Instruments website is your complete resource for technical support. At ni.com/support, you have access to everything from troubleshooting and application development self-help resources to email and phone assistance from NI Application Engineers.

Visit ni.com/services for NI Factory Installation Services, repairs, extended warranty, and other services.

Visit ni.com/register to register your National Instruments product. Product registration facilitates technical support and ensures that you receive important information updates from NI.

National Instruments corporate headquarters is located at 11500 North Mopac Expressway, Austin, Texas, 78759-3504. National Instruments also has offices located around the world. For telephone support in the United States, create your service request at ni.com/support or dial 1 866 ASK MYNI (275 6964). For telephone support outside the United States, visit the *Worldwide Offices* section of ni.com/niglobal to access the branch office websites, which provide up-to-date contact information, support phone numbers, email addresses, and current events.

Refer to the *NI Trademarks and Logo Guidelines* at ni.com/trademarks for information on National Instruments trademarks. Other product and company names mentioned herein are trademarks or trade names of their respective companies. For patents covering National Instruments products/technology, refer to the appropriate location: **Help»Patents** in your software, the `patents.txt` file on your media, or the *National Instruments Patent Notice* at ni.com/patents. You can find information about end-user license agreements (EULAs) and third-party legal notices in the readme file for your NI product. Refer to the *Export Compliance Information* at ni.com/legal/export-compliance for the National Instruments global trade compliance policy and how to obtain relevant HTS codes, ECCNs, and other import/export data. NI MAKES NO EXPRESS OR IMPLIED WARRANTIES AS TO THE ACCURACY OF THE INFORMATION CONTAINED HEREIN AND SHALL NOT BE LIABLE FOR ANY ERRORS. U.S. Government Customers: The data contained in this manual was developed at private expense and is subject to the applicable limited rights and restricted data rights as set forth in FAR 52.227-14, DFAR 252.227-7014, and DFAR 252.227-7015.

© 2015 National Instruments. All rights reserved.

375546A-01 Aug15