



National Instruments PXIe-7862 Manual
Get Pricing & Availability at
ApexWaves.com

Call Today: 1-800-915-6216
Email: sales@apexwaves.com

<https://www.apexwaves.com/modular-systems/national-instruments/r-series/PXIe-7862>

NI PXIe-7862

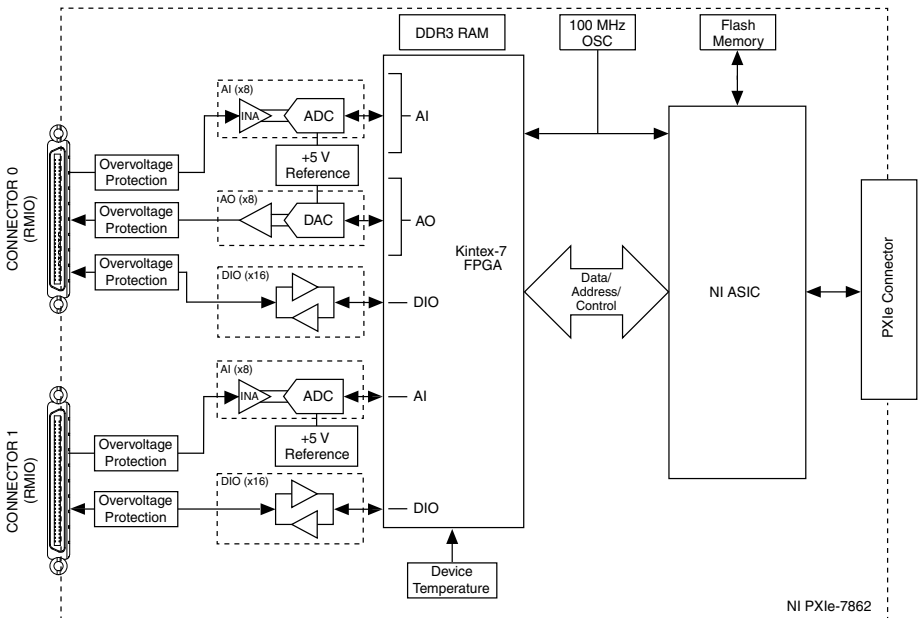
R Series Reconfigurable I/O Module (AI, AO, DIO) for PXI Express, 16 AI, 8 AO, 32 DIO, 1 MS/s AIO, 512 MB DRAM, Kintex-7 325T FPGA

This document provides compliance, pinout, connectivity, mounting, and power information for the NI PXIe-7862.

Hardware Overview

The following high-level block diagram represents the NI PXIe-7862.

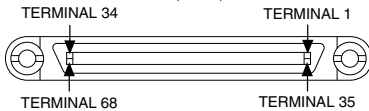
Figure 1. NI PXIe-7862 Block Diagram



Pinout

AI0+	68	34	AI0-		AI8+	68	34	AI8-	
AIGND0	67	33	AIGND1		AIGND8	67	33	AIGND9	
AI1+	66	32	AI1-		AI9+	66	32	AI9-	
AI2+	65	31	AI2-		AI10+	65	31	AI10-	
AIGND2	64	30	AIGND3		AIGND10	64	30	AIGND11	
AI3+	63	29	AI3-		AI11+	63	29	AI11-	
AI4+	62	28	AI4-		AI12+	62	28	AI12-	
AIGND4	61	27	AIGND5		AIGND12	61	27	AIGND13	
AI5+	60	26	AI5-		AI13+	60	26	AI13-	
AI6+	59	25	AI6-		AI14+	59	25	AI14-	
AIGND6	58	24	AIGND7		AIGND14	58	24	AIGND15	
AI7+	57	23	AI7-		AI15+	57	23	AI15-	
AISENSE0	56	22	NC		AISENSE1	56	22	NC	
AO0	55	21	AOGND0		NC	55	21	NC	
AO1	54	20	AOGND1		NC	54	20	NC	
AO2	53	19	AOGND2		NC	53	19	NC	
AO3	52	18	AOGND3		NC	52	18	NC	
AO4	51	17	AOGND4		NC	51	17	NC	
AO5	50	16	AOGND5		NC	50	16	NC	
AO6	49	15	AOGND6		NC	49	15	NC	
AO7	48	14	AOGND7		NC	48	14	NC	
DIO15	47	13	DIO14		DIO15	47	13	DIO14	
DIO13	46	12	DIO12		DIO13	46	12	DIO12	
DIO11	45	11	DIO10		DIO11	45	11	DIO10	
DIO9	44	10	DIO8		DIO9	44	10	DIO8	
DIO7	43	9	DGND		DIO7	43	9	DGND	
DIO6	42	8	DGND		DIO6	42	8	DGND	
DIO5	41	7	DGND		DIO5	41	7	DGND	
DIO4	40	6	DGND		DIO4	40	6	DGND	
DIO3	39	5	DGND		DIO3	39	5	DGND	
DIO2	38	4	DGND		DIO2	38	4	DGND	
DIO1	37	3	DGND		DIO1	37	3	DGND	
DIO0	36	2	DGND		DIO0	36	2	DGND	
+5V	35	1	+5V		+5V	35	1	+5V	

CONNECTOR 0 (RMIO)



CONNECTOR 1 (RMIO)

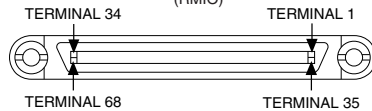


Table 1. NI PXIe-7862 Signal Descriptions

Signal	Description
AI+	Positive analog input signal connection
AI-	Negative analog input signal connection

Table 1. NI PXIe-7862 Signal Descriptions (Continued)

Signal	Description
AISENSE	Reference connection for NRSE measurements
AIGND	Ground reference for the analog input signal
AO	Analog output signal connection
AOGND	Ground reference for the analog output signal
DIO	Digital input/output signal connection
DGND	Ground reference for the digital signal
GND	Ground connection
Supply (+5 V _{out})	5 V power output connection for external devices
NC	No connection

The NI PXIe-7862 is protected from overvoltage and overcurrent conditions.



Note Refer to the *NI PXIe-7862 Specifications*, available at ni.com/manuals for more information.



Note The pinout label on the lid of the SCB-68A accessory is incompatible with the NI PXIe-7862. Refer to the *NI 78xxR Pinout Labels for the SCB-68A*, available at ni.com/manuals for the compatible pinout labels.

Connectivity Options

Use the following connection accessories and cables to access the signals on the I/O connectors.

Table 2. Connection Accessories and Cables

Connector Type	Accessory	Description	NI Part Number
RMIO	NI SCB-68A	Noise Rejecting, Shielded I/O Connector Block	782536-01
	NI SHC68-68-RMIO	RMIO Shielded Cable, 68 pin D-Type to 68 pin VHDCI (1 m)	189588-01
		RMIO Shielded Cable, 68 pin D-Type to 68 pin VHDCI (2 m)	189588-02

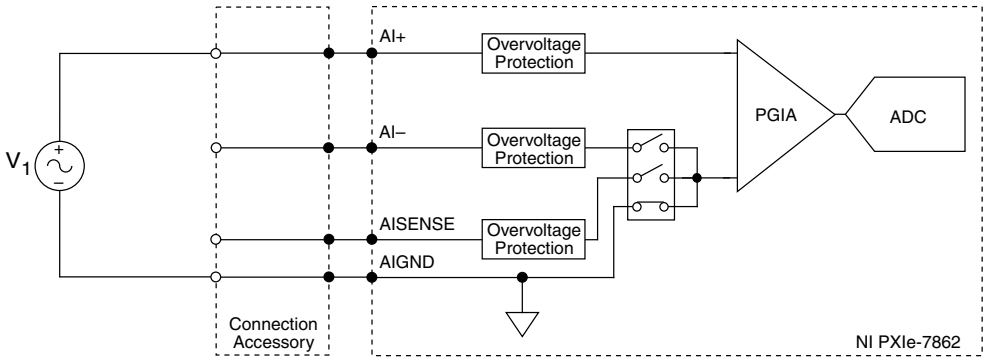
Analog Input

The NI PXIe-7862 provides connections for 16 AI channels. Each channel has an AI+ pin, AI- pin, and AIGND pin to which you can connect both single-ended or differential voltage signals. Use the AISENSE pin to connect non-referenced single-ended signals.

Connecting Single-Ended Voltage Signals

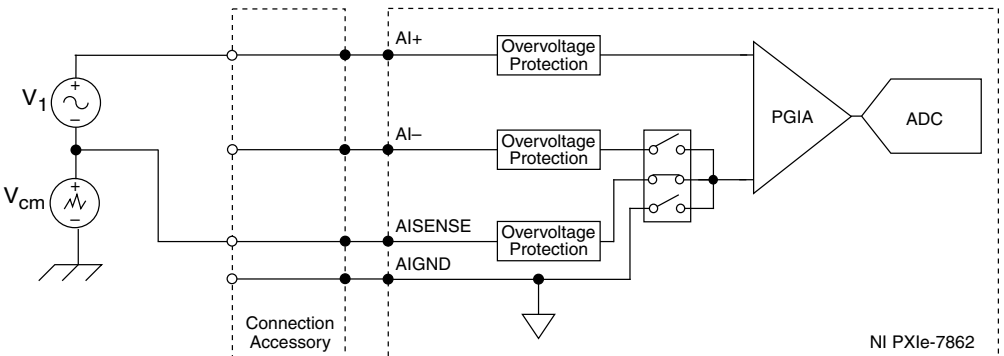
To connect referenced single-ended voltage signals to the NI PXIe-7862, you must connect the voltage ground signal to AI GND in order to keep the common-mode voltage in the specified range.

Figure 2. Connecting Referenced Single-Ended Signals to the NI PXIe-7862



To connect non-referenced single-ended voltage signals to the NI PXIe-7862, you must connect the voltage ground signal to AI SENSE in order to keep the common-mode voltage in the specified range.

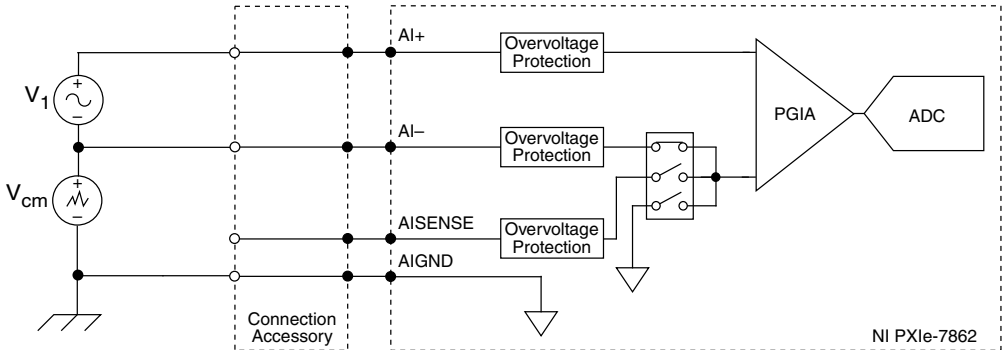
Figure 3. Connecting Non-Referenced Single-Ended Signals to the NI PXIe-7862



Connecting Differential Voltage Signals

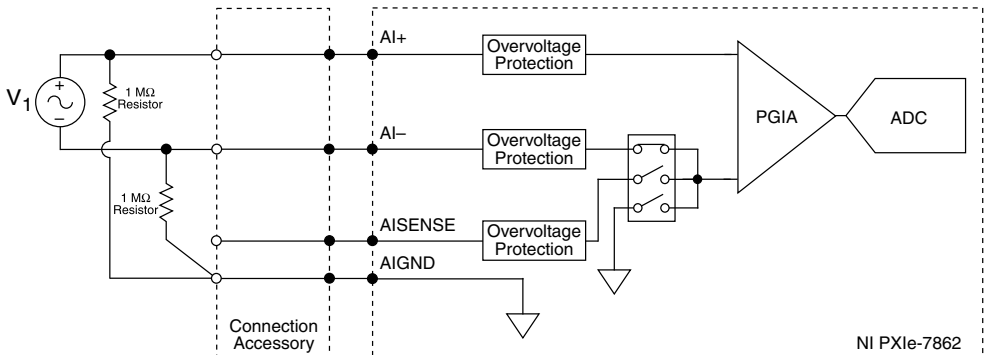
You can connect grounded or floating differential signal sources to the NI PXIe-7862. Connect the positive voltage signal to the AI+ and the negative voltage signal to AI-. To connect grounded differential signals to the NI PXIe-7862, you must also connect the signal reference to AI GND.

Figure 4. Connecting Grounded Differential Signals to the NI PXIe-7862



To connect floating differential signals to the NI PXIe-7862, you must connect the negative and positive signals to AI GND through $1\text{ M}\Omega$ resistors to keep the voltage within the common-mode voltage range. If the voltage source is outside the common-mode voltage range, the NI PXIe-7862 does not read data accurately.

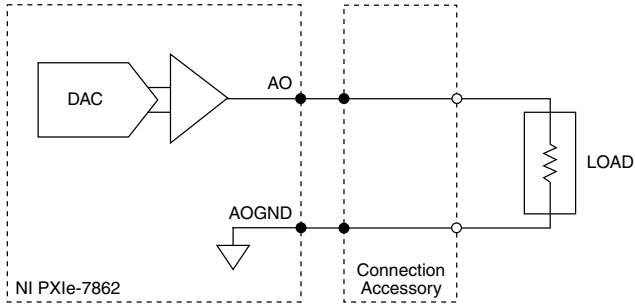
Figure 5. Connecting Floating Differential Signals to the NI PXIe-7862



Analog Output

The NI PXIe-7862 provides connections for eight analog output channels. Each channel has an AO pin and AOGND pin to which you can connect a load.

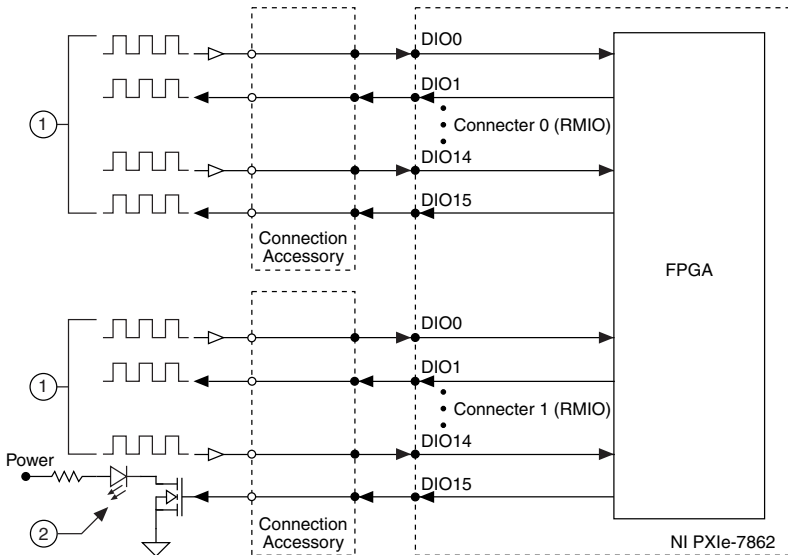
Figure 6. Connecting a Load



Digital I/O

The NI PXIe-7862 provides connections for 32 digital input/output (DIO) channels. Connector 0 and Connector 1 each contains 16 low-speed channels that can run up to 10 MHz signal frequencies. Each connector has a fixed logic level of 3.3 V. You can configure each channel as input or output.

Figure 7. Connecting to the DIO Channels



1. Low-speed signal frequencies up to 10 MHz with logic levels configured as 3.3 V.
2. LED

The DIO channels, which have overvoltage and undervoltage protection as well as over current protection, connect to the FPGA. Refer to the device specifications on ni.com/manuals for more information about the maximum voltage and current.

When the system powers on, the DIO channels are set as input low with pull-down resistors. To set another power-on state, you can configure the NI PXIe-7862 to load a VI when the system powers on. The VI can then set the DIO lines to any power-on state. Visit ni.com/info and enter `RSeries_PowerUpStates` to learn more about configuring the power-up states for the NI PXIe-7862.

All the DIO channels on each connector are routed with a 50 Ω characteristic trace impedance. Route all external circuitry with a similar impedance to ensure best signal quality. NI recommends performing signal integrity measurements to test the affect of signal routing with the cable and connection accessory for your application.

Field Wiring Considerations

Environmental noise can seriously affect the measurement accuracy of the device if you do not take proper care when running signal wire between signal sources and the device. The following recommendations mainly apply to AI signal routing to the device, as well as signal routing in general.

Take the following precautions to minimize noise pickup and maximize measurement accuracy:

- Use differential AI connections to reject common-mode noise.
- Use individually shielded, twisted-pair wires to connect AI signals to the device. With this type of wire, the signal attached to the positive and negative inputs are twisted together and then covered with a shield. You then connect this shield only at one point to the signal source ground. This kind of connection is required for signals traveling through areas with large magnetic fields or high electromagnetic interference.
- Route signals to the device carefully. Keep cabling away from noise sources, such as video monitors and analog signals.

Use the following recommendations for all signal connections to the NI PXIe-7862:

- Separate NI PXIe-7862 signal lines from high-current or high-voltage lines. These lines can induce currents in or voltages on the NI PXIe-7862 signal lines if they run in parallel paths at a close distance. To reduce the magnetic coupling between lines, separate them by a reasonable distance if they run in parallel or run the lines at right angles to each other.
- Do not run signal lines through conduits that also contain power lines.
- Protect signal lines from magnetic fields caused by electric motors, welding equipment, breakers, or transformers by running them through special metal conduits.

+5 V Power Source

Use the +5 V terminals on the I/O connector supply +5 V referenced to DGND to power external circuitry.



Caution Never connect the +5 V power terminals to analog or digital ground or any other voltage source on the NI PXIe-7862 or any other device. Doing so can

damage the device and the computer. National Instruments is not liable for damage resulting from such a connection.

The power rating is 4.75 to 5.1 V DC at 0.5 A per connector.

Worldwide Support and Services

The NI website is your complete resource for technical support. At ni.com/support, you have access to everything from troubleshooting and application development self-help resources to email and phone assistance from NI Application Engineers.

Visit ni.com/services for information about the services NI offers.

Visit ni.com/register to register your NI product. Product registration facilitates technical support and ensures that you receive important information updates from NI.

A Declaration of Conformity (DoC) is our claim of compliance with the Council of the European Communities using the manufacturer's declaration of conformity. This system affords the user protection for electromagnetic compatibility (EMC) and product safety. You can obtain the DoC for your product by visiting ni.com/certification. If your product supports calibration, you can obtain the calibration certificate for your product at ni.com/calibration.

NI corporate headquarters is located at 11500 North Mopac Expressway, Austin, Texas, 78759-3504. NI also has offices located around the world. For support in the United States, create your service request at ni.com/support or dial 1 866 ASK MYNI (275 6964). For support outside the United States, visit the *Worldwide Offices* section of ni.com/global to access the branch office websites, which provide up-to-date contact information.

Information is subject to change without notice. Refer to the *NI Trademarks and Logo Guidelines* at ni.com/trademarks for information on NI trademarks. Other product and company names mentioned herein are trademarks or trade names of their respective companies. For patents covering NI products/technology, refer to the appropriate location: **Help>Patents** in your software, the `patents.txt` file on your media, or the *National Instruments Patent Notice* at ni.com/patents. You can find information about end-user license agreements (EULAs) and third-party legal notices in the `readme` file for your NI product. Refer to the *Export Compliance Information* at ni.com/legal/export-compliance for the NI global trade compliance policy and how to obtain relevant HTS codes, ECCNs, and other import/export data. NI MAKES NO EXPRESS OR IMPLIED WARRANTIES AS TO THE ACCURACY OF THE INFORMATION CONTAINED HEREIN AND SHALL NOT BE LIABLE FOR ANY ERRORS. U.S. Government Customers: The data contained in this manual was developed at private expense and is subject to the applicable limited rights and restricted data rights as set forth in FAR 52.227-14, DFAR 252.227-7014, and DFAR 252.227-7015.

© 2018 National Instruments. All rights reserved.

378046A-03 March 13, 2018